



US00D940627S

(12) **United States Design Patent**  
**Bjerke**

(10) **Patent No.:** **US D940,627 S**

(45) **Date of Patent:** **\*\* Jan. 11, 2022**

(54) **VEHICLE RIM**

(71) Applicant: **VOLVO CAR CORPORATION,**  
Gothenburg (SE)

(72) Inventor: **Ole-Kristian Bjerke,** Gothenburg (SE)

(73) Assignee: **VOLVO CAR CORPORATION,**  
Gothenburg (SE)

(\*\*) Term: **15 Years**

(21) Appl. No.: **29/741,921**

(22) Filed: **Jul. 16, 2020**

(30) **Foreign Application Priority Data**

Jan. 31, 2020 (EM) ..... 007574512-0003

(51) **LOC (13) Cl.** ..... **12-16**

(52) **U.S. Cl.**  
USPC ..... **D12/209**

(58) **Field of Classification Search**  
USPC ..... D12/204–213; D21/563  
CPC .... B60B 7/00; B60B 7/02; B60B 7/04; B60B  
7/01; B60B 7/06; B60B 3/02; B60B 3/04;  
B60B 3/06; B60B 3/10; B60B 1/00;  
B60B 1/08; B60B 1/10; B60B 1/12  
See application file for complete search history.

(56) **References Cited**

**U.S. PATENT DOCUMENTS**

D477,557 S *	7/2003	Iacovelli .....	D12/211
D596,552 S *	7/2009	Beermann .....	D12/211
D658,560 S *	5/2012	Thurner .....	D12/209
D688,185 S *	8/2013	Baum .....	D12/209
D697,016 S *	1/2014	Gonser .....	D12/211
D704,119 S *	5/2014	Platto .....	D12/209

D705,153 S *	5/2014	Hall .....	D12/209
D715,723 S *	10/2014	Gotschke .....	D12/211
D718,207 S *	11/2014	Grake .....	D12/211
D748,559 S *	2/2016	Zhao .....	D12/211
D775,577 S *	1/2017	Holstein .....	D12/211
D824,832 S *	8/2018	Oh .....	D12/209
D832,180 S *	10/2018	Platto .....	D12/211
D849,641 S *	5/2019	Tovey .....	D12/209
D852,703 S *	7/2019	De Jung .....	D12/209
D852,712 S *	7/2019	Khachatryan .....	D12/211
D853,301 S *	7/2019	Hahn .....	D12/209
D860,101 S *	9/2019	Bjerke .....	D12/209
D878,273 S *	3/2020	Tovey .....	D12/209
D887,937 S *	6/2020	Platto .....	D12/209
D888,640 S *	6/2020	Hough .....	D12/209
D906,933 S *	1/2021	Li .....	D12/209
D915,979 S *	4/2021	Shida .....	D12/209

\* cited by examiner

*Primary Examiner* — Stacia A Cadmus

(74) *Attorney, Agent, or Firm* — Berenato & White, LLC

(57) **CLAIM**

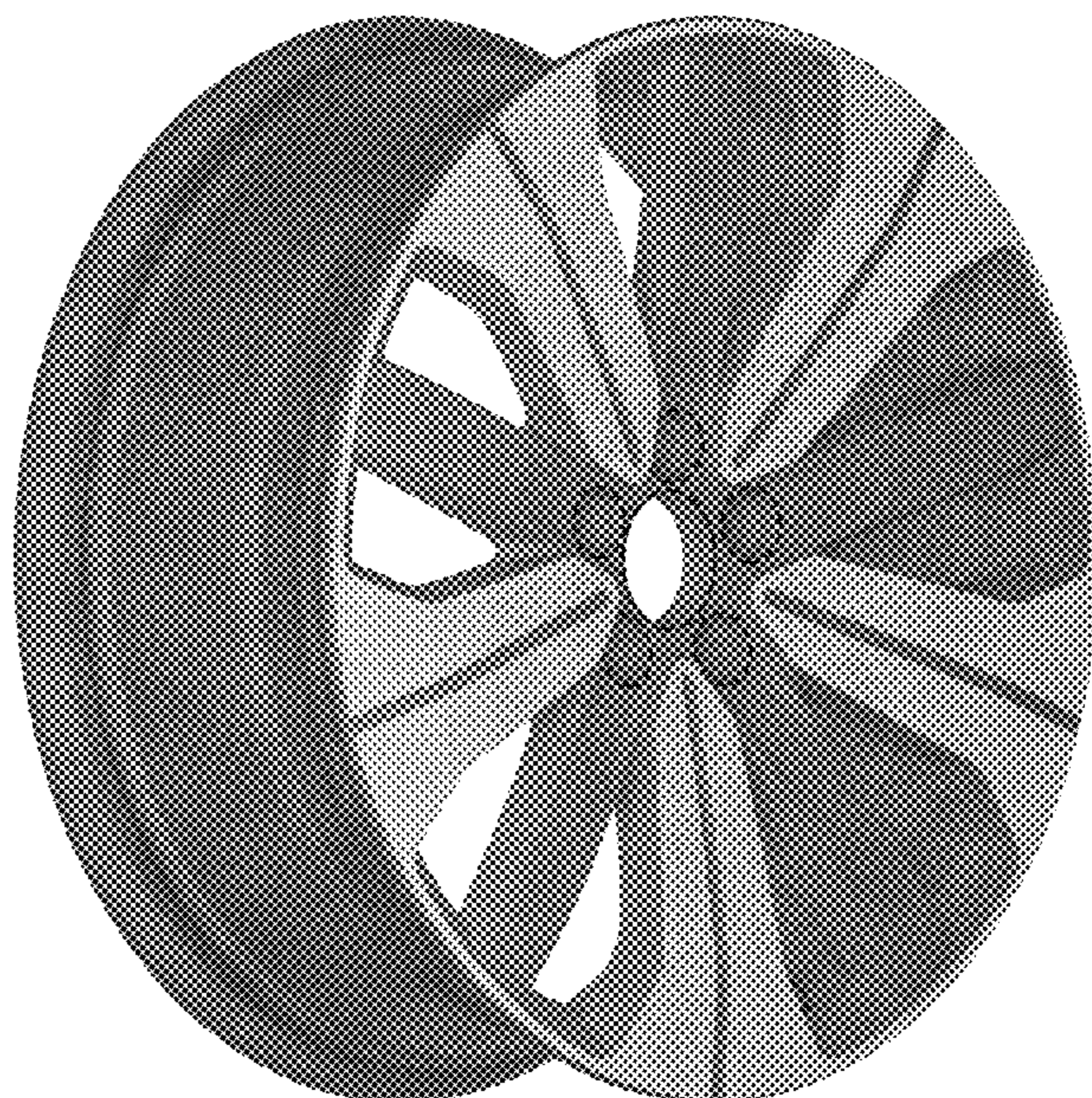
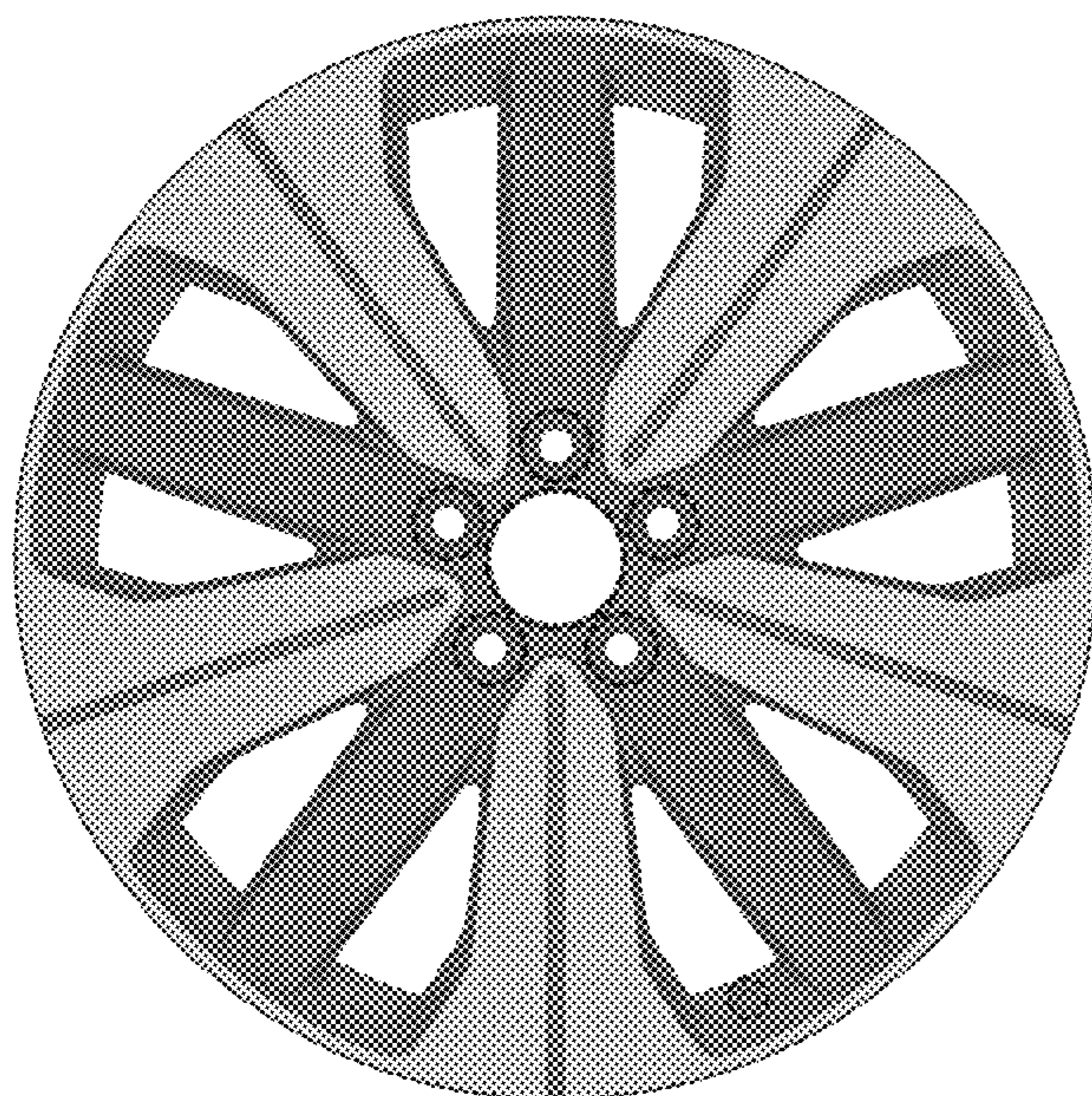
The ornamental design for a vehicle rim, as shown and described.

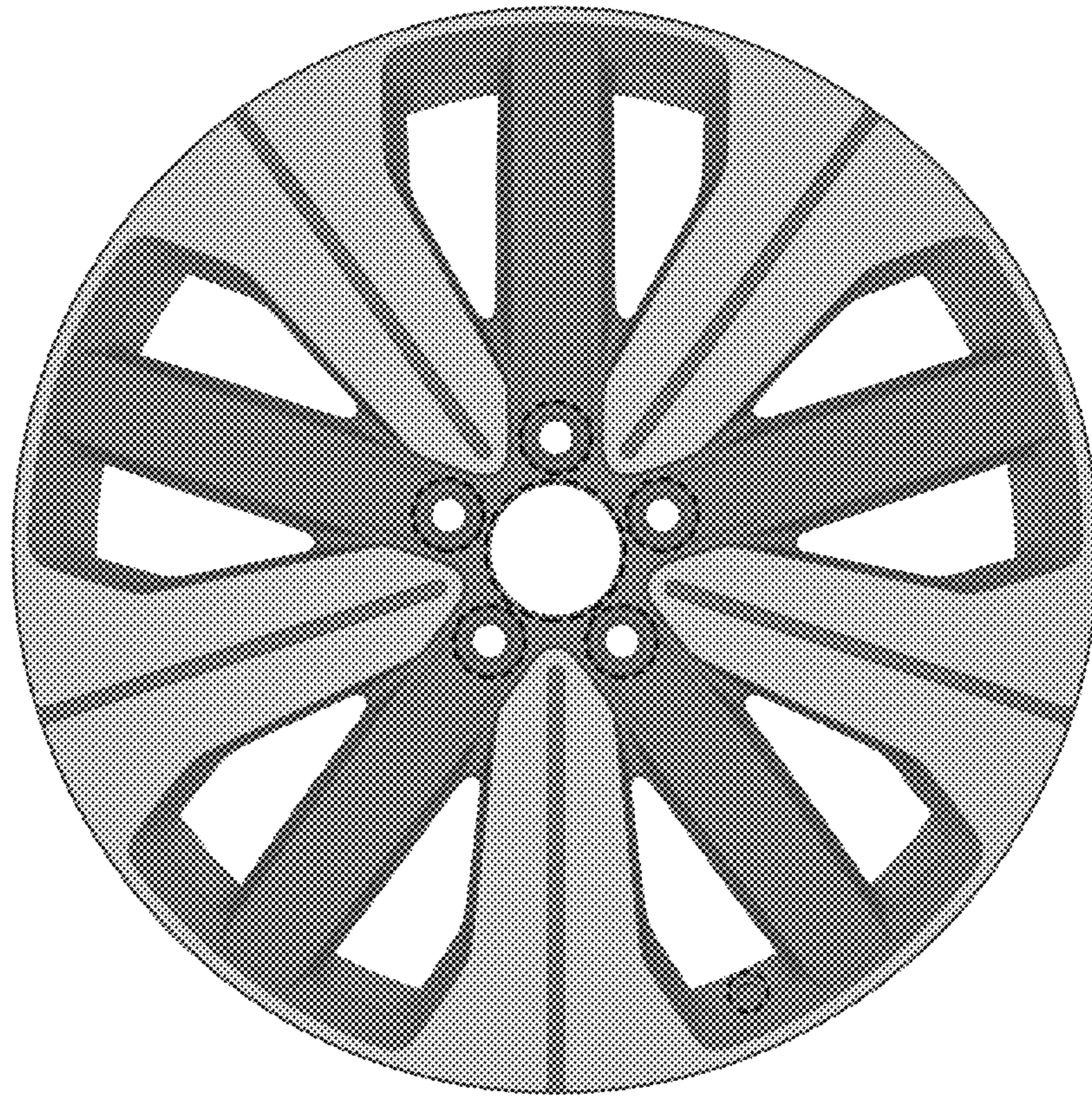
**DESCRIPTION**

FIG. 1 is a front view of a vehicle rim showing my new design;  
FIG. 2 is a right perspective view thereof;  
FIG. 3 is a left perspective view thereof;  
FIG. 4 is a right side view thereof;  
FIG. 5 is a left side view thereof;  
FIG. 6 is a top view thereof; and,  
FIG. 7 is a bottom view thereof.

The broken lines and the portions of the design shown within depict portions of the vehicle rim that form no part of the claimed design.

**1 Claim, 7 Drawing Sheets**





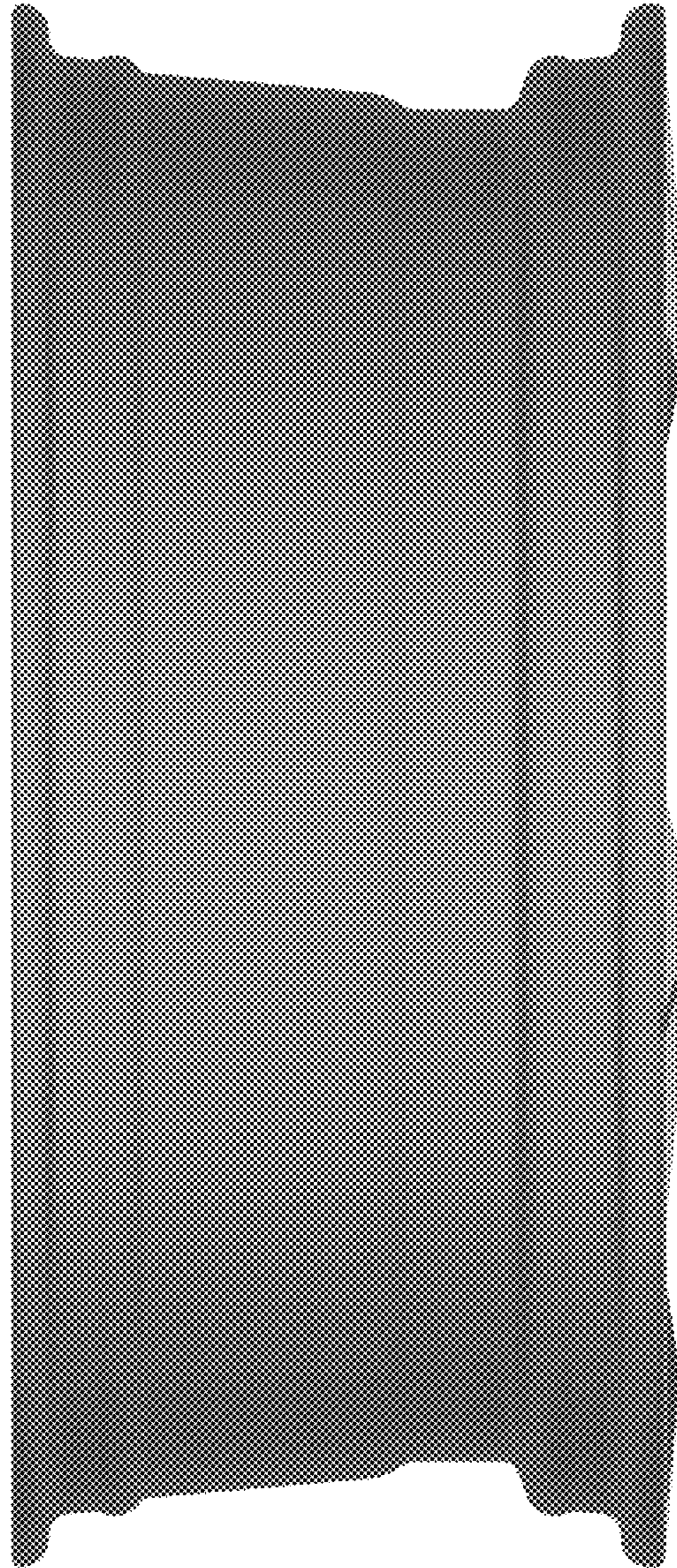
**FIG. 1**



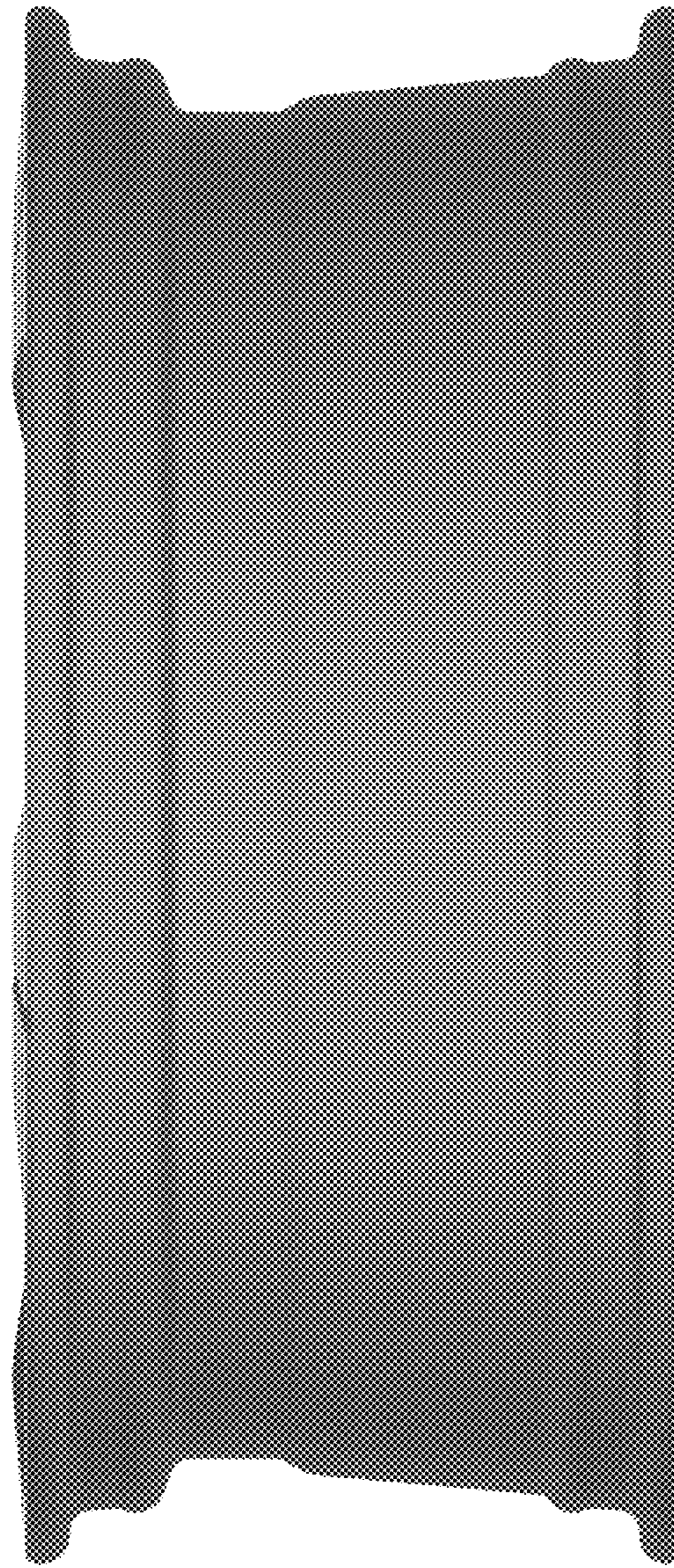
**FIG. 2**



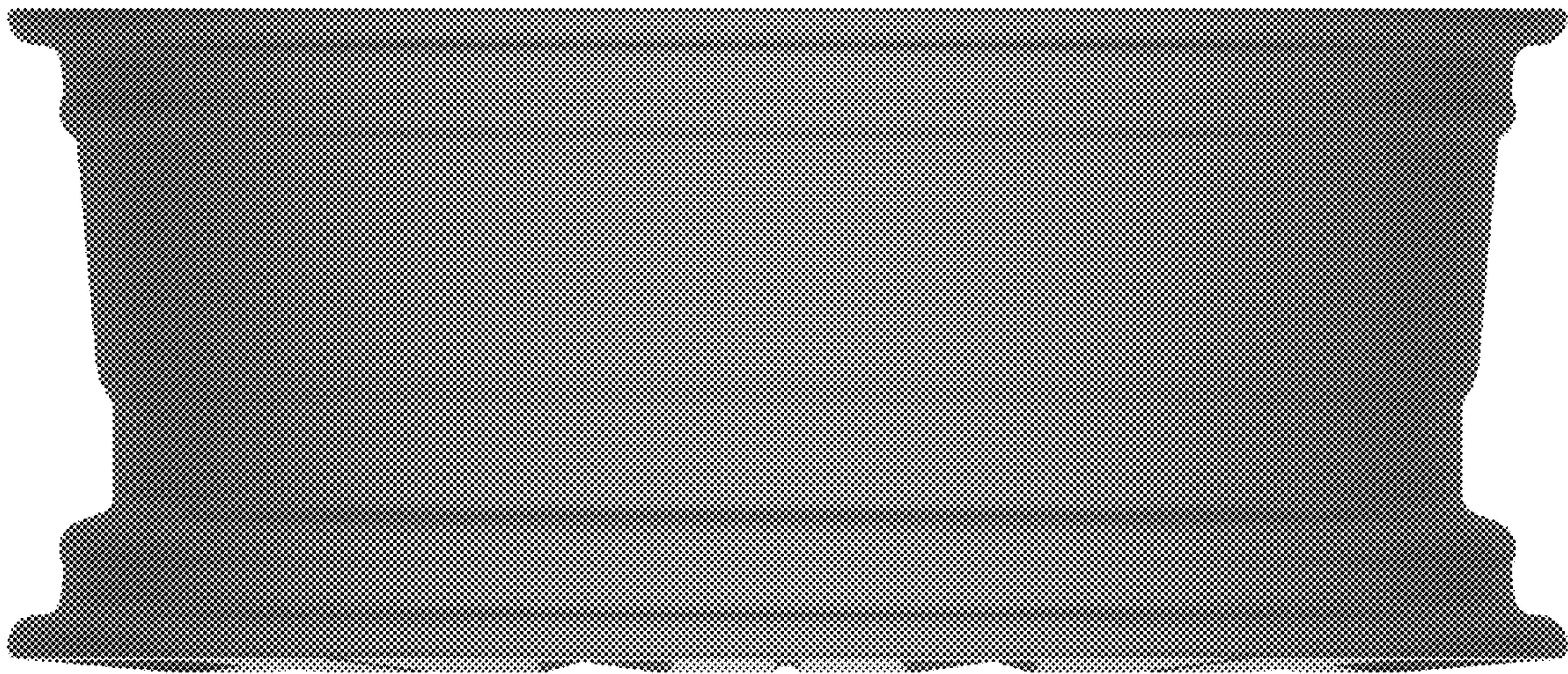
**FIG. 3**



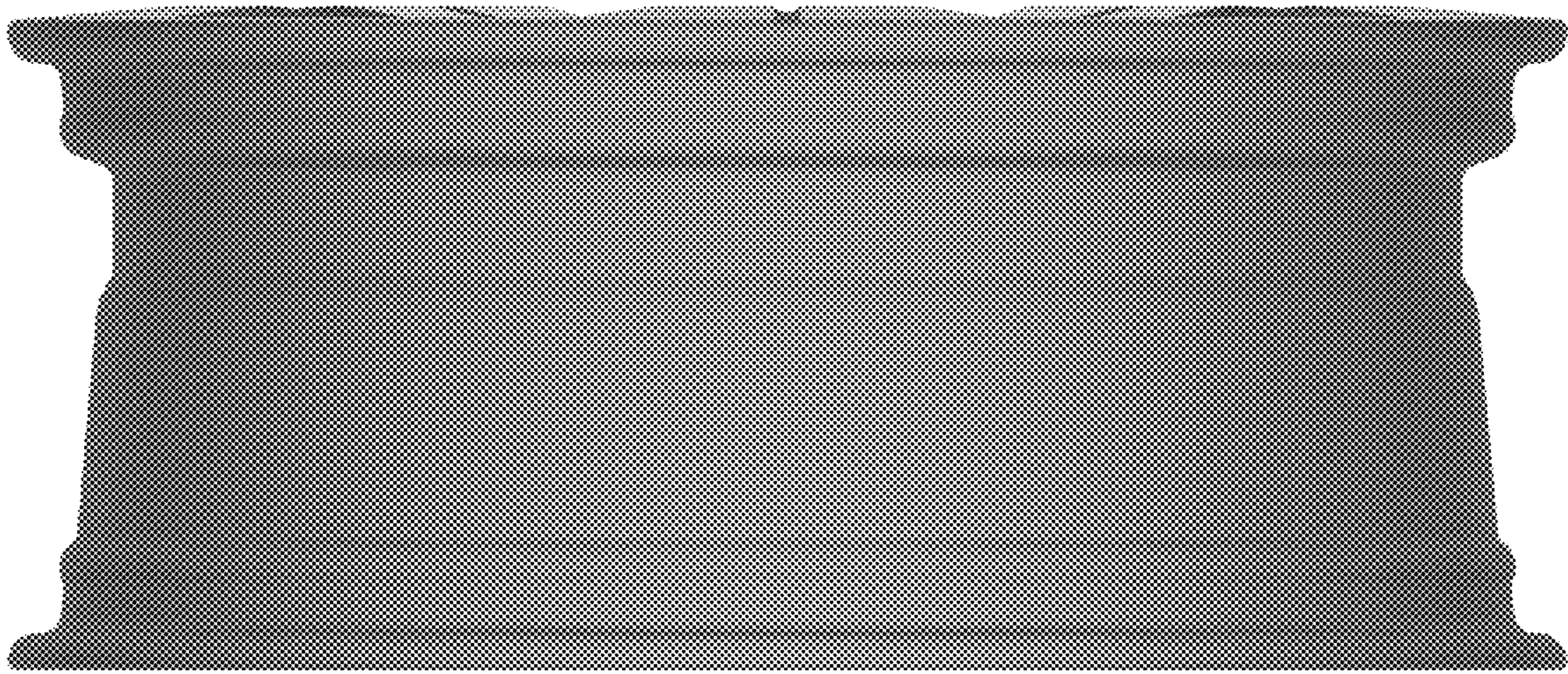
**FIG. 4**



**FIG. 5**



**FIG. 6**



**FIG. 7**