



US00D940623S

(12) **United States Design Patent** (10) **Patent No.:** **US D940,623 S**
Kim et al. (45) **Date of Patent:** **** Jan. 11, 2022**

(54) **FRONT DOOR PANEL FOR AN AUTOMOBILE**

(56) **References Cited**

U.S. PATENT DOCUMENTS

(71) Applicants: **Hyundai Motor Company**, Seoul (KR); **Kia Motors Corporation**, Seoul (KR)

D556,111	S	*	11/2007	Levy	D12/196
D580,332	S	*	11/2008	Gueler	D12/196
D598,355	S	*	8/2009	Sato	D12/196
D636,317	S	*	4/2011	Matei	D12/196
D653,596	S	*	2/2012	Tomatsu	D12/196
D674,328	S	*	1/2013	Ikuma	D12/196
D686,957	S	*	7/2013	Kwon	D12/196
D695,663	S	*	12/2013	Suga	D12/196
D706,190	S	*	6/2014	Sakae	D12/196
D775,566	S	*	1/2017	Schneider	D12/196
D775,567	S	*	1/2017	Faghihzadeh	D12/196
D780,082	S	*	2/2017	Bae	D12/196
D781,194	S	*	3/2017	Bae	D12/196
D783,483	S	*	4/2017	Choi	D12/196
D785,529	S	*	5/2017	Kyung	D12/196
D785,531	S	*	5/2017	Lim	D12/196
D786,761	S	*	5/2017	Luk	D12/196
D801,246	S	*	10/2017	Lee	D12/196
D822,568	S	*	7/2018	Choi	D12/196
D823,766	S	*	7/2018	Han	D12/196
D827,534	S	*	9/2018	Simm	D12/196
D834,481	S	*	11/2018	Lim	D12/196
D840,307	S	*	2/2019	Chan	D12/196

(72) Inventors: **Han Gyeol Kim**, Suwon-si (KR); **Myung Jin Jung**, Hwaseong-si (KR)

(73) Assignees: **Hyundai Motor Company**, Seoul (KR); **Kia Motors Corporation**, Seoul (KR)

(**) Term: **15 Years**

(21) Appl. No.: **35/510,302**

(22) Filed: **Mar. 10, 2020**

(80) **Hague Agreement Data**

Int. Filing Date: **Mar. 10, 2020**

Int. Reg. No.: **DM/207081**

Int. Reg. Date: **Mar. 10, 2020**

Int. Reg. Pub. Date: **Sep. 18, 2020**

(30) **Foreign Application Priority Data**

Sep. 30, 2019 (KR) 30-2019-0046899

(51) **LOC (13) Cl.** **12-16**

(52) **U.S. Cl.**
USPC **D12/196**
CPC **B60J 5/00** (2013.01)

(58) **Field of Classification Search**
USPC D12/90, 91, 92, 181, 184, 196, 400
CPC B60J 5/00; B60J 5/02; B60J 5/04; B60J 5/10; B62D 25/02; B62D 25/04; B62D 25/18; B62D 25/08; B62D 24/00; B62D 24/02; B62D 35/00; B60R 19/02; B60R 19/04

See application file for complete search history.

(Continued)

Primary Examiner — Richard E Chilcot

(74) *Attorney, Agent, or Firm* — Mintz Levin Cohn Ferris Glovsky and Popeo, P.C.; Peter F. Corless

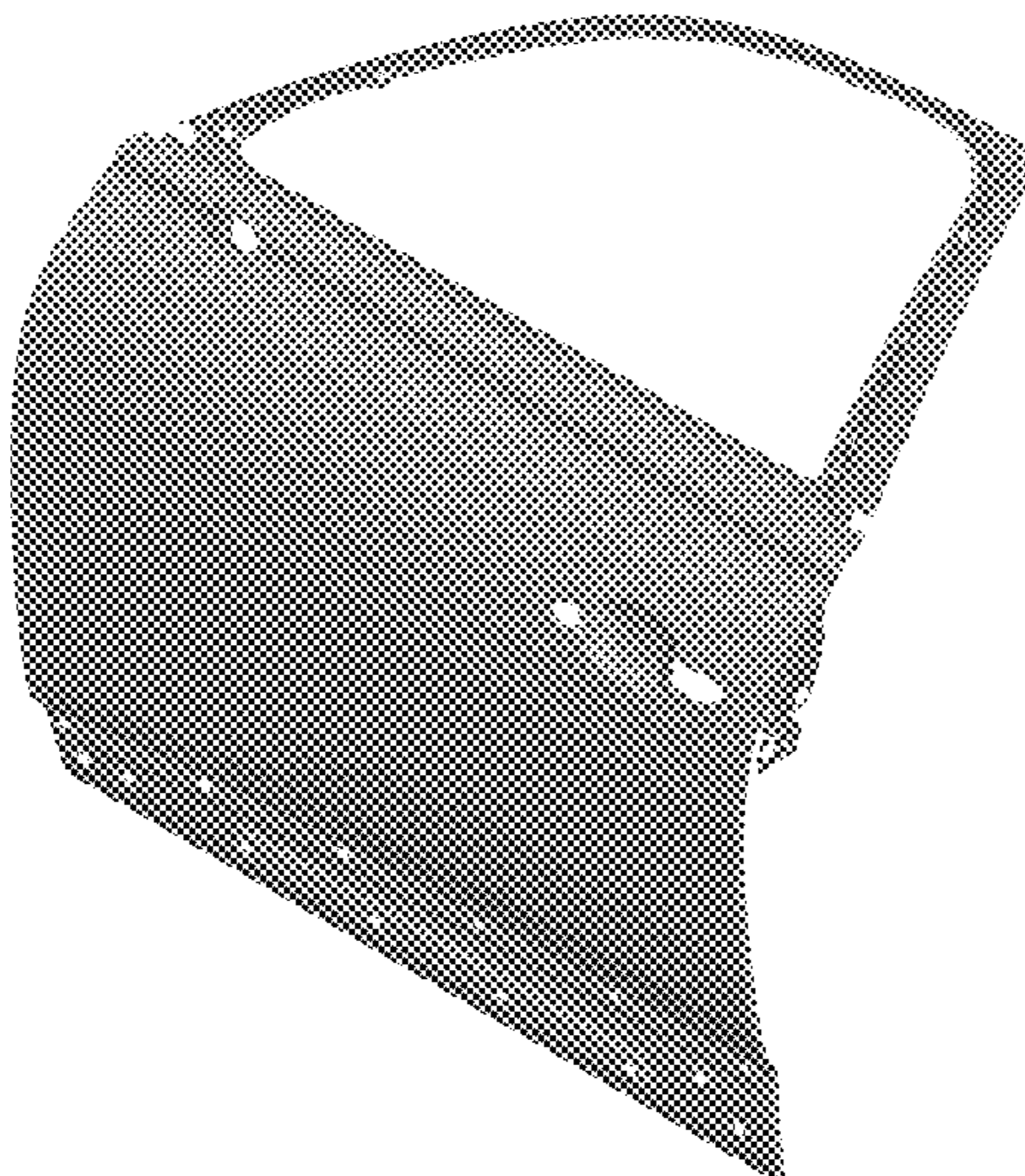
(57) **CLAIM**

The ornamental design for a front door panel for an automobile, as shown and described.

DESCRIPTION

1. Front door panel for an automobile
- 1.1 : Perspective
- 1.2 : Front
- 1.3 : Back
- 1.4 : Left
- 1.5 : Right
- 1.6 : Top
- 1.7 : Bottom

1 Claim, 7 Drawing Sheets



(56)

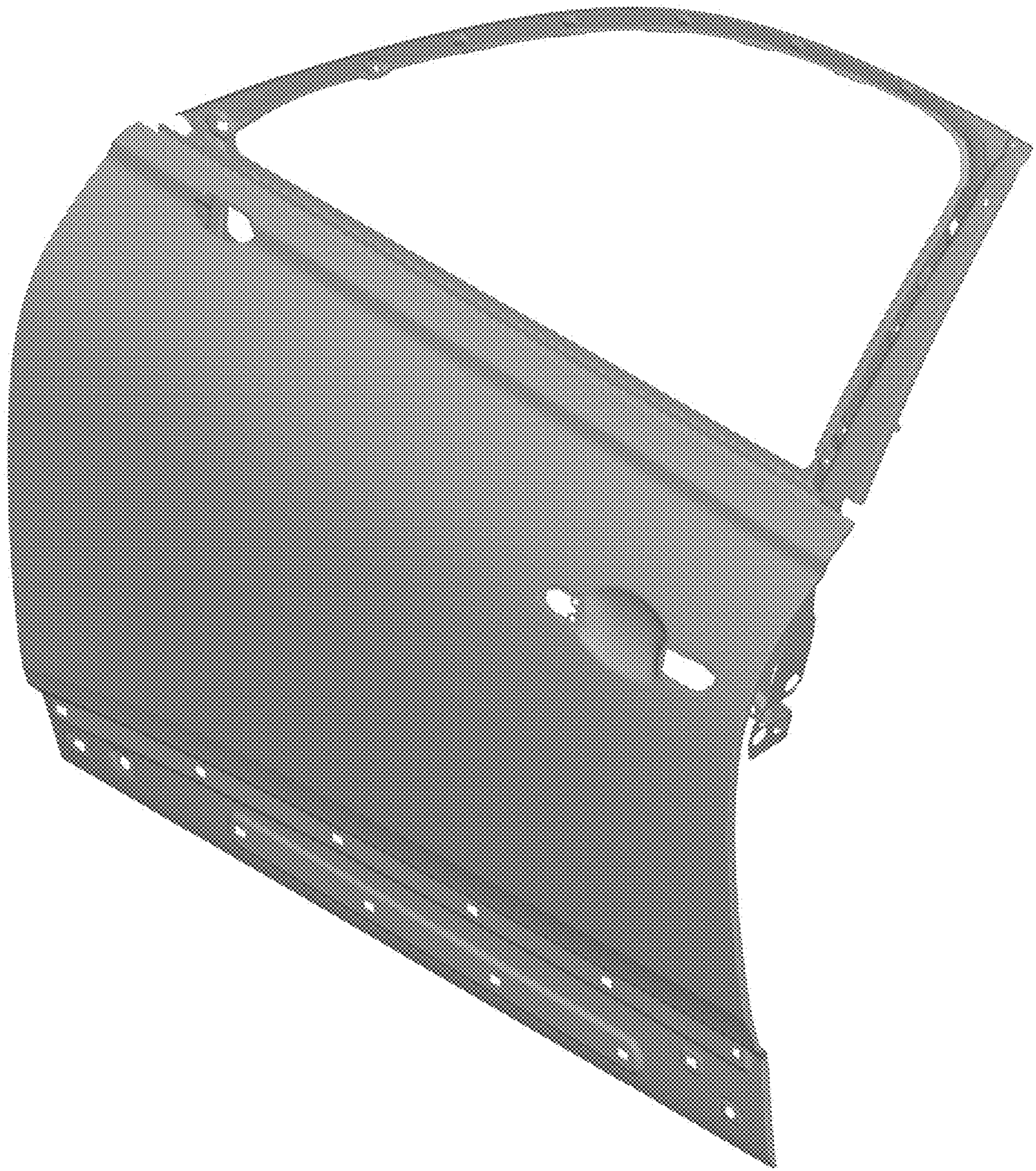
References Cited

U.S. PATENT DOCUMENTS

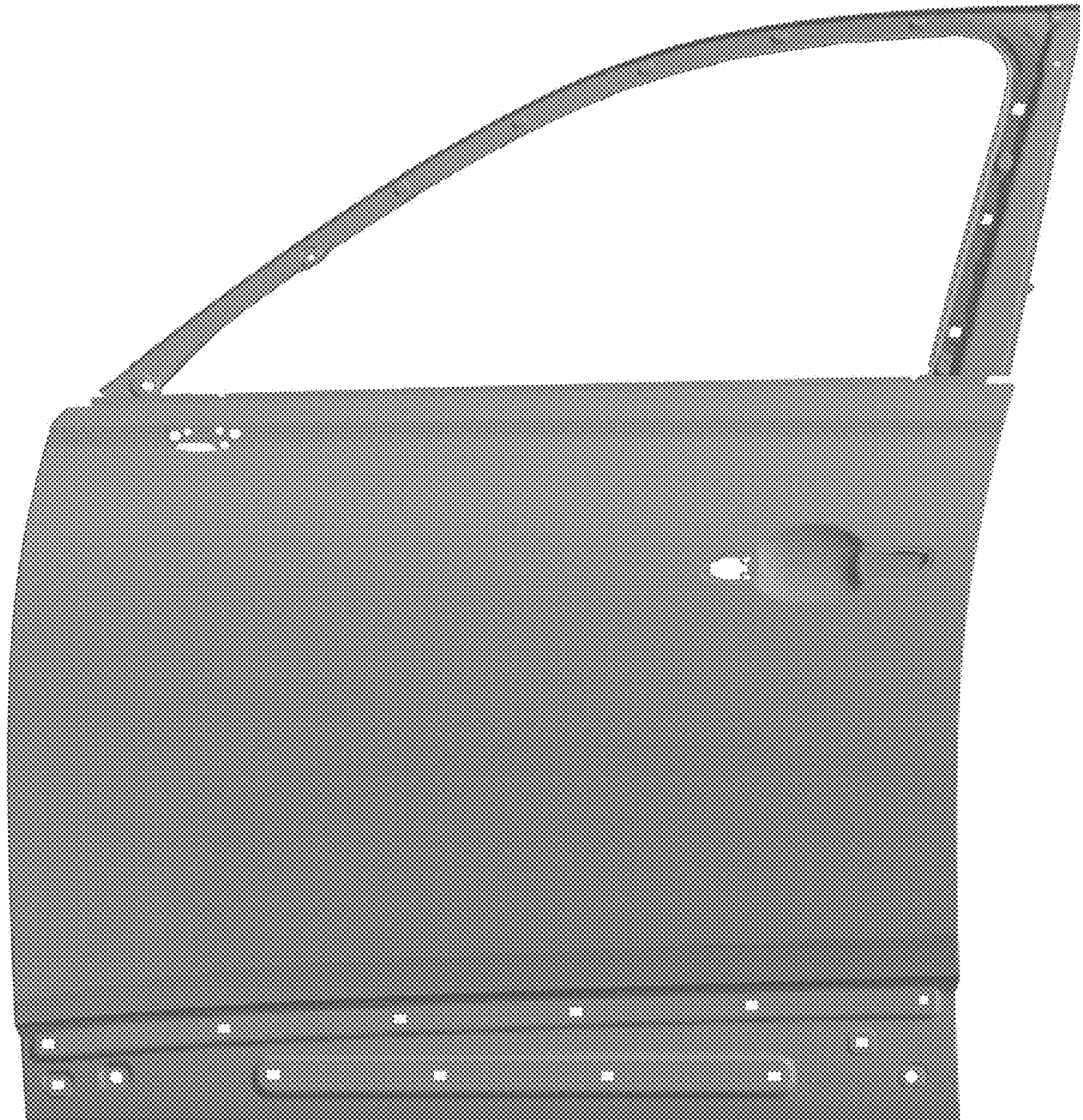
D848,334	S	*	5/2019	Tomasson	D12/196
D860,895	S	*	9/2019	Lee	D12/196
D863,170	S	*	10/2019	Zipfel	D12/196
D867,951	S	*	11/2019	Izard	D12/196
D873,752	S	*	1/2020	Choi	D12/196
D889,346	S	*	7/2020	Warner	D12/196
D890,057	S	*	7/2020	Lim	D12/196
D890,670	S	*	7/2020	Oh	D12/196
D892,696	S	*	8/2020	Kim	D12/196
D901,351	S	*	11/2020	Kim	D12/196
D915,973	S	*	4/2021	Kim	D12/196
D928,053	S	*	8/2021	von Holzhausen	D12/196
2013/0341961	A1	*	12/2013	Mori	B60R 13/04 296/146.2
2015/0035310	A1	*	2/2015	Yamaguchi	B60R 13/0206 296/153
2016/0114658	A1	*	4/2016	Yokota	B60J 5/0402 49/489.1

* cited by examiner

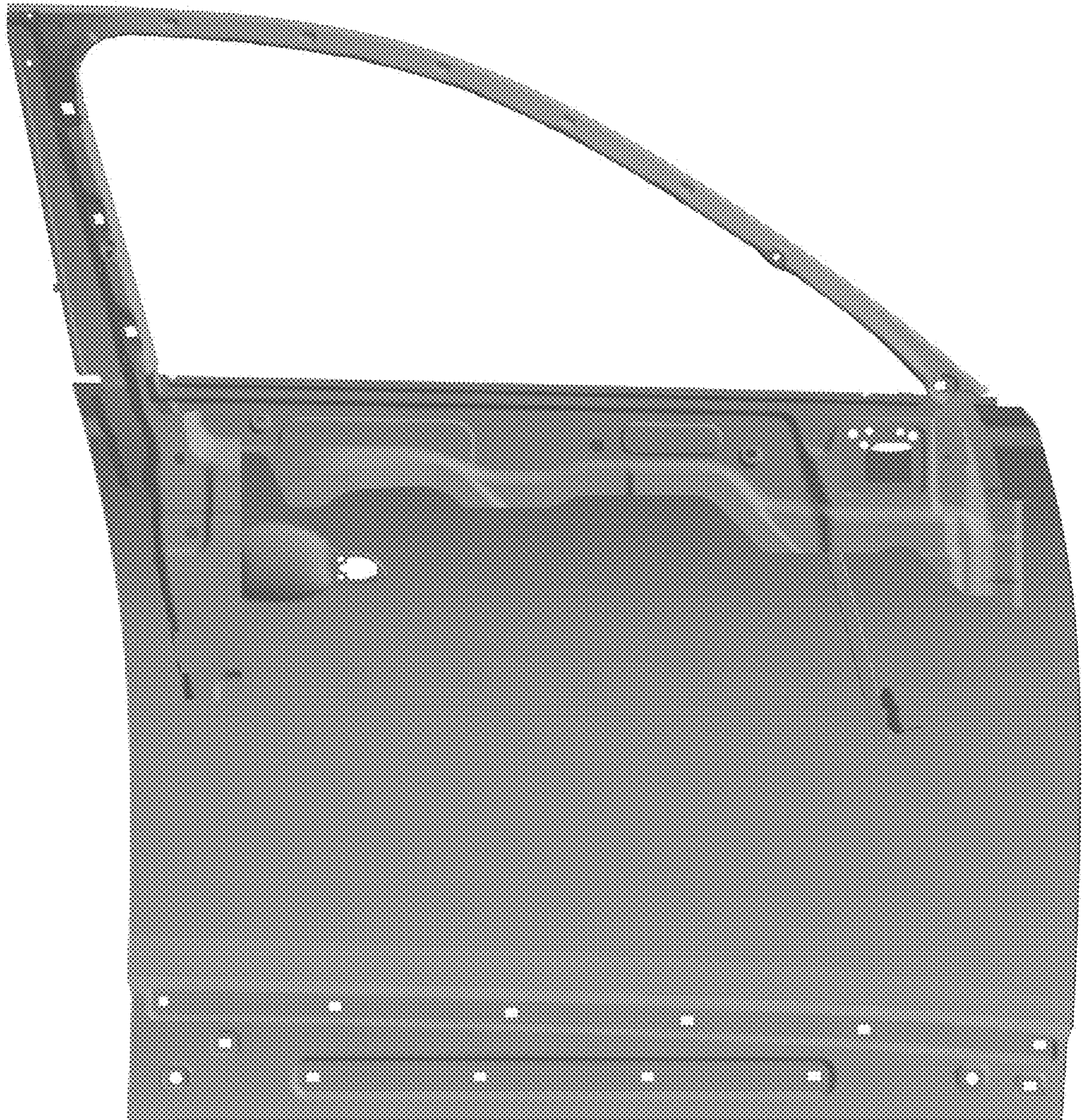
1.1



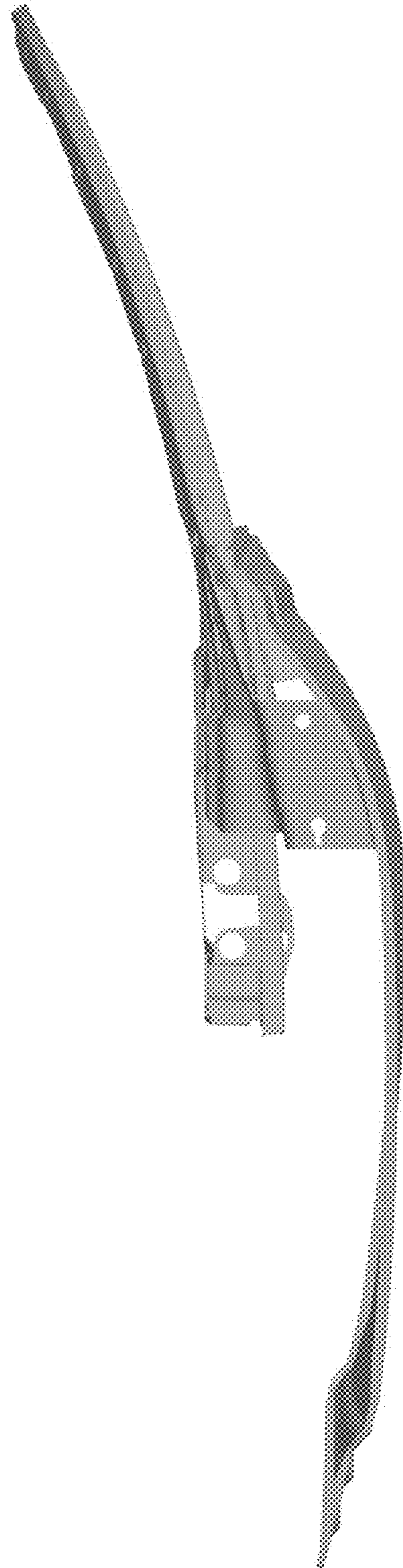
1.2



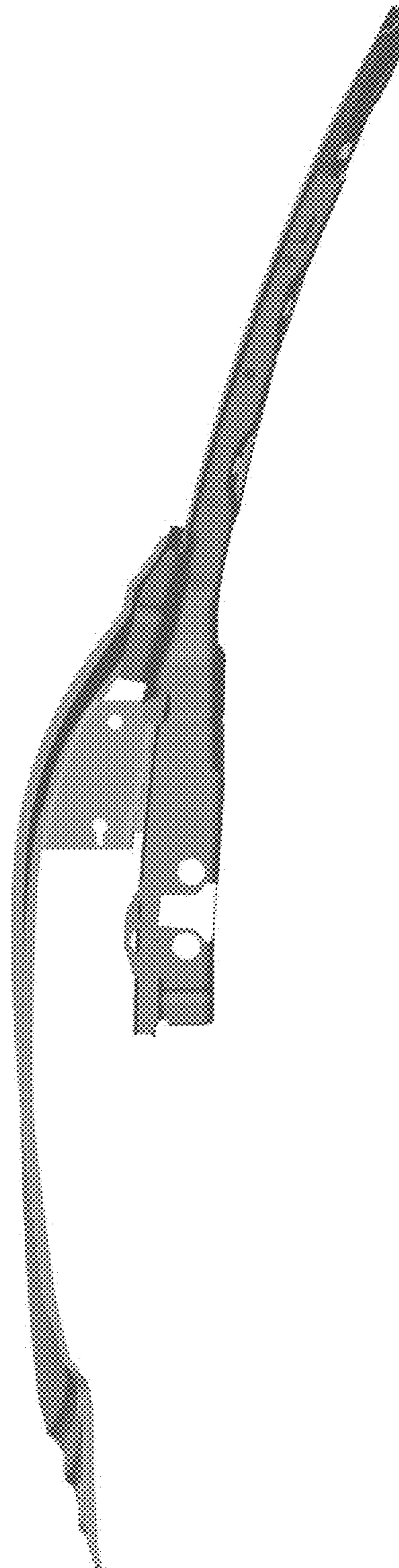
1.3



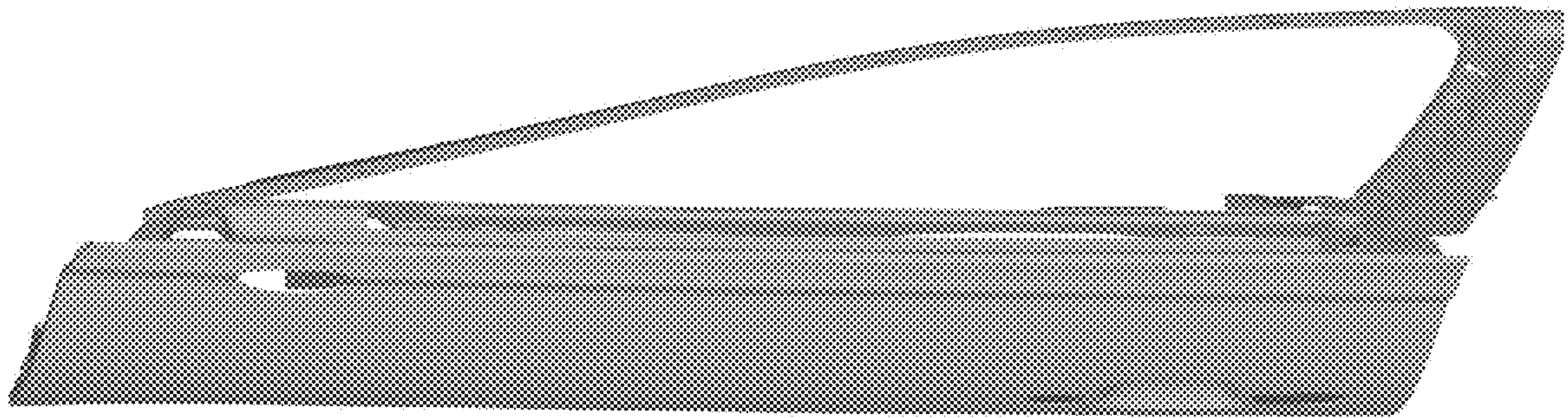
1.4



1.5



1.6



1.7

