



US00D940621S

(12) **United States Design Patent**
Wu

(10) **Patent No.:** **US D940,621 S**
(45) **Date of Patent:** **** Jan. 11, 2022**

- (54) **MUFFLER**
- (71) Applicant: **Conghuo Wu**, Guangzhou (CN)
- (72) Inventor: **Conghuo Wu**, Guangzhou (CN)
- (**) Term: **15 Years**
- (21) Appl. No.: **29/798,662**
- (22) Filed: **Jul. 9, 2021**
- (51) **LOC (13) Cl.** **12-16**
- (52) **U.S. Cl.**
USPC **D12/194**
- (58) **Field of Classification Search**
USPC D12/194; D15/5
CPC .. F01N 13/082; F01N 13/001; F01N 2260/20;
F01N 2260/00
See application file for complete search history.

- D911,898 S * 3/2021 Akrapovič D12/194
- D913,886 S 3/2021 Dean
- D915,260 S * 4/2021 Akrapovič F01N 1/003
D12/194
- D920,201 S * 5/2021 Akrapovic D12/194
- D922,922 S * 6/2021 Akrapovič D12/194
- D922,923 S * 6/2021 Akrapovic D12/194

* cited by examiner

Primary Examiner — Michael A. Pratt

(74) *Attorney, Agent, or Firm* — Runit Ranjit Kanakia

(57) **CLAIM**

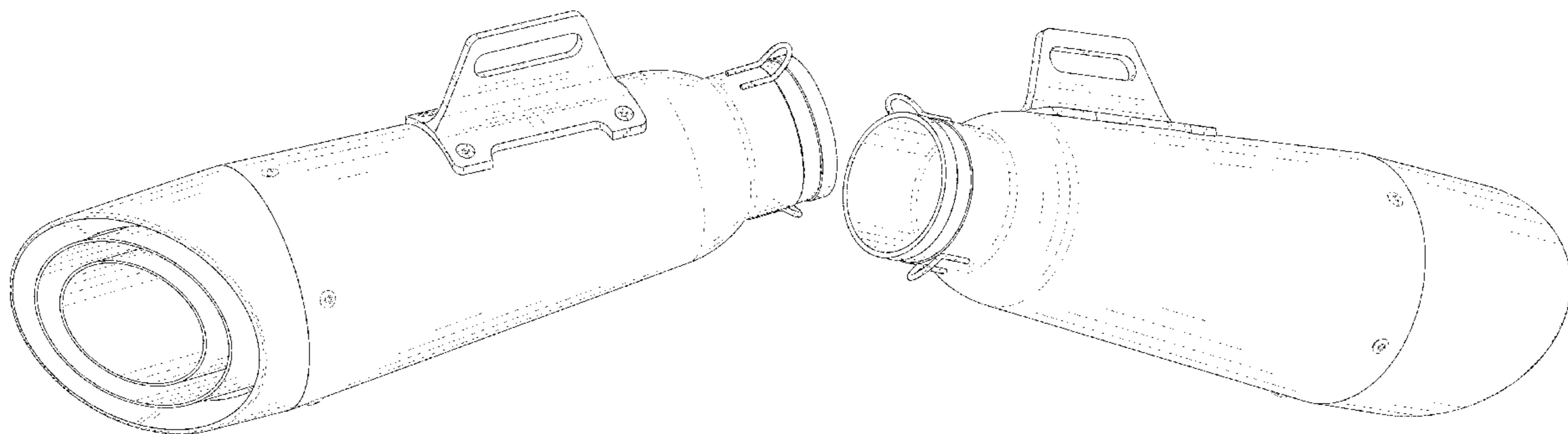
The ornamental design for a muffler, as shown and described.

DESCRIPTION

FIG. 1 is a front elevational view of a muffler showing my new design;
 FIG. 2 is a rear elevational view thereof; and
 FIG. 3 is a left elevational view thereof;
 FIG. 4 is a right side view thereof;
 FIG. 5 is a top side view thereof;
 FIG. 6 is a bottom plan view thereof;
 FIG. 7 is a perspective view of a muffler showing my new design; and,
 FIG. 8 is another perspective view thereof.
 The broken lines in the figures are for the purposes of illustrating portions of the muffler, which form no part of the claimed design.

1 Claim, 8 Drawing Sheets

- (56) **References Cited**
U.S. PATENT DOCUMENTS
- D534,111 S 12/2006 Wannamaker
- D767,456 S 9/2016 Finnie
- D808,875 S 1/2018 Hasegawa
- D837,119 S * 1/2019 Akrapovic D12/194
- D840,887 S * 2/2019 Akrapovic D12/194
- D854,476 S * 7/2019 Akrapovic D12/194
- D875,009 S * 2/2020 Akrapovic D12/194
- D875,010 S 2/2020 Akrapovic
- D875,630 S 2/2020 Kana
- D875,631 S 2/2020 Kana
- D910,521 S * 2/2021 Akrapovic D12/194
- D911,235 S * 2/2021 Akrapovic D12/194



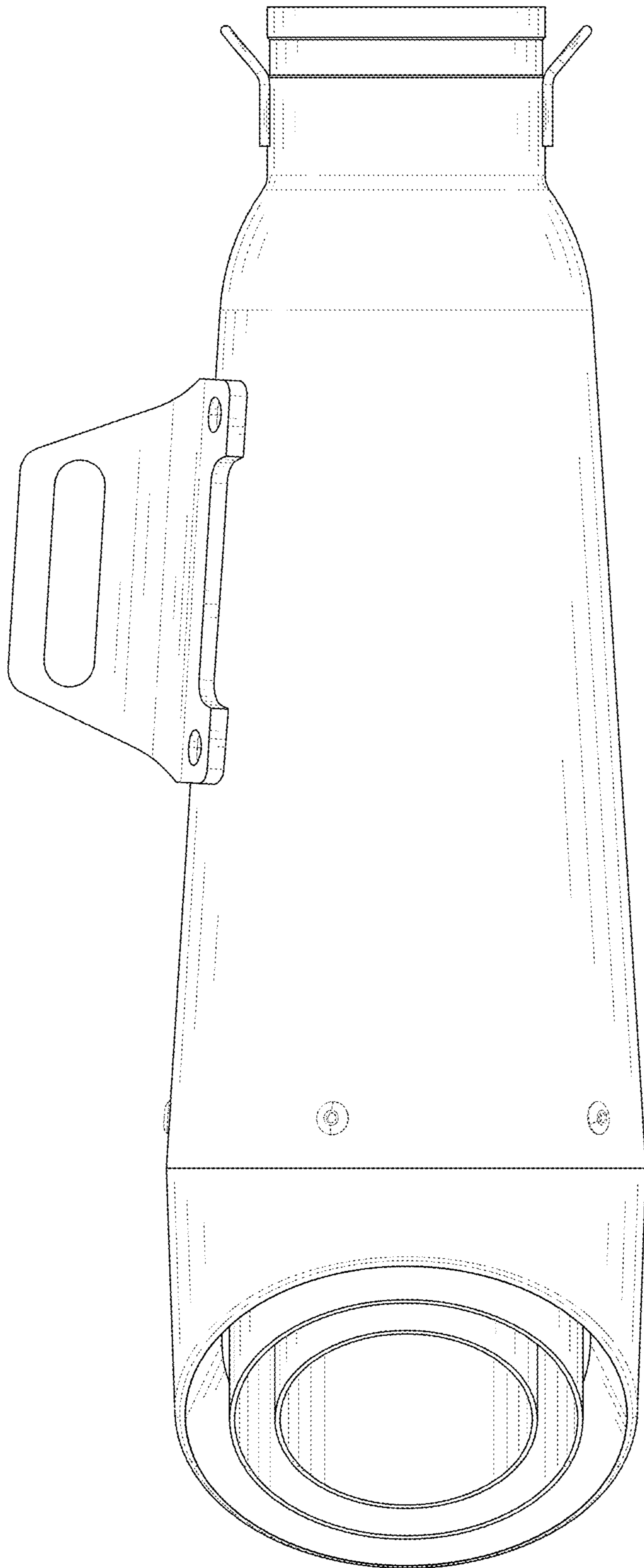


FIG. 1

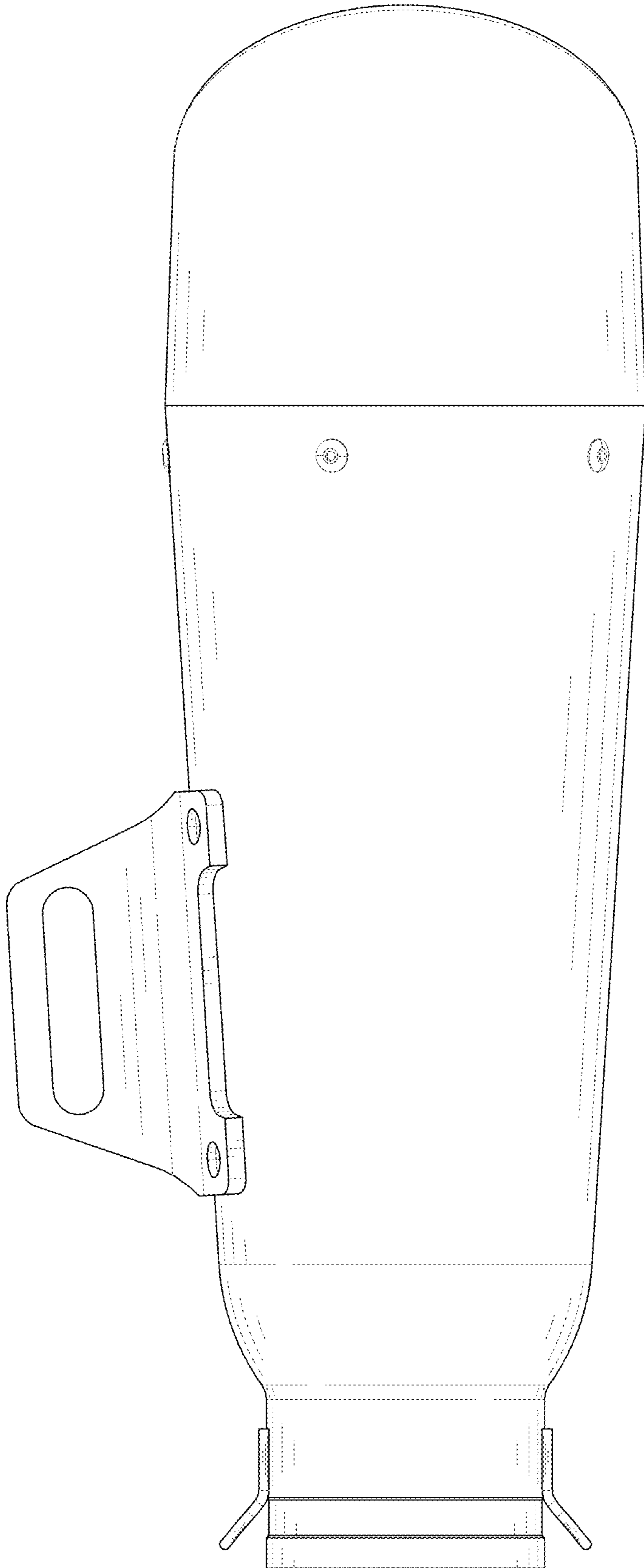


FIG. 2

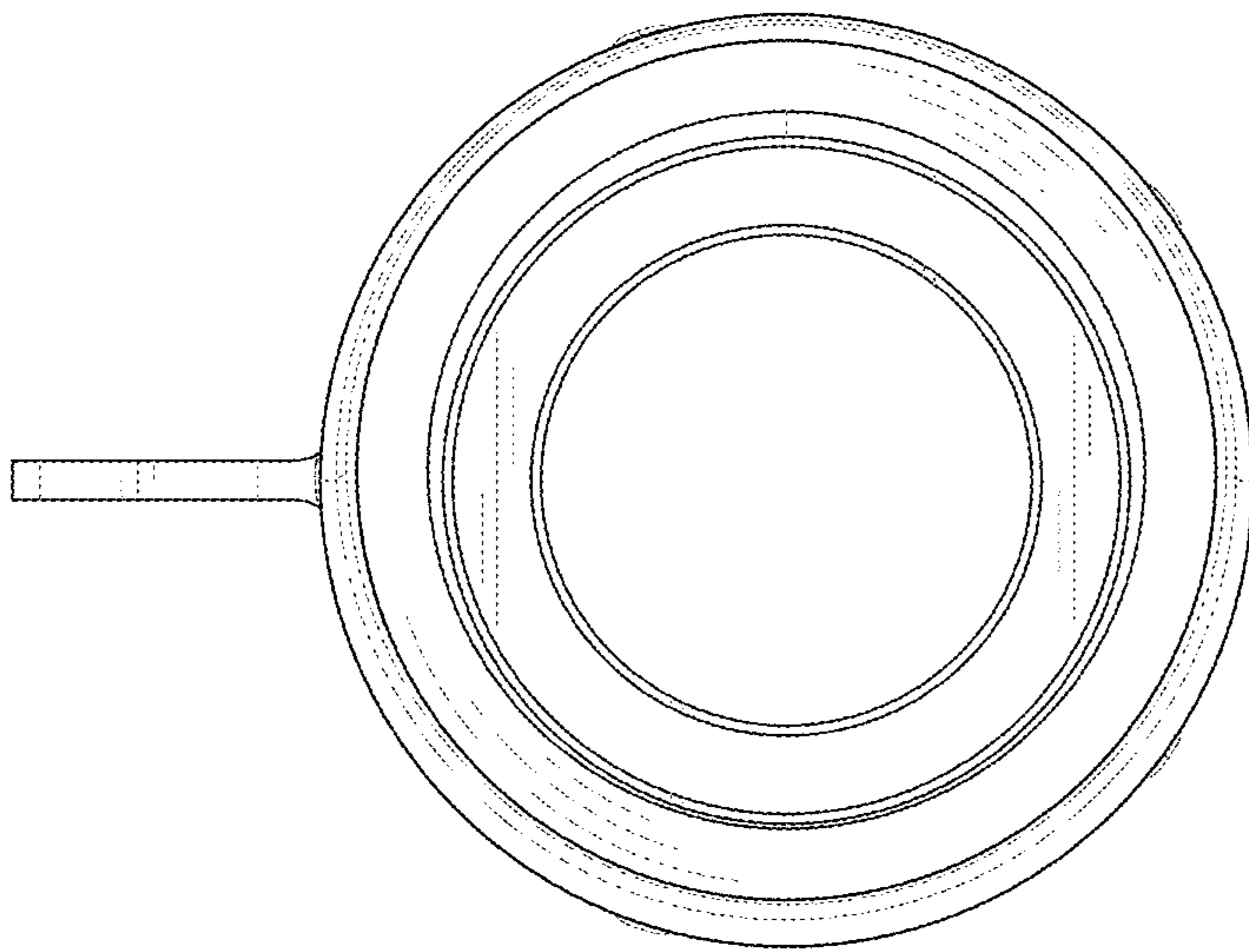


FIG. 3

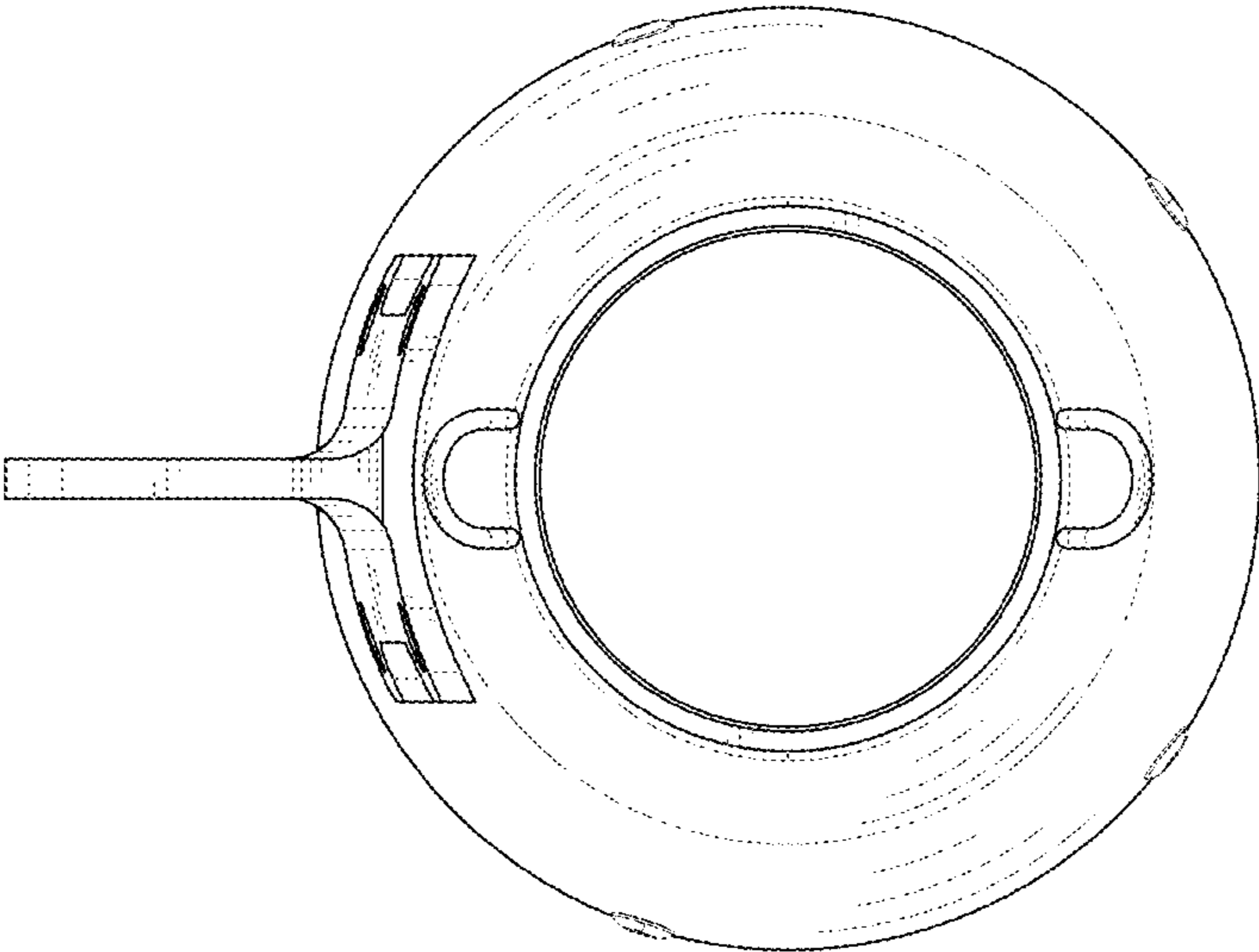


FIG. 4

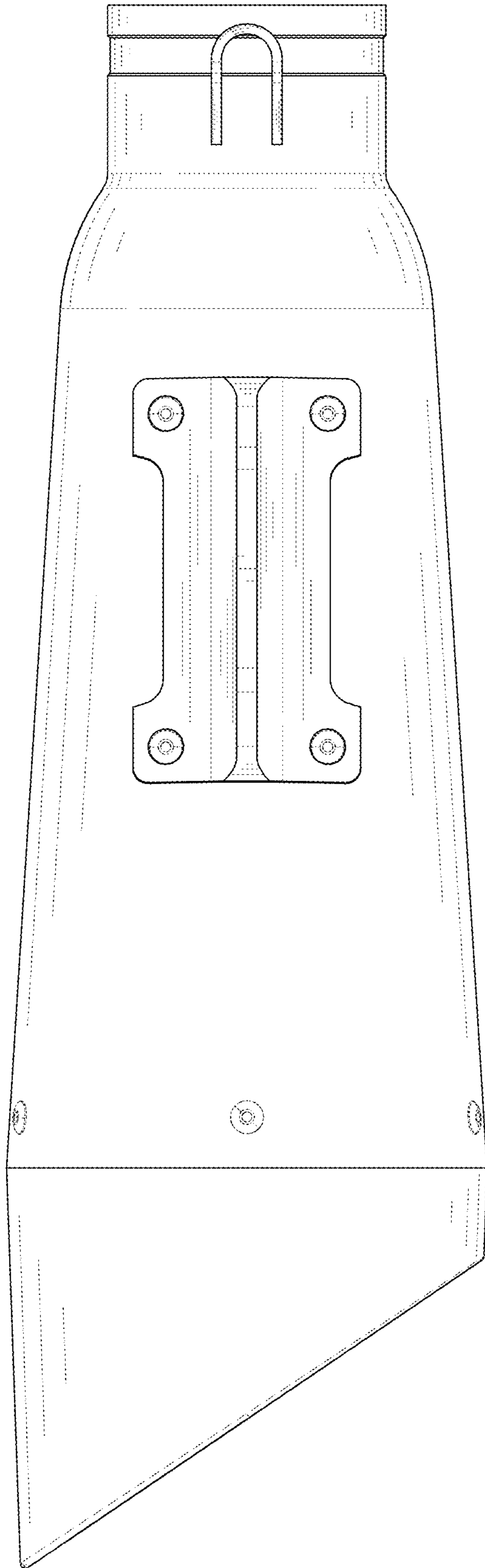


FIG. 5

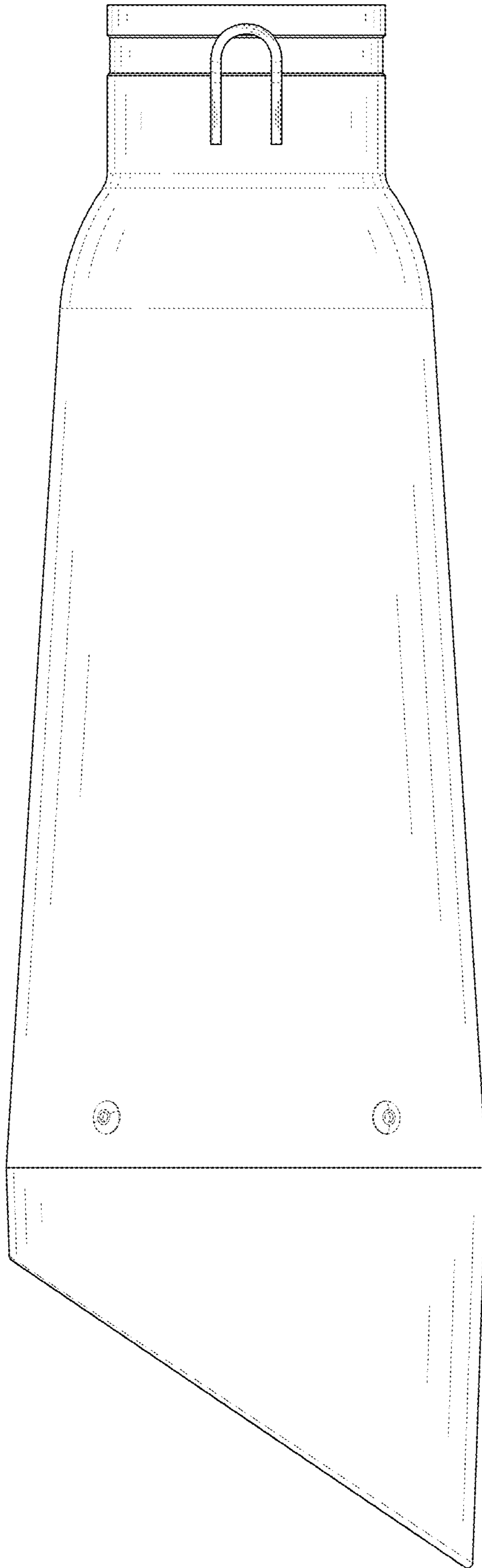


FIG. 6

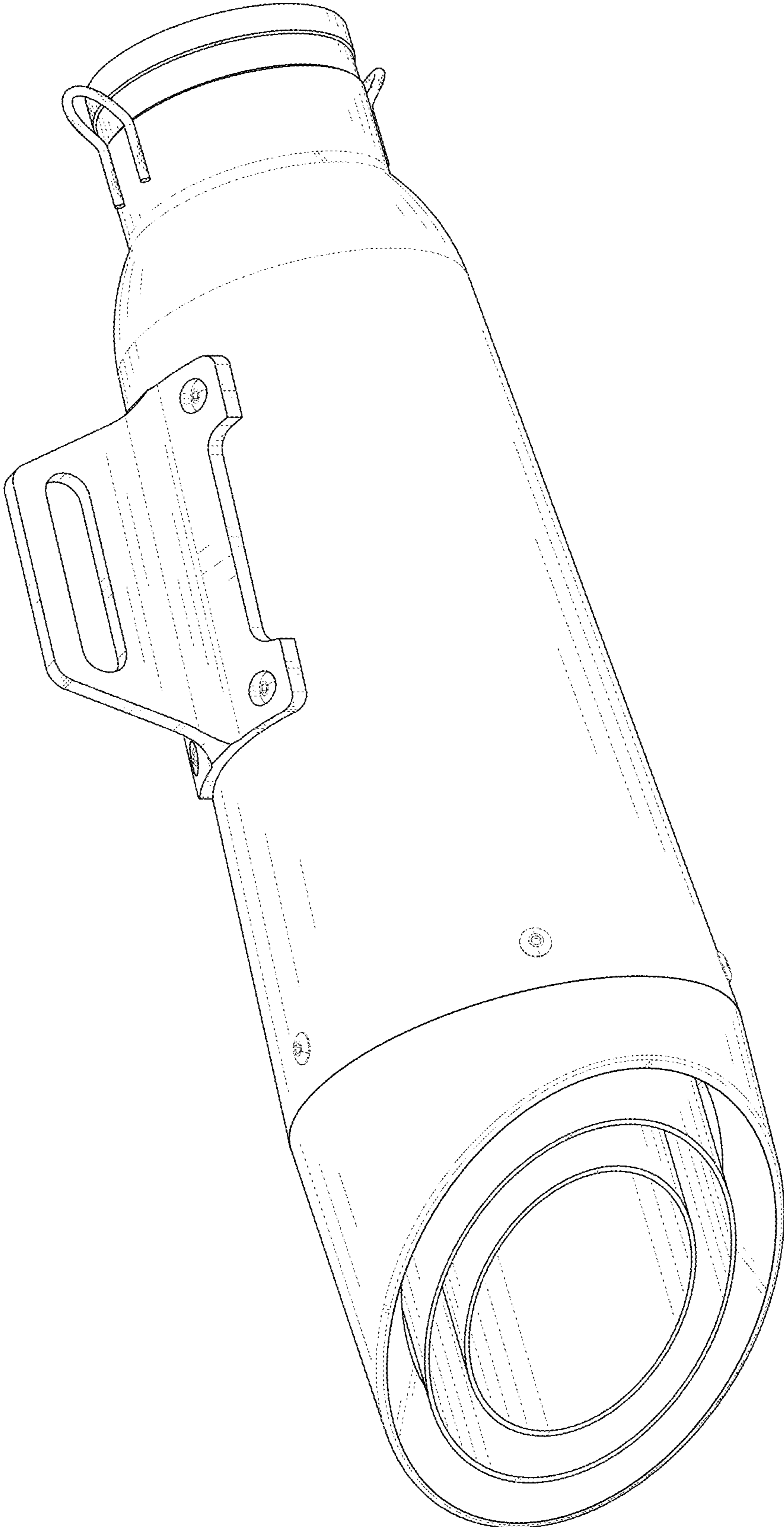


FIG. 7

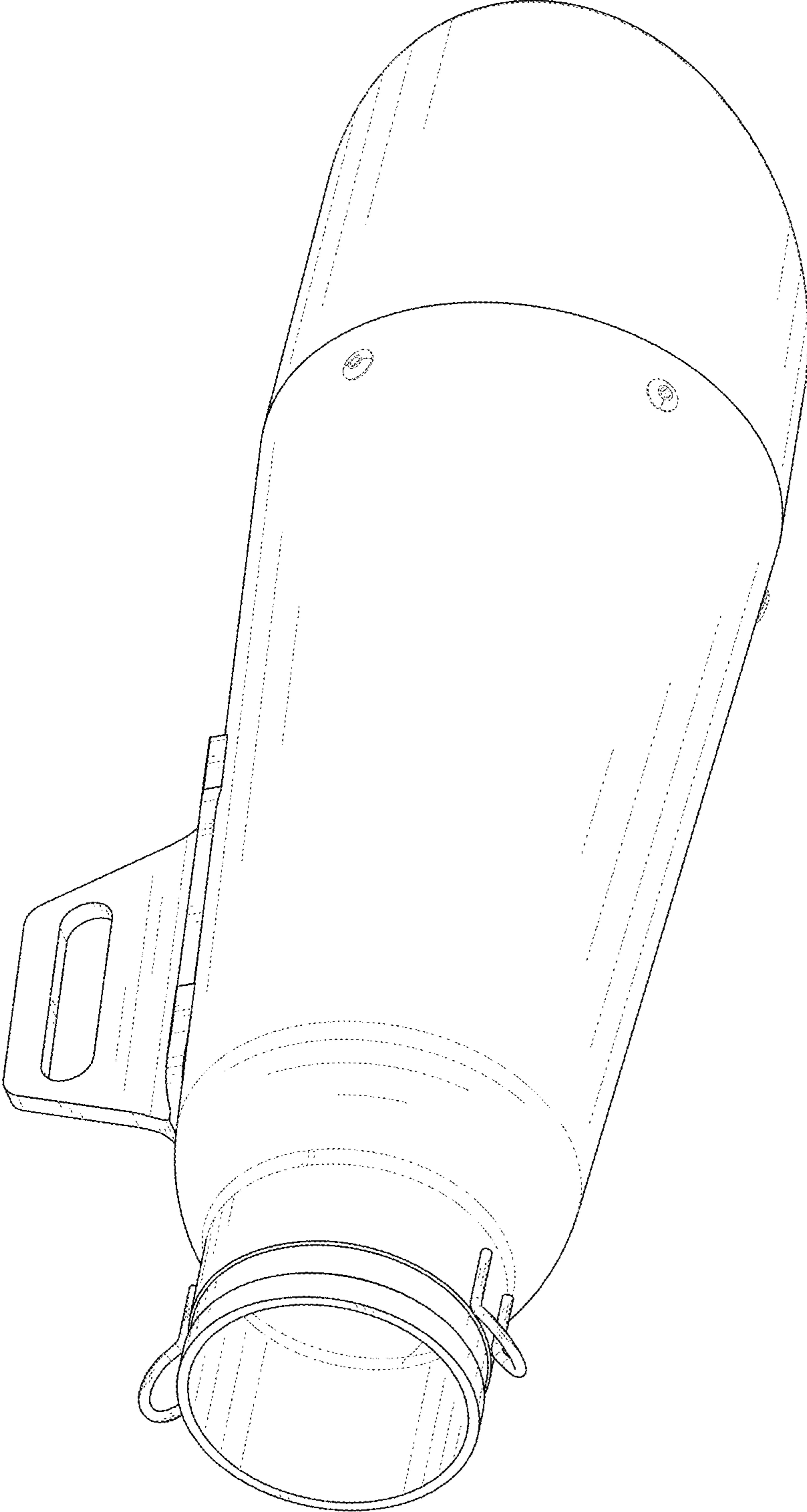


FIG. 8