



US00D940620S

(12) **United States Design Patent**  
**Wu**

(10) **Patent No.:** **US D940,620 S**  
(45) **Date of Patent:** **\*\* Jan. 11, 2022**

- (54) **MOTORCYCLE MUFFLER**
- (71) Applicant: **Xiaodian Wu**, Guangzhou (CN)
- (72) Inventor: **Xiaodian Wu**, Guangzhou (CN)
- (\*\*) Term: **15 Years**
- (21) Appl. No.: **29/783,435**
- (22) Filed: **May 13, 2021**
- (51) **LOC (13) Cl.** ..... **12-16**
- (52) **U.S. Cl.**  
USPC ..... **D12/194**
- (58) **Field of Classification Search**  
USPC ..... D12/194; D15/5  
CPC .. F01N 13/082; F01N 13/001; F01N 2260/20;  
F01N 2260/00  
See application file for complete search history.

- D875,009 S \* 2/2020 Akrapovic ..... D12/194
- D910,521 S \* 2/2021 Akrapovic ..... D12/194
- D911,235 S \* 2/2021 Akrapovic ..... D12/194
- D911,898 S \* 3/2021 Akrapovič ..... D12/194
- D913,886 S 3/2021 Dean
- D915,260 S \* 4/2021 Akrapovič ..... F01N 1/003  
D12/194
- D920,201 S \* 5/2021 Akrapovic ..... D12/194
- D922,922 S \* 6/2021 Akrapovič ..... D12/194
- D922,923 S \* 6/2021 Akrapovic ..... D12/194

\* cited by examiner

*Primary Examiner* — Michael A. Pratt  
(74) *Attorney, Agent, or Firm* — Rumit Ranjit Kanakia

(57) **CLAIM**

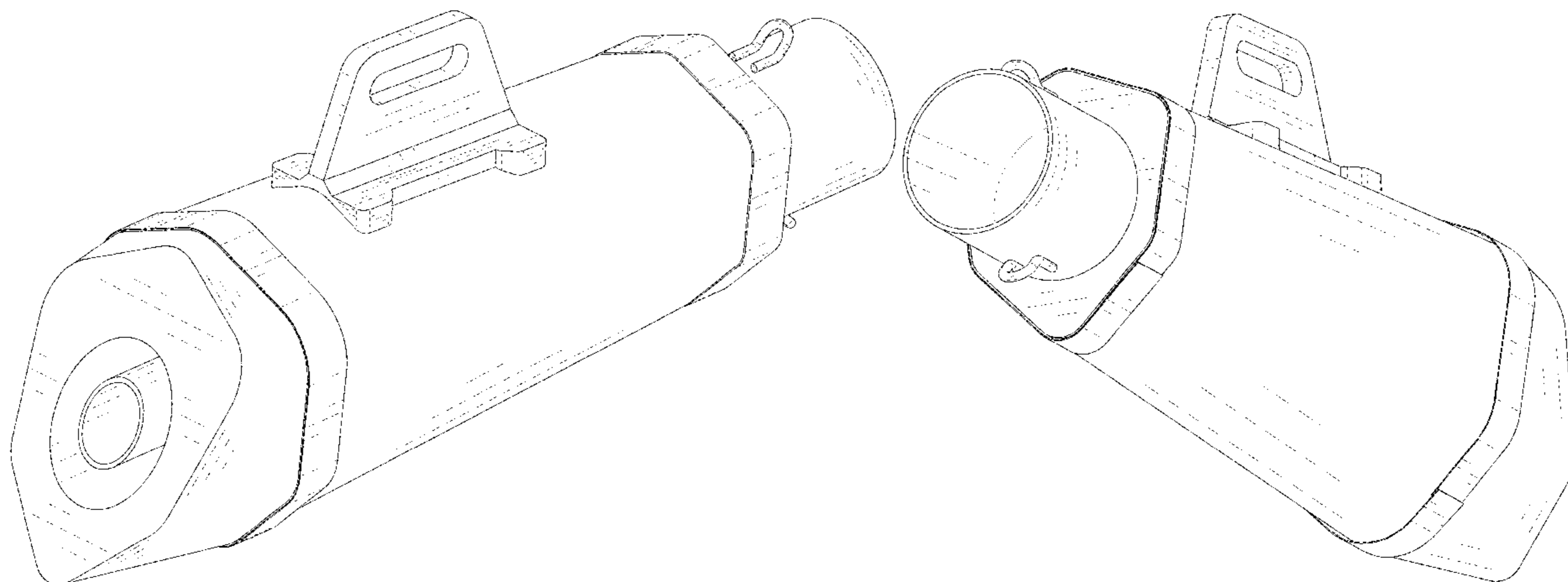
The ornamental design for a motorcycle muffler, as shown and described.

**DESCRIPTION**

FIG. 1 is a front elevational view of a motorcycle muffler showing my new design;  
 FIG. 2 is a rear elevational view thereof; and  
 FIG. 3 is a left side view thereof;  
 FIG. 4 is a right side view thereof;  
 FIG. 5 is a top plan view thereof;  
 FIG. 6 is a bottom plan view thereof;  
 FIG. 7 is a perspective view of a motorcycle muffler showing my new design; and,  
 FIG. 8 is another perspective view thereof.  
 The broken lines in the figures are for the purposes of illustrating portions of the motorcycle muffler, which form no part of the claimed design.

**1 Claim, 8 Drawing Sheets**

- (56) **References Cited**  
U.S. PATENT DOCUMENTS
- D420,316 S 2/2000 Hanlon
- D460,726 S 7/2002 Campbell
- D495,640 S 9/2004 James
- D495,642 S 9/2004 Luttig
- D573,520 S 7/2008 Kouchi
- D598,354 S 8/2009 Nakazawa
- D624,473 S 9/2010 Nishihara
- D767,456 S 9/2016 Finnie
- D802,507 S 11/2017 Ochoa
- D837,119 S \* 1/2019 Akrapovic ..... D12/194
- D840,887 S \* 2/2019 Akrapovic ..... D12/194
- D854,476 S \* 7/2019 Akrapovic ..... D12/194



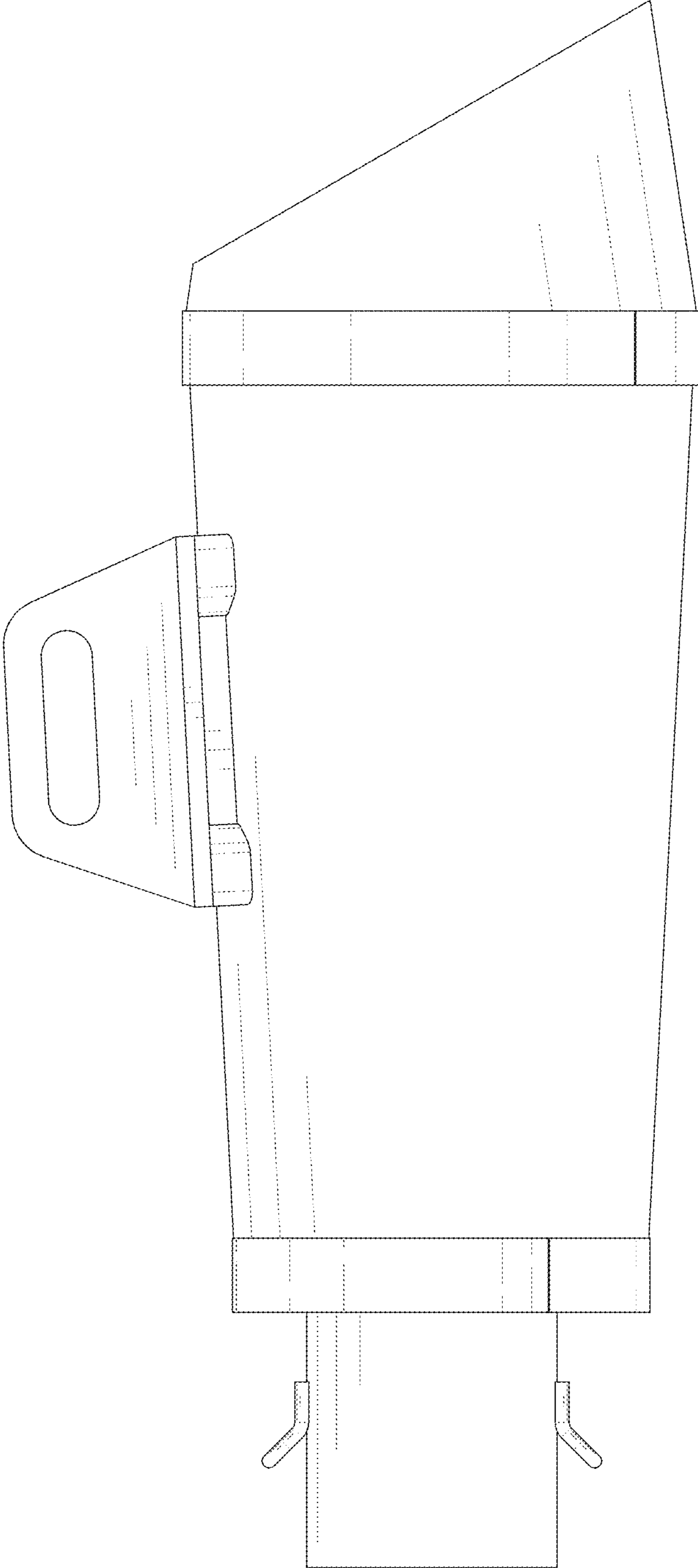


FIG. 1

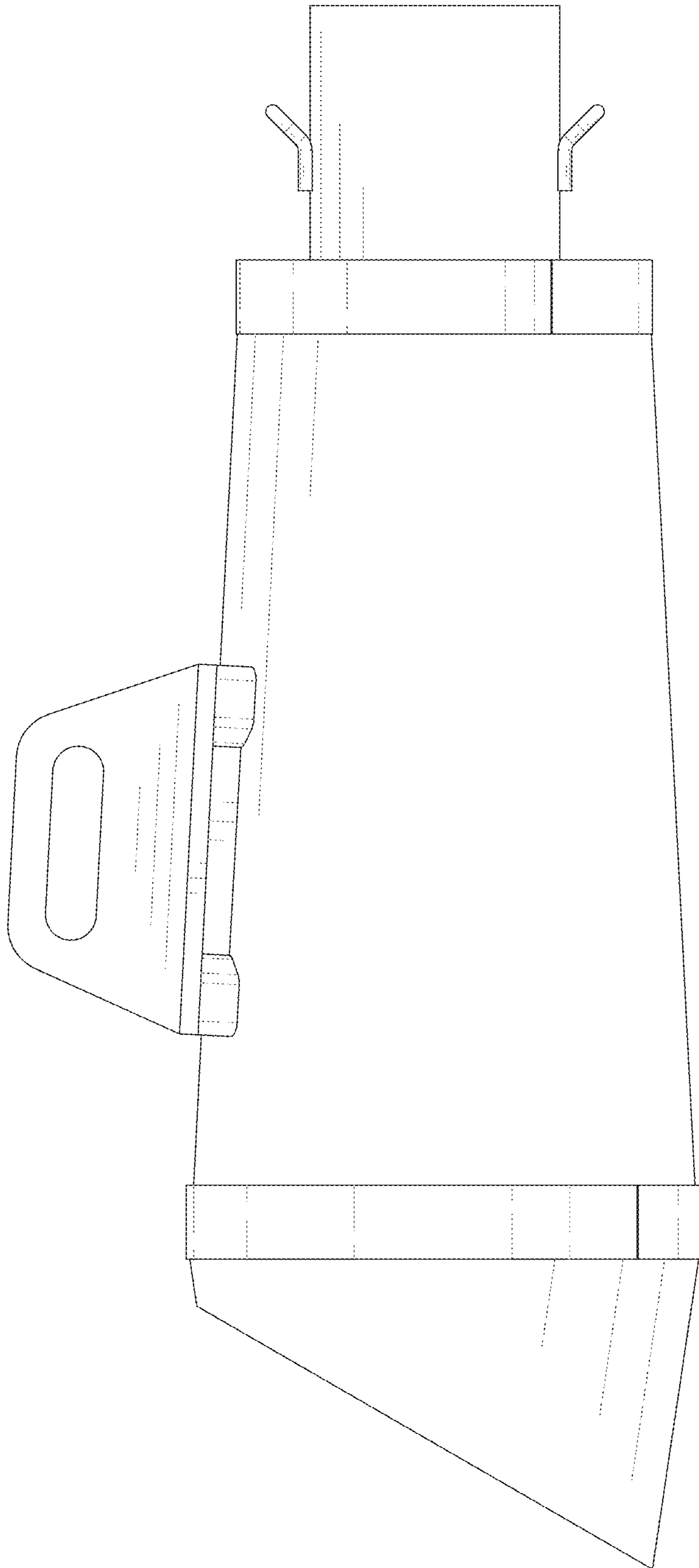
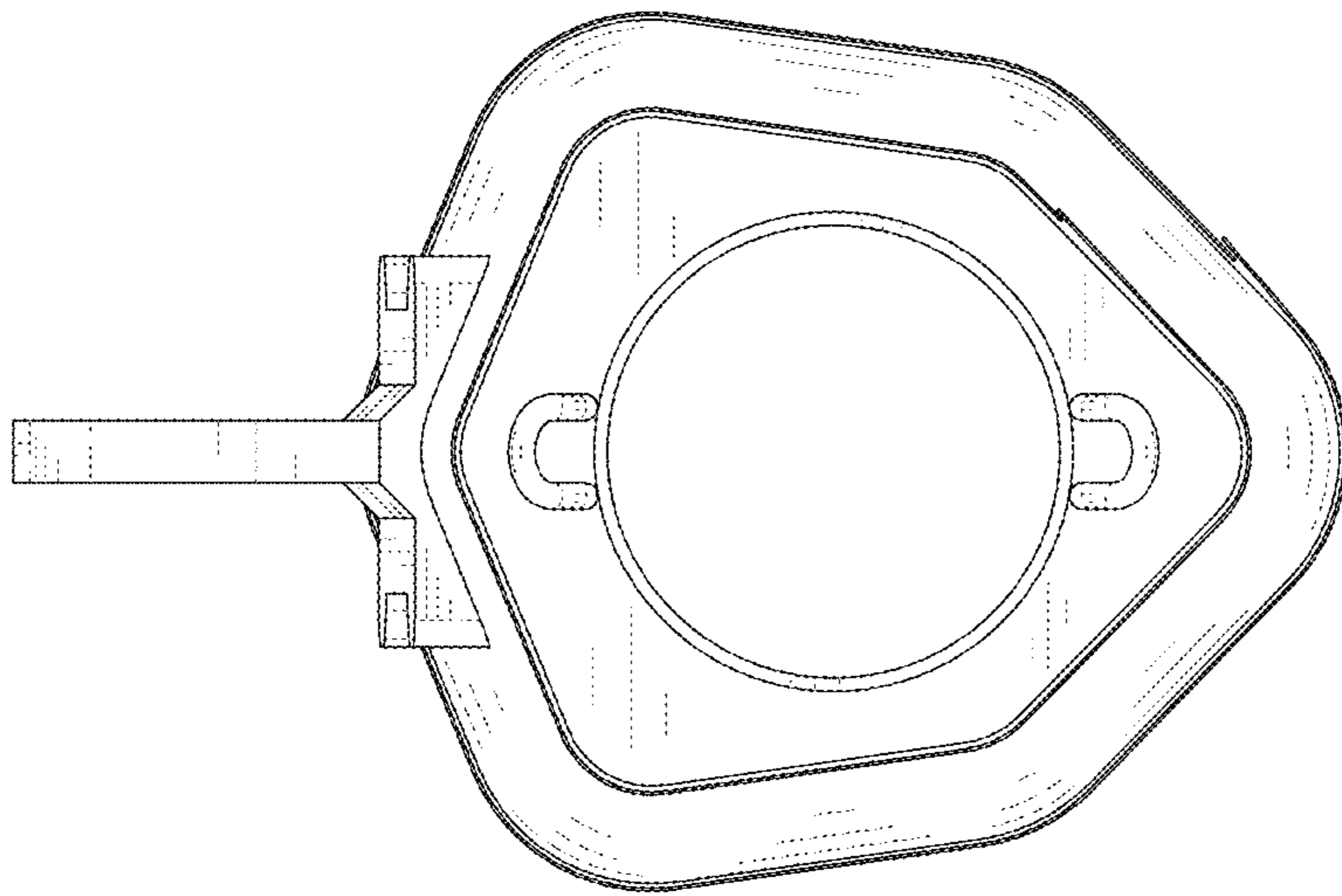
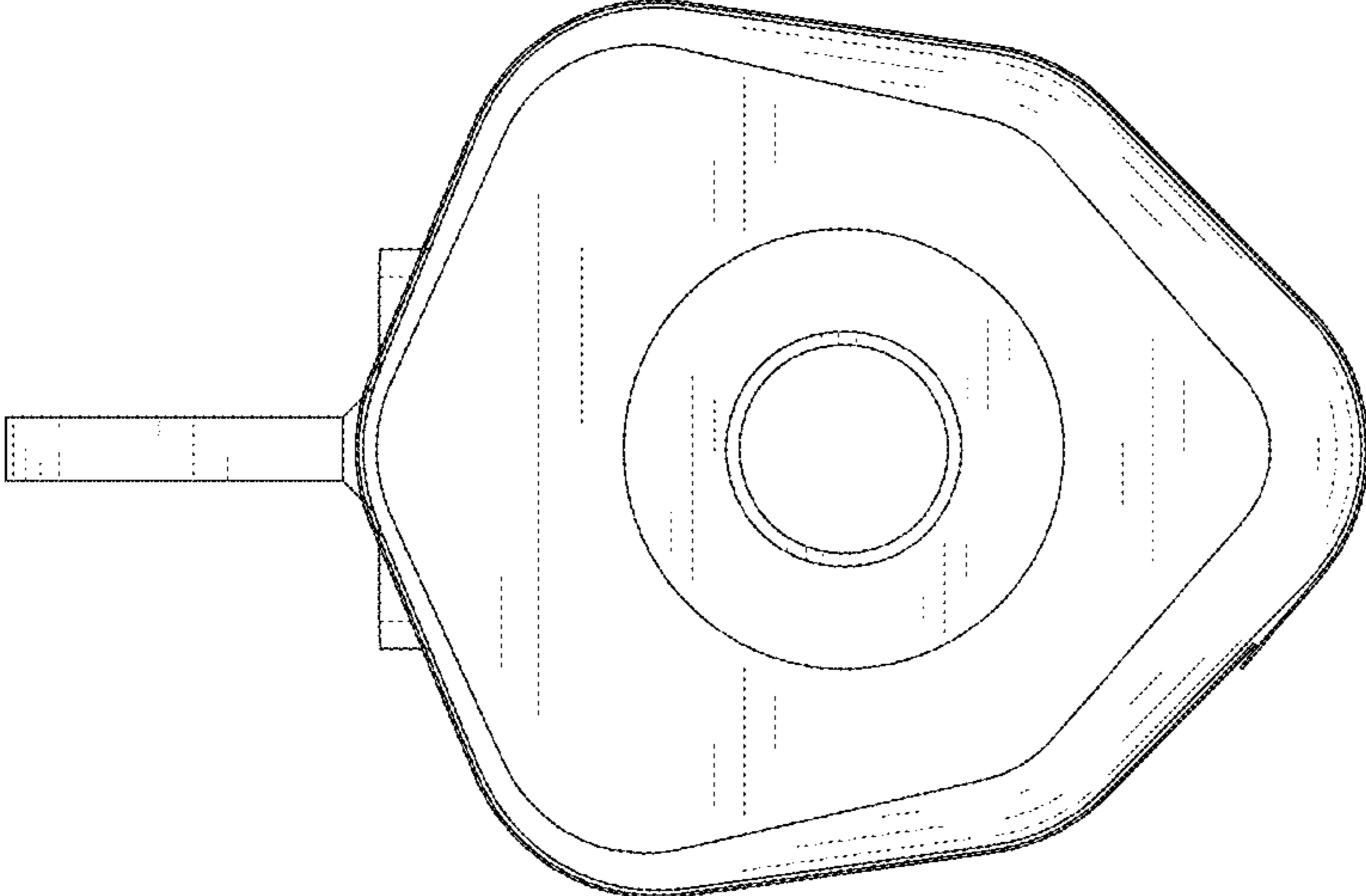


FIG. 2



**FIG. 3**



**FIG. 4**

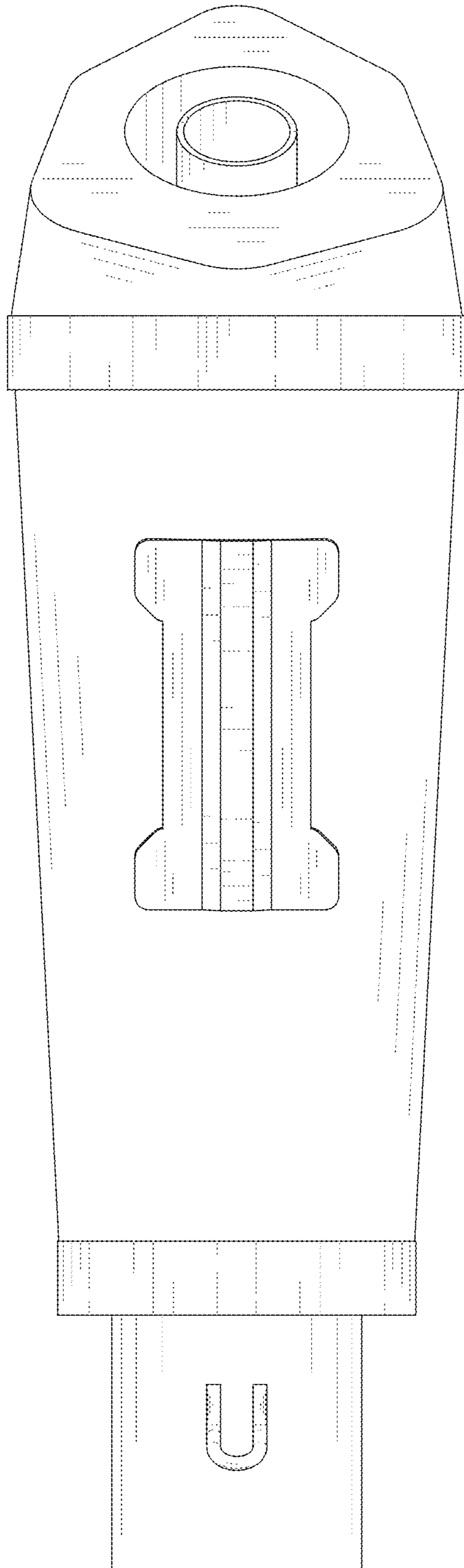


FIG. 5

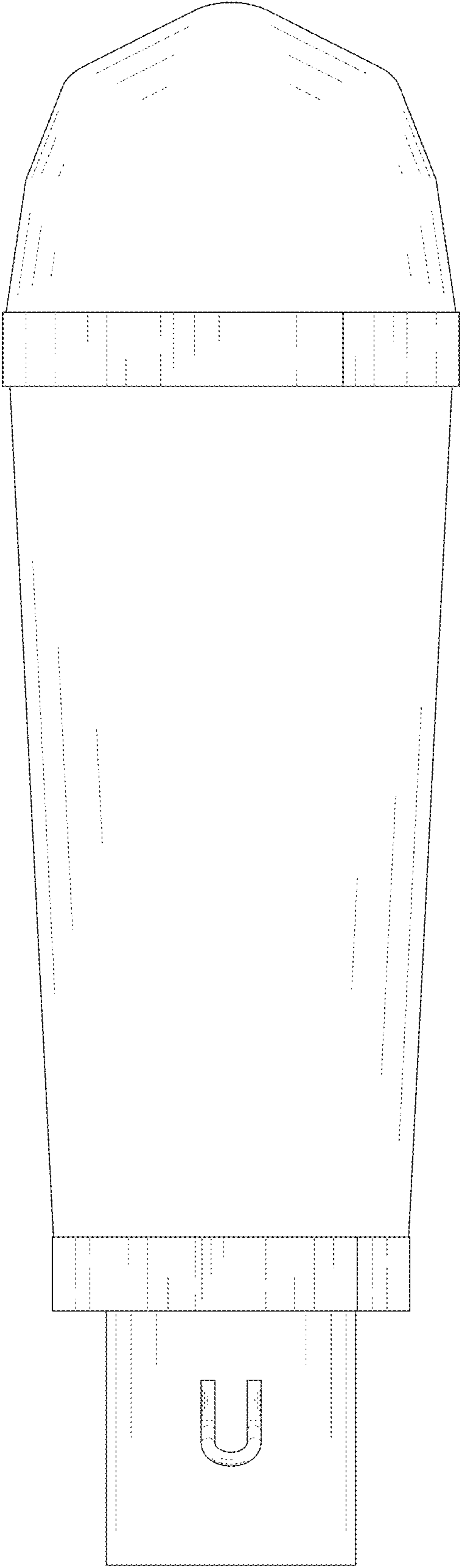


FIG. 6

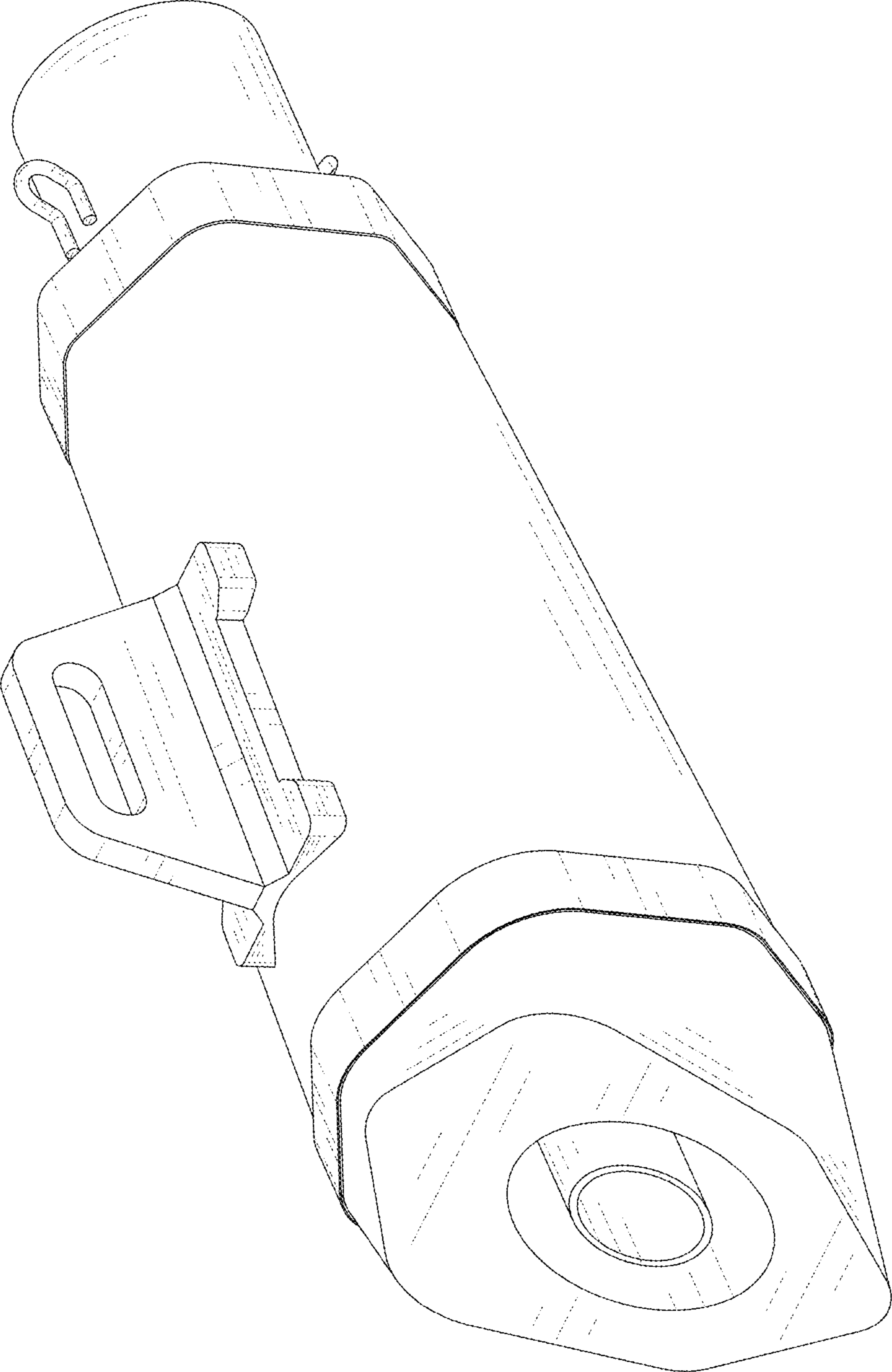


FIG. 7



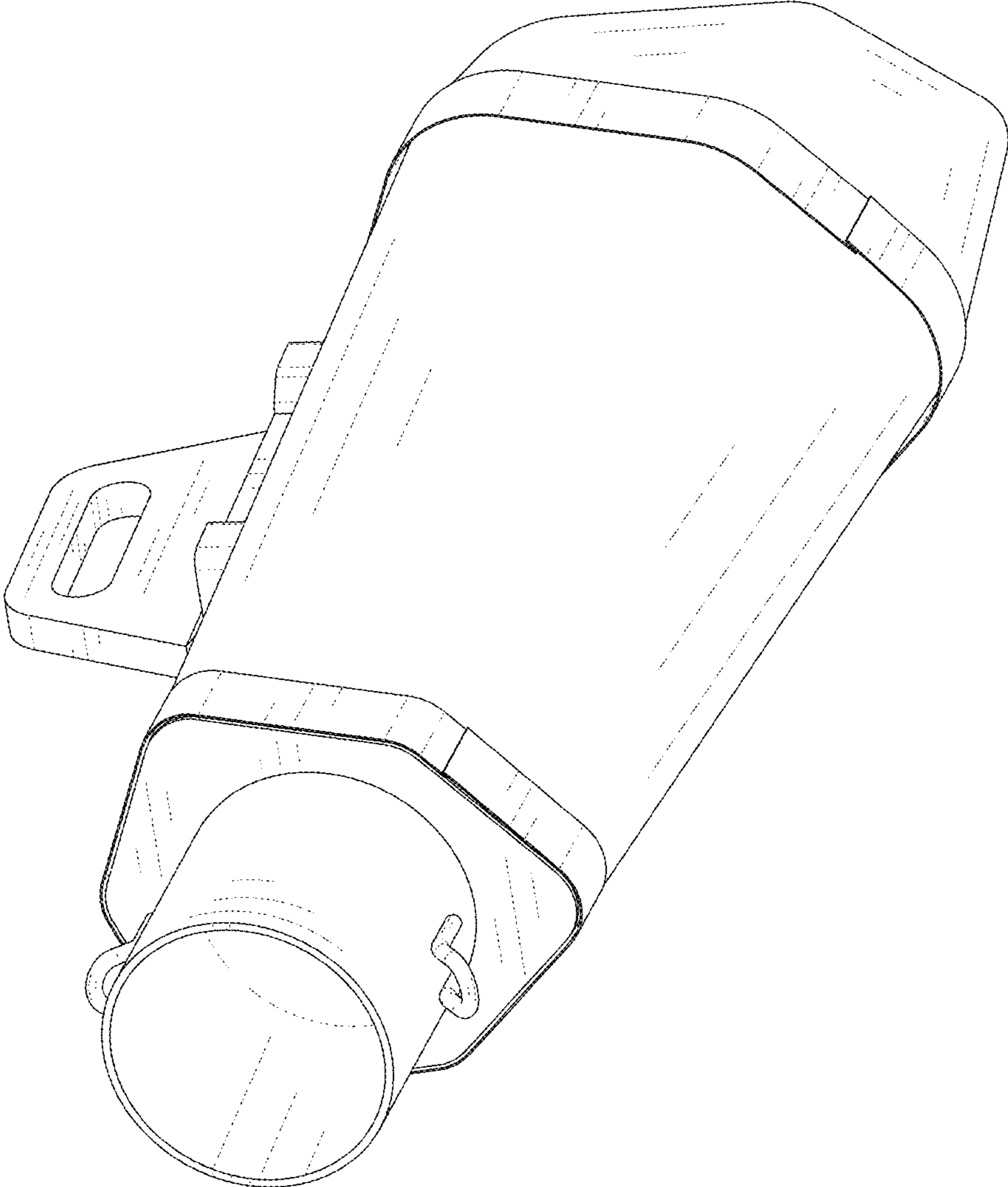


FIG. 8