



US00D940619S

(12) **United States Design Patent** (10) **Patent No.:** **US D940,619 S**  
**Jimenez et al.** (45) **Date of Patent:** **\*\* Jan. 11, 2022**

(54) **INSTRUMENT PANEL FOR A MOTOR VEHICLE**

(71) Applicant: **TOYOTA JIDOSHA KABUSHIKI KAISHA**, Toyota (JP)

(72) Inventors: **Benjamin Jimenez**, Ann Arbor, MI (US); **Hiroyuki Imai**, Ypsilanti, MI (US); **Kwang Ha Kim**, South Lyon, MI (US); **Cristian Farcas**, Wixom, MI (US)

(73) Assignee: **Toyota Jidosha Kabushiki Kaisha**, Toyota (JP)

(\*\*) Term: **15 Years**

(21) Appl. No.: **29/744,077**

(22) Filed: **Jul. 27, 2020**

(30) **Foreign Application Priority Data**

Jan. 29, 2020 (JP) ..... 2020-001519 D

(51) **LOC (13) Cl.** ..... **12-16**

(52) **U.S. Cl.**  
USPC ..... **D12/192**

(58) **Field of Classification Search**  
USPC ..... D12/192, 415, 114, 345; D15/17, 28; D10/46.98, 102-103, 122-127; D23/324  
CPC ..... B60H 1/34; B60H 1/3407; B60H 1/3414; B60H 1/3421; B60H 1/3428; B60H 1/3435; B60H 1/3442; B60H 1/345; B60H 1/3457; B60H 2001/3464; B60H 2001/3471; B60H 2001/3478; B60H 2001/3485

See application file for complete search history.

(56) **References Cited**

**U.S. PATENT DOCUMENTS**

D843,288 S \* 3/2019 Fontaeus ..... D12/192  
D847,054 S \* 4/2019 Yamada ..... D12/192

D847,057 S \* 4/2019 Kono ..... D12/192  
D853,919 S \* 7/2019 Hazumi ..... D12/192  
D860,892 S \* 9/2019 Ohmori ..... D12/192  
D863,162 S \* 10/2019 Schneider ..... D12/192  
D864,816 S \* 10/2019 Kabata ..... D12/192  
D881,095 S \* 4/2020 Finney ..... D12/192  
D895,500 S \* 9/2020 Nakao ..... D12/192  
D929,283 S \* 8/2021 Komatsu ..... D12/192

**OTHER PUBLICATIONS**

NetCarShow.com: [https://www.netcarshow.com/volkswagen/2017-id\\_buzz\\_concept/](https://www.netcarshow.com/volkswagen/2017-id_buzz_concept/); Model: Volkswagen ID Buzz Concept (2017); Mfg.: Volkswagen; available on at least Sep. 14, 2018.

Google: [https://www.google.com/search?q=buick+rendezvous+console&source=lnm&tbm=isch&sa=X&ved=0ahUKEwjw6YzFjqfcAhXEwFQKHc\\_iBL4Q\\_AUICygC&biw=1900&bih=1083#imgrc=vW9rl-rWVYdogM:&spf=1531864121231](https://www.google.com/search?q=buick+rendezvous+console&source=lnm&tbm=isch&sa=X&ved=0ahUKEwjw6YzFjqfcAhXEwFQKHc_iBL4Q_AUICygC&biw=1900&bih=1083#imgrc=vW9rl-rWVYdogM:&spf=1531864121231); Model: Buick Rendezvous (2002); Mfg.: Buick; available on at least Sep. 14, 2018.

\* cited by examiner

*Primary Examiner* — Katrina A Betton

(74) *Attorney, Agent, or Firm* — Finnegan, Henderson, Farabow, Garrett & Dunner, L.L.P.

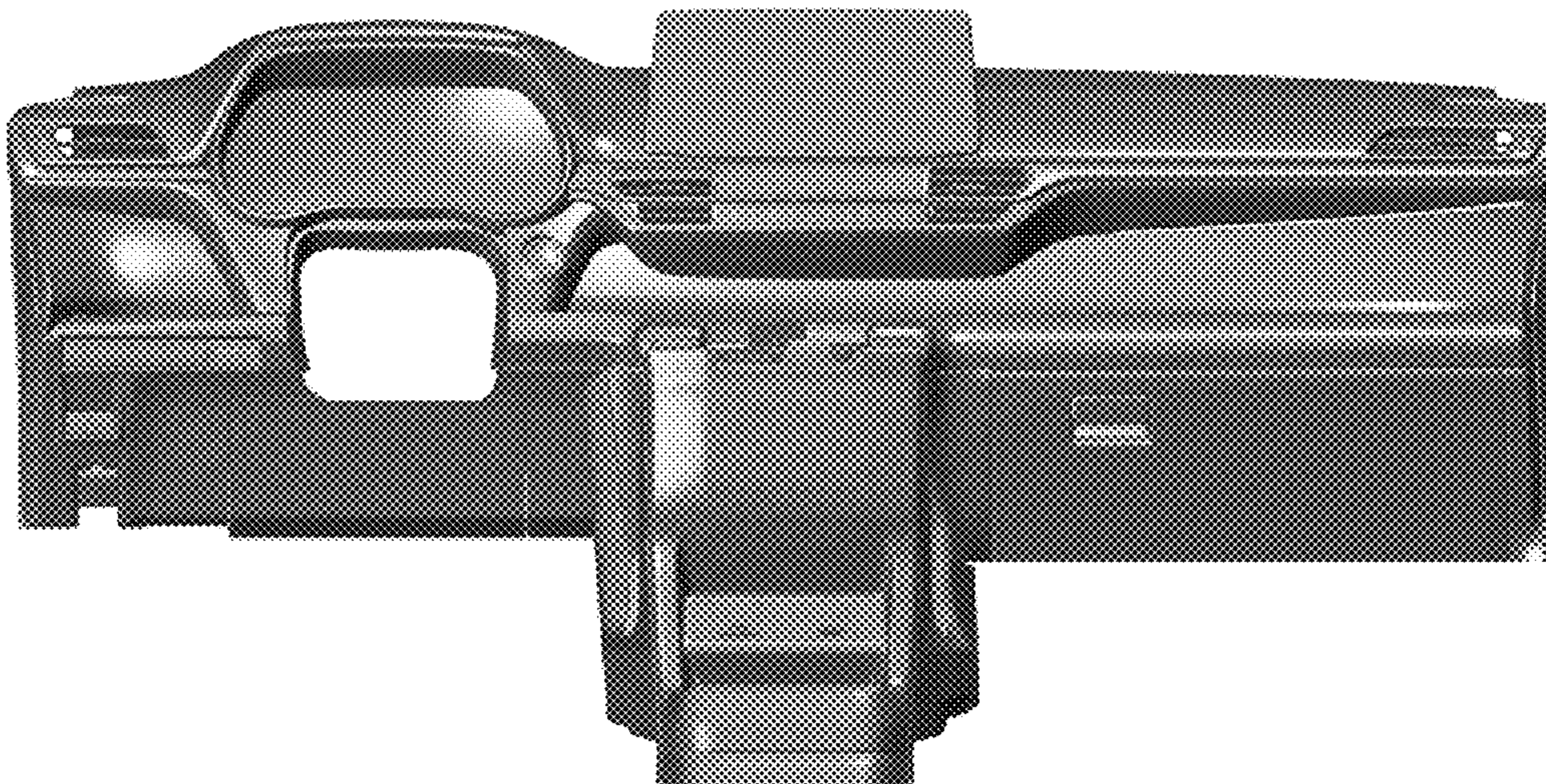
(57) **CLAIM**

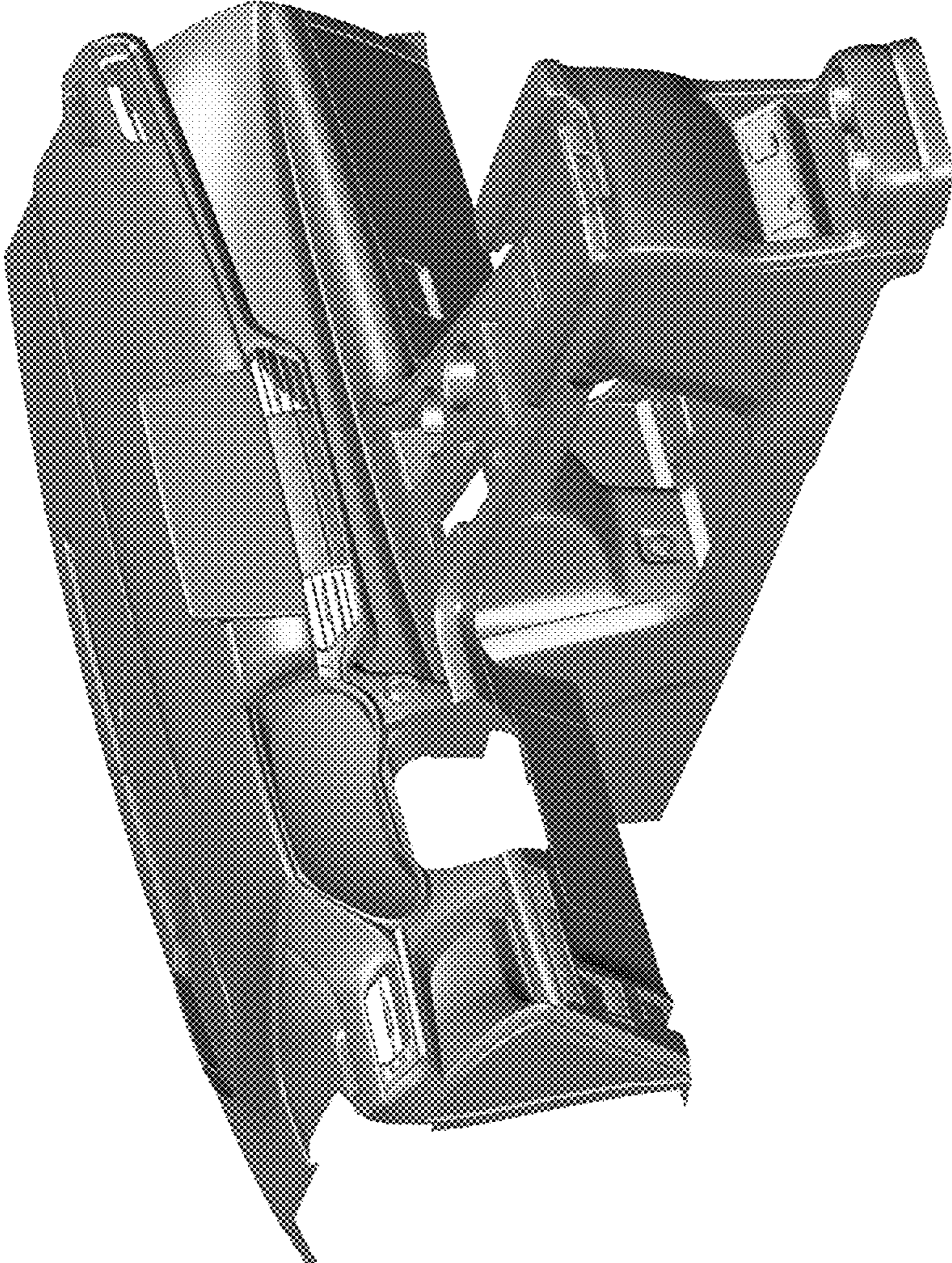
The ornamental design for an instrument panel for a motor vehicle, as shown and described.

**DESCRIPTION**

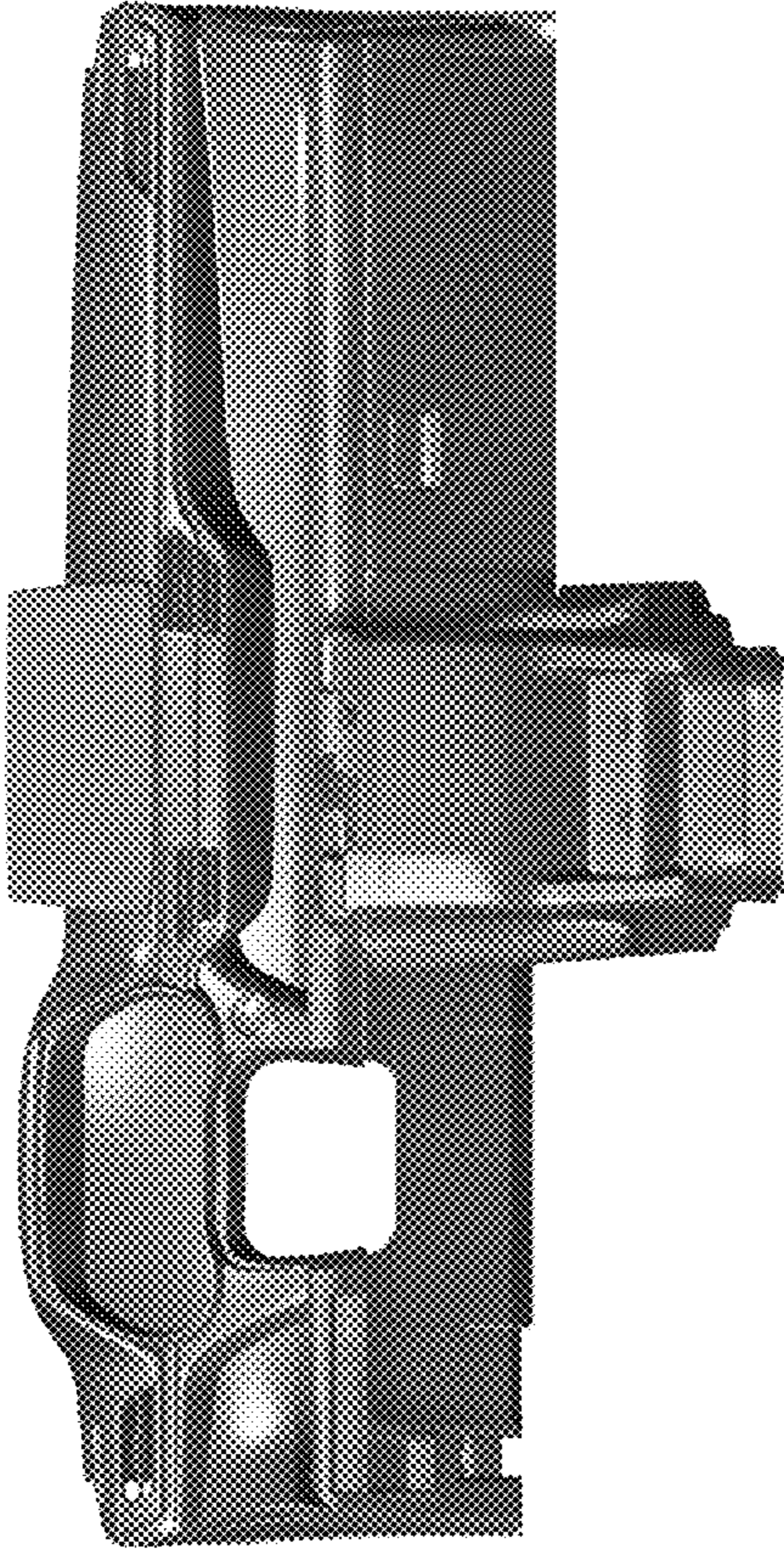
FIG. 1 is a front perspective view for an instrument panel for a motor vehicle, showing our new design;  
FIG. 2 is a front view thereof;  
FIG. 3 is a rear view thereof;  
FIG. 4 is a right side view thereof;  
FIG. 5 is a left side view thereof;  
FIG. 6 is a top view thereof; and,  
FIG. 7 is a bottom view thereof.  
Our design includes the mirror image of the embodiment depicted.

**1 Claim, 7 Drawing Sheets**

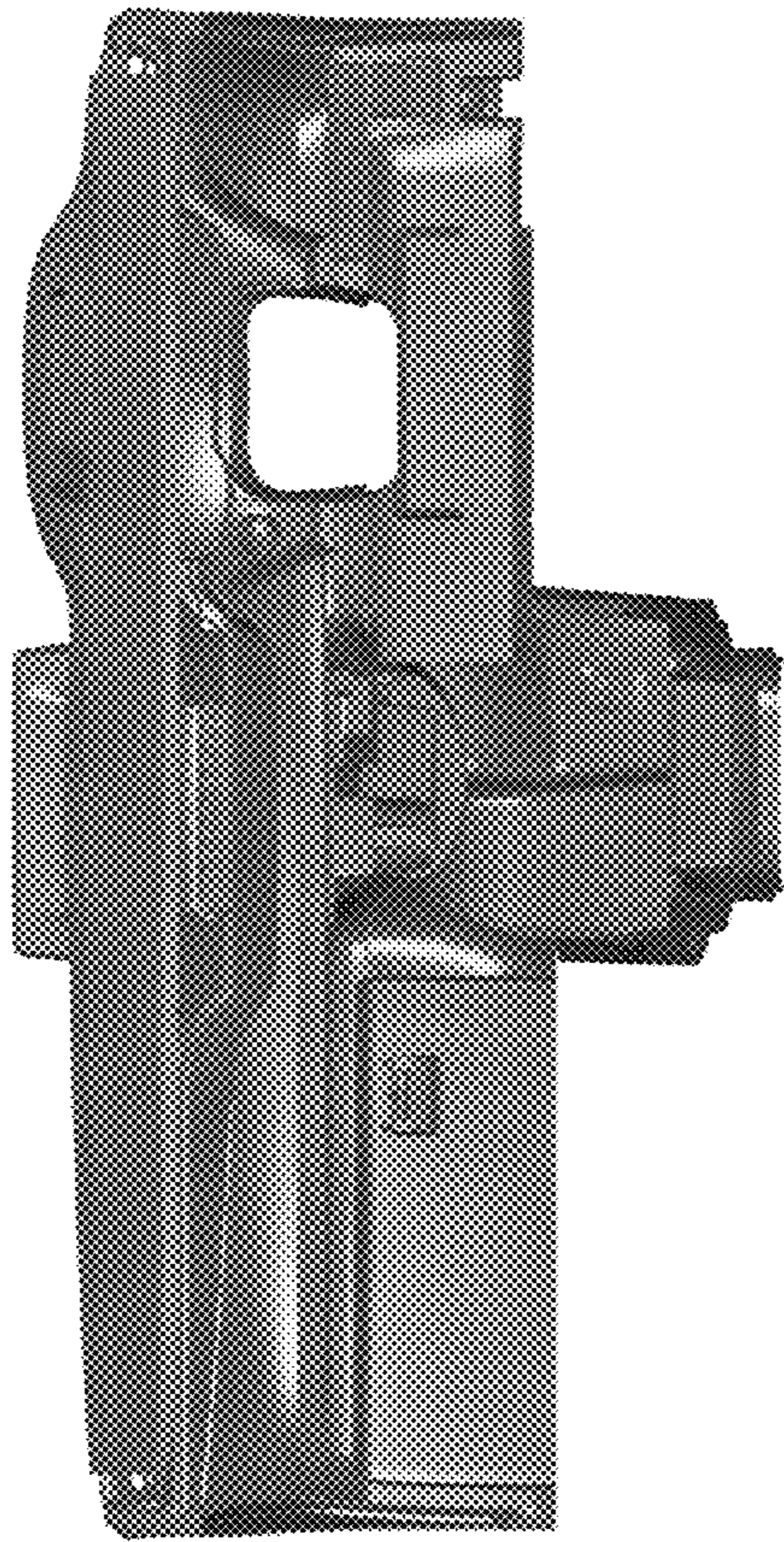




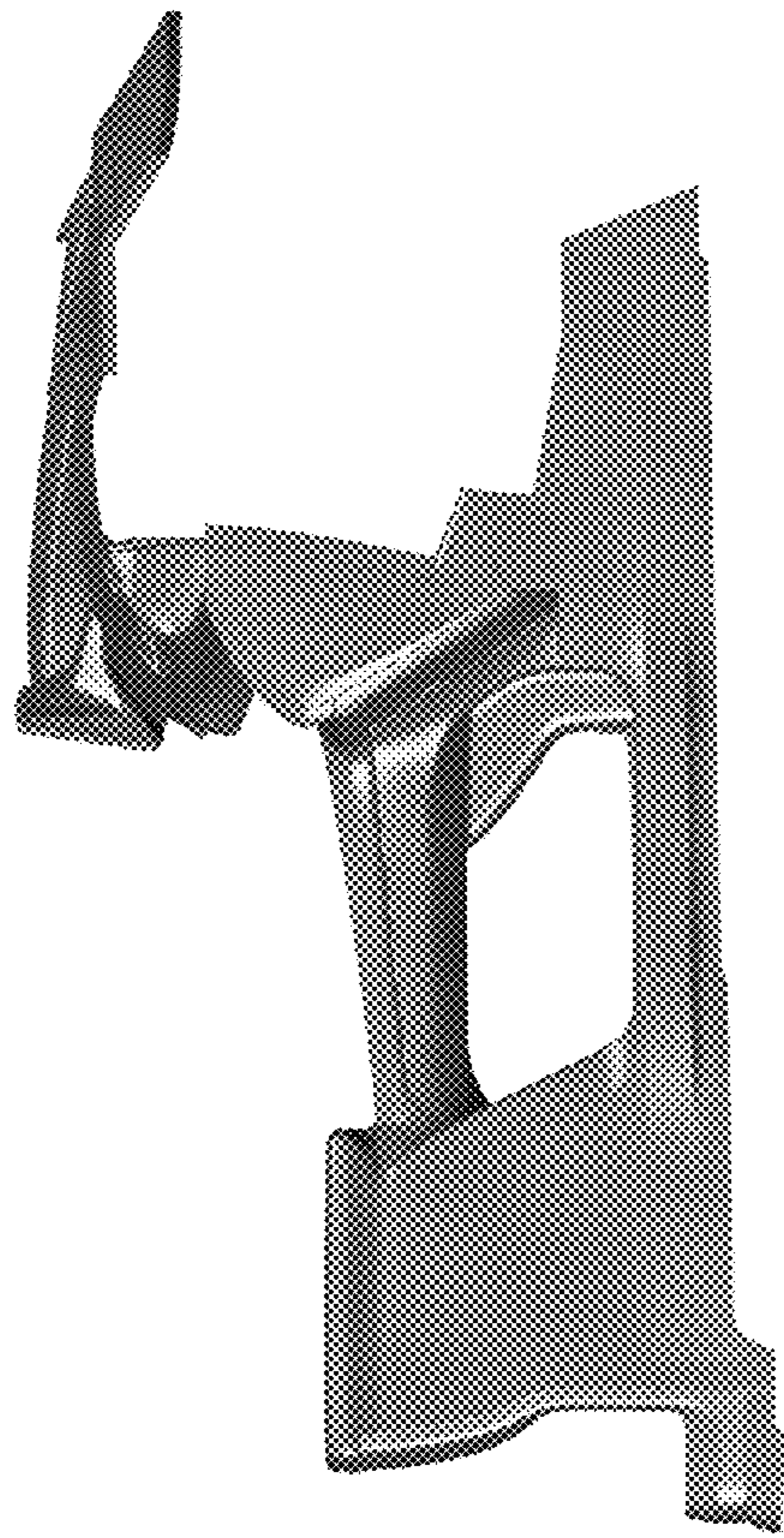
**FIG. 1**



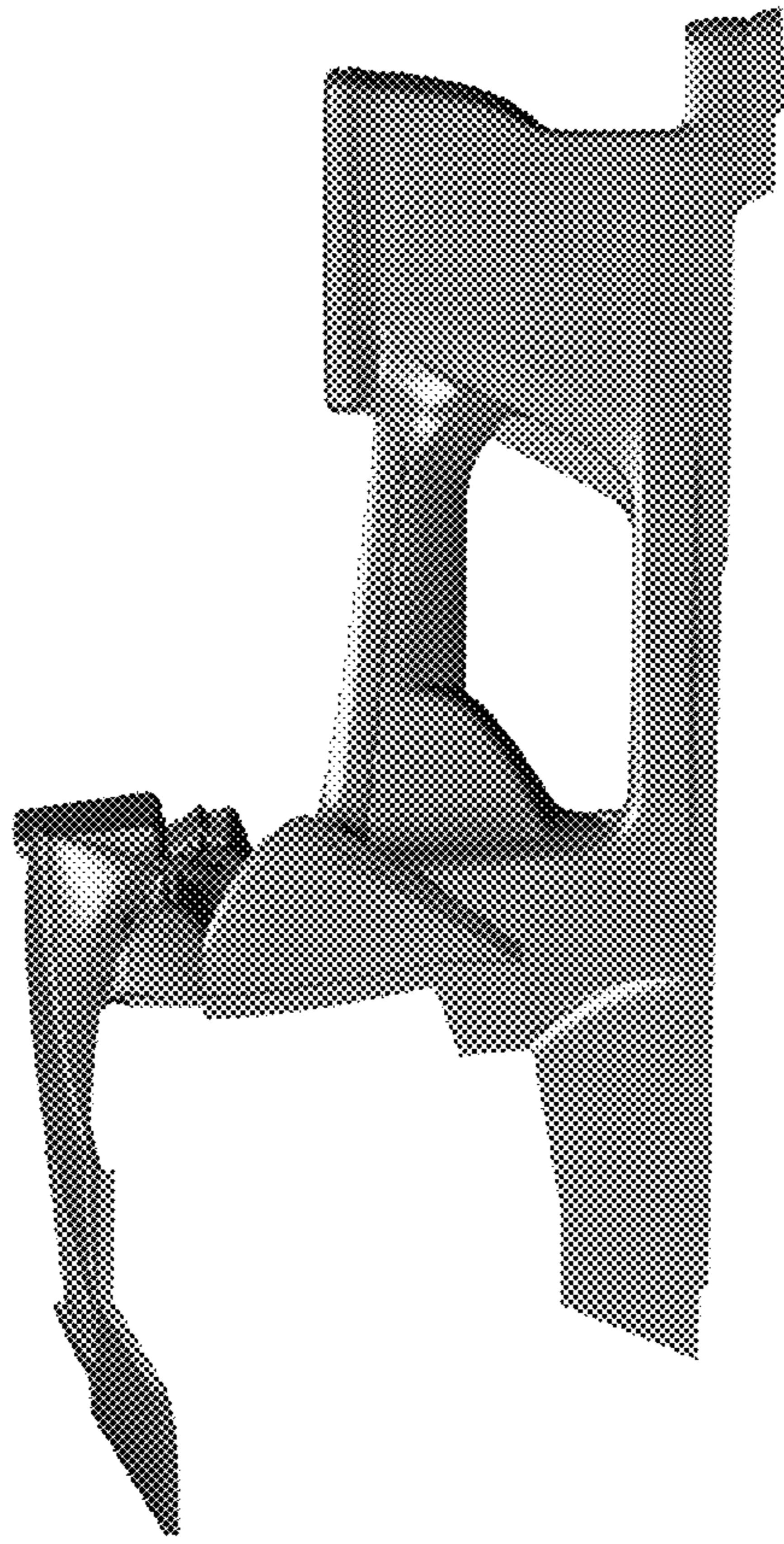
**FIG. 2**



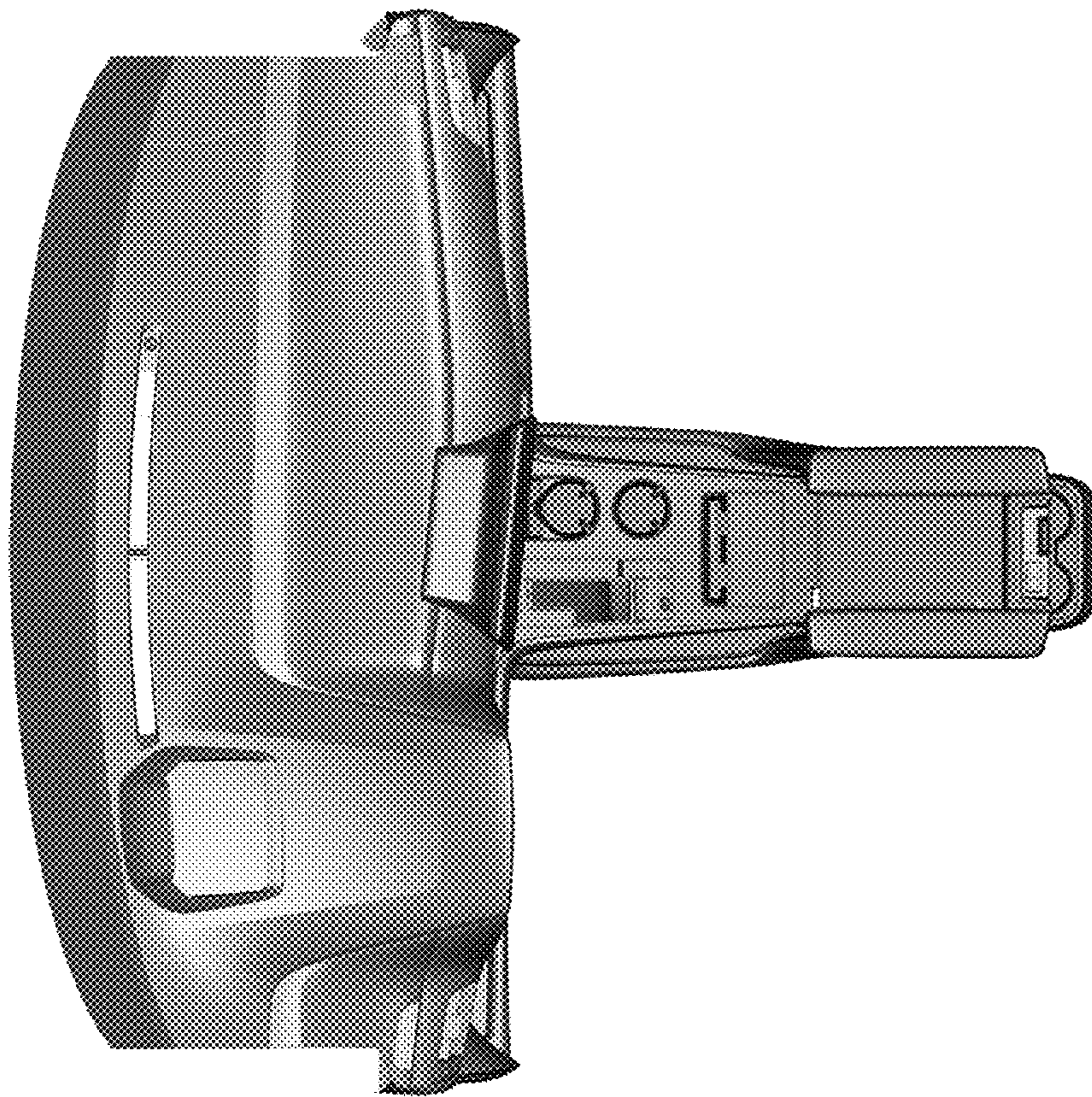
**FIG. 3**



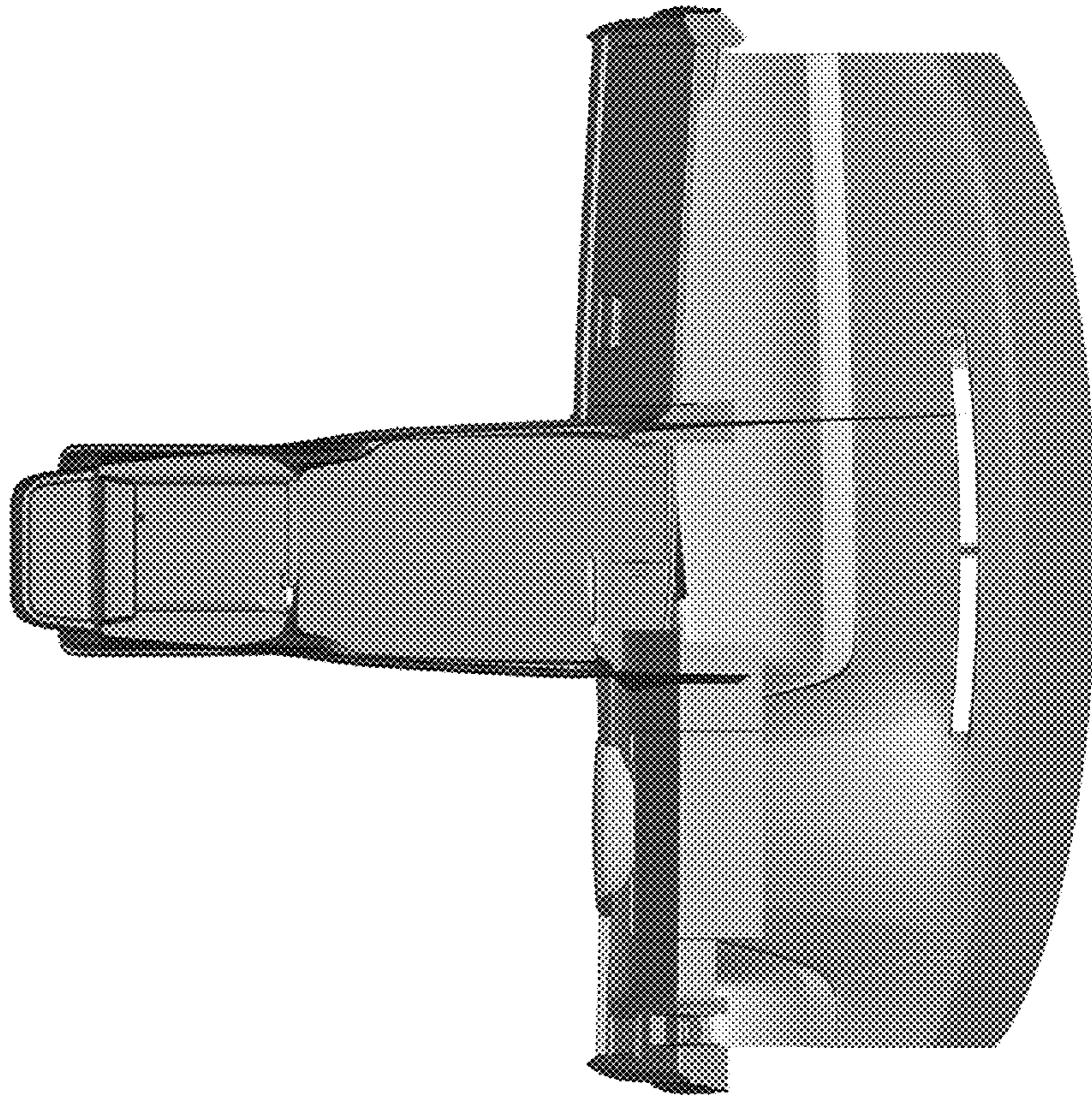
**FIG. 4**



**FIG. 5**



**FIG. 6**



**FIG. 7**