



US00D940618S

(12) **United States Design Patent** (10) **Patent No.:** **US D940,618 S**  
**Hong et al.** (45) **Date of Patent:** **\*\* Jan. 11, 2022**

(54) **CONSOLE FOR VEHICLE**

*Primary Examiner* — Katrina A Betton

(71) Applicant: **Samsung Electronics Co., Ltd.**,  
Suwon-si (KR)

(74) *Attorney, Agent, or Firm* — NSIP Law

(72) Inventors: **Kwaneui Hong**, Suwon-si (KR);  
**Sungkwon Kim**, Suwon-si (KR);  
**Jeisung Park**, Suwon-si (KR)

(57) **CLAIM**

(73) Assignee: **Samsung Electronics Co., Ltd.**,  
Suwon-si (KR)

We claim the ornamental design for a console for vehicle, as shown and described.

(\*\*) Term: **15 Years**

**DESCRIPTION**

(21) Appl. No.: **29/684,813**

(22) Filed: **Mar. 25, 2019**

(30) **Foreign Application Priority Data**

Dec. 20, 2018 (KR) ..... 30-2018-0060644

(51) **LOC (13) Cl.** ..... **12-16**

(52) **U.S. Cl.**  
USPC ..... **D12/192**

(58) **Field of Classification Search**  
USPC ..... D12/192, 415, 114, 345; D15/17, 28;  
D10/46.98, 102–103, 122–127; D23/324  
CPC ..... B60H 1/34; B60H 1/3407; B60H 1/3414;  
B60H 1/3421; B60H 1/3428; B60H  
1/3435; B60H 1/3442; B60H 1/345;  
B60H 1/3457;

(Continued)

(56) **References Cited**

**U.S. PATENT DOCUMENTS**

D843,288 S \* 3/2019 Fontaeus ..... D12/192  
D847,054 S \* 4/2019 Yamada ..... D12/192  
D847,057 S \* 4/2019 Kono ..... D12/192

(Continued)

**FOREIGN PATENT DOCUMENTS**

CN 201530314913 2/2016  
CN 201730567325 5/2018

(Continued)

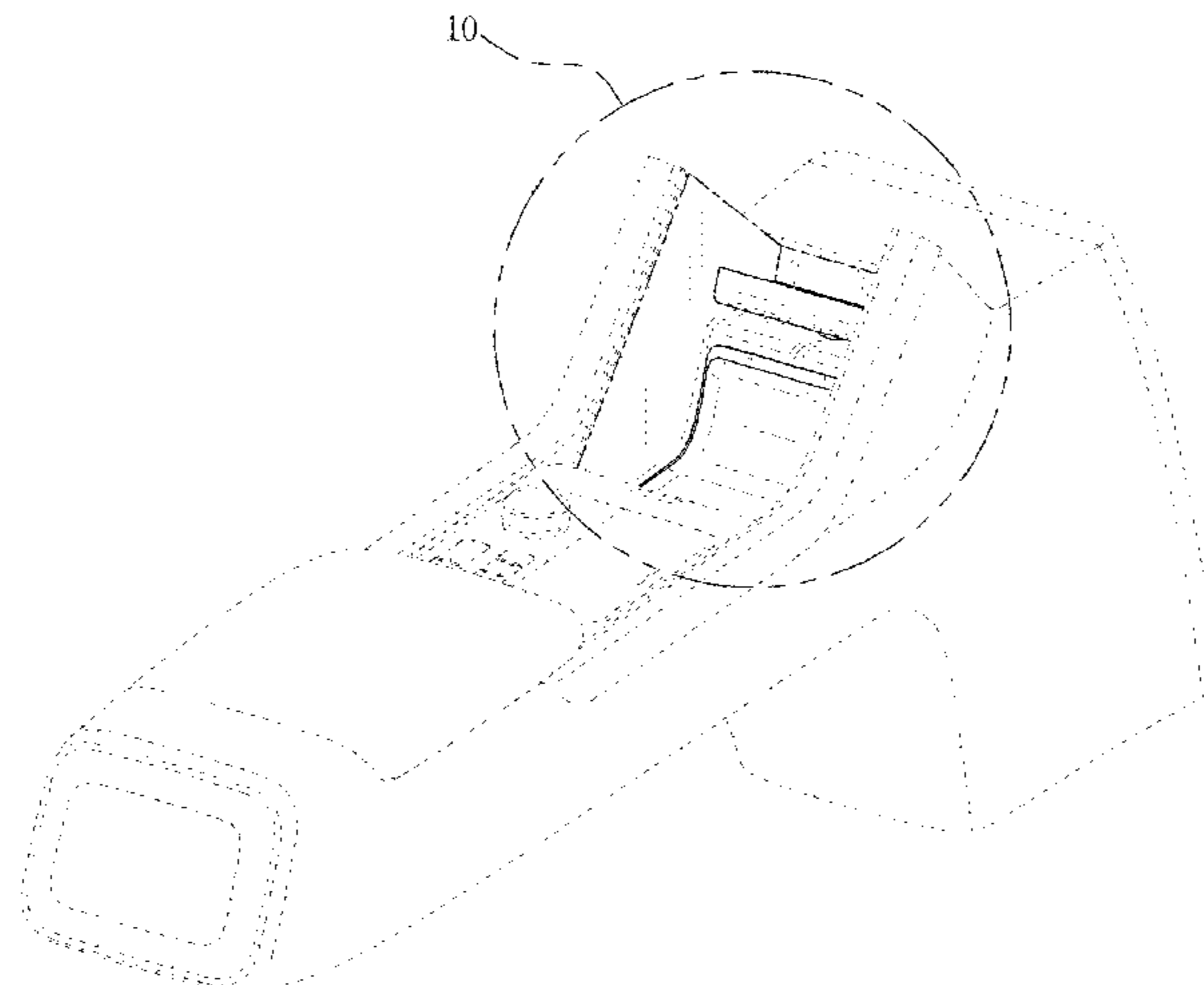
FIG. 1 is a front perspective view of a console for vehicle showing our new design;  
FIG. 2 is a front view thereof;  
FIG. 3 is a rear view thereof;  
FIG. 4 is a left-side view thereof;  
FIG. 5 is a right-side view thereof;  
FIG. 6 is a top view thereof;  
FIG. 7 is a bottom view thereof  
FIG. 8 is another front perspective view thereof;  
FIG. 9 is an enlarged view of the portion 9 encircled in FIG. 1;  
FIG. 10 is an enlarged view of the portion 10 encircled in FIG. 8;  
FIG. 11 is a front perspective view thereof showing a first example state of use;  
FIG. 12 is another front perspective view thereof showing a second example state of use;  
FIG. 13 is another front perspective view thereof showing a third example state of use; and,  
FIG. 14 is an enlarged view of the portion 14 encircled in FIG. 13.

The evenly-dashed broken lines in the figures depict environmental subject matter and form no part of the claimed design.

The dot dash broken lines in the figures represent boundaries of the claimed design and form no part thereof.

The dot-dot-dash broken lines encircling portions of the claimed design that are illustrated in enlargements form no part of the claimed design.

**1 Claim, 14 Drawing Sheets**



(58) **Field of Classification Search**

CPC .. B60H 2001/3464; B60H 2001/3471; B60H  
2001/3478; B60H 2001/3485

See application file for complete search history.

(56) **References Cited**

U.S. PATENT DOCUMENTS

D853,919	S	*	7/2019	Hazumi	.....	D12/192
D860,892	S	*	9/2019	Ohmori	.....	D12/192
D863,162	S	*	10/2019	Schneider	.....	D12/192
D864,816	S	*	10/2019	Kabata	.....	D12/192
D881,095	S	*	4/2020	Finney	.....	D12/192
D895,500	S	*	9/2020	Nakao	.....	D12/192
D929,283	S	*	8/2021	Komatsu	.....	D12/192

FOREIGN PATENT DOCUMENTS

CN	201730597146	5/2018
EM	002679134-0003	4/2015
WO	DM/101 519	5/2018

\* cited by examiner

FIG. 1

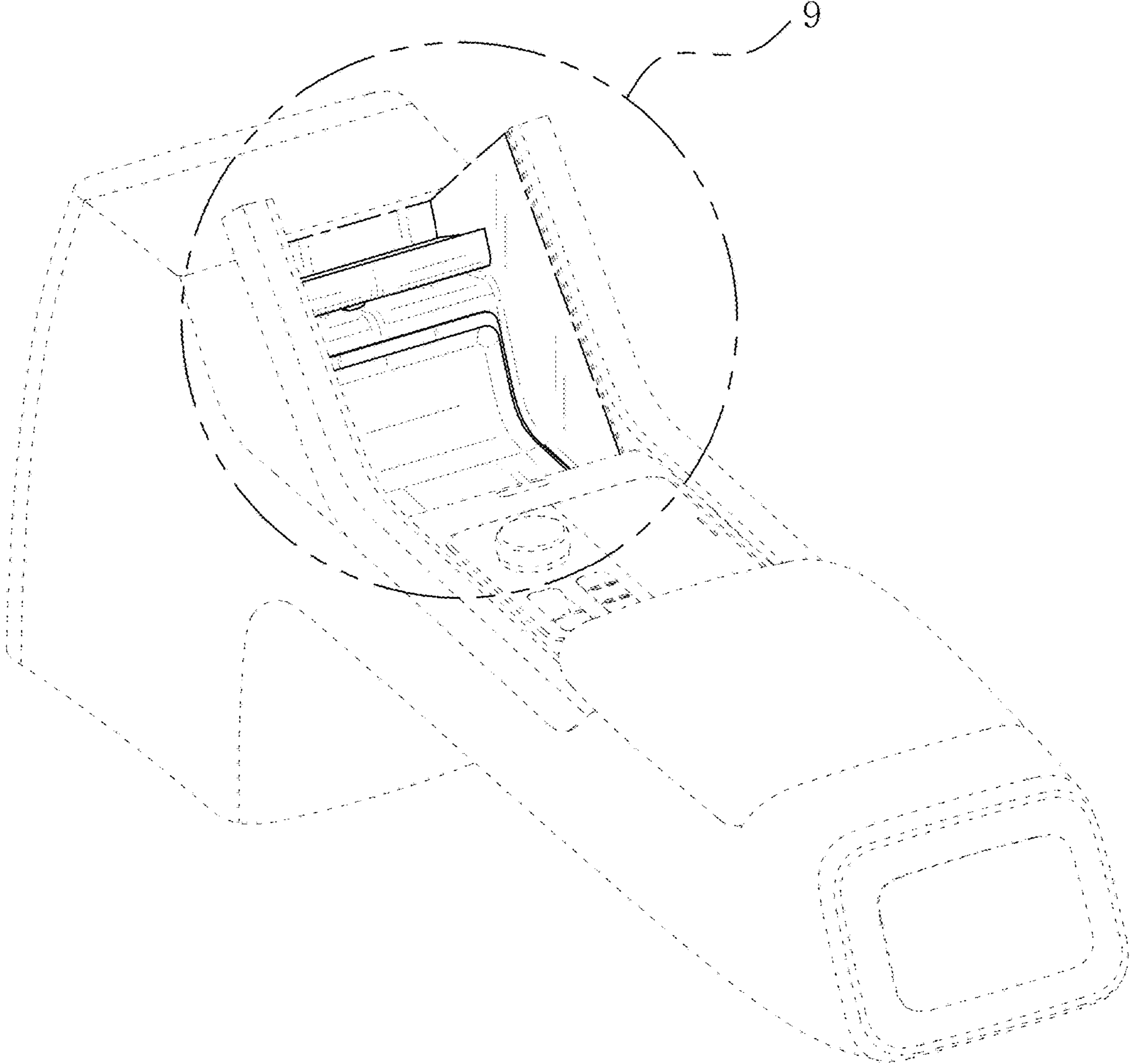


FIG. 2

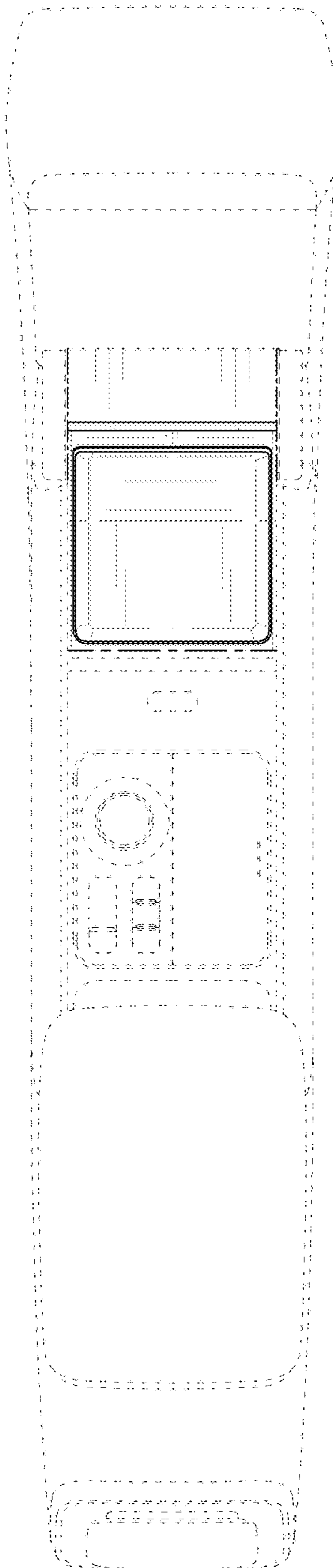


FIG. 3

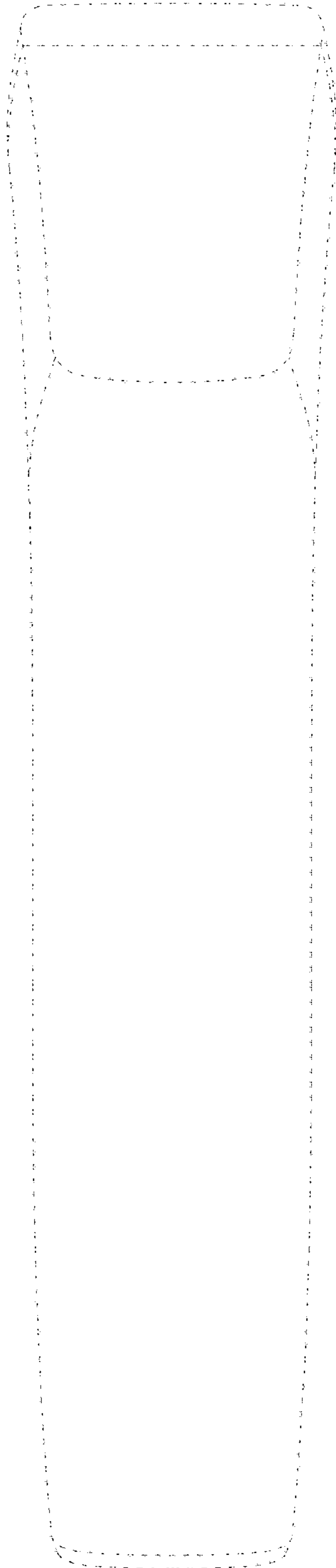


FIG. 4

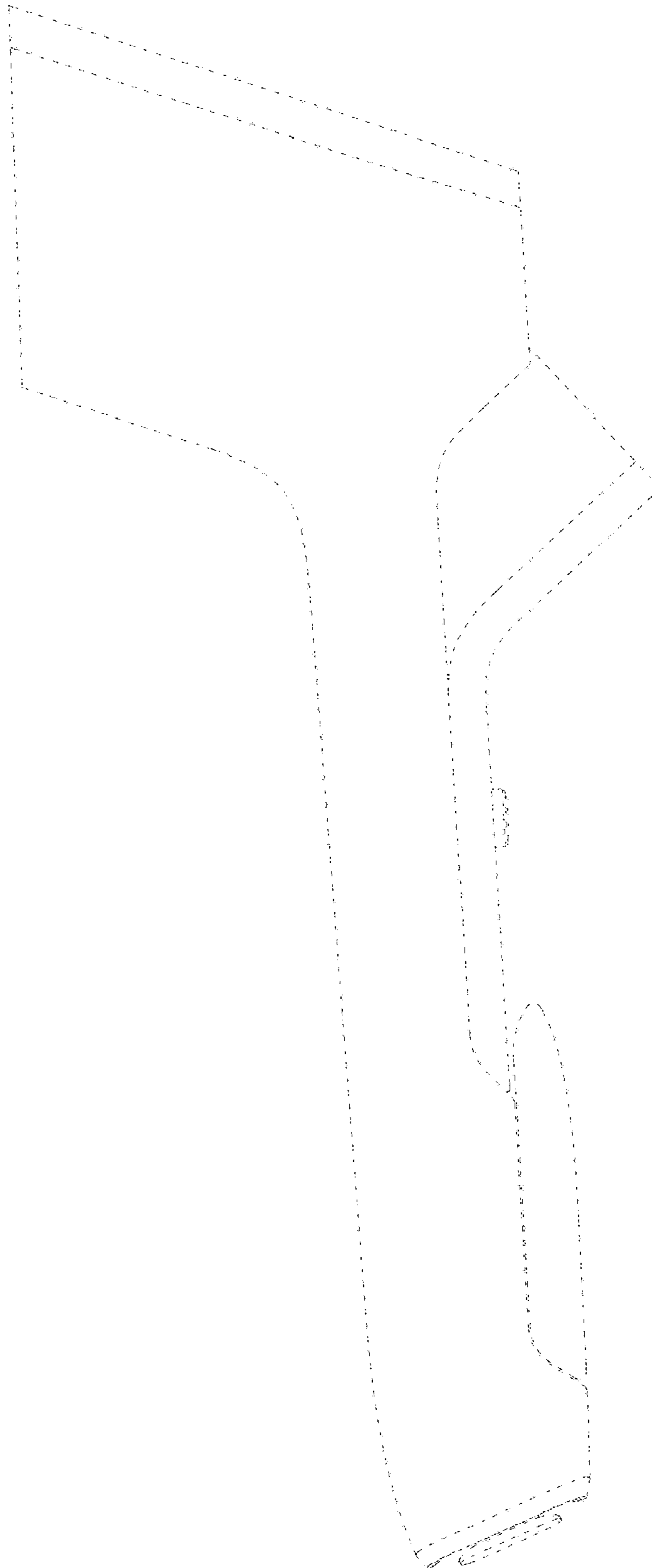


FIG. 5

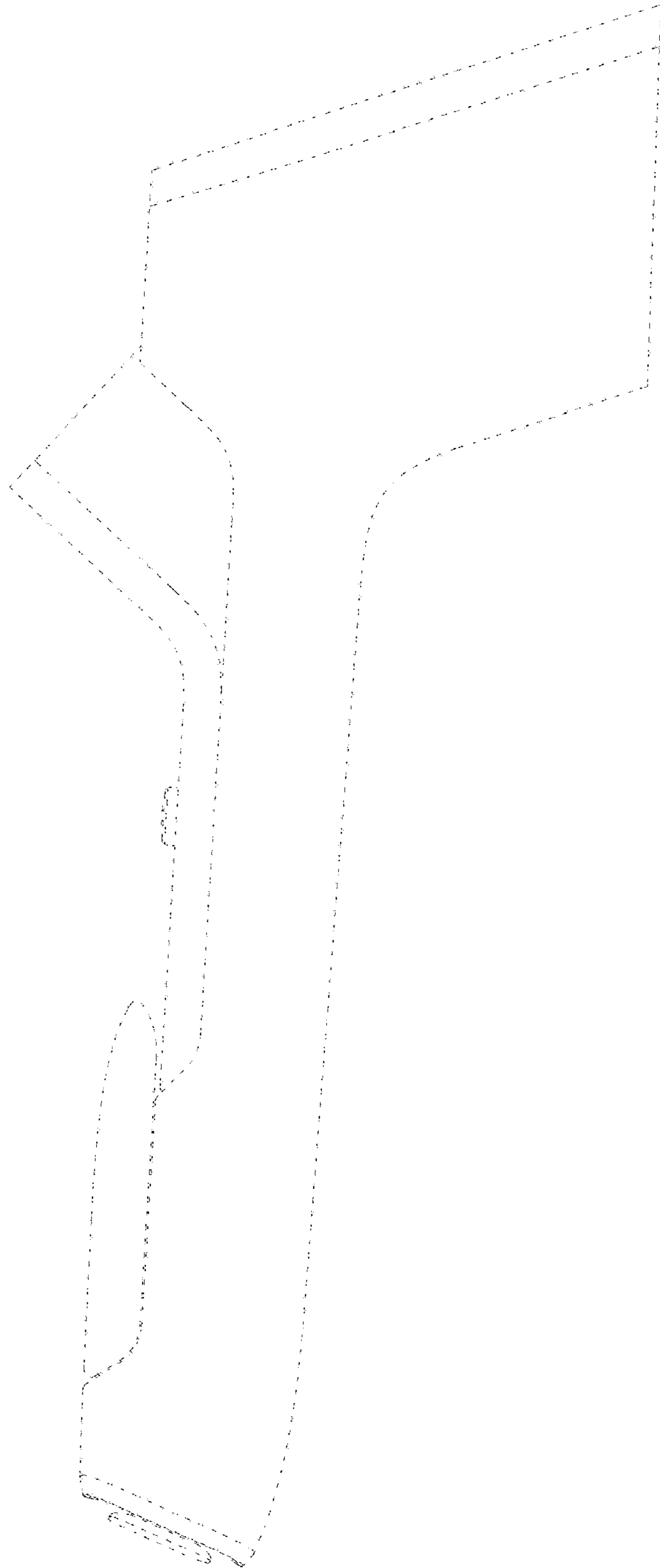


FIG. 6

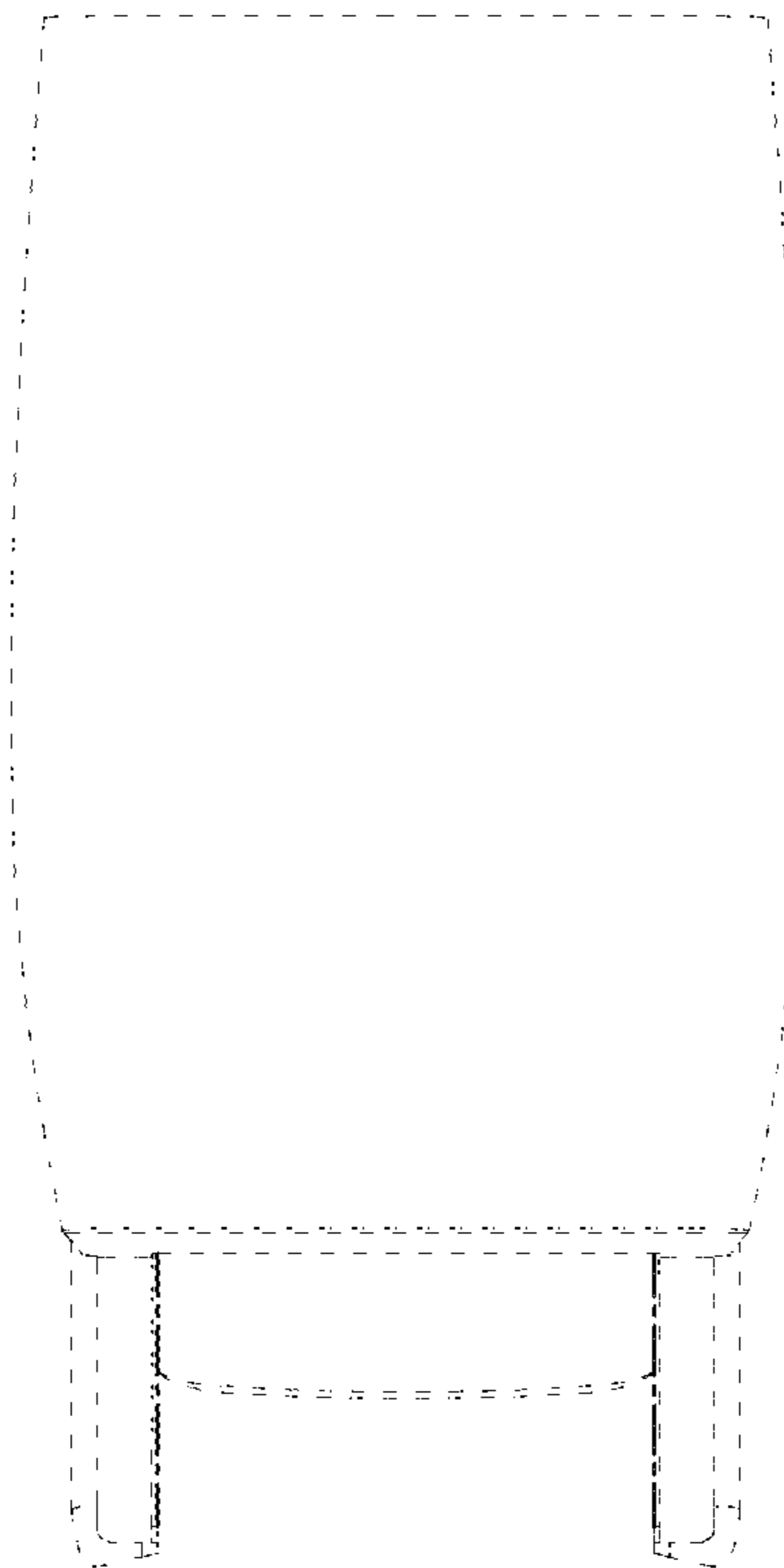




FIG. 7

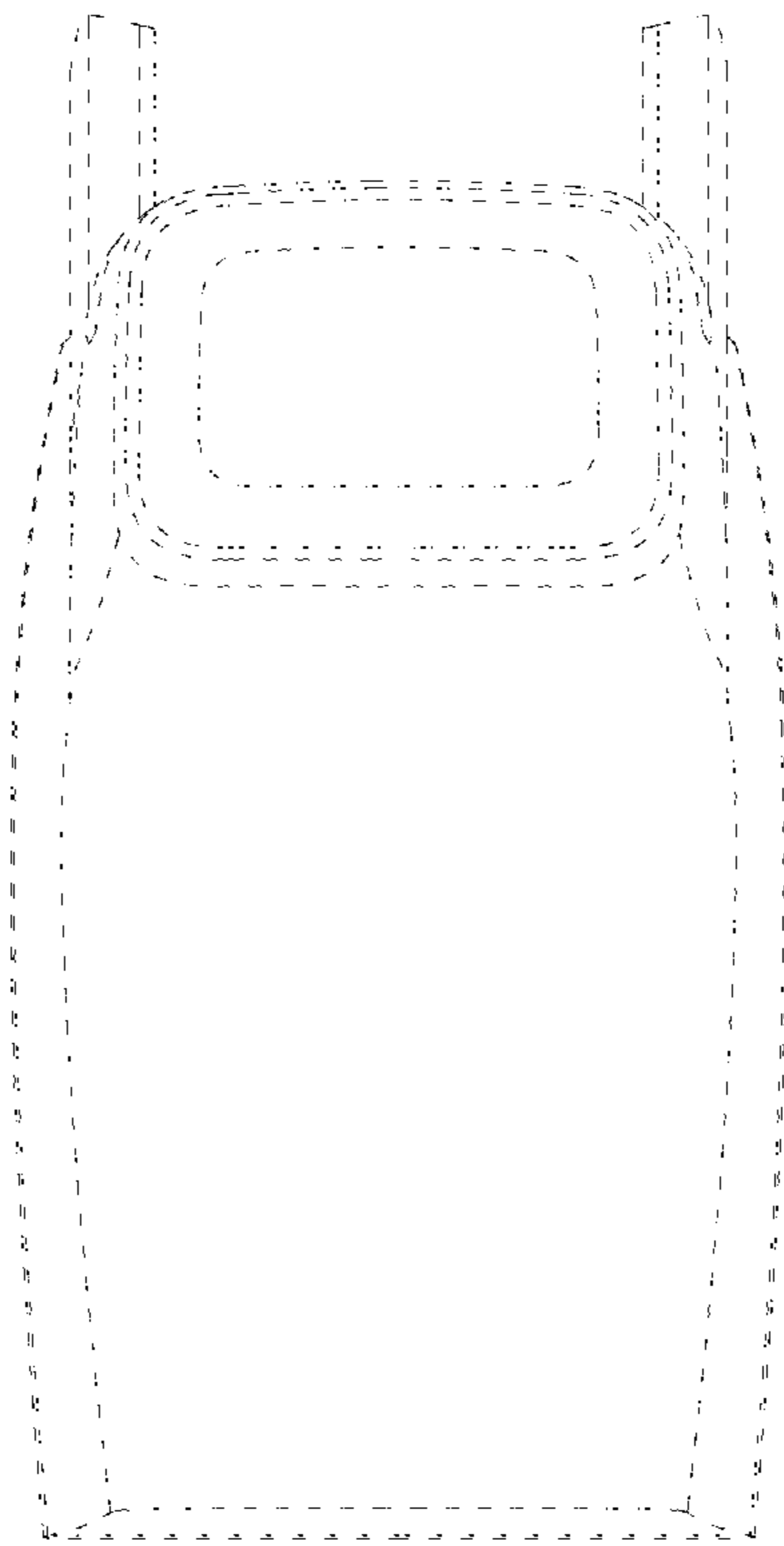


FIG. 8

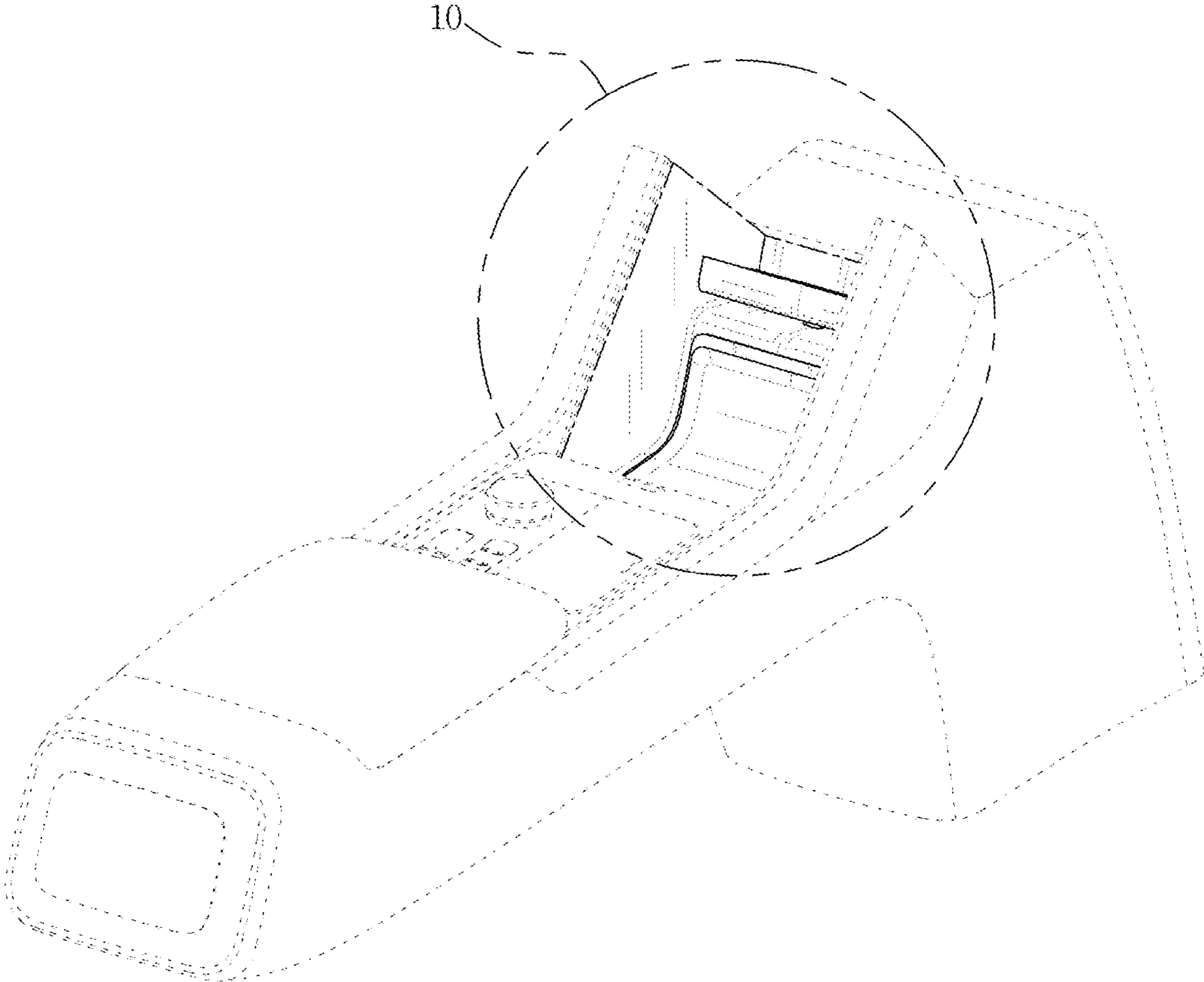


FIG. 9

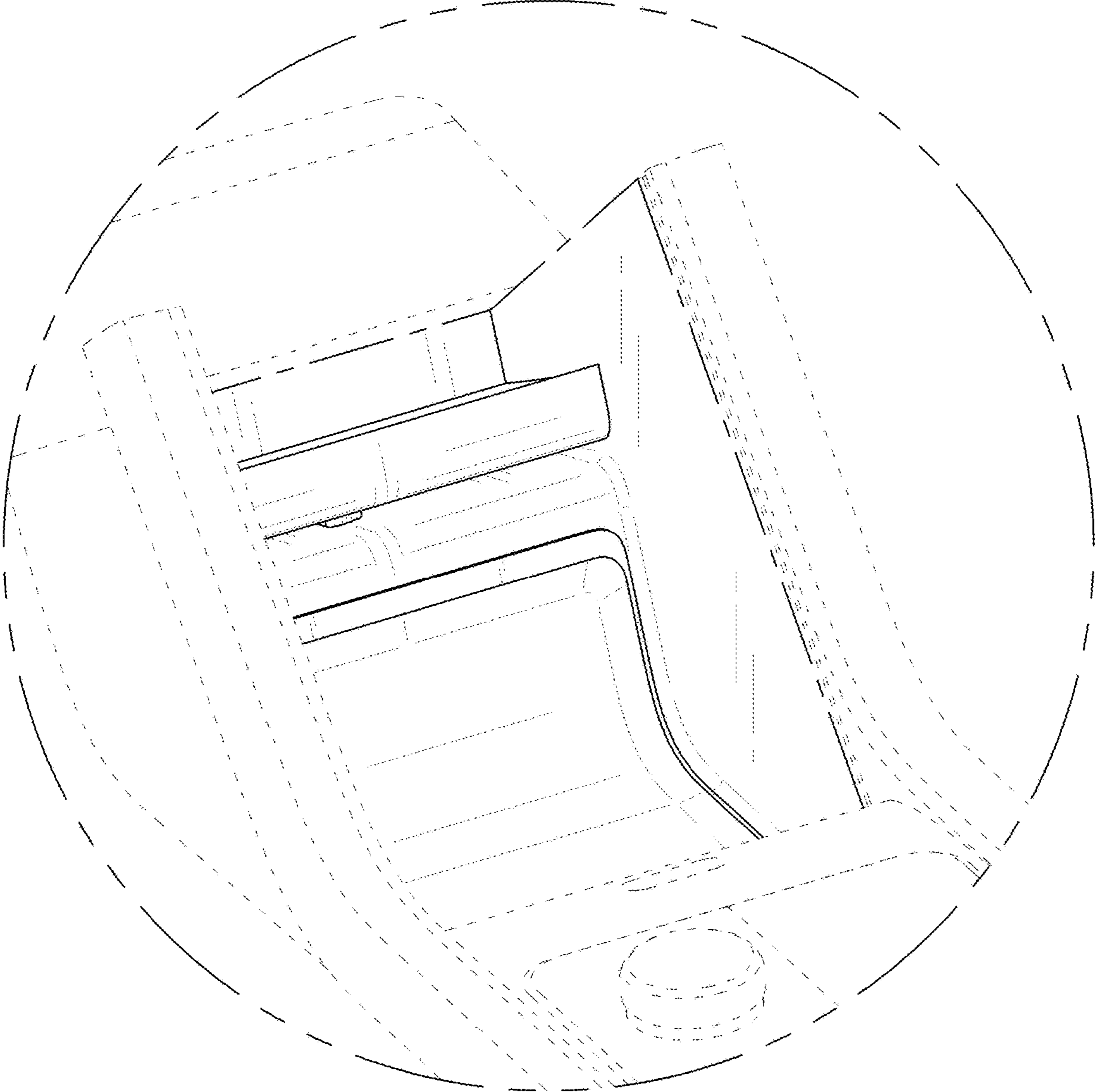


FIG. 10

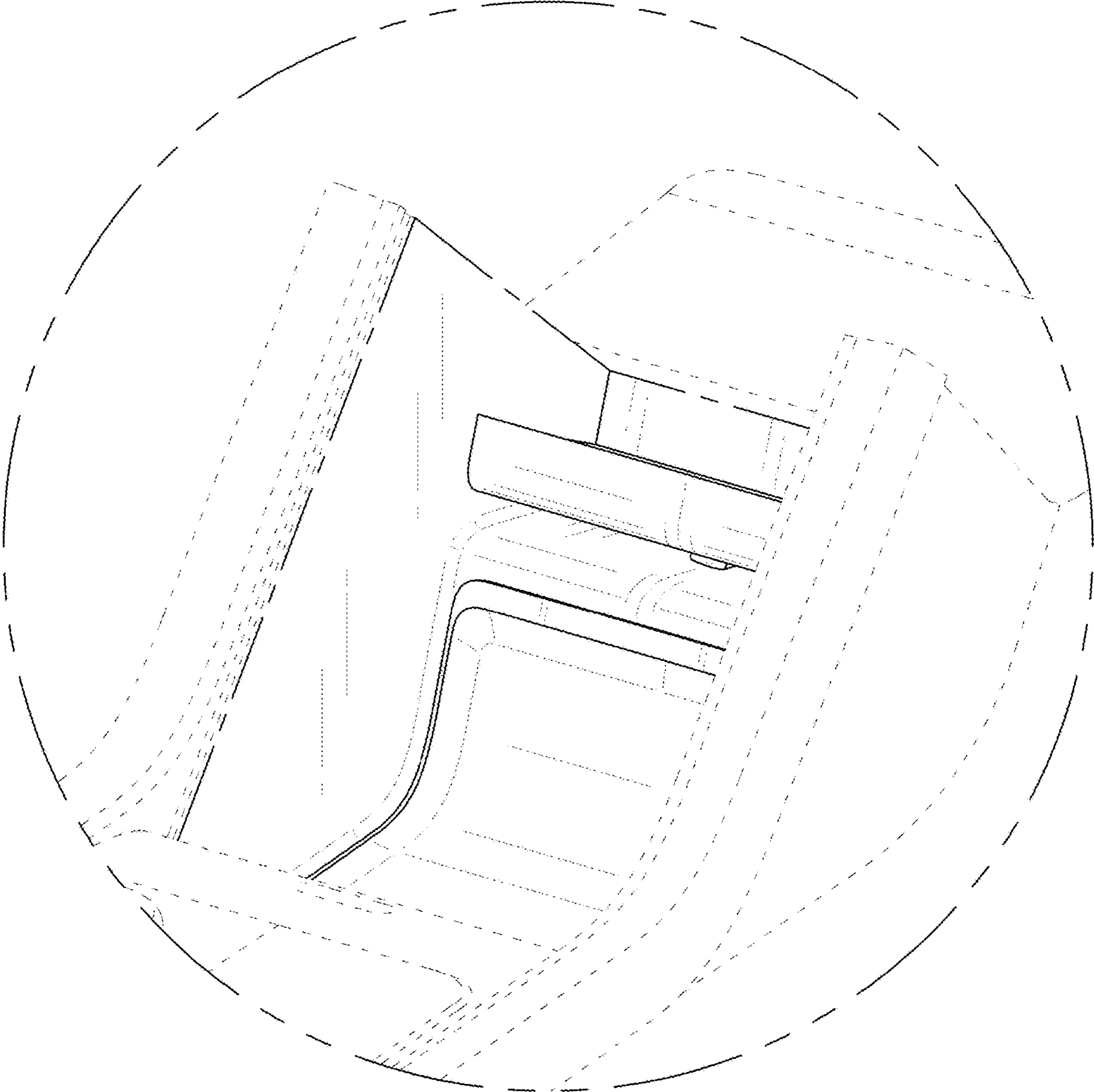


FIG. 11

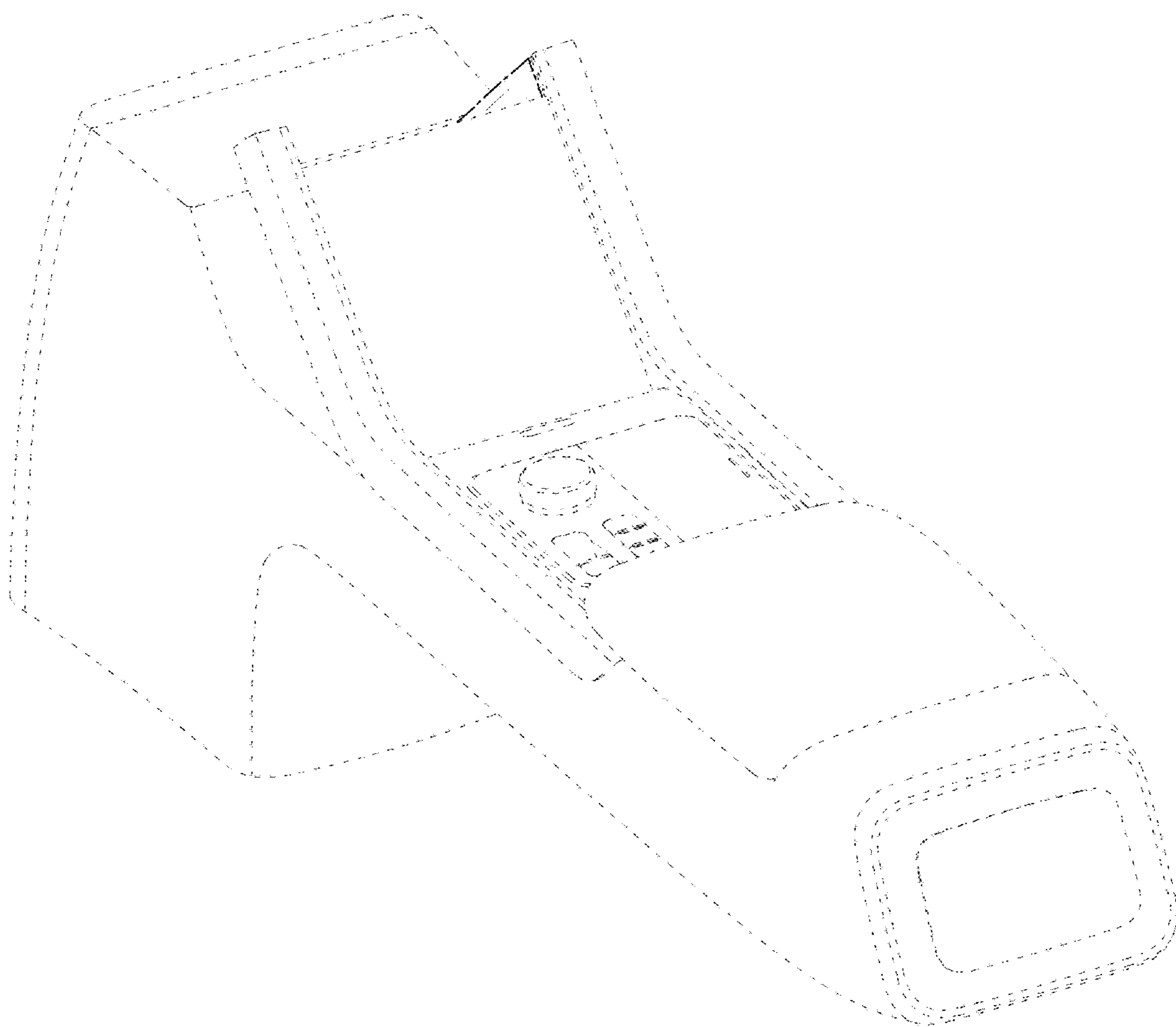


FIG. 12

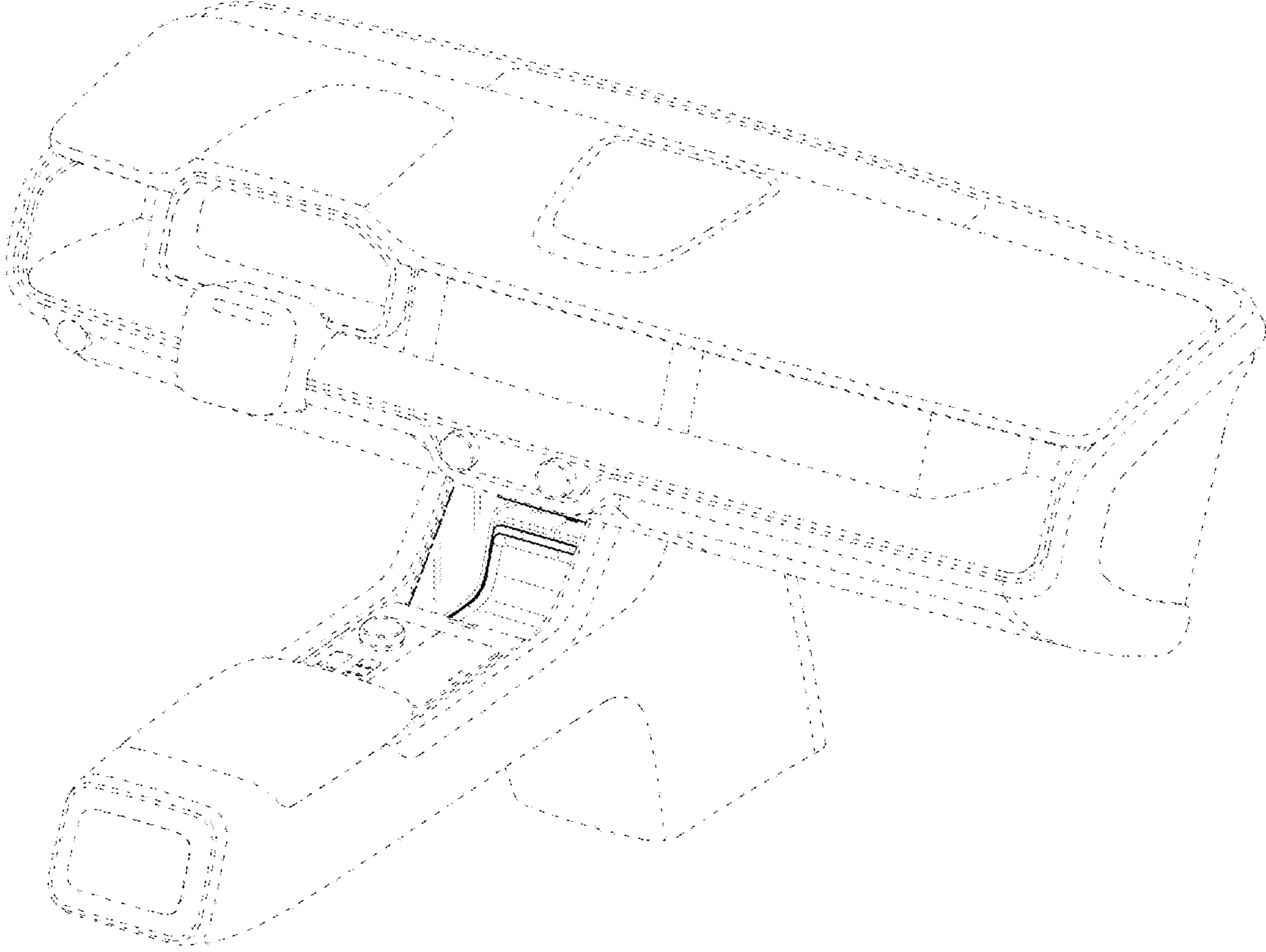


FIG. 13

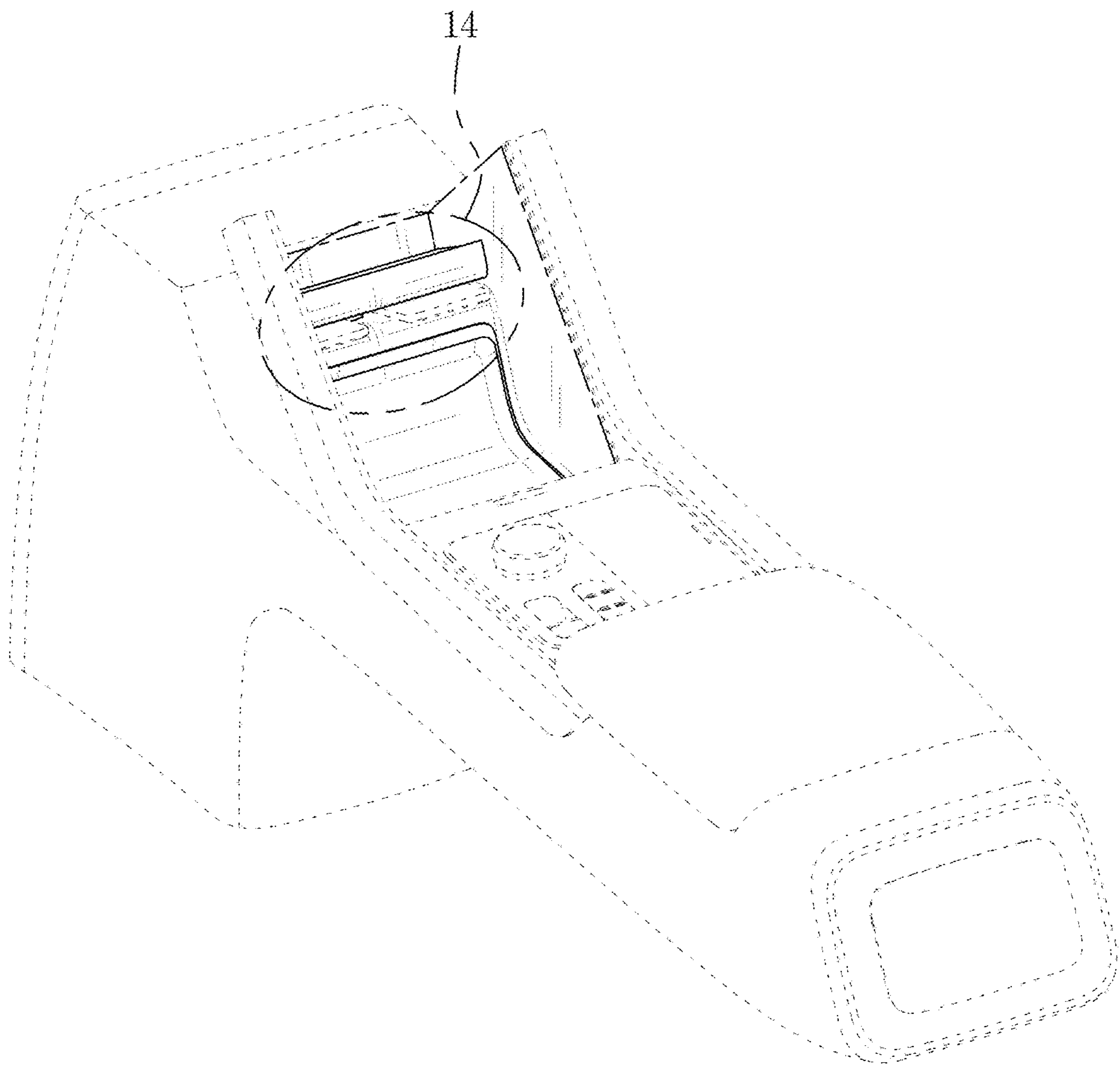


FIG. 14

