



US00D940615S

(12) **United States Design Patent**
Zhou

(10) **Patent No.:** **US D940,615 S**
(45) **Date of Patent:** **** Jan. 11, 2022**

(54) **STEERING WHEEL COVER**

(71) Applicant: **Dongying Zhou**, Puning (CN)

(72) Inventor: **Dongying Zhou**, Puning (CN)

(**) Term: **15 Years**

(21) Appl. No.: **29/709,086**

(22) Filed: **Oct. 11, 2019**

(51) **LOC (13) Cl.** **12-16**

(52) **U.S. Cl.**
USPC **D12/177**

(58) **Field of Classification Search**
USPC D12/174, 175, 176, 177, 400
CPC .. B62D 1/06; B62D 1/04; B62D 1/065; B60R
21/05; B60R 21/203

See application file for complete search history.

(56) **References Cited**

U.S. PATENT DOCUMENTS

D701,153 S *	3/2014	Shen	D12/177
D704,109 S *	5/2014	Shen	D12/177
D704,110 S *	5/2014	Shen	D12/177
D710,272 S *	8/2014	Shen	D12/177
D809,441 S *	2/2018	Simmons	D12/177
D861,558 S *	10/2019	Huang	D12/177
D910,512 S *	2/2021	Shen	D12/177
D910,513 S *	2/2021	Shen	D12/177
2015/0217794 A1 *	8/2015	Kong	B29C 44/08 74/558
2016/0332656 A1 *	11/2016	Park	B60L 1/02
2016/0347346 A1 *	12/2016	Simmons	B62D 1/06

OTHER PUBLICATIONS

Leather Steering Wheel Cover, Published date unavailable [online], [retrieved on Jul. 16, 2001]. Retrieved from the Internet: <https://www.aliexpress.com/item/32888424167.html> (Year: 2021).*

* cited by examiner

Primary Examiner — Cary M Robinson

Assistant Examiner — Adam C Mager

(74) *Attorney, Agent, or Firm* — Runit Ranjit Kanakia

(57) **CLAIM**

I claim the ornamental design for a steering wheel cover, as shown and described.

DESCRIPTION

FIG. 1 is a Perspective view of a steering wheel cover showing my new design;

FIG. 2 is a Front view thereof;

FIG. 3 is a Back view thereof;

FIG. 4 is a Left-side view thereof;

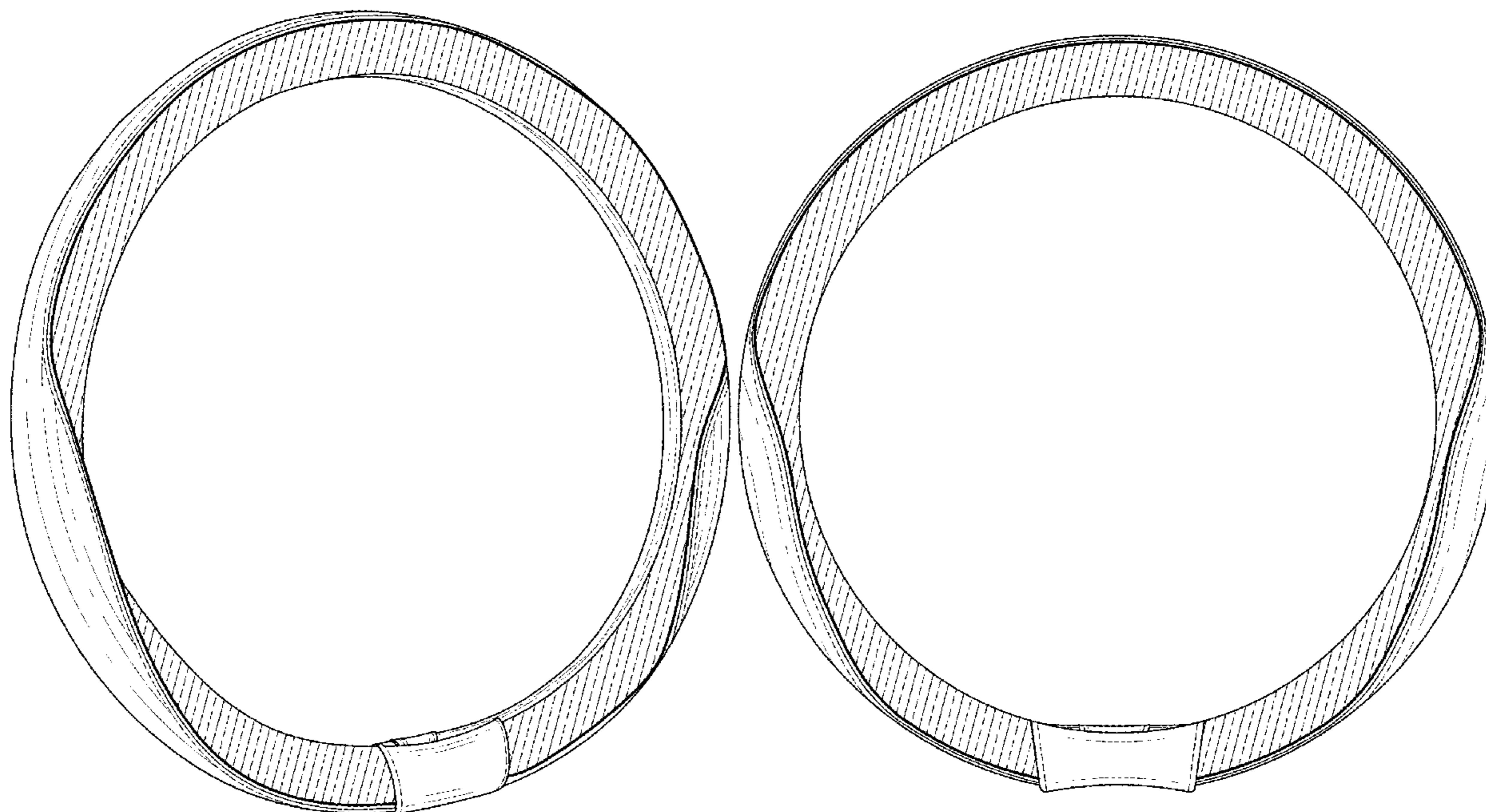
FIG. 5 is a Right-side view thereof;

FIG. 6 is a Top view thereof; and,

FIG. 7 is a Bottom view thereof.

The broken line shown on the steering wheel cover illustrate stitching and form no part of the claimed design.

1 Claim, 6 Drawing Sheets



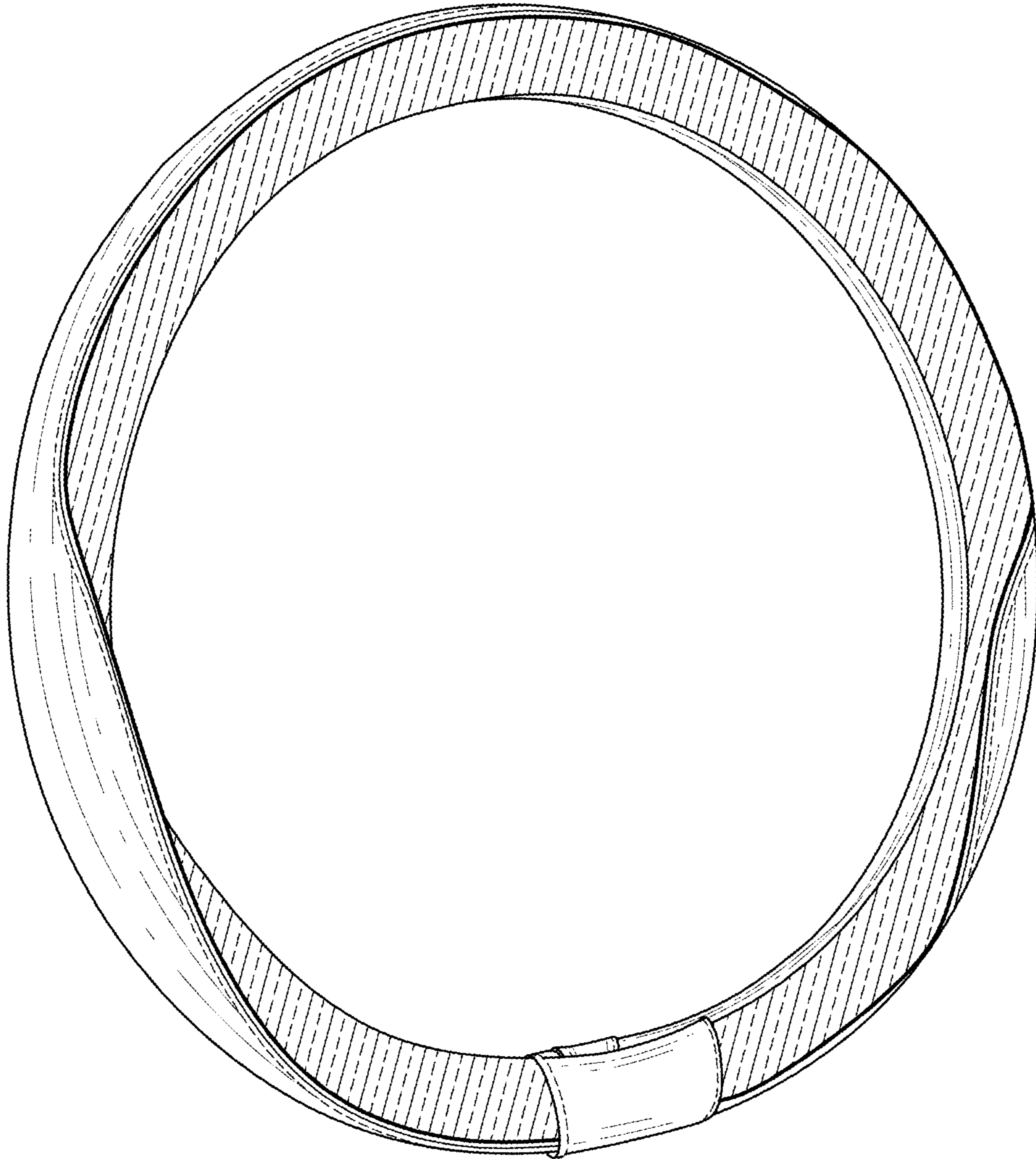


FIG. 1

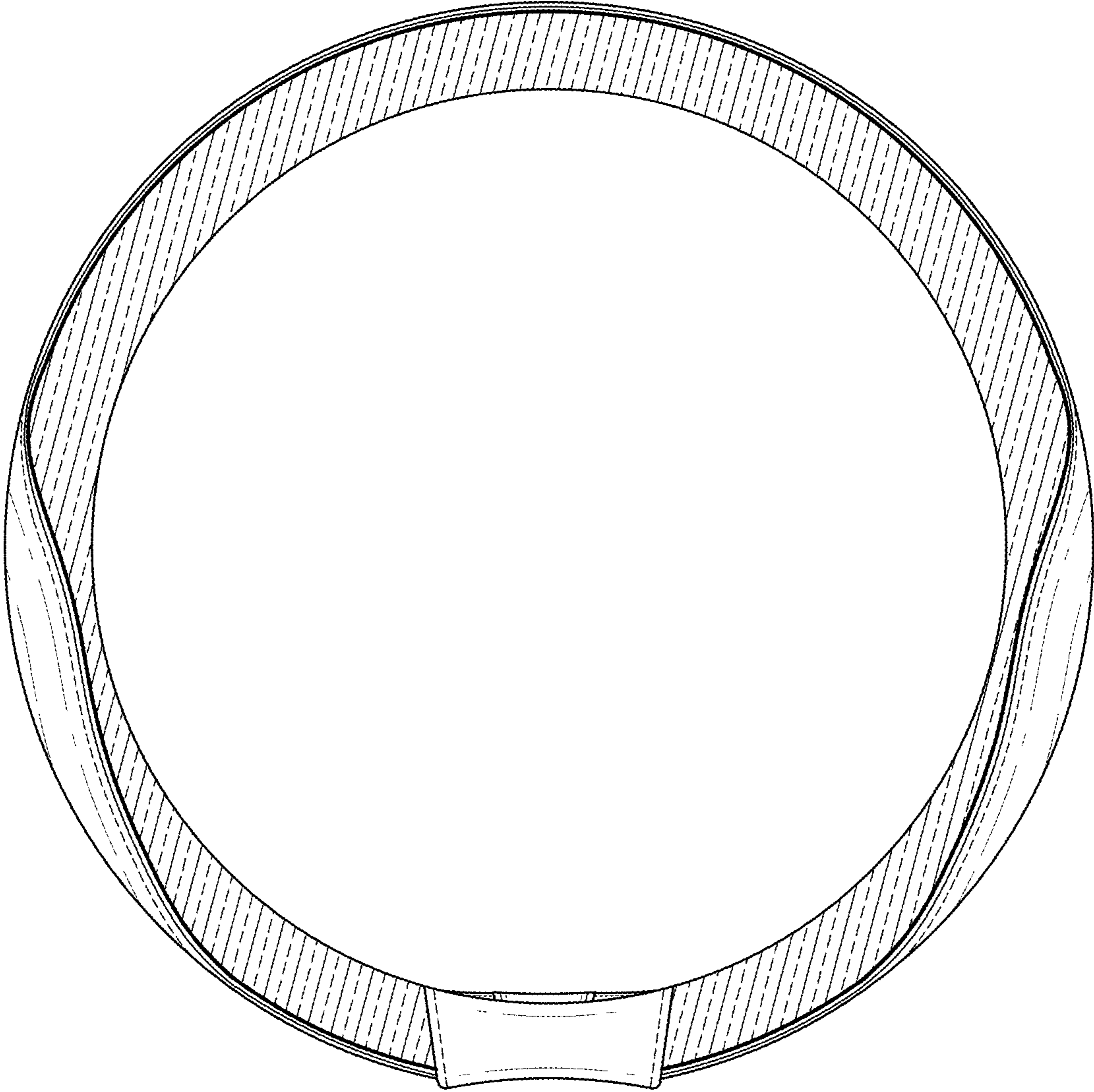


FIG. 2

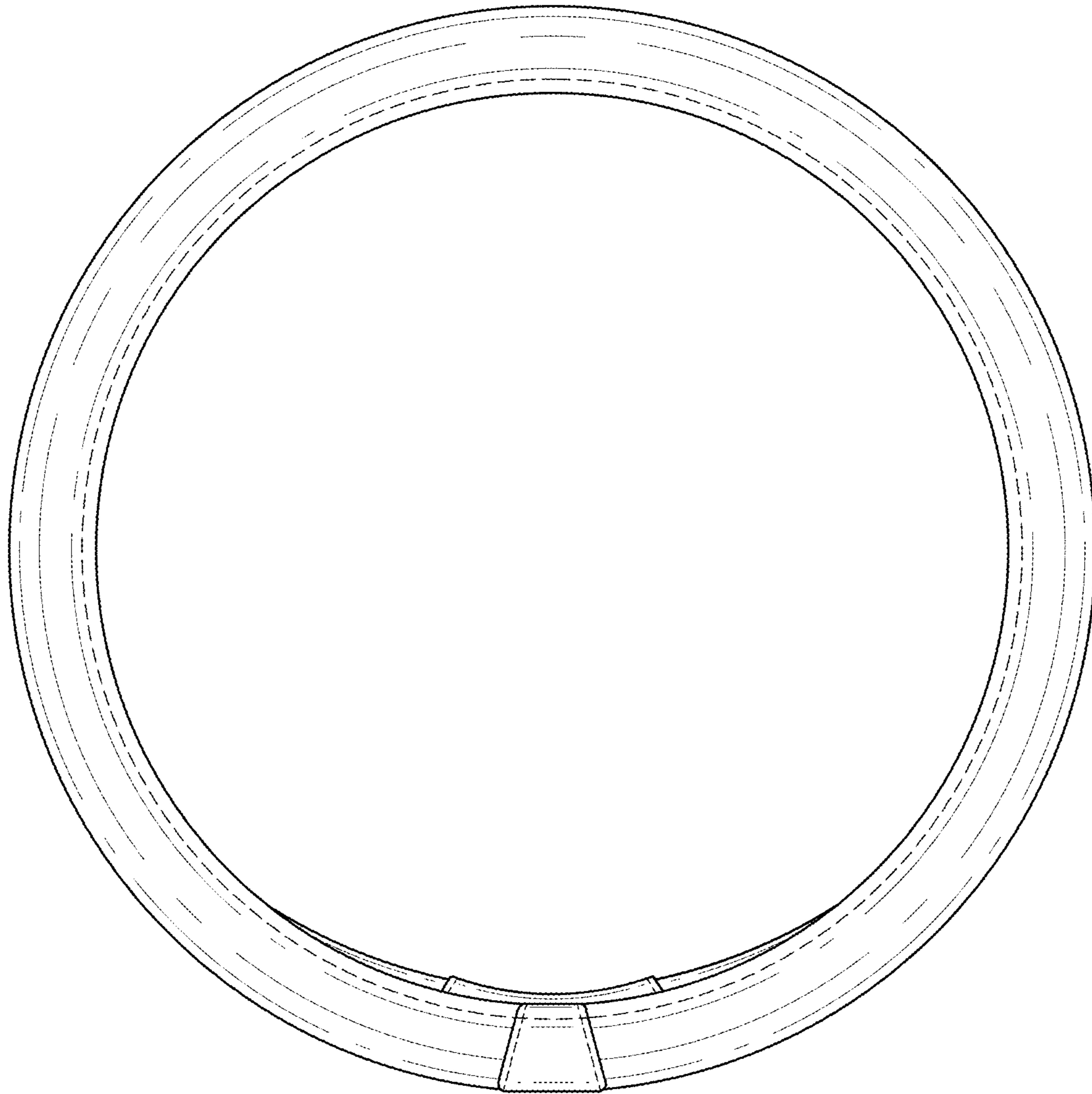


FIG. 3

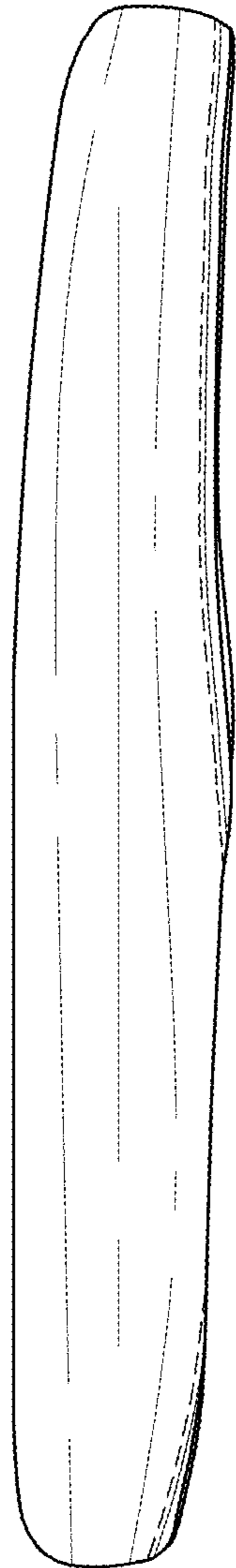


FIG. 4

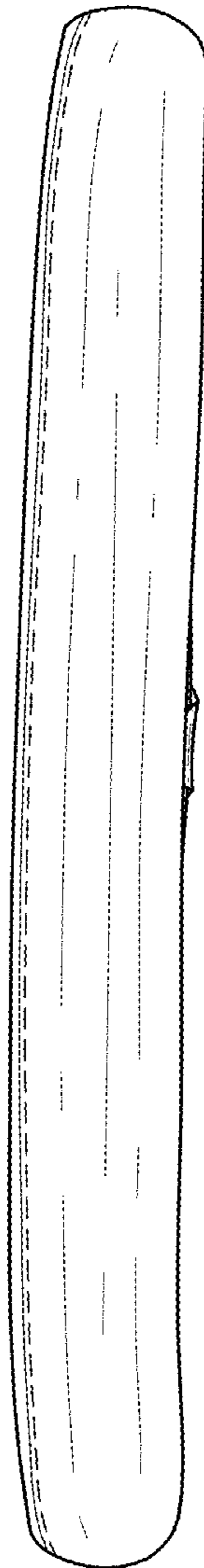


FIG. 5

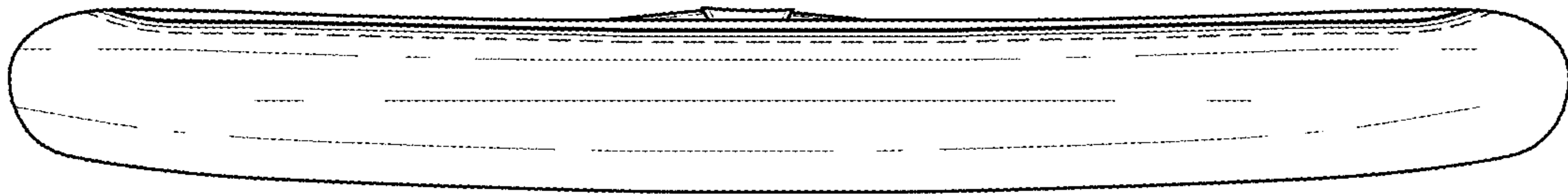


FIG. 6



FIG. 7