



US00D940614S

(12) **United States Design Patent** (10) **Patent No.:** **US D940,614 S**  
**Kang et al.** (45) **Date of Patent:** **\*\* Jan. 11, 2022**

(54) **AUTOMOBILE**

(71) Applicant: **LG Electronics Inc.**, Seoul (KR)  
(72) Inventors: **Seungmo Kang**, Seoul (KR); **Romain Diboine**, Seoul (KR); **Juneho Song**, Seoul (KR); **Sewon Chun**, Seoul (KR)

(73) Assignee: **LG ELECTRONICS INC.**, Seoul (KR)

(\*\*) Term: **15 Years**

(21) Appl. No.: **35/509,535**

(22) Filed: **Oct. 16, 2019**

(80) **Hague Agreement Data**

Int. Filing Date: **Oct. 16, 2019**  
Int. Reg. No.: **DM/208426**  
Int. Reg. Date: **Oct. 16, 2019**  
Int. Reg. Pub. Date: **Jun. 5, 2020**

(30) **Foreign Application Priority Data**

Apr. 16, 2019 (KR) ..... 30-2019-0017872

(51) **LOC (13) Cl.** ..... **12-16**

(52) **U.S. Cl.**  
USPC ..... **D12/176**

(58) **Field of Classification Search**  
USPC ..... D12/175, 176; D14/414; D21/333  
CPC ..... B60R 21/203; B60R 21/05; B62D 1/04  
See application file for complete search history.

(56) **References Cited**

**U.S. PATENT DOCUMENTS**

3,937,101 A \* 2/1976 Wade ..... B60N 3/005  
74/552  
D342,474 S \* 12/1993 Oki ..... D12/176  
D346,997 S \* 5/1994 Kurtis ..... D12/176  
D420,708 S \* 2/2000 Holmes ..... D21/329  
D435,603 S \* 12/2000 Holmes ..... D21/329

(Continued)

**OTHER PUBLICATIONS**

“Qt takes the driver’s seat in Peugeot’s new concept.” Good News Finland., Dec. 10, 2018 [online], [retrieved on Sep. 3, 2021], Retrieved from the Internet <URL: <https://www.goodnewsfinland.com/qt-takes-the-driver-s-seat-in-peugeot-s-new-concept/>>.\*

(Continued)

*Primary Examiner* — Darlington Ly

(74) *Attorney, Agent, or Firm* — Birch, Stewart, Kolasch & Birch, LLP

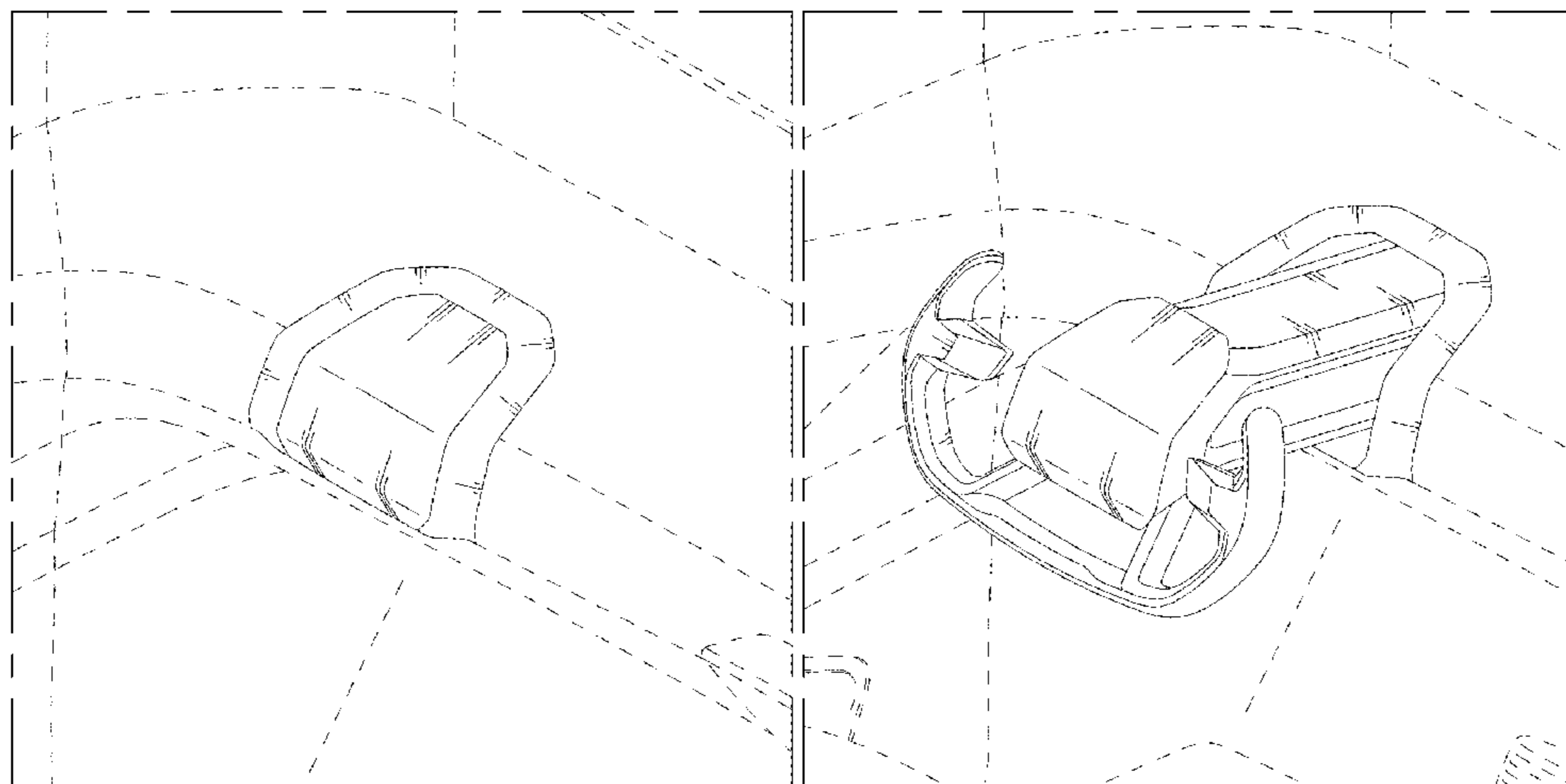
(57) **CLAIM**

The ornamental design for an automobile, as shown and described.

**DESCRIPTION**

1. Automobile  
1.1 is a rear perspective view of an automobile in which its folding and retracting steering wheel has been folded inside the dashboard;  
1.2 is a front elevation view thereof;  
1.3 is a rear elevation view thereof;  
1.4 is a left side elevation view thereof, to which the right side elevation view is a mirror image thereof;  
1.5 is a top plan view thereof;  
1.6 is an enlarged and partial rear perspective view thereof;  
1.7 is a an enlarged and partial top plan view thereof;  
1.8 is a rear perspective view thereof with the steering wheel extended and its handle folded out;  
1.9 is a top plan view thereof with the steering wheel extended and its handle folded out;  
1.10 is an enlarged and partial rear perspective view thereof with the steering wheel extended and its handle folded out; and  
1.11 is an enlarged top plan view thereof with the steering wheel extended and its handle folded out.  
The broken lines in the reproductions illustrate portions of the automobile that form no part of the claimed design.

**1 Claim, 11 Drawing Sheets**



(56)

**References Cited**

U.S. PATENT DOCUMENTS

D743,859 S \* 11/2015 Gong ..... D12/176  
 9,193,375 B2 \* 11/2015 Schramm ..... B60K 37/06  
 9,421,993 B2 \* 8/2016 Spaggiari ..... B60Q 1/0082  
 D769,781 S \* 10/2016 Allison ..... D12/175  
 9,511,790 B2 \* 12/2016 Spaggiari ..... B60Q 1/0082  
 D787,994 S \* 5/2017 Carbone ..... D12/175  
 9,821,726 B2 \* 11/2017 Nash ..... G06F 3/0426  
 D816,567 S \* 5/2018 Yoo ..... D12/176  
 D824,302 S \* 7/2018 Cadalora ..... D12/177  
 D825,418 S \* 8/2018 Cadalora ..... D12/177  
 D826,117 S \* 8/2018 Cadalora ..... D12/177  
 D853,290 S \* 7/2019 Helmstetter ..... D12/175  
 D870,004 S \* 12/2019 Hill ..... D12/175  
 D890,756 S \* 7/2020 Wall ..... D14/393  
 D899,328 S \* 10/2020 Roo-Clefas ..... D12/176  
 2009/0108617 A1 \* 4/2009 Songwe, Jr. .... B60R 11/0264  
 2013/0298716 A1 \* 11/2013 Salvini ..... B62D 1/105  
 74/492

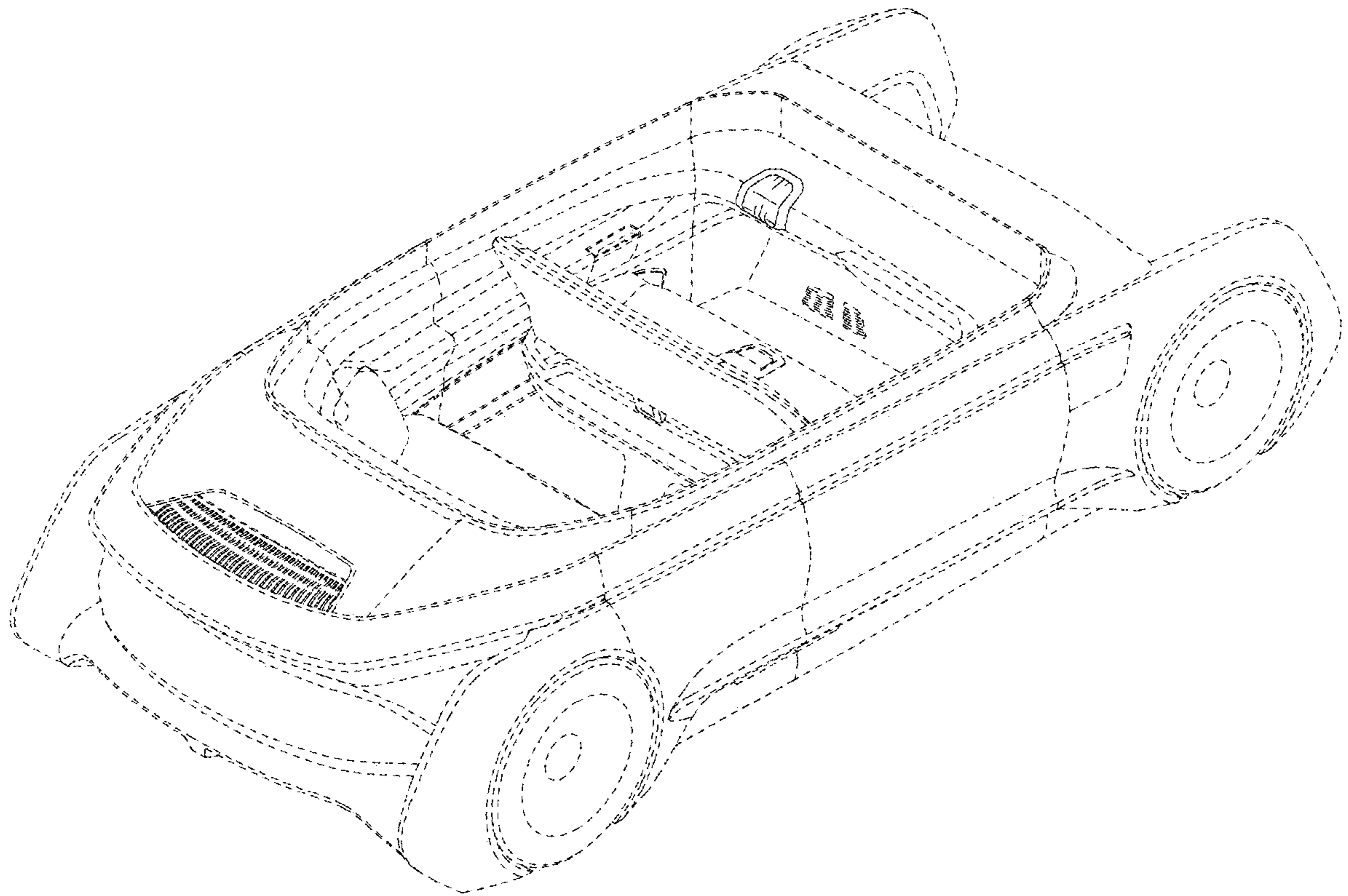
2015/0123947 A1 \* 5/2015 Jubner ..... B60K 37/06  
 345/175  
 2016/0001807 A1 \* 1/2016 Hans ..... B60R 11/0229  
 345/173  
 2016/0375924 A1 \* 12/2016 Bodtker ..... B60K 35/00  
 74/552  
 2017/0253192 A1 \* 9/2017 Faist ..... G06F 3/0227

OTHER PUBLICATIONS

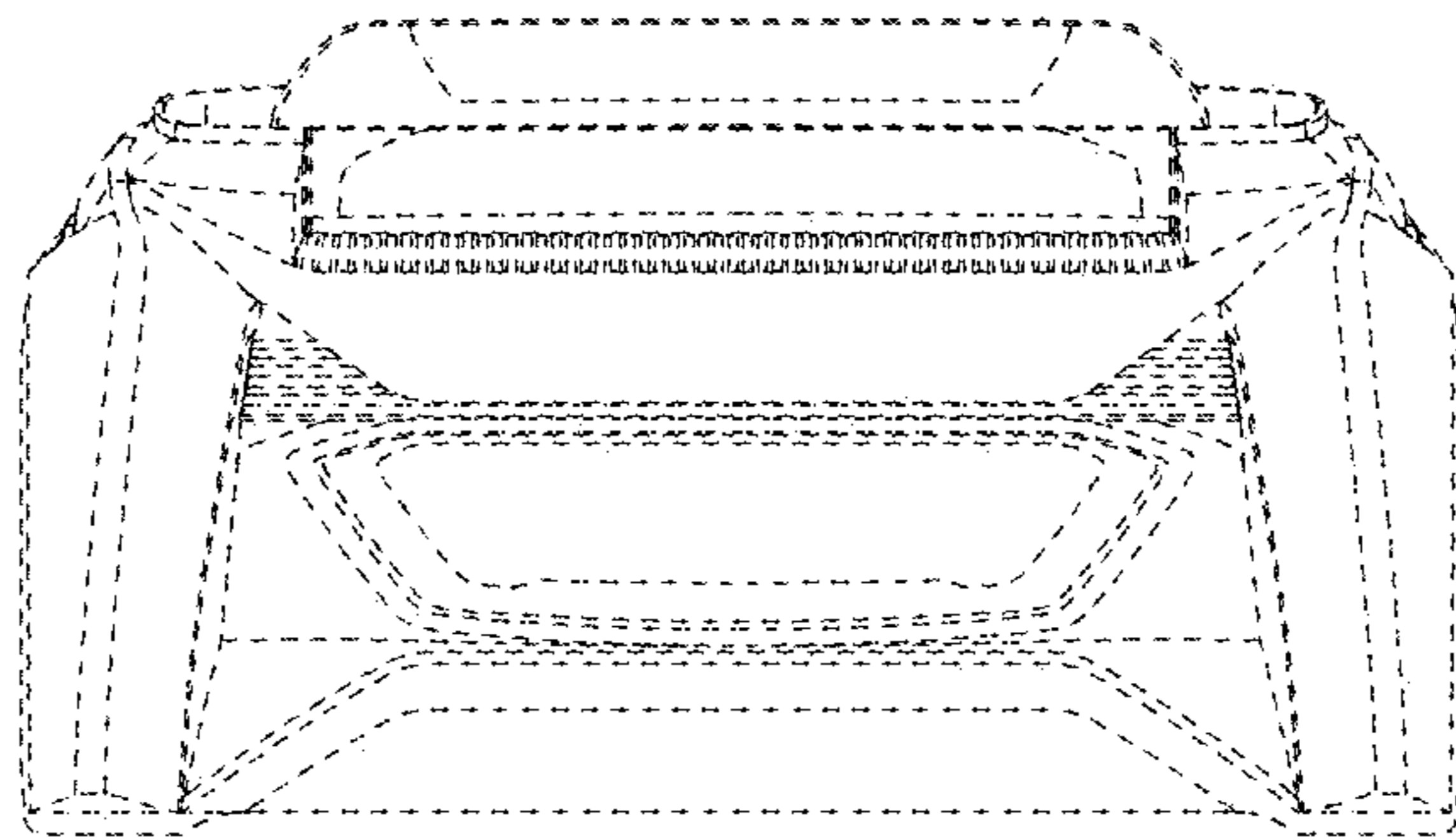
“The PEUGEOT steering wheel: from the simple handlebar to the multifunctional steering whee.” Peugeot., May 19, 2020 [online], [retrieved on Sep. 3, 2021], Retrieved from the Internet <URL: <https://int-media.peugeot.com/en/peugeot-steering-wheel-simple-handlebar-multifunctional-steering-wheel>>.\*  
 “Tokyo Motor Show Press Day.” Getty Images., Oct. 25, 2017 [online], [retrieved on Sep. 3, 2021], Retrieved from the Internet <URL: <https://www.gettyimages.com/detail/news-photo/retractable-steering-wheel-is-seen-in-a-retracted-position-news-photo/86>>.\*

\* cited by examiner

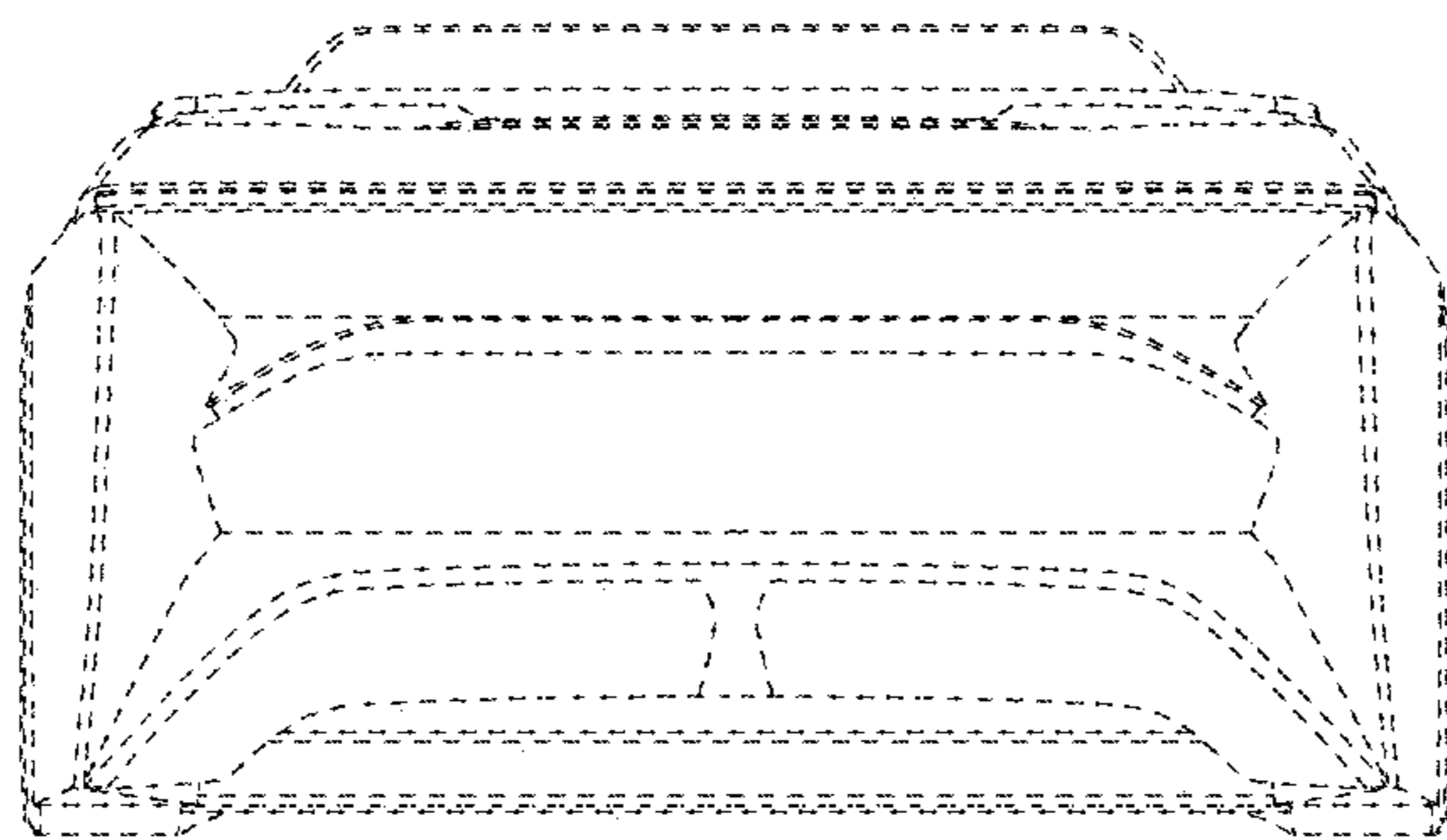
1. 1



1. 2

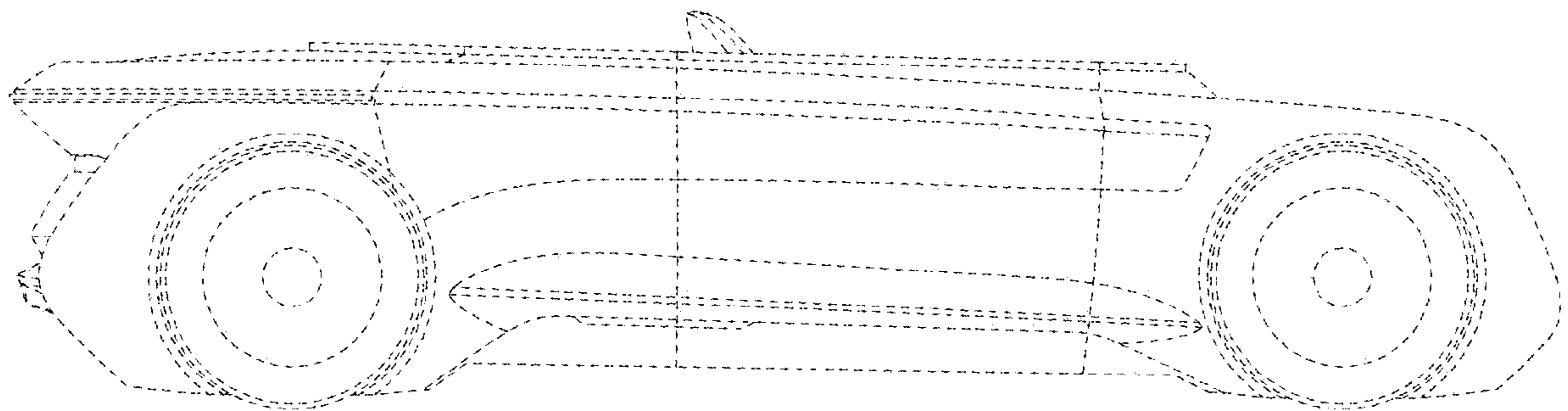


1. 3

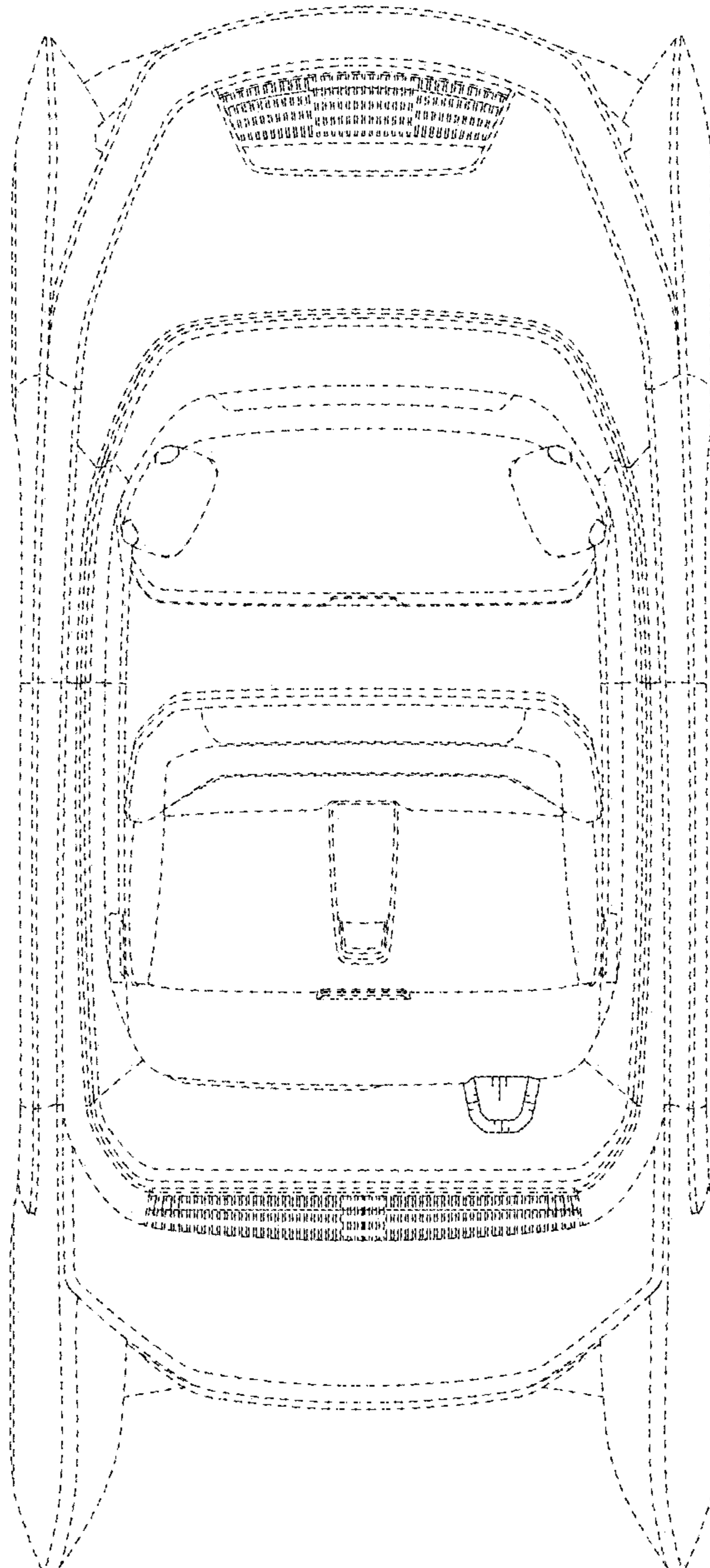




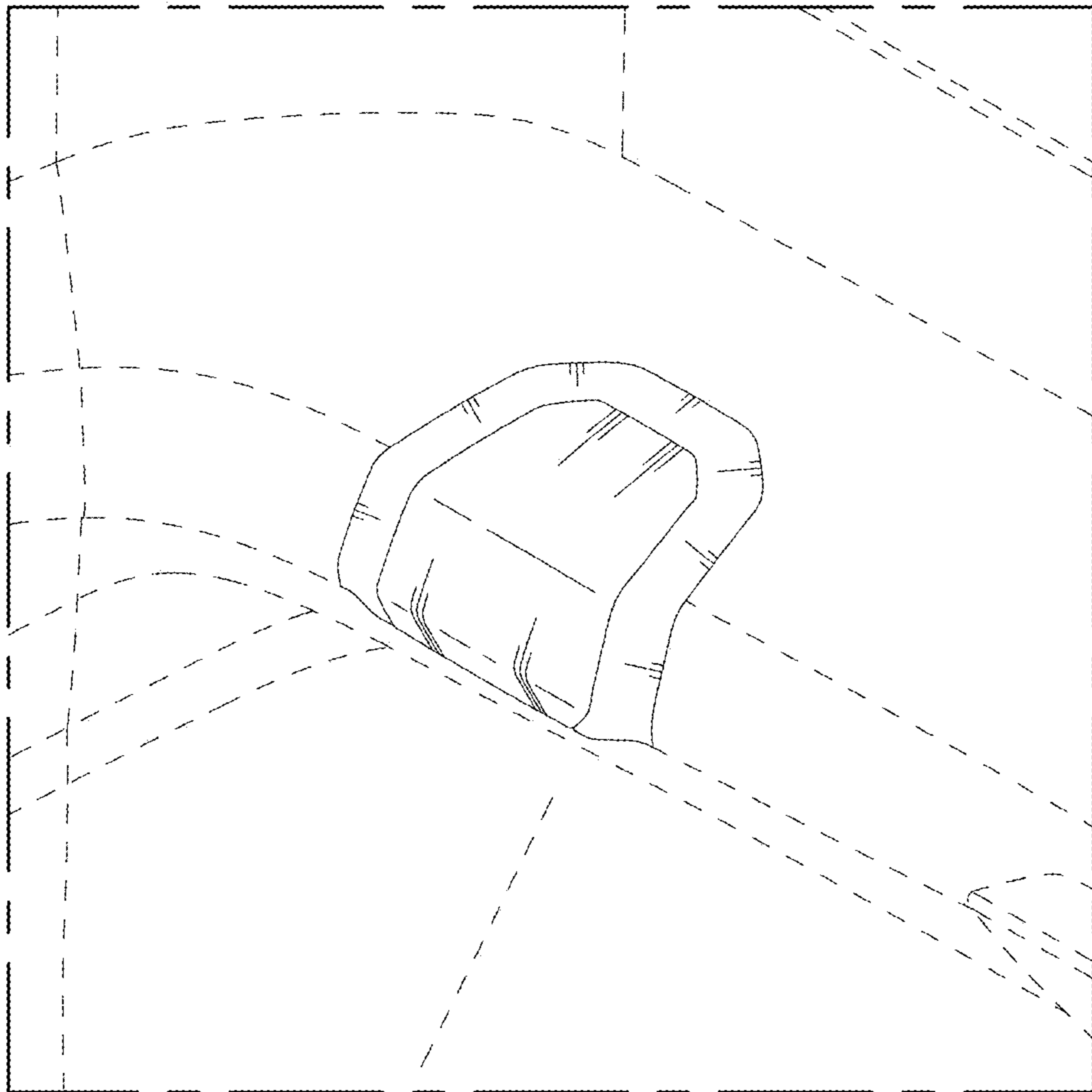
1. 4



1. 5

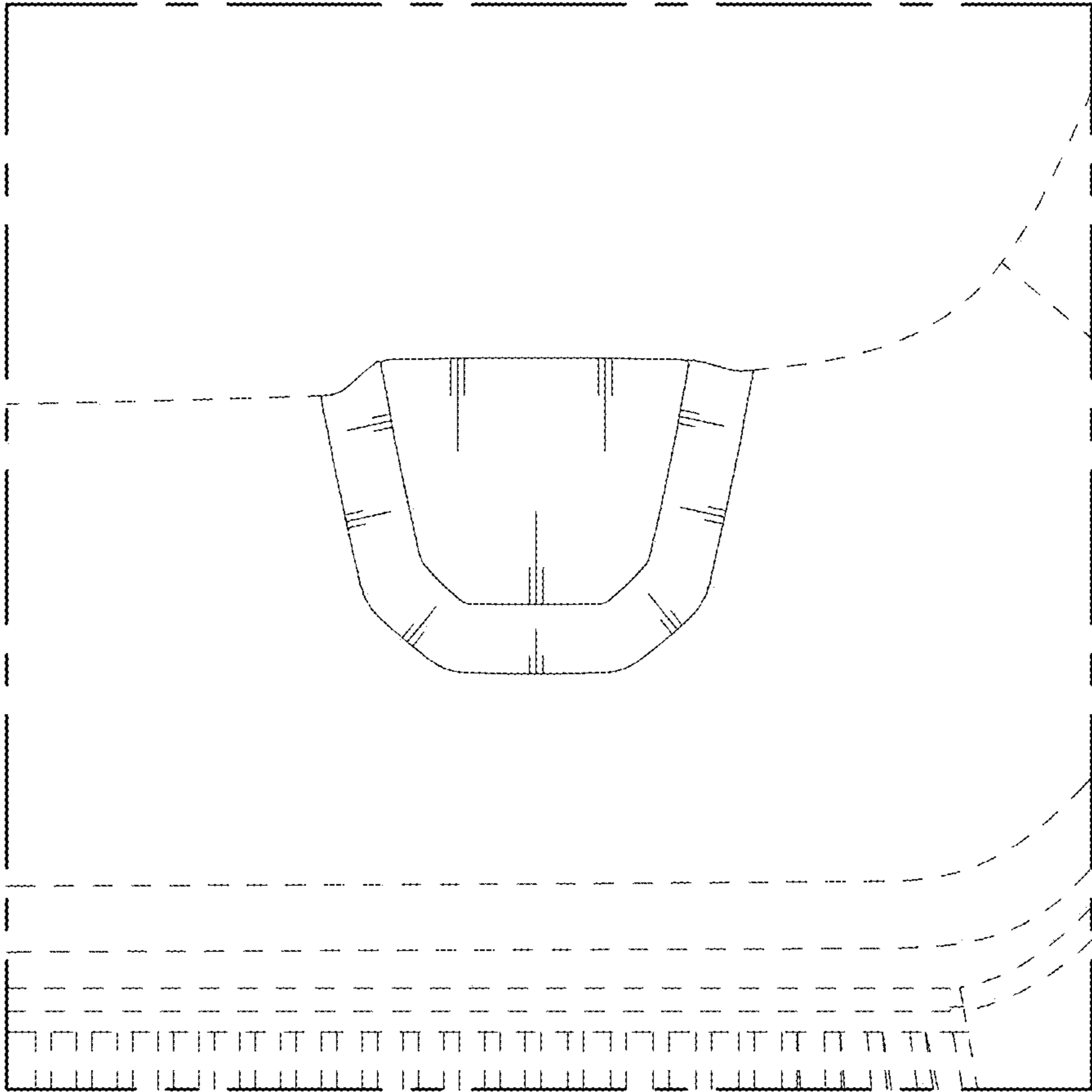


1. 6

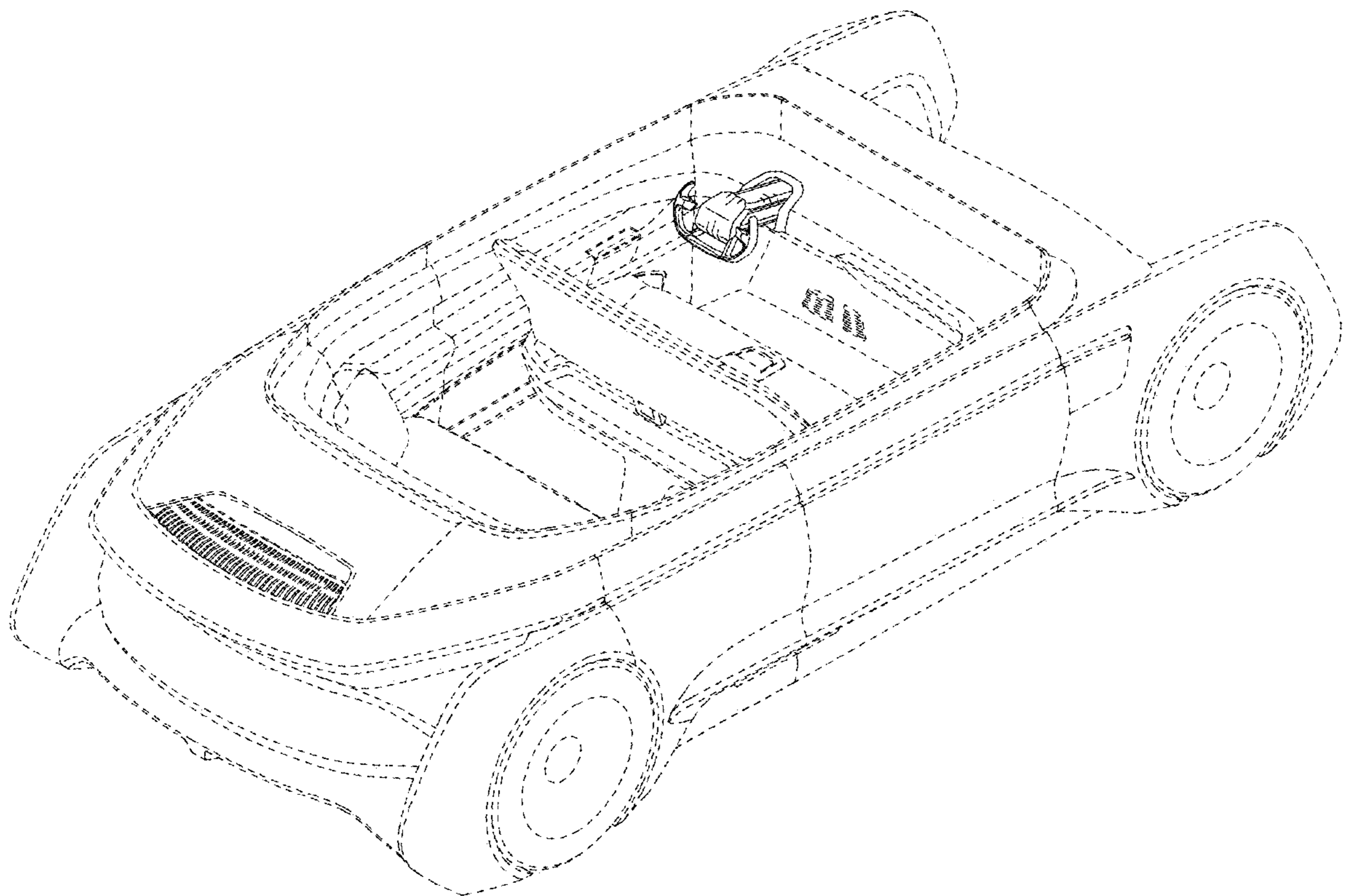




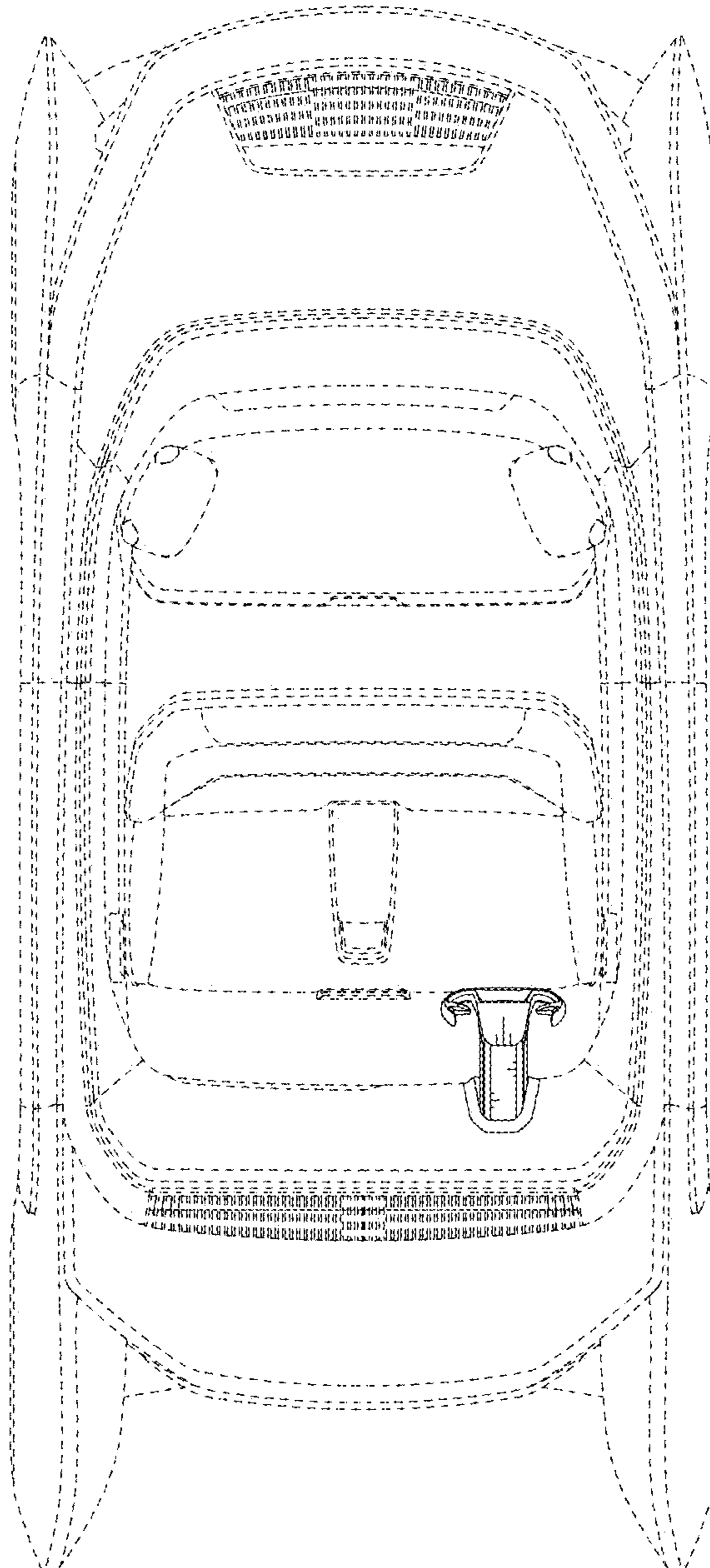
1. 7



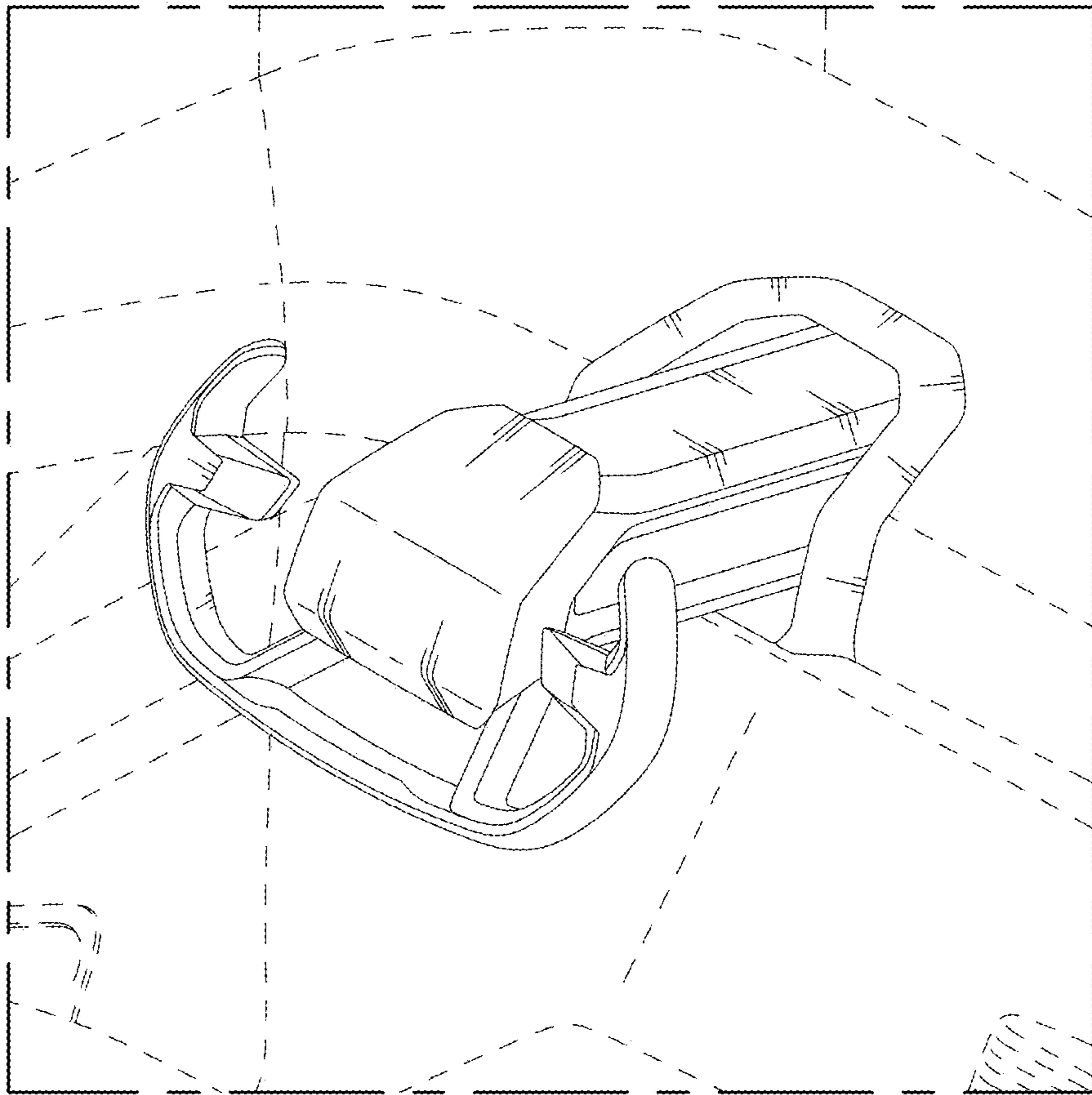
1. 8



1. 9



1. 10



1. 11

