



US00D940609S

(12) **United States Design Patent**  
**Trim et al.**

(10) **Patent No.:** **US D940,609 S**  
(45) **Date of Patent:** **\*\* Jan. 11, 2022**

- (54) **FRONT END OF A VEHICLE**
- (71) Applicant: **Jaguar Land Rover Limited**, Coventry (GB)
- (72) Inventors: **James Trim**, Coventry (GB); **Cesar Pieri**, Coventry (GB)
- (73) Assignee: **Jaguar Land Rover Limited**, Whitley Coventry (GB)
- (\*\*) Term: **15 Years**
- (21) Appl. No.: **29/728,204**
- (22) Filed: **Mar. 17, 2020**

D744,903 S *	12/2015	Jelec	.....	D12/92
D773,959 S *	12/2016	Jelec	.....	D12/92
D779,379 S *	2/2017	Jelec	.....	D12/92
D804,998 S *	12/2017	Jelec	.....	D12/92
D804,999 S *	12/2017	Jelec	.....	D12/92
D805,961 S *	12/2017	Jelec	.....	D12/92
D805,962 S *	12/2017	Jelec	.....	D12/92
D807,246 S *	1/2018	Peat	.....	D12/164
D811,941 S *	3/2018	Buck	.....	D12/92
D811,955 S *	3/2018	Patel	.....	D12/164
D820,741 S *	6/2018	Patel	.....	D12/169
D839,135 S *	1/2019	Trim	.....	D12/92
D839,136 S *	1/2019	Buck	.....	D12/92
D839,143 S *	1/2019	Trim	.....	D12/164
D875,610 S *	2/2020	Trim	.....	D12/92

(Continued)

*Primary Examiner* — Melody N Brown  
(74) *Attorney, Agent, or Firm* — Wood Herron & Evans LLP

**Related U.S. Application Data**

- (62) Division of application No. 29/673,171, filed on Dec. 12, 2018, now Pat. No. Des. 881,080, which is a division of application No. 29/605,380, filed on May 25, 2017, now Pat. No. Des. 839,143.
- (51) **LOC (13) Cl.** ..... **12-16**
- (52) **U.S. Cl.**  
USPC ..... **D12/164**
- (58) **Field of Classification Search**  
USPC .... D12/86, 90–92, 164; D21/424, 433, 434, D21/533; 296/181.1–181.5  
CPC ..... B62D 25/00; B62D 25/06; B62D 33/00; B62D 35/00  
See application file for complete search history.

(56) **References Cited**

**U.S. PATENT DOCUMENTS**

D704,101 S *	5/2014	Beaven	.....	D12/92
D711,793 S *	8/2014	Nagasaka	.....	D12/169
D711,794 S *	8/2014	Okamura	.....	D12/169
D726,074 S *	4/2015	Beaven	.....	D12/92
D740,177 S *	10/2015	Callum	.....	D12/92
D744,902 S *	12/2015	Callum	.....	D12/92

(57) **CLAIM**

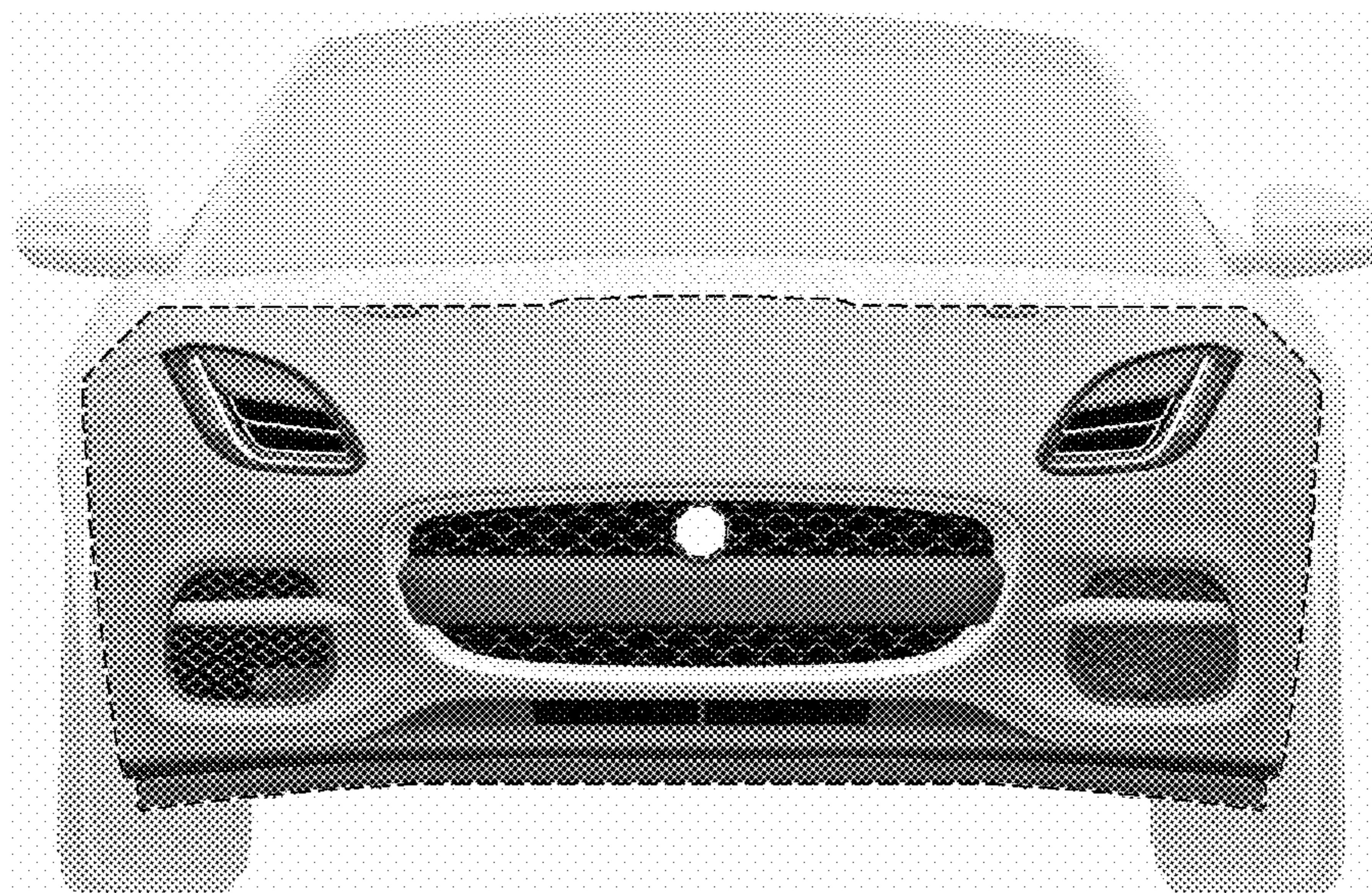
The ornamental design for a front end of a vehicle, as shown and described.

**DESCRIPTION**

FIG. 1 is a right, front perspective view of a front end of a vehicle showing our new design;  
 FIG. 2 is a left, front perspective view thereof;  
 FIG. 3 is a left, rear perspective view thereof;  
 FIG. 4 is a right, rear perspective view thereof;  
 FIG. 5 is a front elevational view thereof;  
 FIG. 6 is a left side elevational view thereof;  
 FIG. 7 is a right side elevational view thereof; and,  
 FIG. 8 is a top plan view thereof.

The portions of the vehicle shown throughout the drawing views in de-emphasized and half-tone form outside the broken lines and the broken lines representing the boundary and configuration of what is design are for environmental and illustrative purposes and form no part of the claimed design.

**1 Claim, 8 Drawing Sheets**



(56)

**References Cited**

U.S. PATENT DOCUMENTS

D875,611 S \* 2/2020 Trim ..... D12/92  
D881,080 S \* 4/2020 Trim ..... D12/164  
D902,782 S \* 11/2020 Trim ..... D12/92

\* cited by examiner

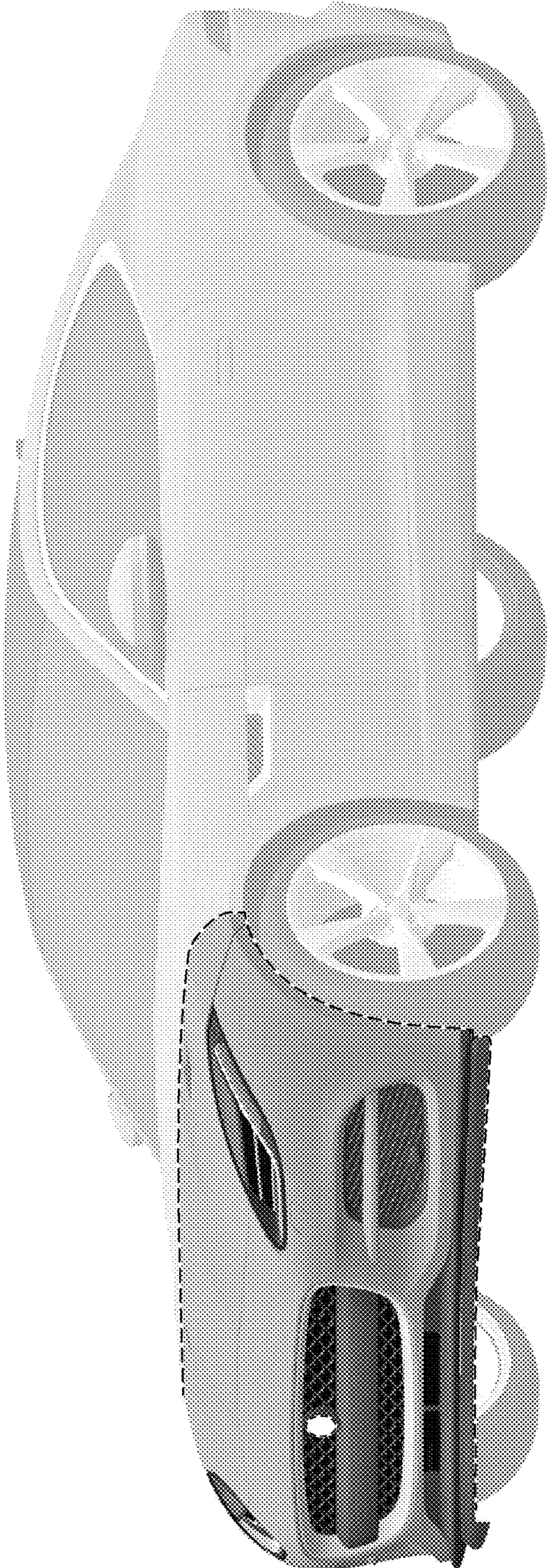


FIG. 1

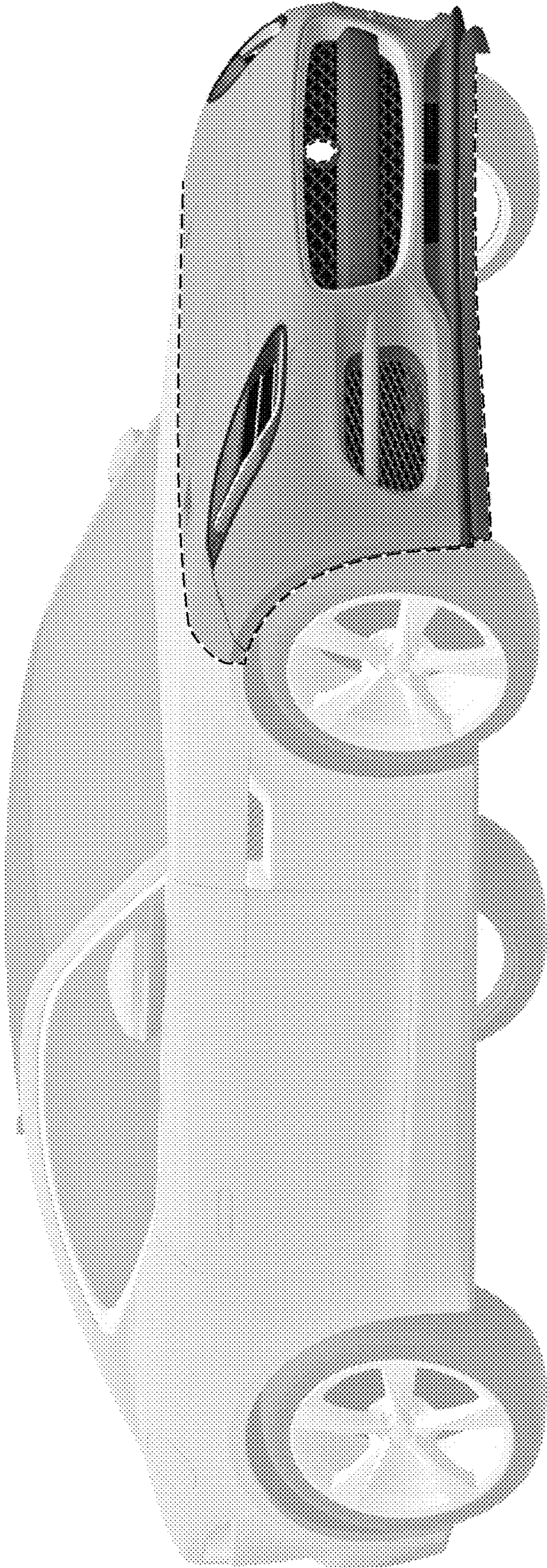


FIG. 2

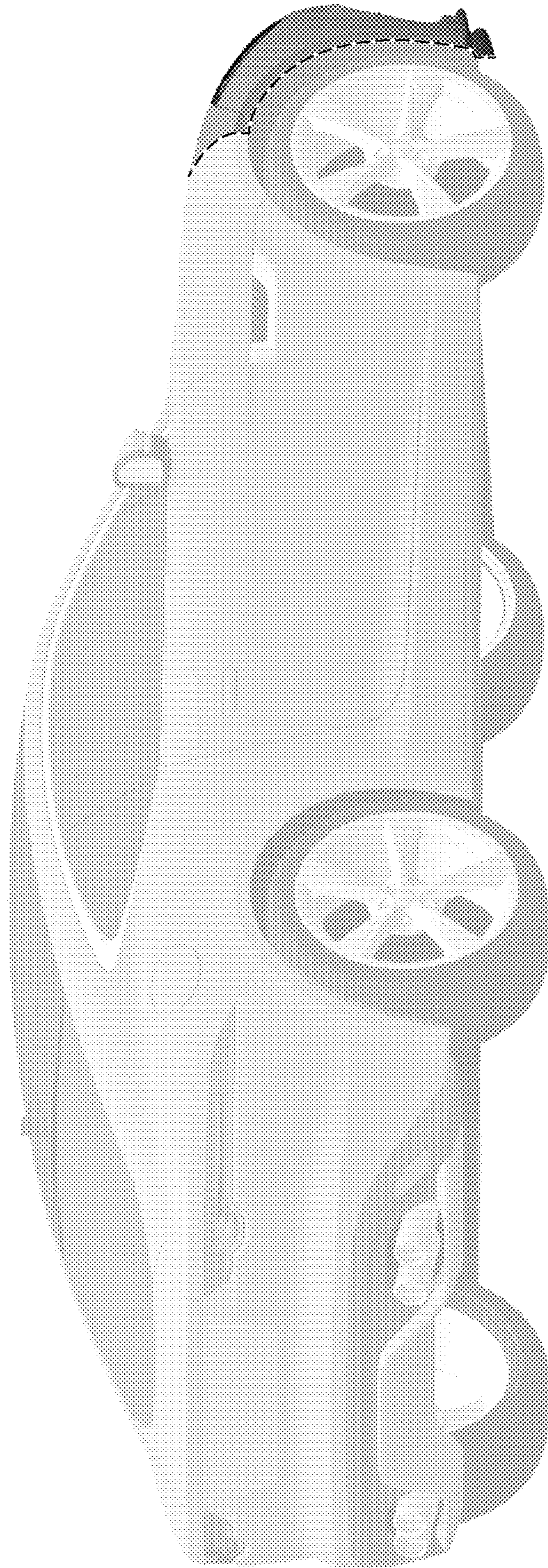


FIG. 3

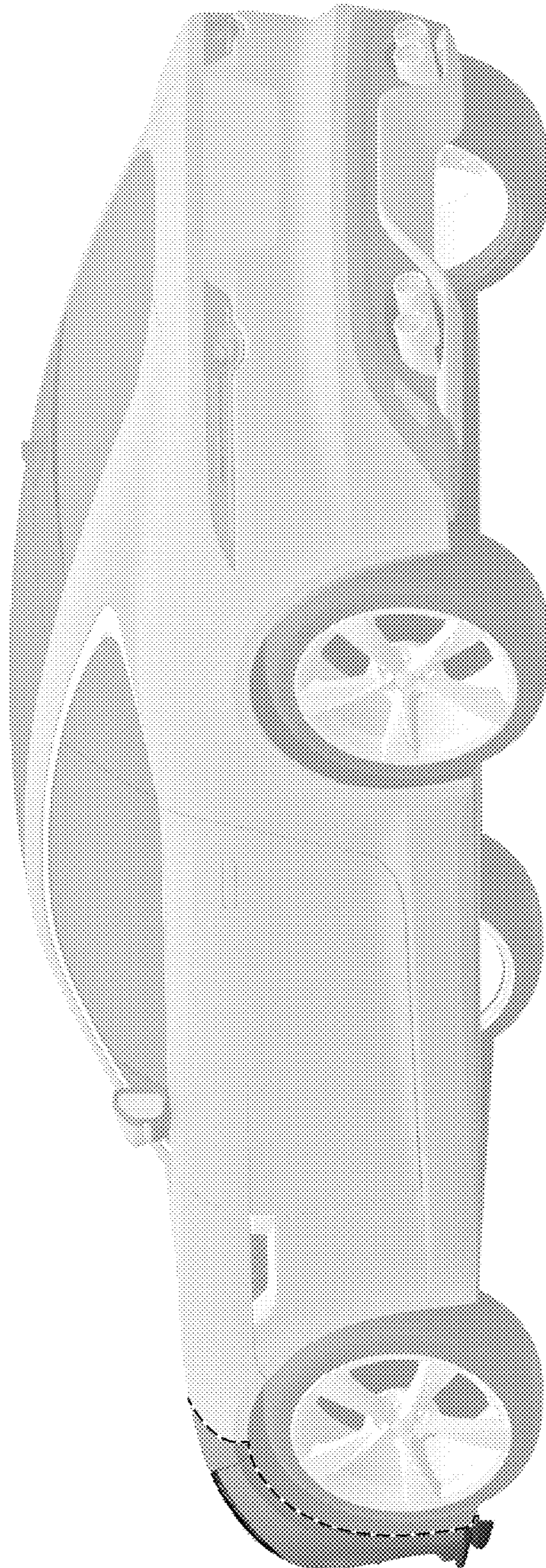


FIG. 4

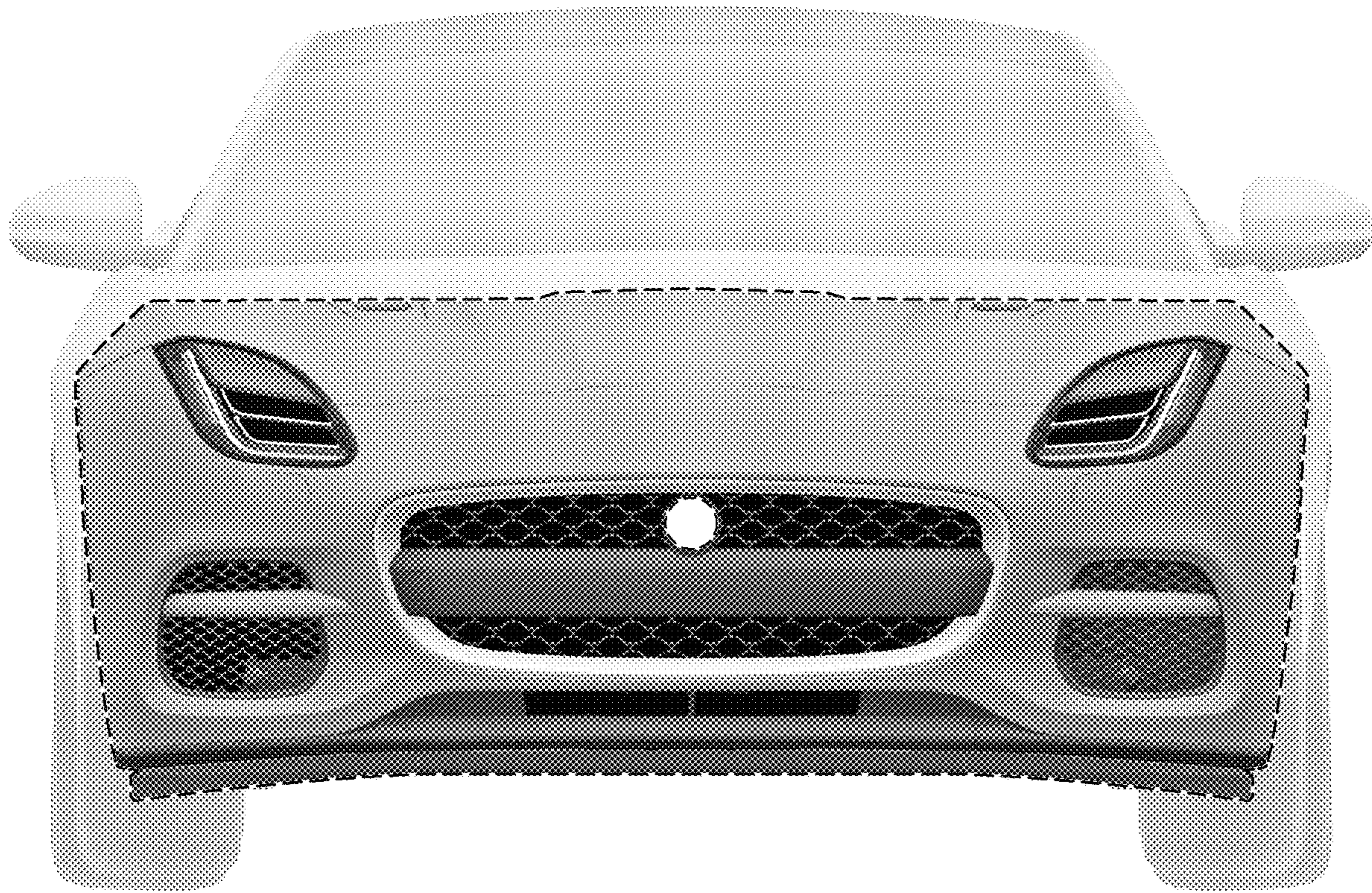


FIG. 5

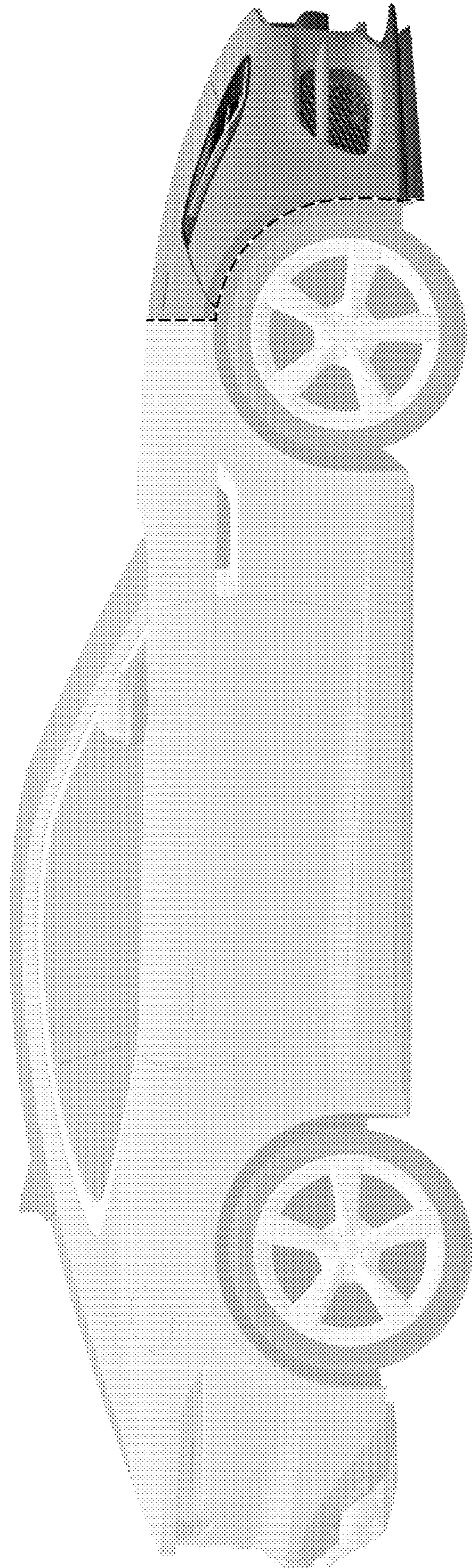


FIG. 6



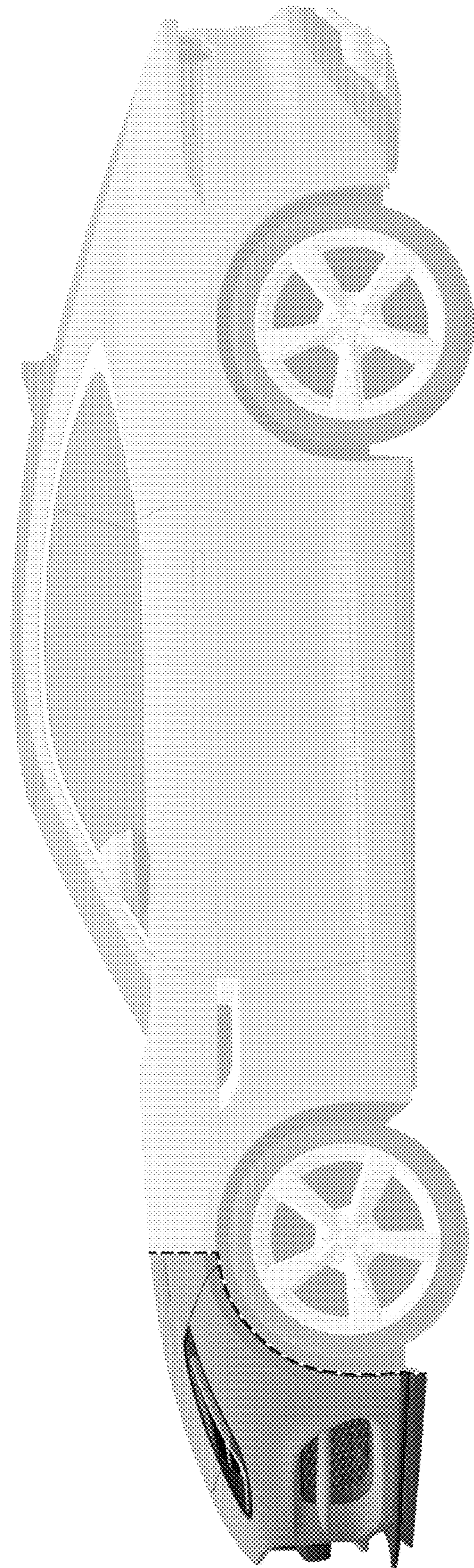


FIG. 7



FIG. 8

UNITED STATES PATENT AND TRADEMARK OFFICE  
**CERTIFICATE OF CORRECTION**

PATENT NO. : D940,609 S  
APPLICATION NO. : 29/728204  
DATED : January 11, 2022  
INVENTOR(S) : James Trim et al.

Page 1 of 1

It is certified that error appears in the above-identified patent and that said Letters Patent is hereby corrected as shown below:

On the Title Page

Insert item (30), "Foreign Application Priority Data":

--(30) Foreign Application Priority Data

November 30, 2016 (EM).....003493121.--

Signed and Sealed this  
Eighth Day of November, 2022  
*Katherine Kelly Vidal*

Katherine Kelly Vidal  
*Director of the United States Patent and Trademark Office*