



US00D940607S

(12) **United States Design Patent**
Park et al.

(10) **Patent No.:** **US D940,607 S**

(45) **Date of Patent:** **** Jan. 11, 2022**

(54) **VEHICLE FRONT UPPER GRILLE**

(71) Applicant: **Ford Global Technologies, LLC,**
Dearborn, MI (US)

(72) Inventors: **Dong H. Park,** Canton, MI (US); **Marc Cammeyer,** Berkley, MI (US); **Damon G. Depeyster,** Northville, MI (US); **Gordon M. Platto,** Troy, MI (US)

(73) Assignee: **Ford Global Technologies, LL,**
Dearborn, MI (US)

(**) Term: **15 Years**

(21) Appl. No.: **29/758,629**

(22) Filed: **Nov. 17, 2020**

Related U.S. Application Data

(62) Division of application No. 29/650,684, filed on Jun. 8, 2018, now Pat. No. Des. 902,092.

(51) **LOC (13) Cl.** **12-16**

(52) **U.S. Cl.**
USPC **D12/163**

(58) **Field of Classification Search**
USPC D12/163, 86, 90, 91, 92, 169, 171, 196, D12/216; 296/180.1, 180.2; 293/193.11, 293/102, 113, 115, 117, 120; 180/68.1, 180/68.6
CPC . B60R 19/52; B60R 2019/525; B62D 25/084; B62D 25/08; H01Q 1/32; B62B 9/16; B60K 11/08; B60K 11/085
See application file for complete search history.

(56) **References Cited**

U.S. PATENT DOCUMENTS

D598,335 S † 8/2009 George D12/163
D610,495 S † 2/2010 Bucher D12/16

D665,315 S † 8/2012 Matsuno D12/163
D691,929 S † 10/2013 Betancourt D12/16
D702,601 S † 4/2014 Wada D12/163
D742,288 S † 11/2015 Murase D12/163
D753,555 S † 4/2016 Behmer D12/16
D754,038 S † 4/2016 Behmer D12/16
D783,467 S * 4/2017 Svensson D12/163
D797,015 S † 9/2017 Nishii D12/163
D805,005 S † 12/2017 Tomita D12/163
D806,616 S † 1/2018 Granlund D12/163
D817,233 S † 5/2018 Bucher D12/163
D819,509 S † 6/2018 Tanaka D12/163
9,988,006 B2 † 6/2018 Aizawa B60R 19/18

(Continued)

Primary Examiner — Manpreet S Matharu
Assistant Examiner — Yolanda Robinson

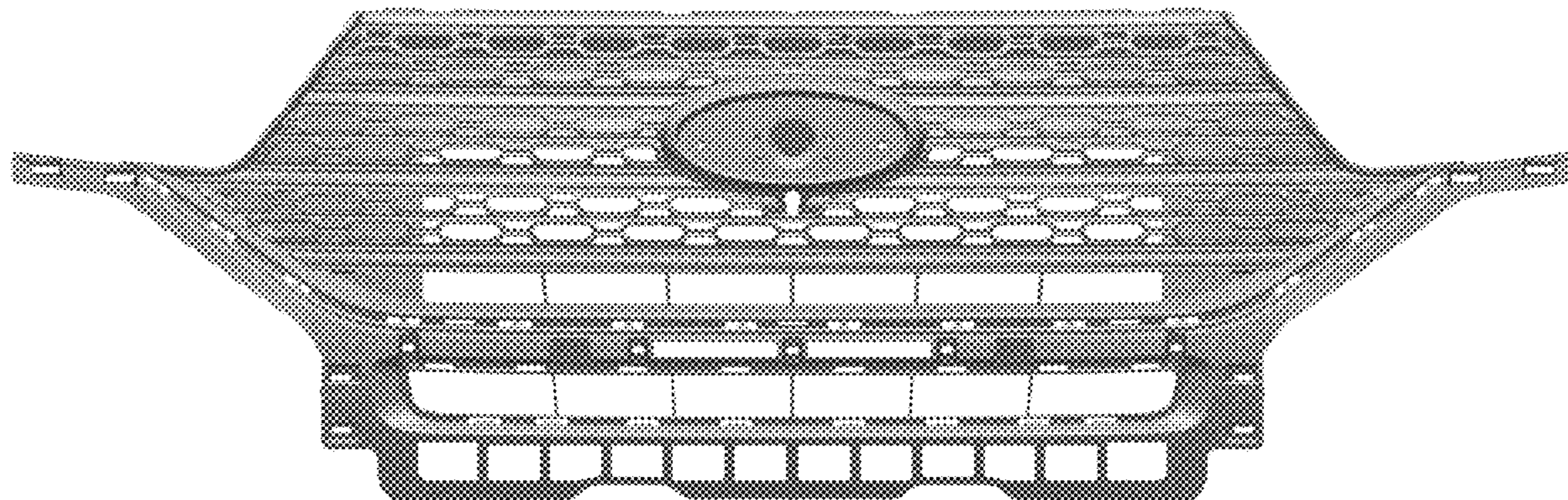
(57) **CLAIM**

The ornamental design for a vehicle front upper grille, as shown and described.

DESCRIPTION

FIG. 1 is a front elevational view of an embodiment of a vehicle front upper grille, showing our new design;
FIG. 2 is a left side elevational view thereof;
FIG. 3 is a right side elevational view thereof;
FIG. 4 is a top plan view thereof;
FIG. 5 is a bottom plan view thereof;
FIG. 6 is a top, front and left side perspective view thereof;
FIG. 7 is a bottom, front and left side perspective view thereof;
FIG. 8 is a front elevational view of another embodiment of a vehicle front upper grille, showing our new design;
FIG. 9 is a left side elevational view thereof;
FIG. 10 is a right side elevational view thereof;
FIG. 11 is a top, front and left side perspective view thereof;
and,
FIG. 12 is a bottom, front and left side perspective view thereof.

1 Claim, 12 Drawing Sheets



(56)

References Cited

U.S. PATENT DOCUMENTS

D825,406 S * 8/2018 Gueler D12/163
 D828,224 S * 9/2018 Janssen D12/91
 10,077,503 B2 ‡ 9/2018 Hashimoto B60K 11/08
 D829,616 S * 10/2018 Fuchino D12/169
 D874,360 S * 2/2020 Schell D12/163
 D878,255 S * 3/2020 Tonello D12/163
 D886,000 S * 6/2020 Metros D12/163
 D886,690 S * 6/2020 Hamilton D12/163
 D887,318 S * 6/2020 Platto D12/163
 D887,320 S * 6/2020 Hamilton D12/163
 D887,913 S * 6/2020 Scott D12/164
 D887,927 S * 6/2020 Platto D12/183
 D888,620 S * 6/2020 Dewitt D12/163
 D890,638 S * 7/2020 Lee D12/163
 D891,315 S * 7/2020 Metros D12/163
 D893,355 S * 8/2020 Kim D12/91
 D893,362 S * 8/2020 Ninov D12/164
 D894,801 S * 9/2020 Zipfel D12/163

D896,127 S * 9/2020 Yanagisawa D12/91
 D896,710 S * 9/2020 Li D12/163
 D897,905 S * 10/2020 Hamilton D12/99
 D898,620 S * 10/2020 Park D12/91
 D898,621 S * 10/2020 Fahr-Becker D12/91
 D898,629 S * 10/2020 Yang D12/163
 D899,327 S * 10/2020 Kim D12/169
 D899,976 S * 10/2020 Metros D12/163
 D900,679 S * 11/2020 Yokoi D12/99
 D900,685 S * 11/2020 Gillam D12/163
 D901,339 S * 11/2020 Fahr-Becker D12/163
 D901,341 S * 11/2020 Yang D12/163
 D901,342 S * 11/2020 Yang D12/163
 D902,093 S * 11/2020 Behmer D12/163
 2015/0183313 A1 * 7/2015 Bruckner B60K 11/085
 180/68.1
 2019/0143806 A1 * 5/2019 Vacca B60K 11/08
 180/68.1
 2020/0324739 A1 * 10/2020 Singh B62D 25/085

* cited by examiner
 ‡ imported from a related application

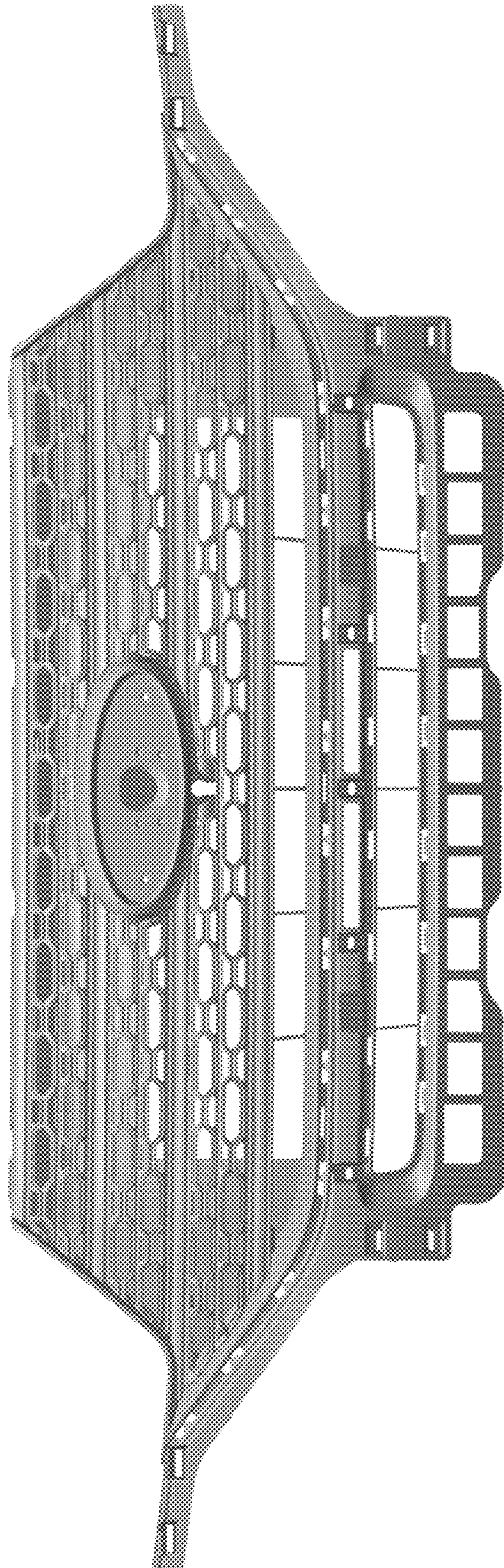


Fig. 1

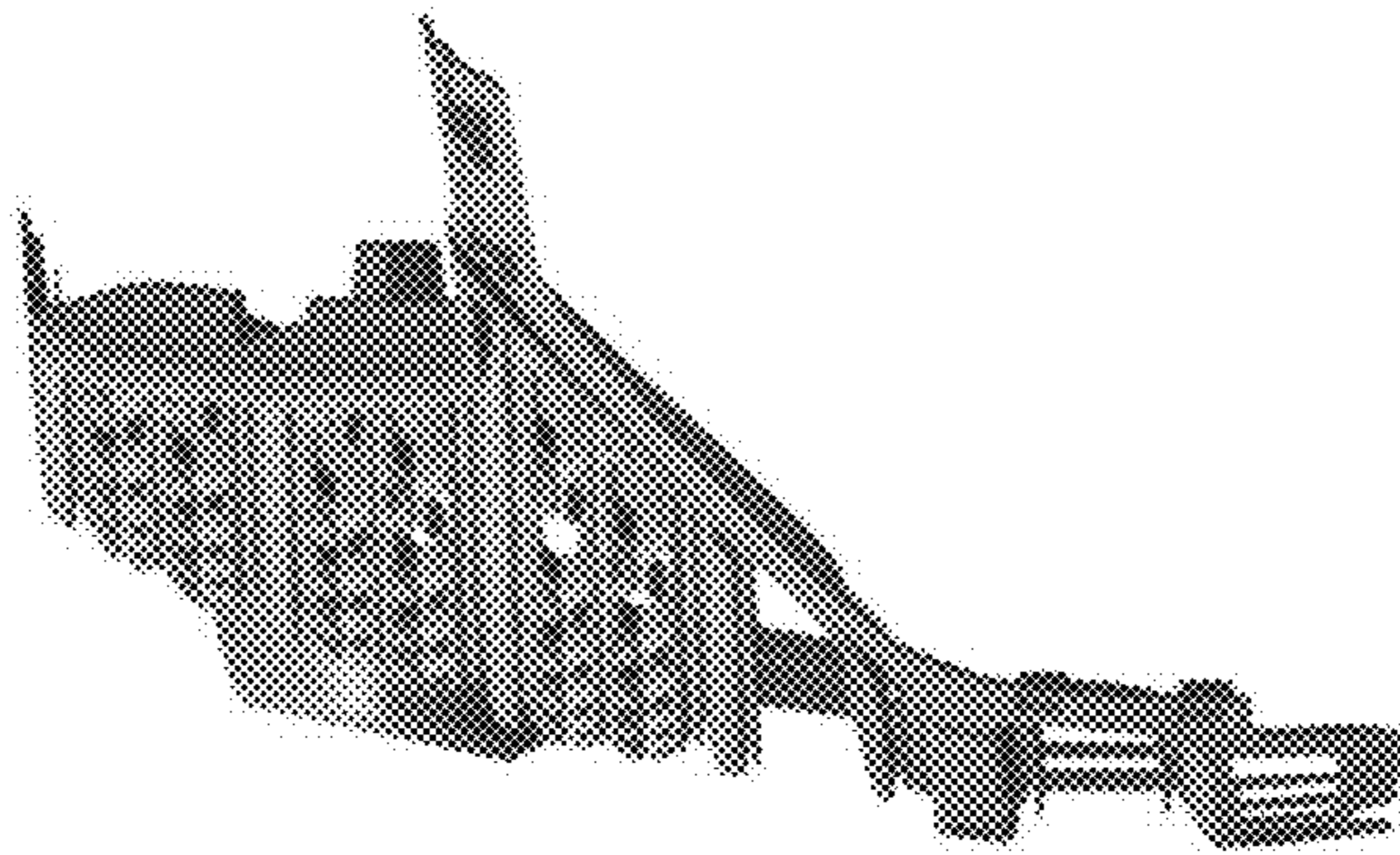


Fig. 2

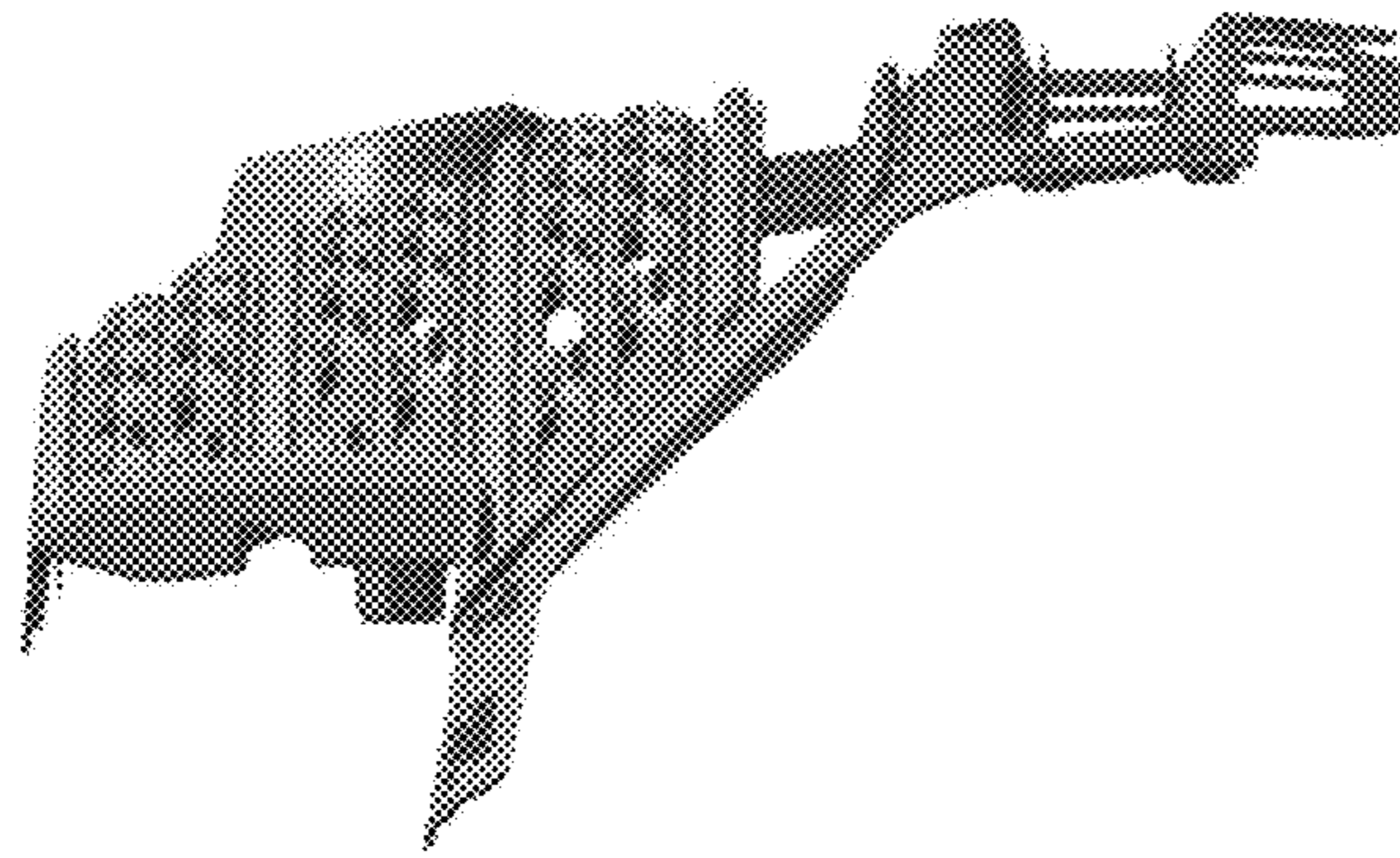


Fig. 3

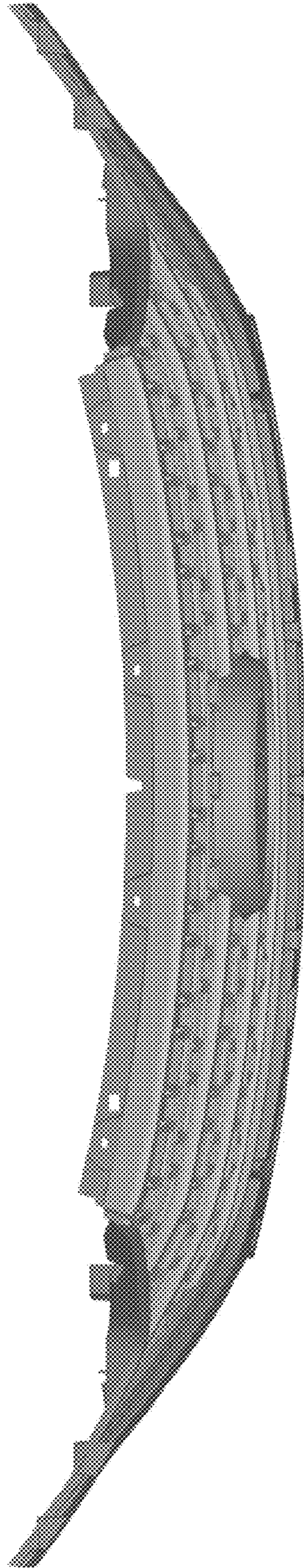


Fig. 4

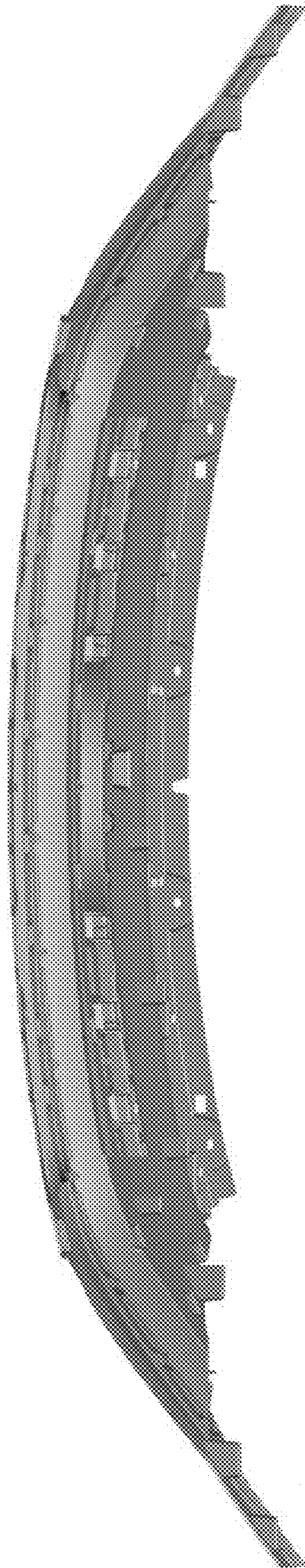


Fig. 5

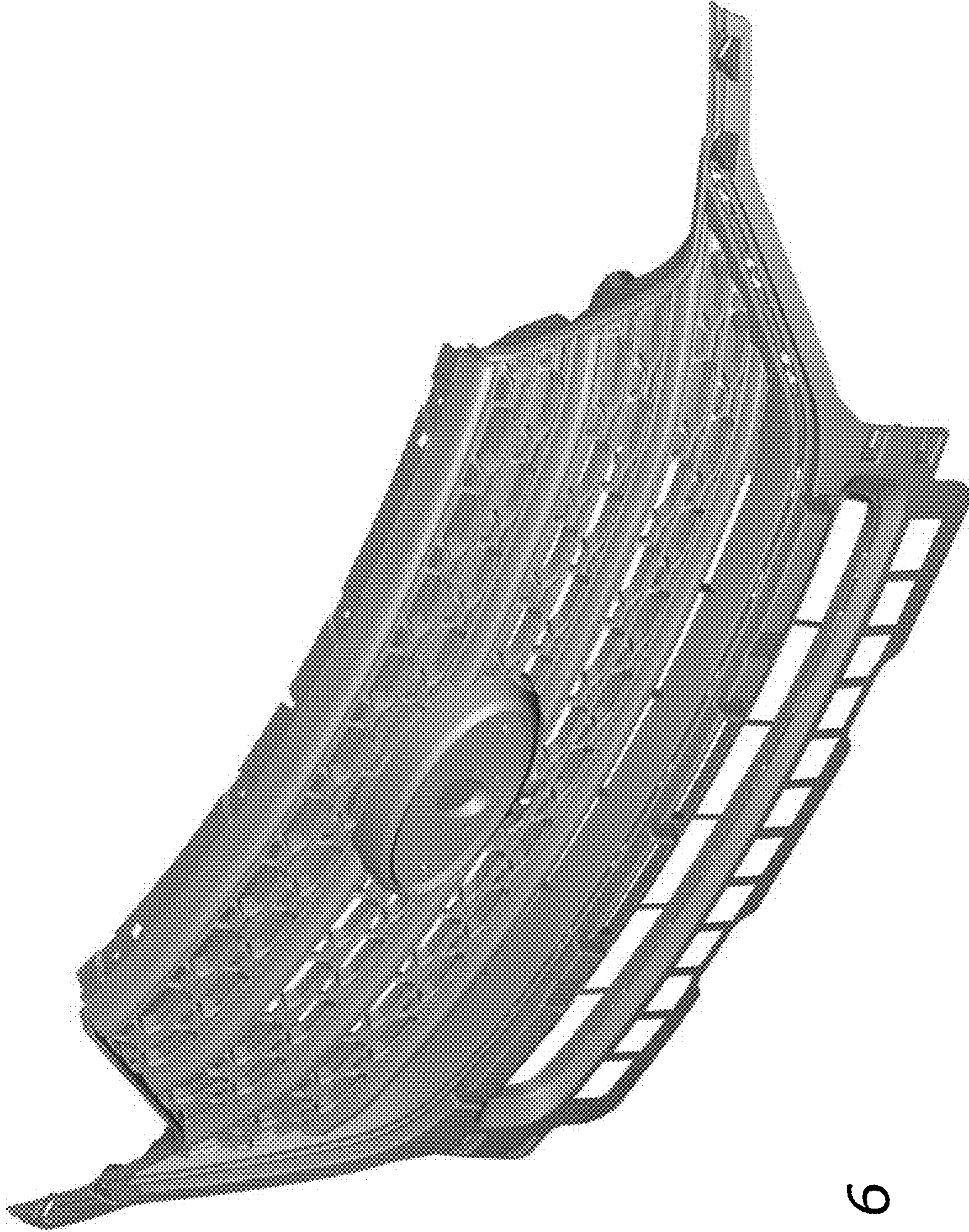


Fig. 6

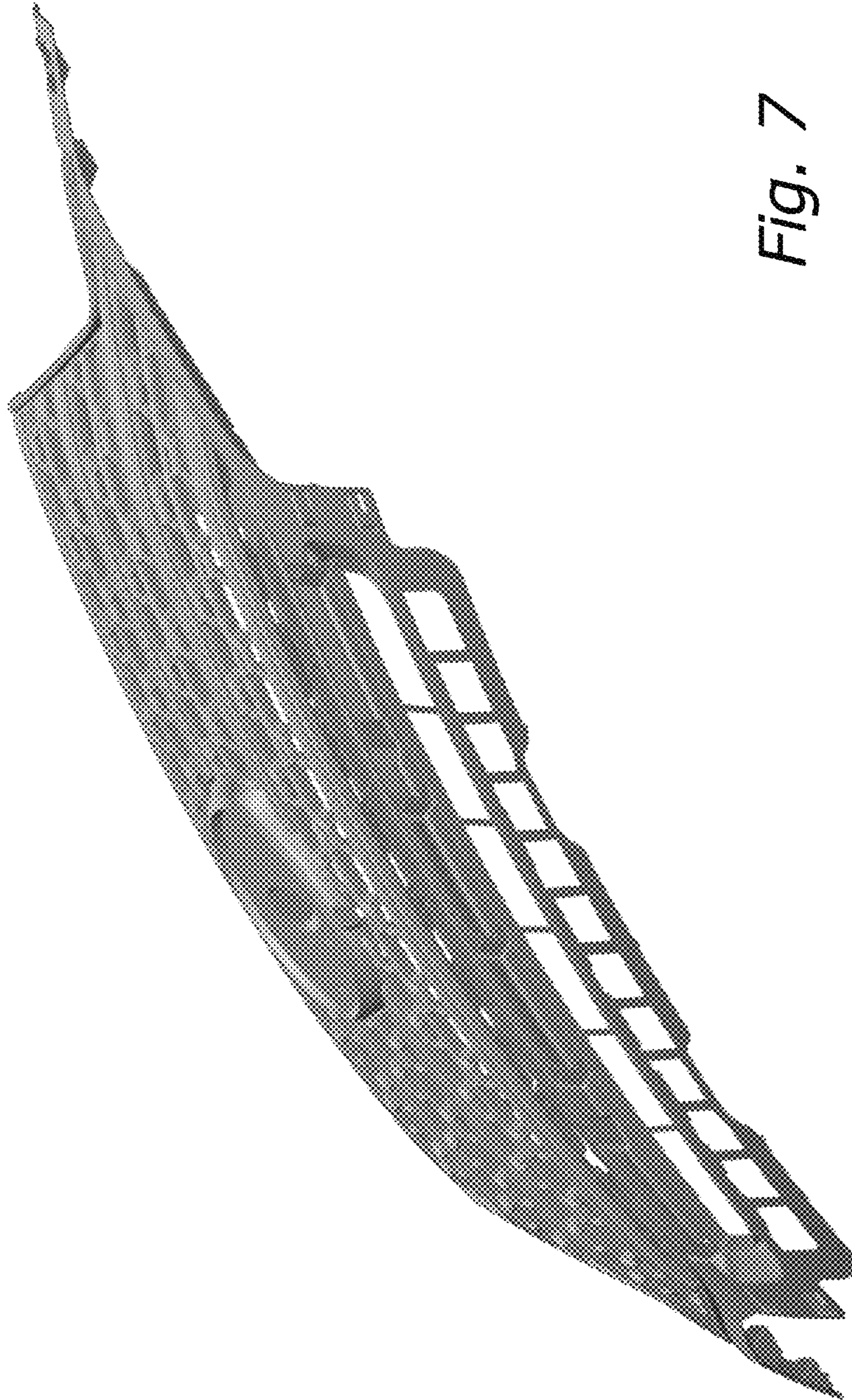


Fig. 7

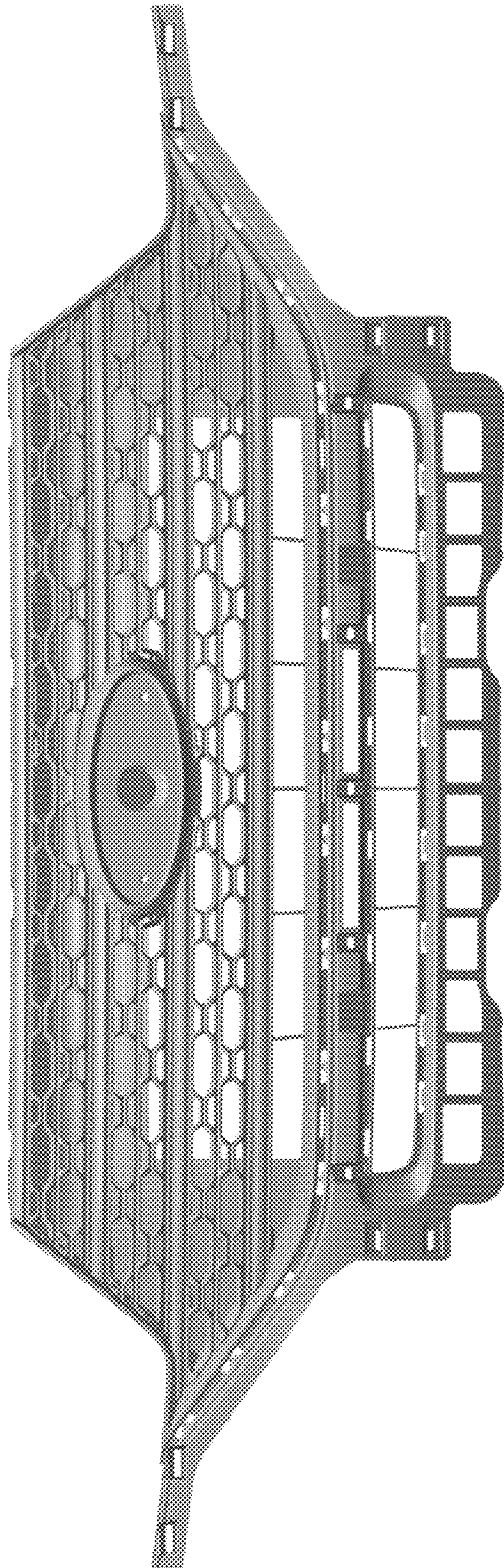


Fig. 8

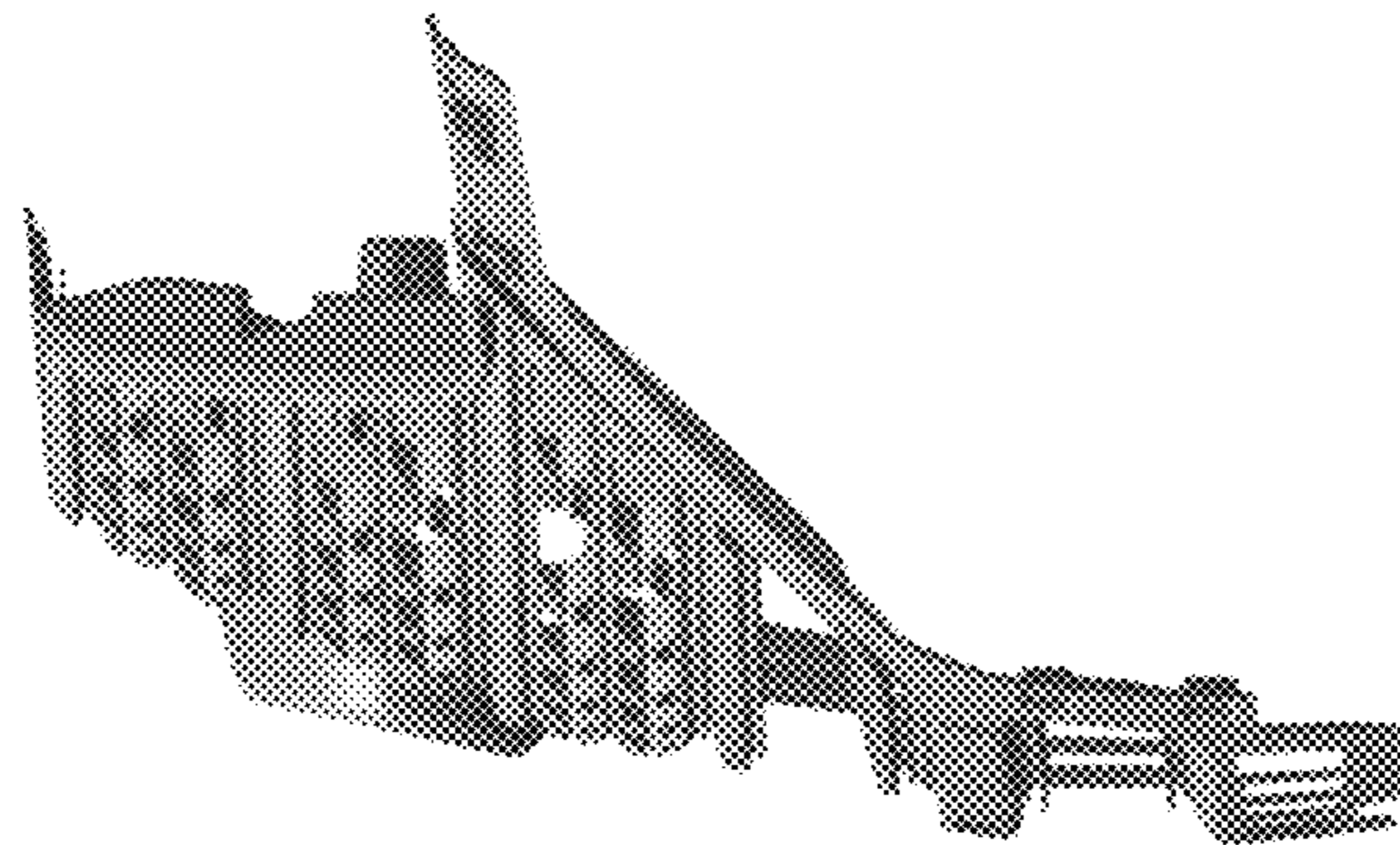


Fig. 9

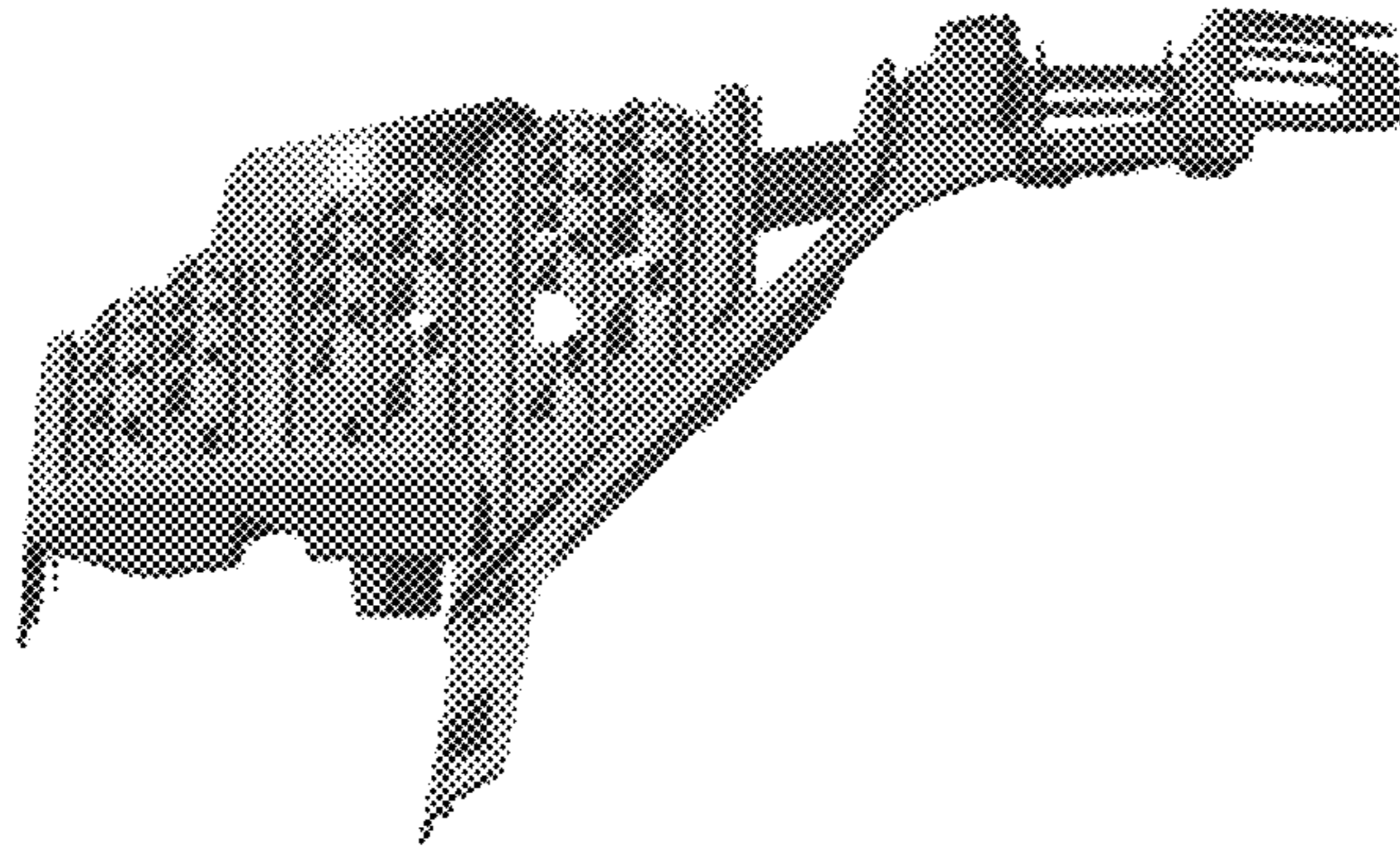


Fig. 10

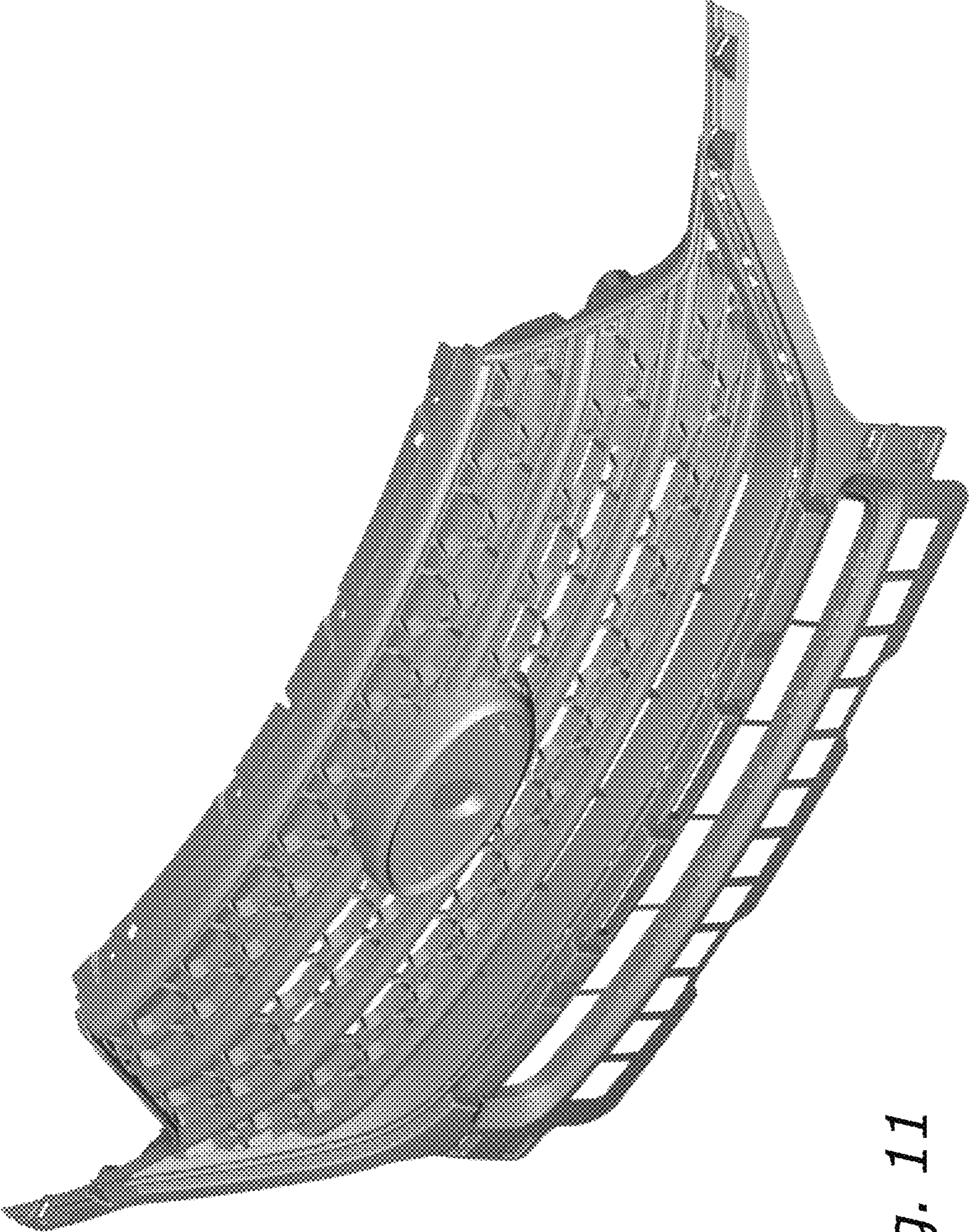


Fig. 11

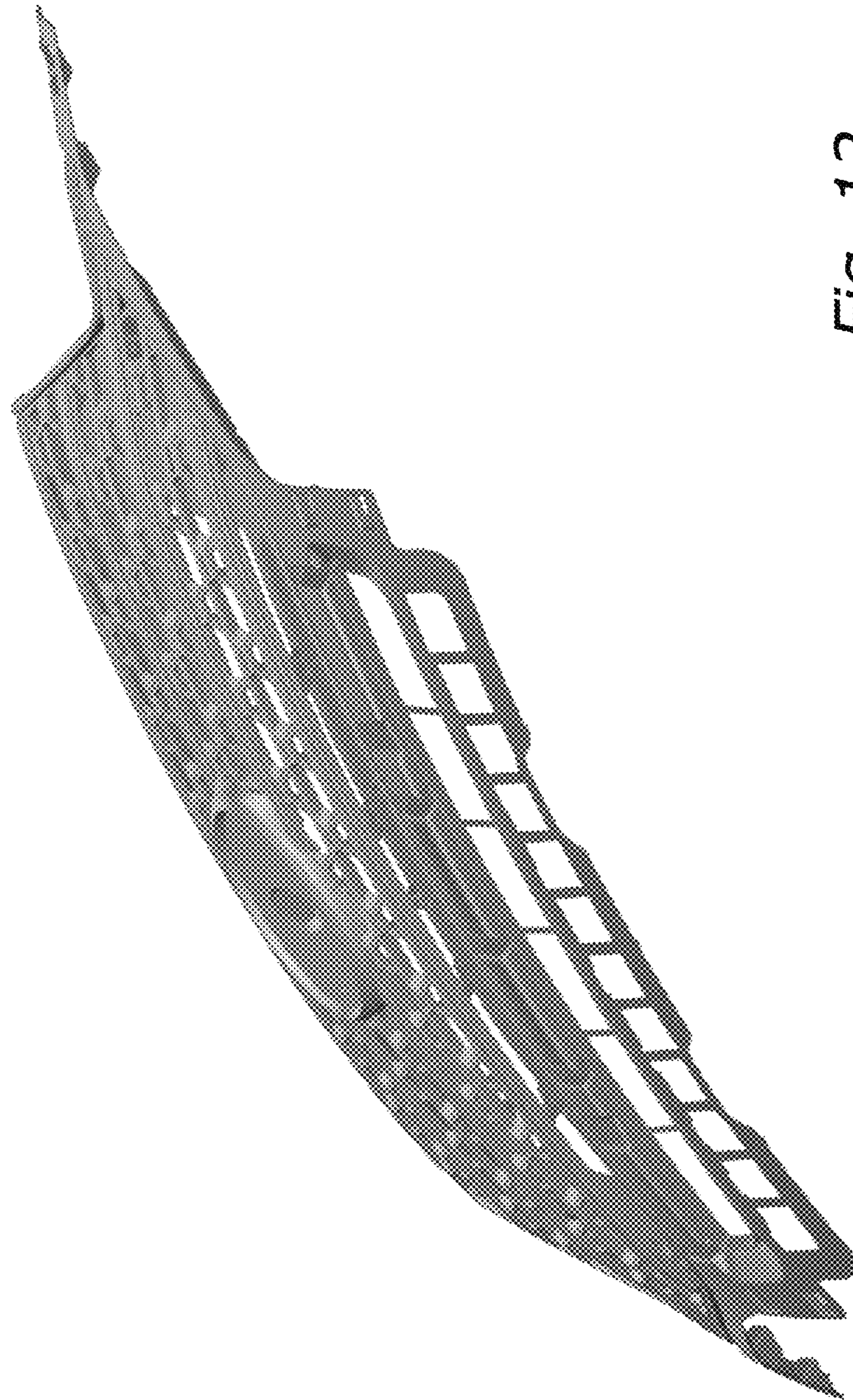


Fig. 12