



US00D940602S

(12) **United States Design Patent** (10) **Patent No.:** **US D940,602 S**
Leuck (45) **Date of Patent:** **** Jan. 11, 2022**

(54) **WHEELCHAIR SEAT CUSHION POCKET**

(71) Applicant: **Jason Leuck**, Lincoln, NE (US)

(72) Inventor: **Jason Leuck**, Lincoln, NE (US)

(73) Assignee: **Andrea Leuck**, Lincoln, NE (US)

(**) Term: **15 Years**

(21) Appl. No.: **29/708,392**

(22) Filed: **Oct. 4, 2019**

(51) **LOC (13) Cl.** **12-12**

(52) **U.S. Cl.**
USPC **D12/133**

(58) **Field of Classification Search**
USPC D12/133
CPC A61G 5/00-14
See application file for complete search history.

(56) **References Cited**

U.S. PATENT DOCUMENTS

| | | | | |
|-----------|------|---------|-----------------|-------------------------|
| 5,088,747 | A | 2/1992 | Morrison et al. | |
| 5,154,331 | A | 10/1992 | Sanders | |
| 5,542,690 | A | 8/1996 | Kozicki | |
| 5,564,136 | A | 10/1996 | Cox | |
| 5,605,235 | A * | 2/1997 | Johnson | F16M 13/00 211/26.1 |
| 6,009,578 | A | 1/2000 | Davis | |
| 6,254,116 | B1 | 7/2001 | Szumlic et al. | |
| 6,866,337 | B1 * | 3/2005 | Lash | A47C 31/11 297/188.2 |
| 7,182,091 | B2 | 2/2007 | Maddox | |
| 7,344,055 | B2 | 3/2008 | Macocho | |
| D601,484 | S * | 10/2009 | Alfonso | D12/133 |
| D621,136 | S * | 8/2010 | Williams | D2/864 |
| D636,997 | S * | 5/2011 | DeVoe | D3/303 |
| D656,071 | S * | 3/2012 | Treon | D12/133 |
| 8,157,140 | B2 | 4/2012 | Jay | |
| D671,867 | S * | 12/2012 | Mondotte | D12/133 |
| D694,675 | S * | 12/2013 | Famularo | D12/133 |

| | | | | |
|--------------|------|---------|-------------|---------------------|
| D716,192 | S * | 10/2014 | Mondotte | D12/133 |
| D807,640 | S * | 1/2018 | Goldszer | D3/303 |
| D808,170 | S * | 1/2018 | Goldszer | D3/303 |
| 2002/0018601 | A1 * | 2/2002 | Nelson | B65D 33/14 383/7 |
| 2011/0215618 | A1 | 9/2011 | Hopkins | |
| 2013/0186924 | A1 | 7/2013 | Bone et al. | |
| 2016/0051068 | A1 | 2/2016 | Romeo | |

FOREIGN PATENT DOCUMENTS

CN 204446350 7/2015

OTHER PUBLICATIONS

“Pouch”, <http://www.handybagco.com/product/pouch>, retrieved Sep. 10, 2019.

(Continued)

Primary Examiner — Charles D Hanson
(74) *Attorney, Agent, or Firm* — The Roy Gross Law Firm, LLC; Roy Gross

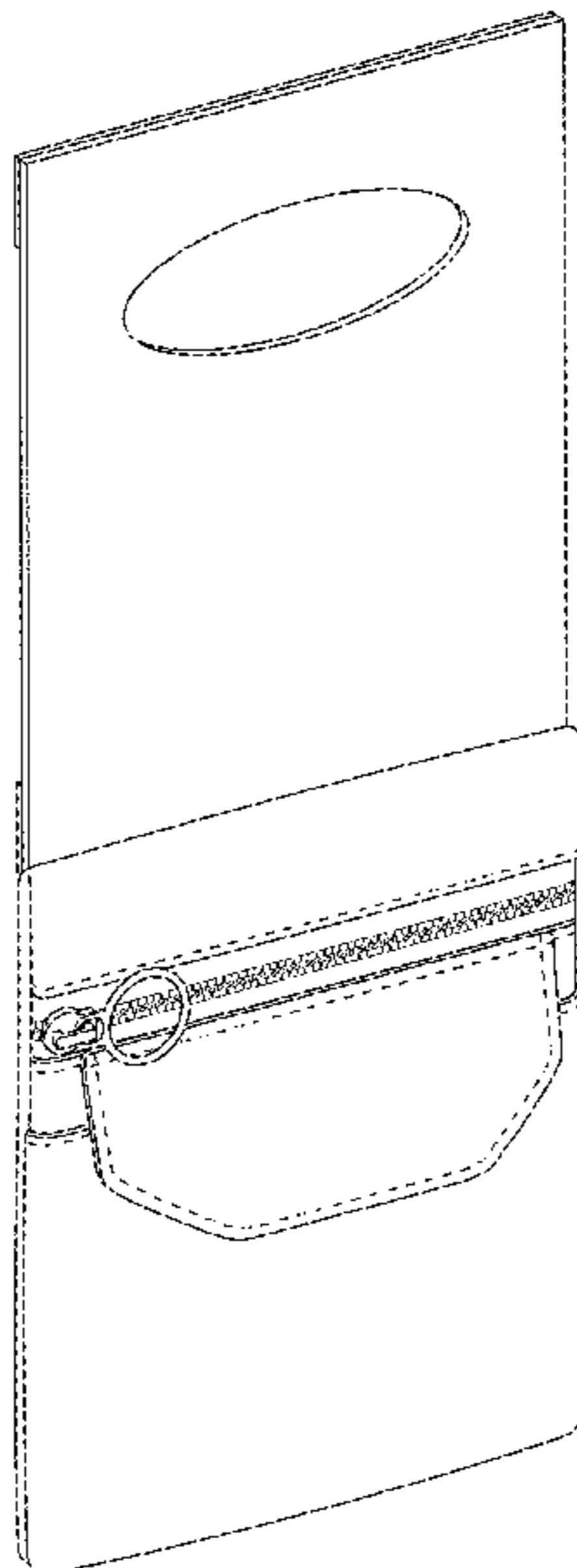
(57) **CLAIM**

The ornamental design for wheelchair seat cushion pocket, as shown and described.

DESCRIPTION

FIG. 1 is a front perspective view of a wheelchair seat cushion pocket in accordance with the new design; FIG. 2 is a front view thereof; FIG. 3 is a rear view thereof; FIG. 4 is a right side view thereof; FIG. 5 is a left side view thereof; FIG. 6 is a top view thereof; and, FIG. 7 is a bottom view thereof. The broken lines shown in FIGS. 1-2 are directed to environment and are for illustrative purposes only; the broken lines form no part of the claimed design.

1 Claim, 5 Drawing Sheets



(56)

References Cited

OTHER PUBLICATIONS

“Deluxe Down Under Wheelchair Pouch” <http://www.dmehub.net/Deluxe-Down-Under-Seat-Pouch>, retrieved Sep. 10, 2019.

“Pembrook Wheelchair Side Bag” http://www.amazon.com/dp/B00M13VX1E/ref=sspa_dk_detail, retrieved Sep. 10, 2019.

“HandyBag Pouch-Wheelchair front bag/pouch” <http://www.amazon.com/HandyBag-Pouch-Wheelchair-front-pouch>, retrieved Sep. 10, 2019.

* cited by examiner

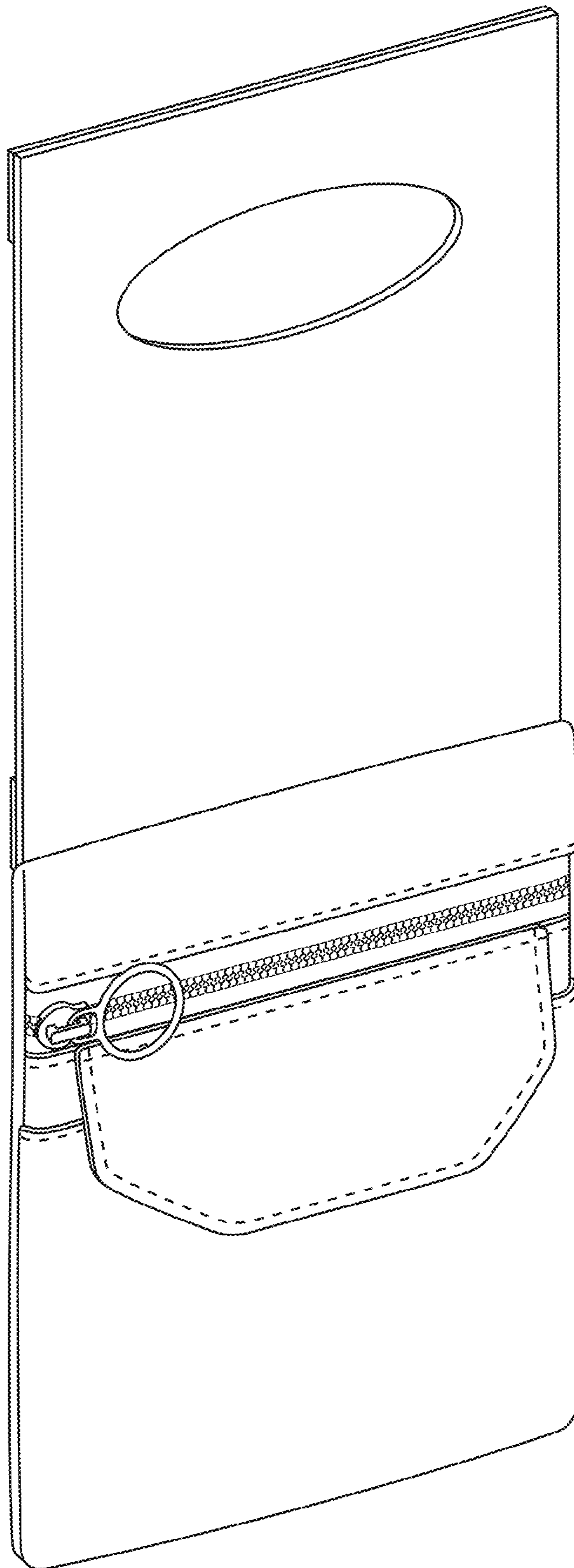


FIG. 1

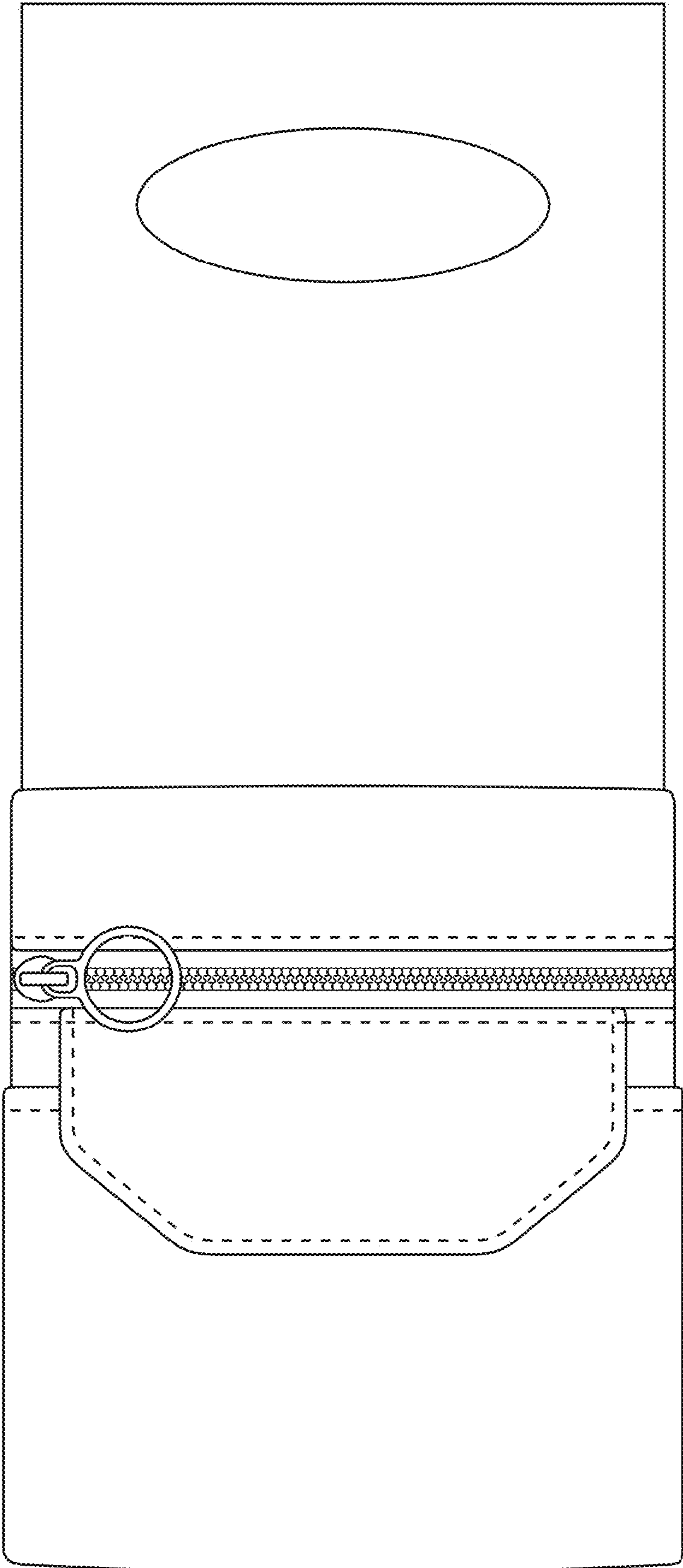


FIG. 2

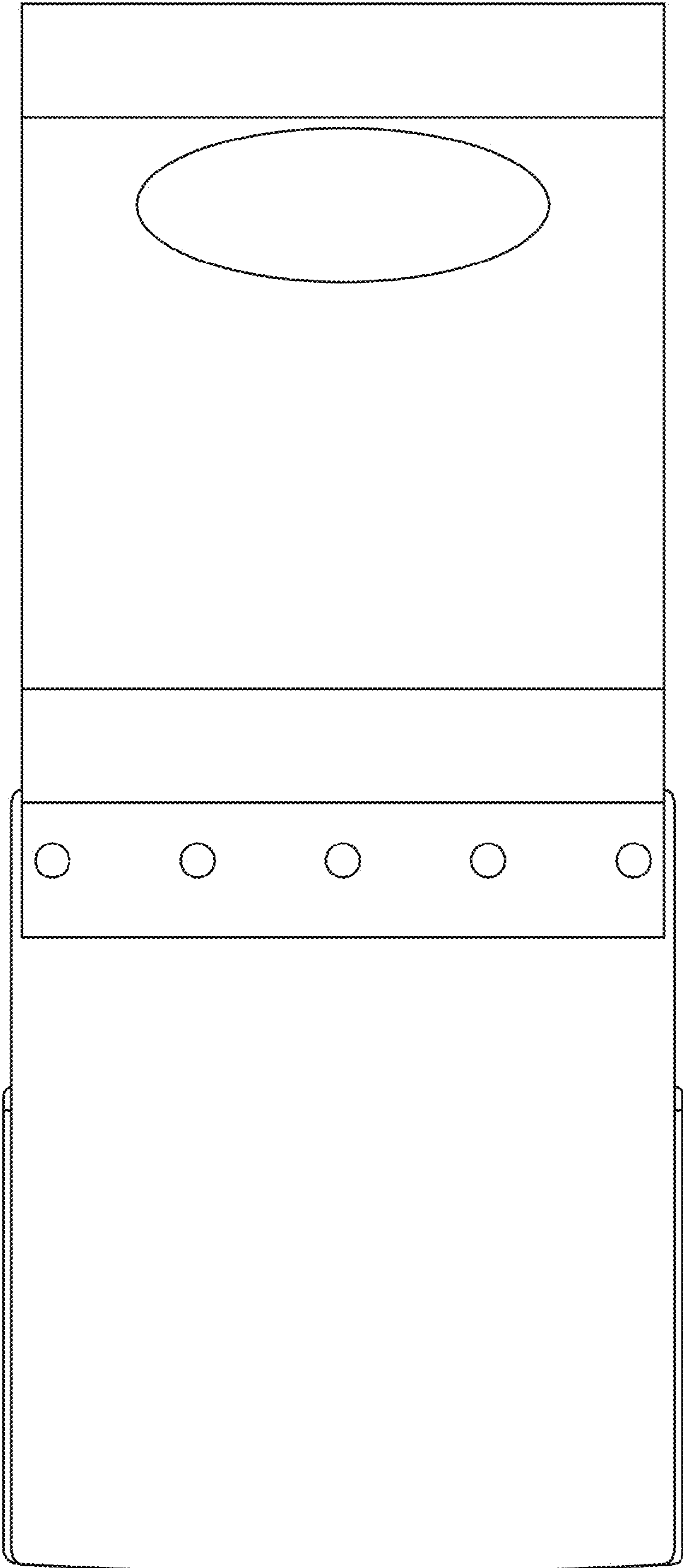


FIG. 3



FIG. 4

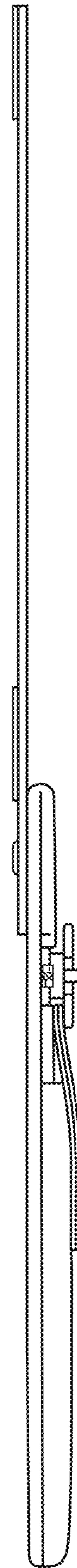


FIG. 5

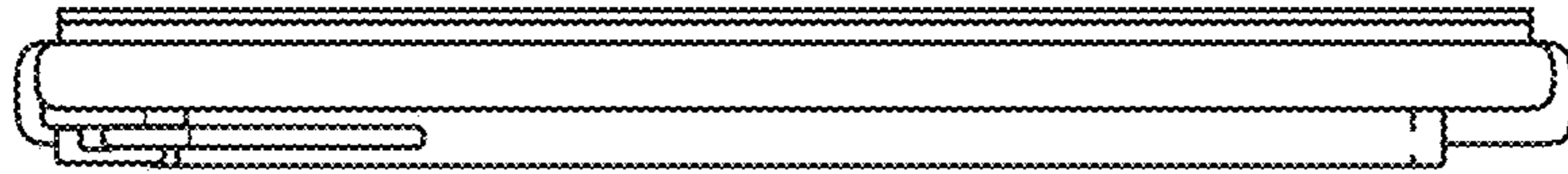


FIG. 6



FIG. 7