



US00D940601S

(12) **United States Design Patent**
Li

(10) **Patent No.:** **US D940,601 S**
(45) **Date of Patent:** **** Jan. 11, 2022**

(54) **ROLLATOR**

(71) Applicant: **Qingfeng Li**, Foshan (CN)

(72) Inventor: **Qingfeng Li**, Foshan (CN)

(**) Term: **15 Years**

(21) Appl. No.: **29/652,476**

(22) Filed: **Aug. 28, 2020**

(51) **LOC (13) Cl.** **12-12**

(52) **U.S. Cl.**
USPC **D12/130**

(58) **Field of Classification Search**
USPC D12/128, 129, 130, 131, 132, 133
CPC A61H 3/00; A61H 3/04; A61H 2003/001;
A61H 2003/002; A61H 2003/003; A61H
2003/004; A61H 2003/005; A61H
2003/006; A61H 2003/007; A61H
2003/043; A61H 2003/046
See application file for complete search history.

(56) **References Cited**

U.S. PATENT DOCUMENTS

D836,499 S * 12/2018 Delatorre D12/130
D897,243 S * 9/2020 Tsai D12/130
D903,538 S * 12/2020 Lin D12/130
2017/0008544 A1 * 1/2017 Kindberg A61H 3/04
2017/0354564 A1 * 12/2017 Dirauf G08B 21/0476
2020/0352816 A1 * 11/2020 Lu A61H 1/00

FOREIGN PATENT DOCUMENTS

CN 106265002 A * 1/2017
CN 108272605 A * 7/2018
CN 108785027 A * 11/2018
CN 110279564 A * 9/2019
CN 112168633 A * 1/2021
DE 102016210212 A1 * 12/2017 G08B 25/016

EP 3205322 A1 * 8/2017 A61H 3/04
KR 20200120995 A * 10/2020
WO WO-2020236747 A1 * 11/2020 A61B 5/1117
WO WO-2021037936 A1 * 3/2021 A61H 3/04
WO WO-2021079835 A1 * 4/2021 A61H 3/04

OTHER PUBLICATIONS

Healconnex Rollator, Published Dec. 28, 2020 [online], [retrieved on Sep. 17, 2021]. Retrieved from the Internet: <https://www.amazon.com/Healconnex-Rollator-Seniors-Lightweight-Aluminium/dp/B08RDW9SM2> (Year: 2020).*

OasisSpace Rollator, Published Sep. 12, 2017 [online], [retrieved on Sep. 17, 2021]. Retrieved from the Internet: <https://www.amazon.com/Healconnex-Rollator-Seniors-Lightweight-Aluminium/dp/B08RDW9SM2> (Year: 2017).*

* cited by examiner

Primary Examiner — Cary M Robinson
Assistant Examiner — Adam C Mager
(74) *Attorney, Agent, or Firm* — Dunlap Bennett & Ludwig, PLLC; Brendan E. Squire

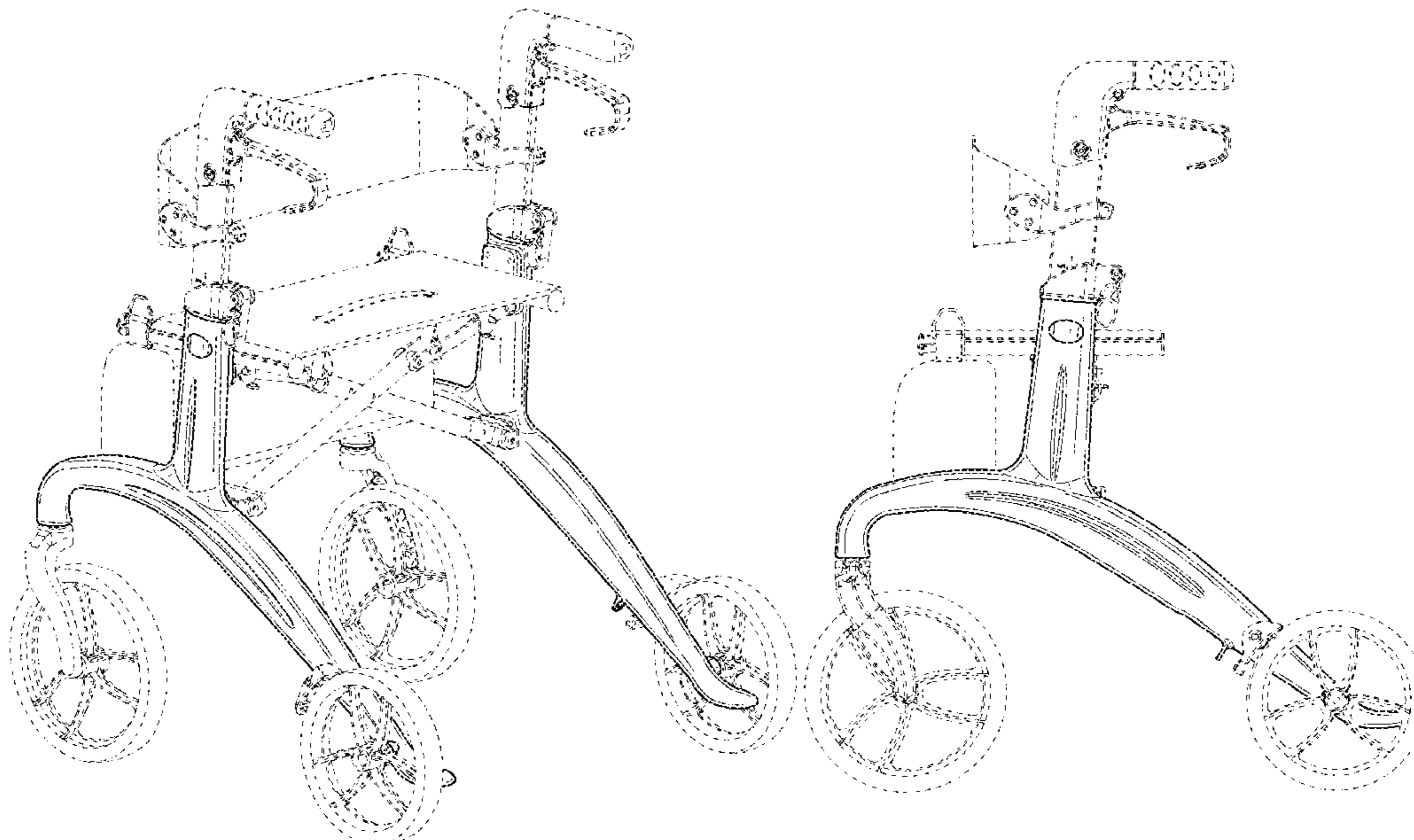
(57) **CLAIM**

The ornamental design for a rollator, as shown and described.

DESCRIPTION

FIG. 1 is a rear perspective view of a rollator showing my new design;
FIG. 2 is a front elevation view thereof;
FIG. 3 is a rear elevation view thereof;
FIG. 4 is a left side elevation view thereof;
FIG. 5 is a right side elevation view thereof;
FIG. 6 is a top plan view thereof; and,
FIG. 7 is bottom plan view thereof.
The broken lines shown in the drawings illustrate portions of the rollator that form no part of the claimed design.

1 Claim, 5 Drawing Sheets



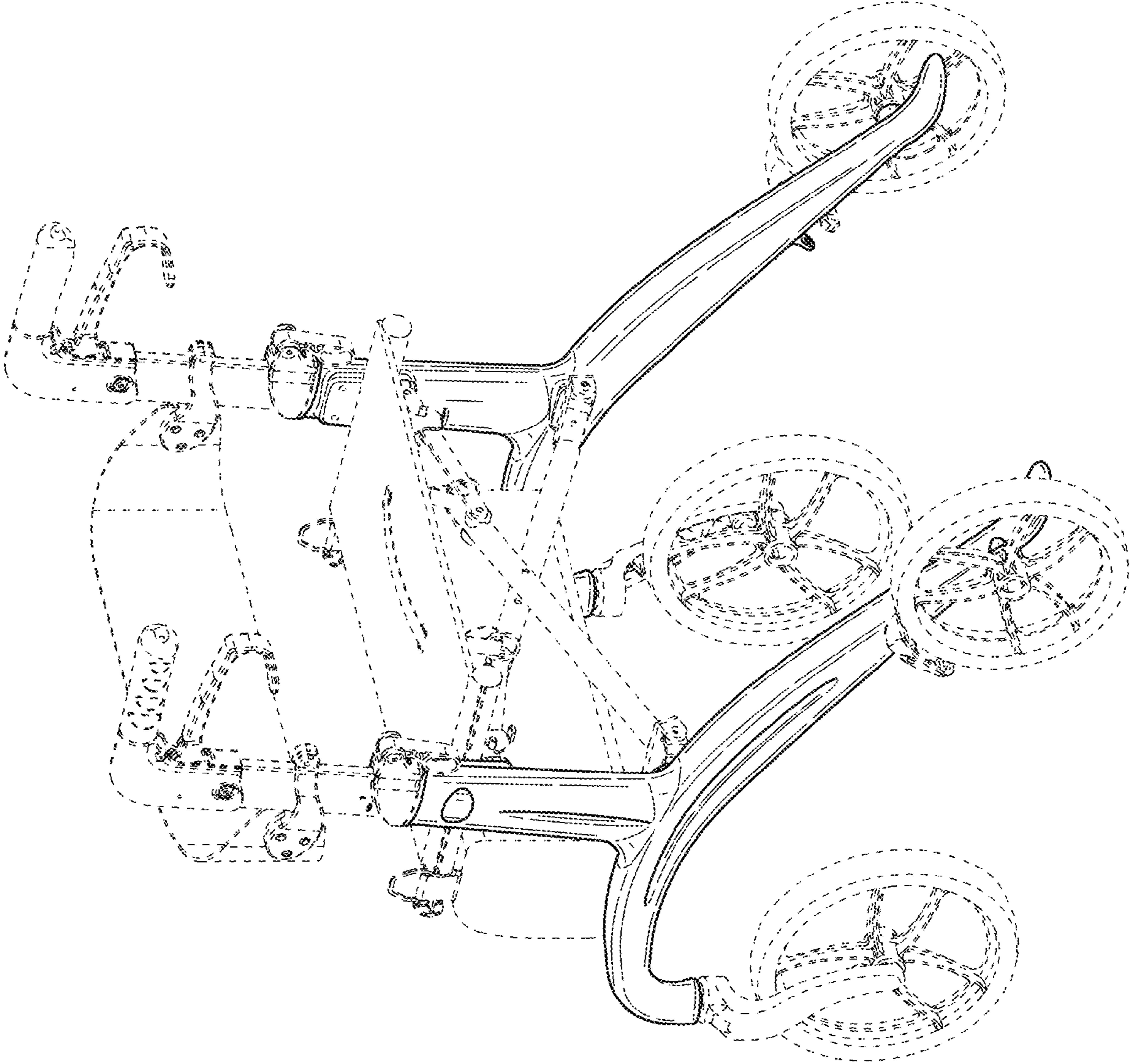


FIG. 1

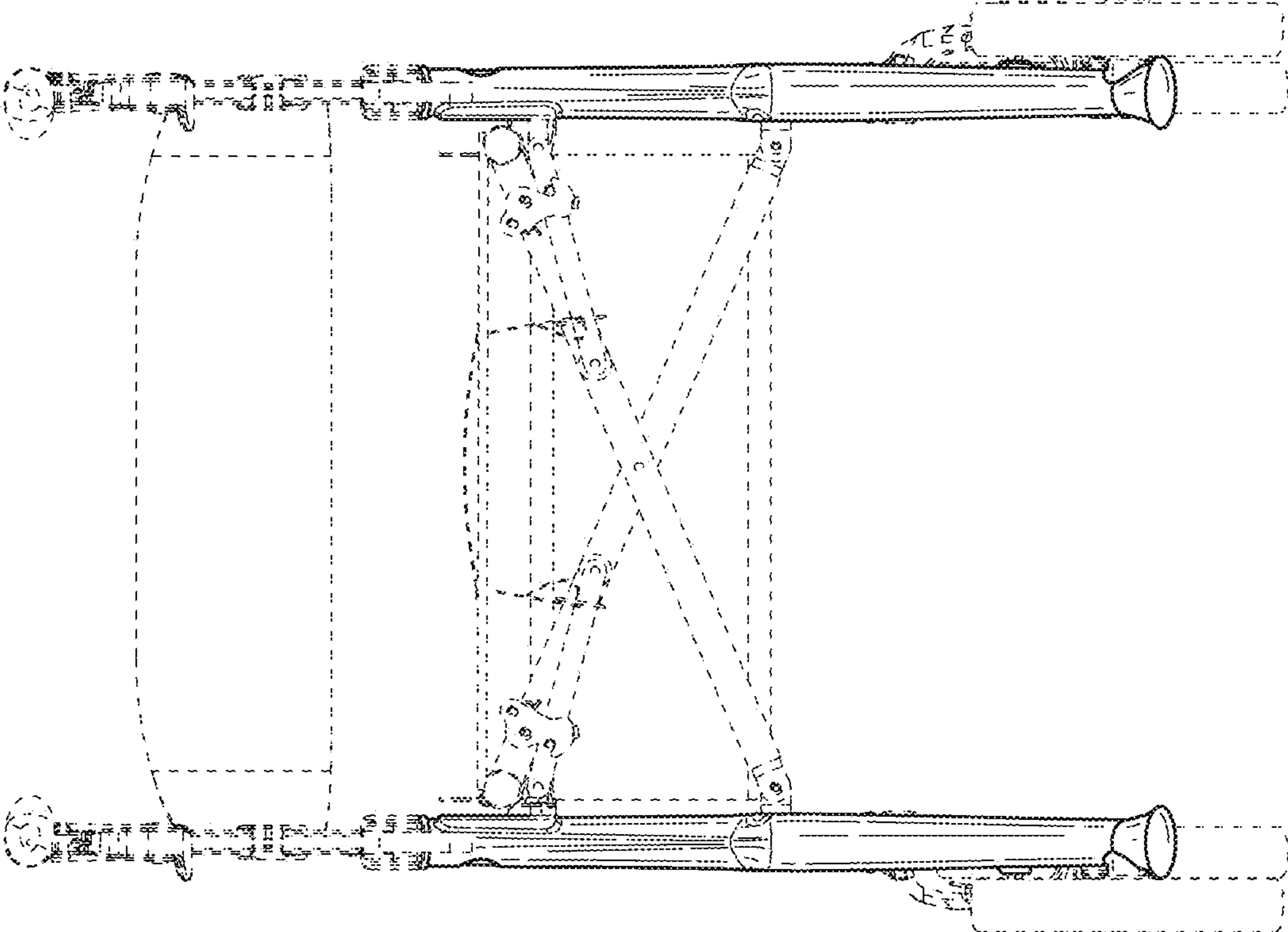


FIG. 2

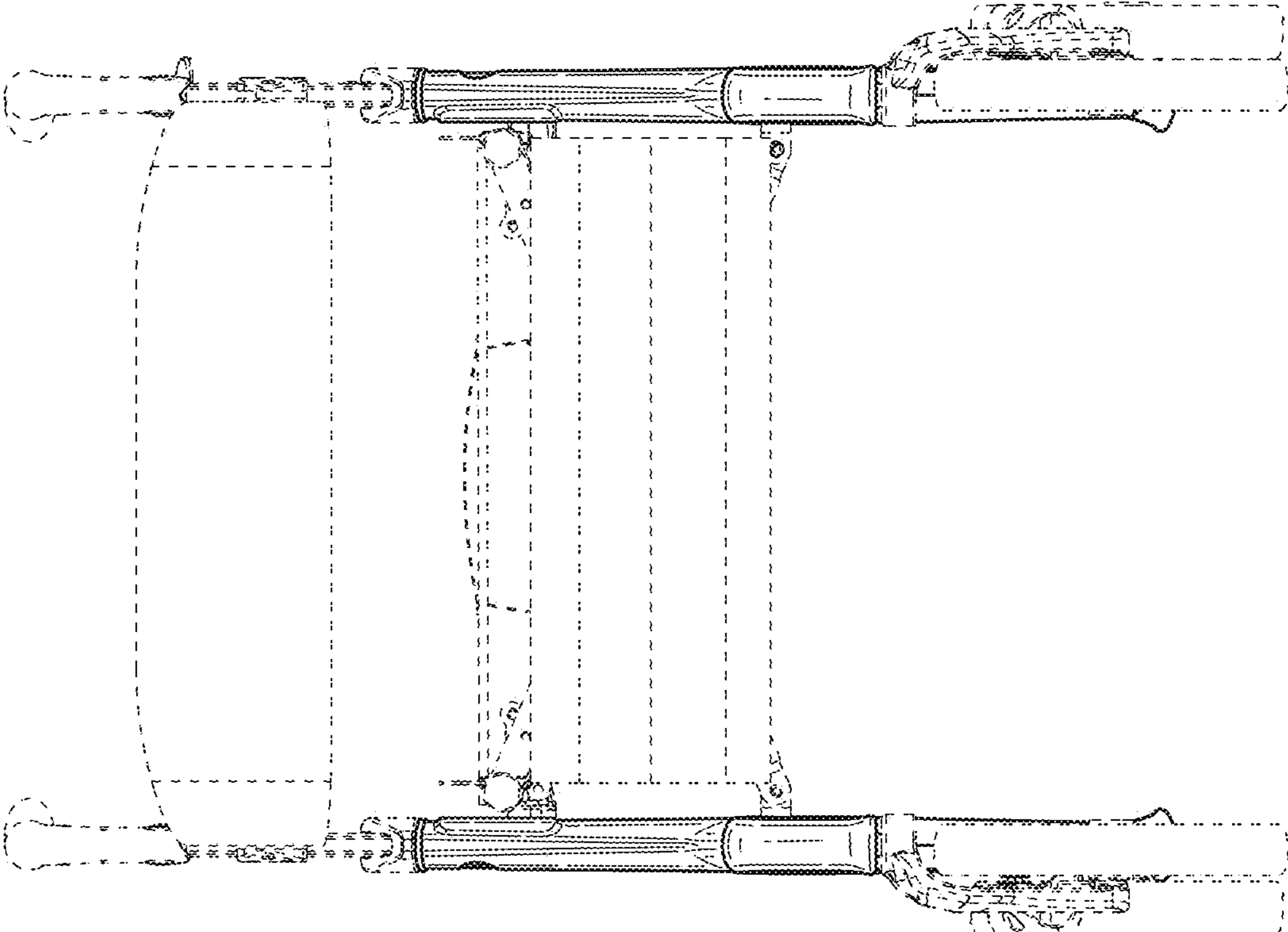


FIG. 3

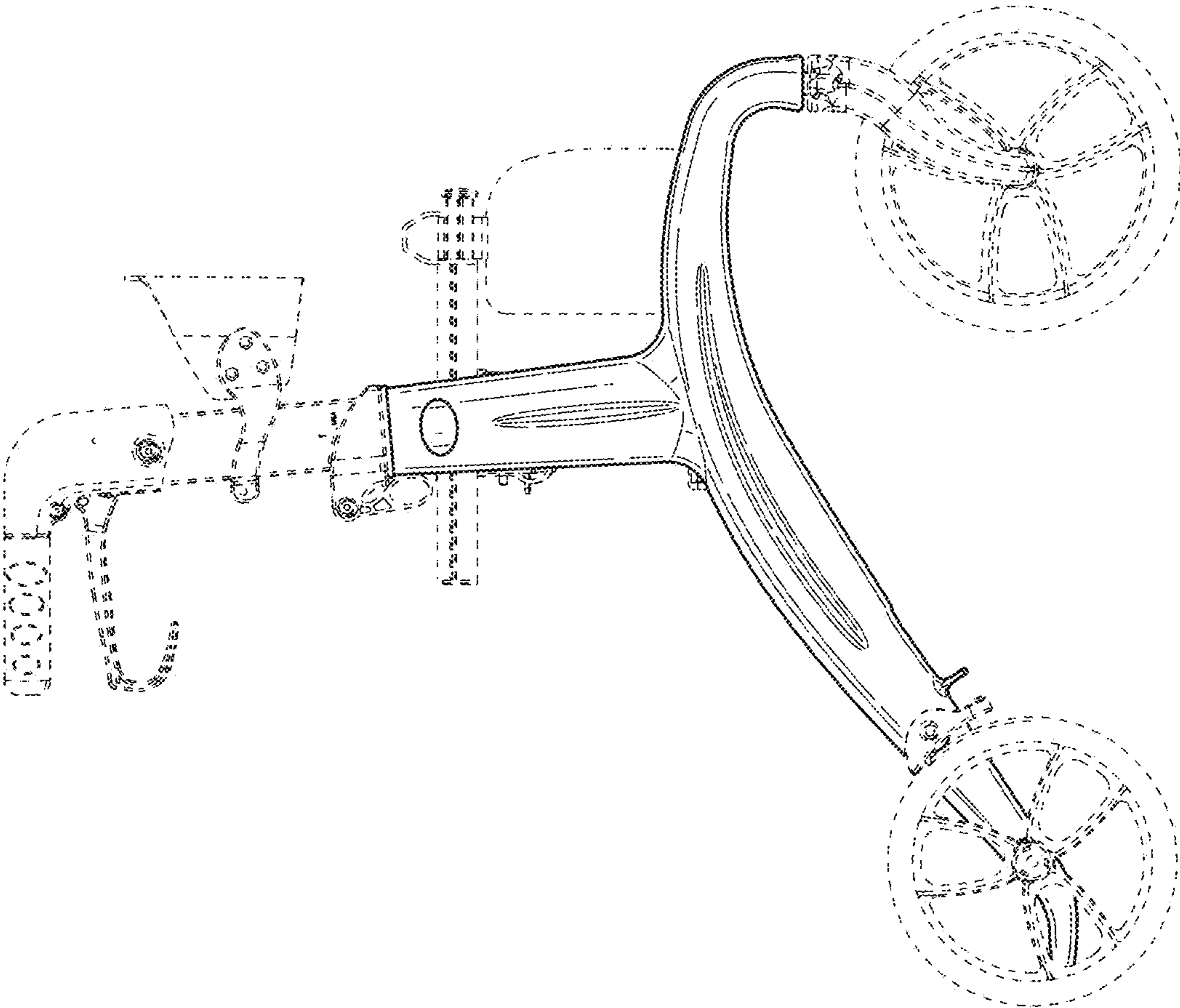


FIG. 4

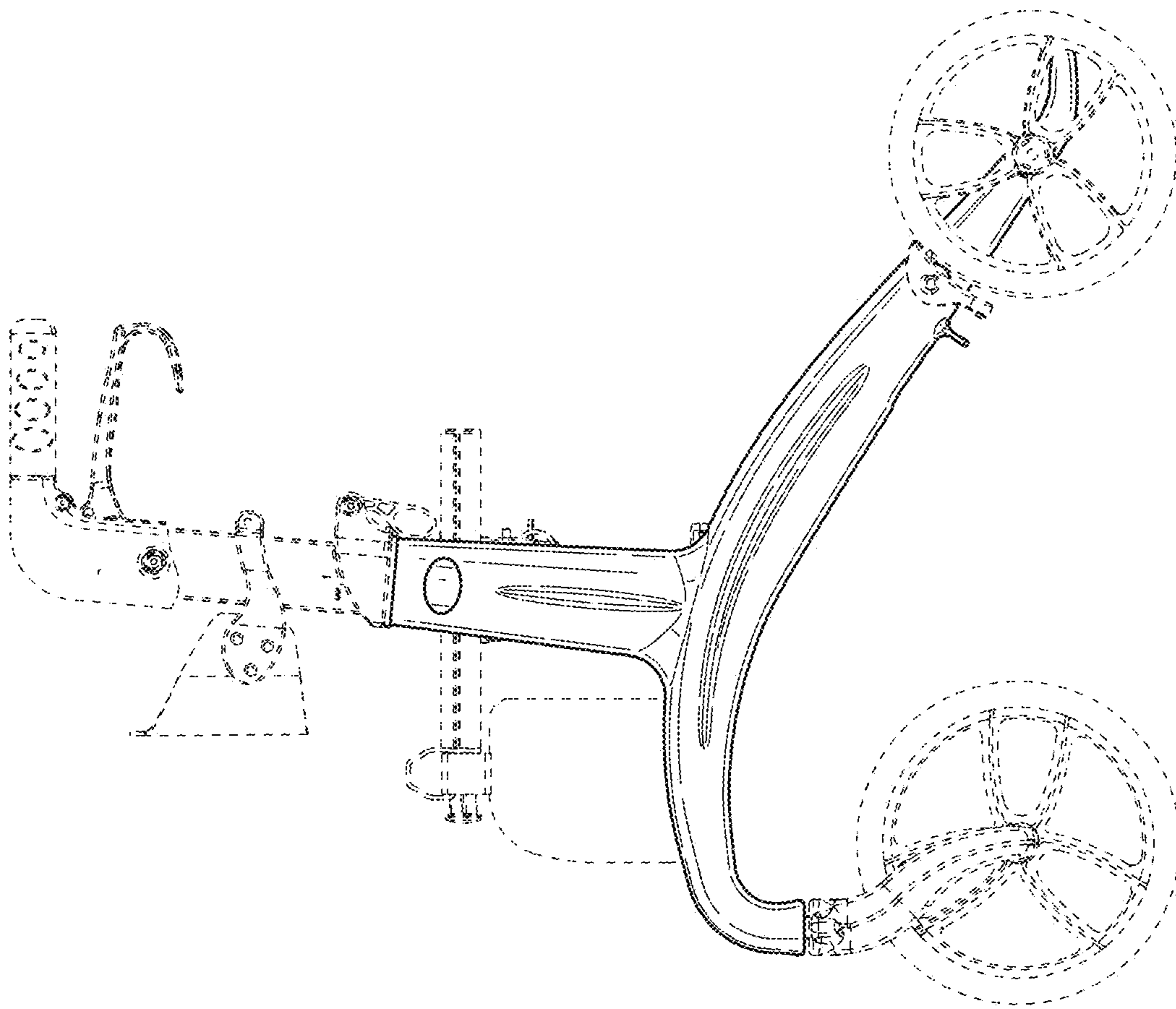


FIG. 5

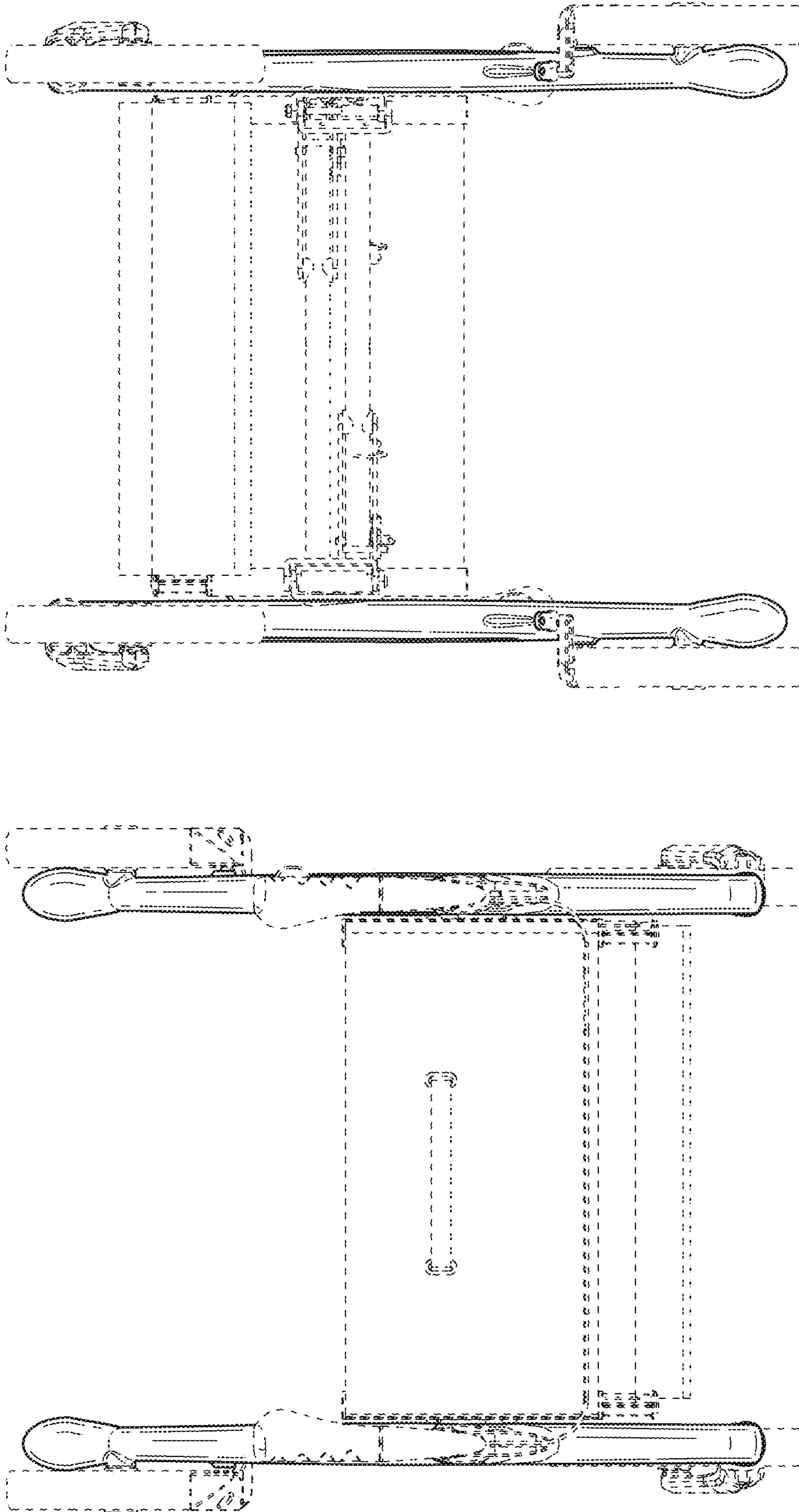


FIG. 7

FIG. 6