



US00D940600S

(12) **United States Design Patent** (10) **Patent No.:** **US D940,600 S**  
**Chambers et al.** (45) **Date of Patent:** **\*\* \*Jan. 11, 2022**

(54) **MOTORBIKE FRAME WITH GUSSET JOINT**

btr-fabrications.com/family/owners/32daycycle-ranger-frame-101/> (Year: 2016).\*

(71) Applicant: **Super73, Inc.**, Irvine, CA (US)

(Continued)

(72) Inventors: **Ian Chambers**, Irvine, CA (US);  
**Legrand Crewse**, Irvine, CA (US)

*Primary Examiner* — Darlington Ly

*Assistant Examiner* — Nasim Abdulaziz Ali

(73) Assignee: **Super 73, Inc.**, Irvine, CA (US)

(74) *Attorney, Agent, or Firm* — Stradling Yocca Carlson & Rauth

(\*) Notice: This patent is subject to a terminal disclaimer.

(\*\*) Term: **15 Years**

(57) **CLAIM**

The ornamental design for a motorbike frame with gusset joint, as shown and described.

(21) Appl. No.: **29/721,990**

(22) Filed: **Jan. 24, 2020**

(51) **LOC (13) Cl.** ..... **12-11**

(52) **U.S. Cl.**  
USPC ..... **D12/117**

(58) **Field of Classification Search**  
USPC ..... D12/111, 117, 406, 407; 280/274, 281,  
280/283–288

CPC . B62K 3/00; B62K 3/005; B62K 9/00; B62K  
19/00; B62K 19/02; B62K 19/04; B62K  
19/06; B62K 19/16

See application file for complete search history.

**DESCRIPTION**

FIG. 1 is a top perspective view showing the top, rear, and right sides of a motorbike frame with gusset joint in one intended environment;

FIG. 2 is a top perspective view showing the top, front, and left sides of the motorbike frame with gusset joint;

FIG. 3 is a top perspective view showing the top, rear, and right sides of the motorbike frame with gusset joint;

FIG. 4 is a left side elevation view of the motorbike frame with gusset joint;

FIG. 5 is a right side elevation view of the motorbike frame with gusset joint;

FIG. 6 is a front elevation view of the motorbike frame with gusset joint;

FIG. 7 is a rear elevation view of the motorbike frame with gusset joint;

FIG. 8 is a top plan view of the motorbike frame with gusset joint; and,

FIG. 9 is a bottom plan view of the motorbike frame with gusset joint.

The broken line showing portions of the motorbike frame with gusset joint are provided for the purpose of illustrating environmental structure and form no part of the claimed design.

(56) **References Cited**

U.S. PATENT DOCUMENTS

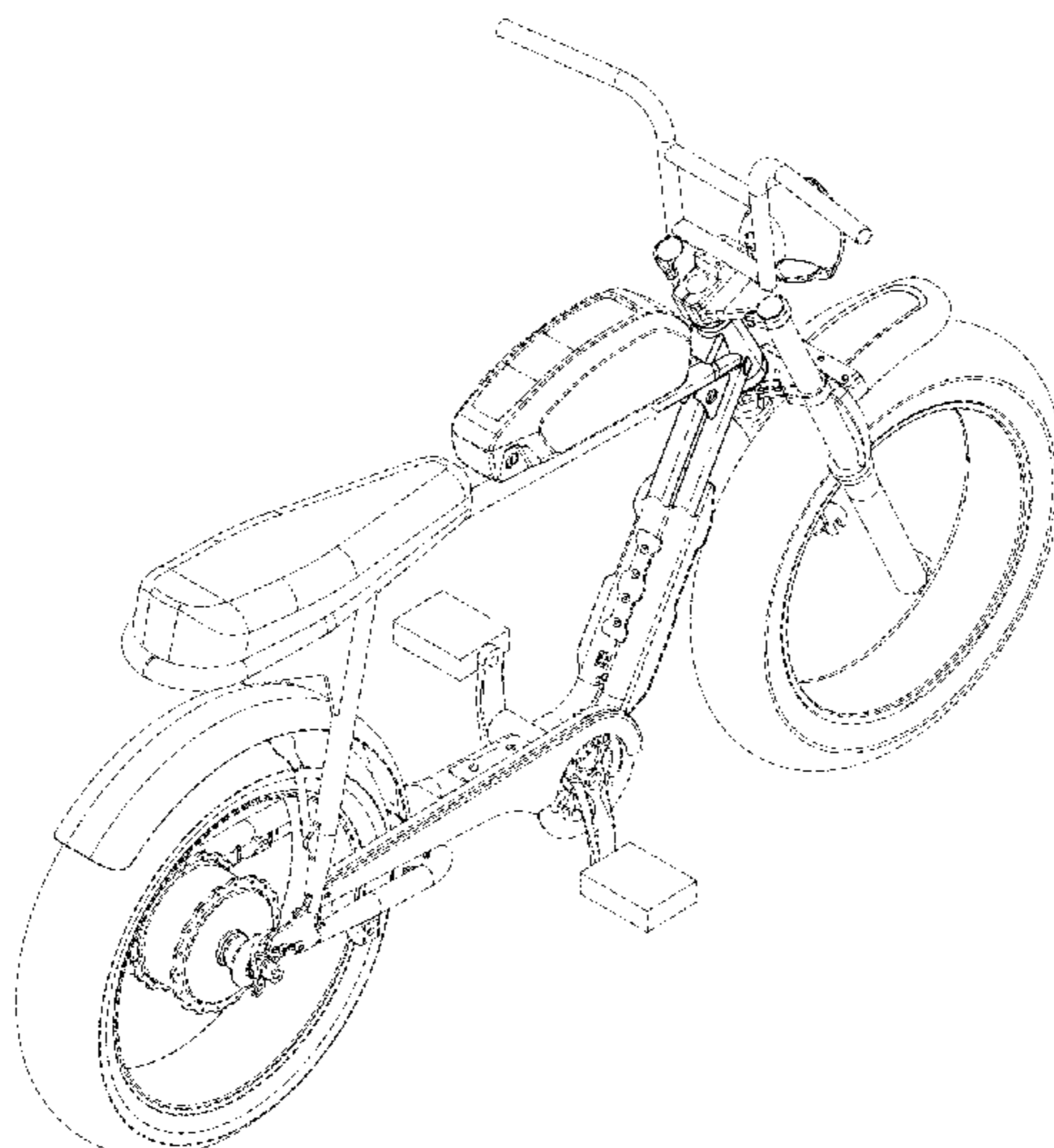
D365,048 S	*	12/1995	Fang	.....	D12/111
D421,937 S	*	3/2000	Huang	.....	D12/111
D453,714 S	*	2/2002	Alder	.....	D12/110
D498,440 S	*	11/2004	Tiyawatchalapong	.....	D12/114
D510,059 S	*	9/2005	Hickman	.....	D12/117
D527,991 S	*	9/2006	Chiang	.....	D12/118
D619,935 S	*	7/2010	Lee	.....	D12/111
D682,745 S	*	5/2013	Horne	.....	D12/111
D689,408 S	*	9/2013	Kim	.....	D12/111
D695,158 S	*	12/2013	Nosworthy	.....	D12/159

(Continued)

OTHER PUBLICATIONS

“Ranger Frame” BTR., posted date Oct. 16, 2016 [online], [retrieved on Jan. 25, 2021], Retrieved from the Internet <URL: https://www.

**1 Claim, 5 Drawing Sheets**



(56)

**References Cited**

## U.S. PATENT DOCUMENTS

D701,472 S	*	3/2014	Šoštarš	.....	D12/111
D719,880 S	*	12/2014	Juarez	.....	D12/111
D724,498 S	*	3/2015	Eagleman	.....	D12/111
D734,218 S	*	7/2015	D'Aluisio	.....	D12/111
D738,261 S	*	9/2015	Silva	.....	D12/111
D766,136 S	*	9/2016	Jankura	.....	D12/111
D776,014 S	*	1/2017	Silva	.....	D12/111
D783,460 S	*	4/2017	Beale	.....	D12/111
D785,509 S	*	5/2017	Juhlin	.....	D12/111
D797,610 S	*	9/2017	Jankura	.....	D12/111
D801,875 S	*	11/2017	Pfeiffer	.....	D12/111
D802,487 S	*	11/2017	Petrov	.....	D12/111
D852,679 S	*	7/2019	Deltour	.....	D12/114
D865,574 S	*	11/2019	Russell	.....	D12/111

## OTHER PUBLICATIONS

“Demo Ranger” BTR., posted date Jul. 25, 2016 [online], [retrieved on Jan. 25, 2021], Retrieved from the Internet <URL: <https://www.btr-fabrications.com/family/owners/fall-line-cycles-demo-ranger-094/>> (Year: 2016).\*

“BMX Tubing Terminology” BMX Union., posted date Aug. 26, 2015 [online], [retrieved on Jan. 25, 2021], Retrieved from the Internet <URL: <https://bmxunion.com/blog/what-is-bmx-tubing-terminology/>> (Year: 2015).\*

<https://moto-be.com/super73>, Aug. 2017.

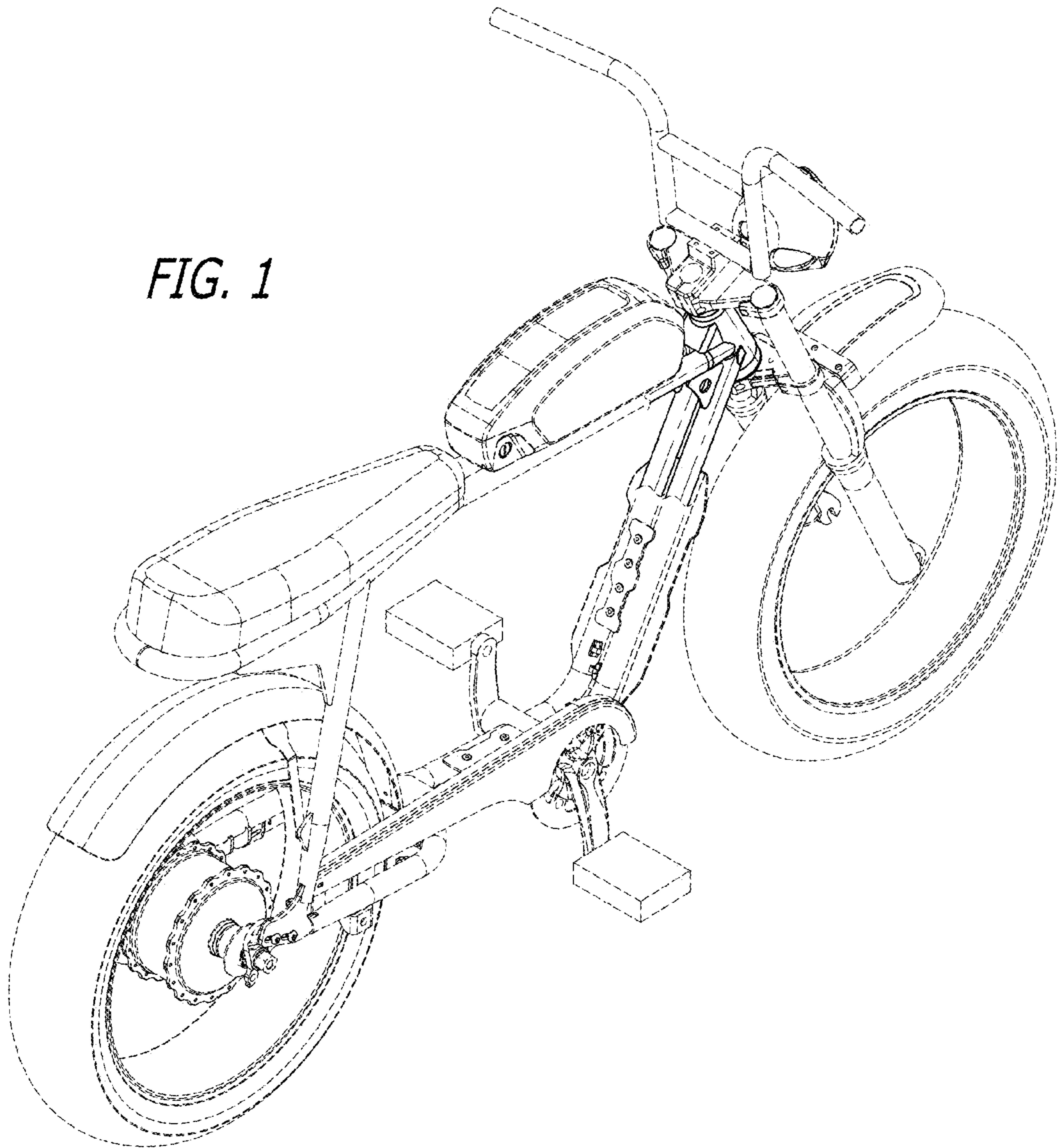
<https://super73.com/blogs/news/super-73-s1-rose-ave-starting-to-ship-out>, Jul. 2017.

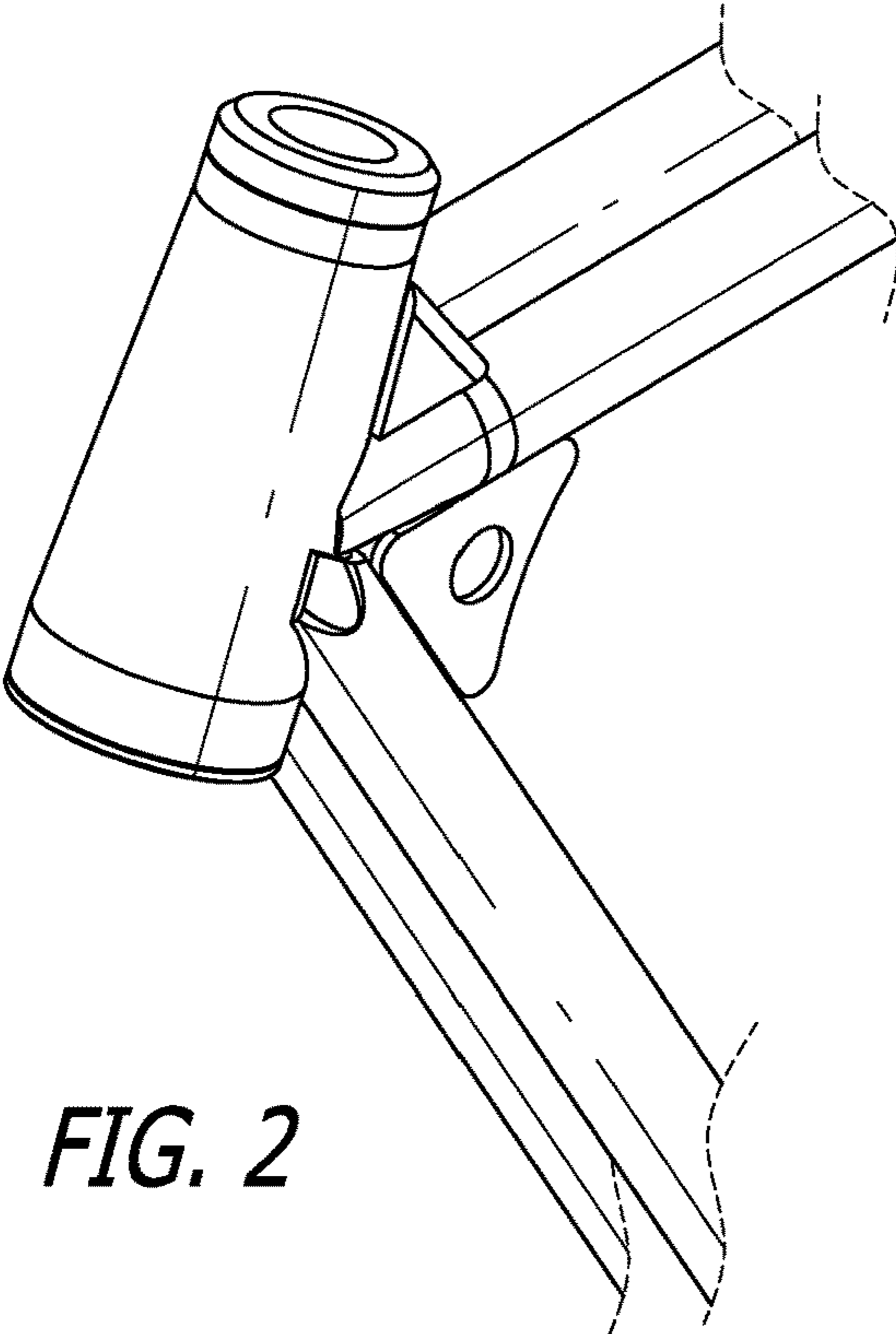
<https://super73.com/products/super73-s1-black>, Aug. 2017.

<https://electricmotorcycles.news/the-super-73-scout/>, Aug. 2017.

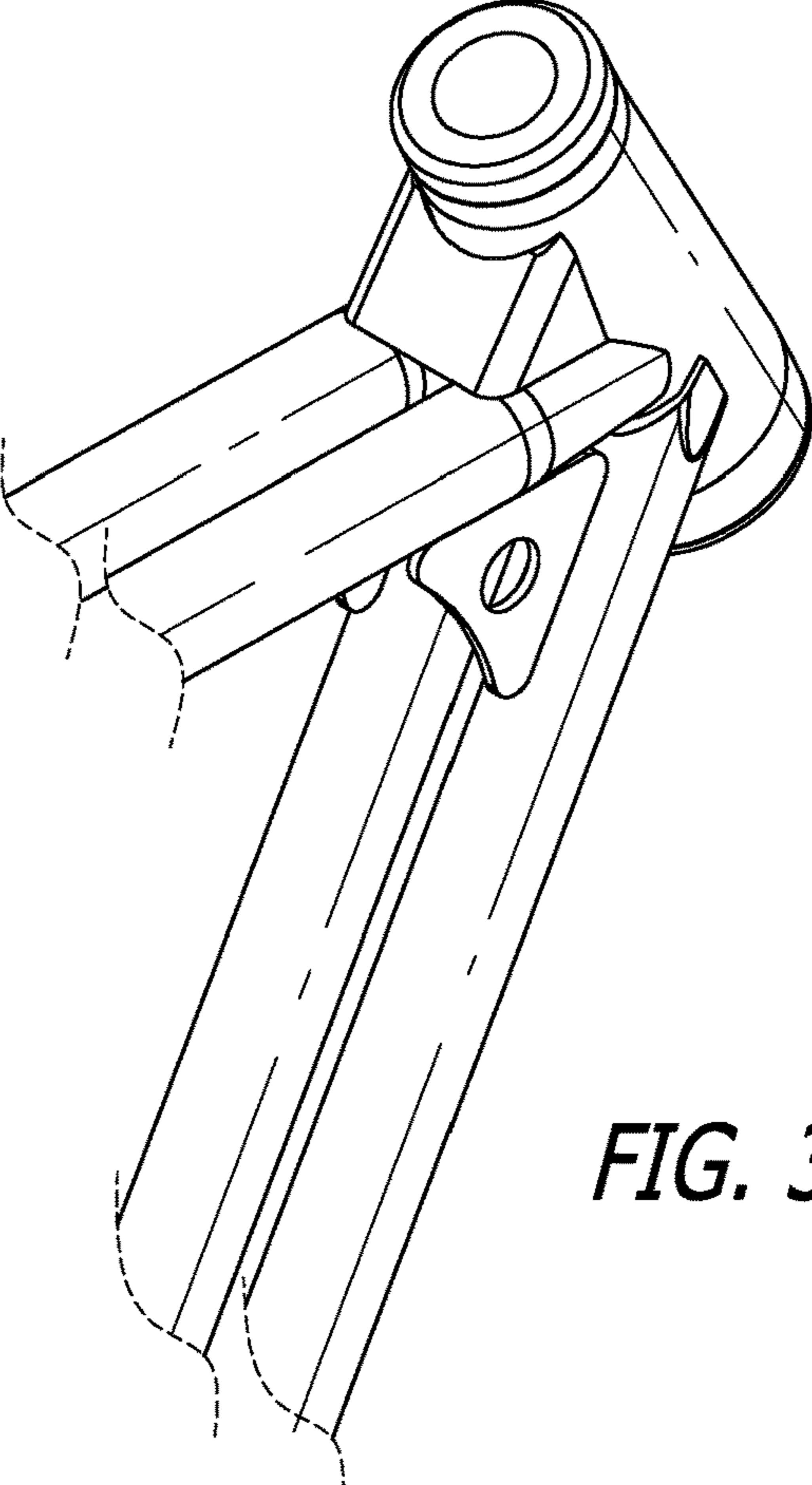
\* cited by examiner

*FIG. 1*

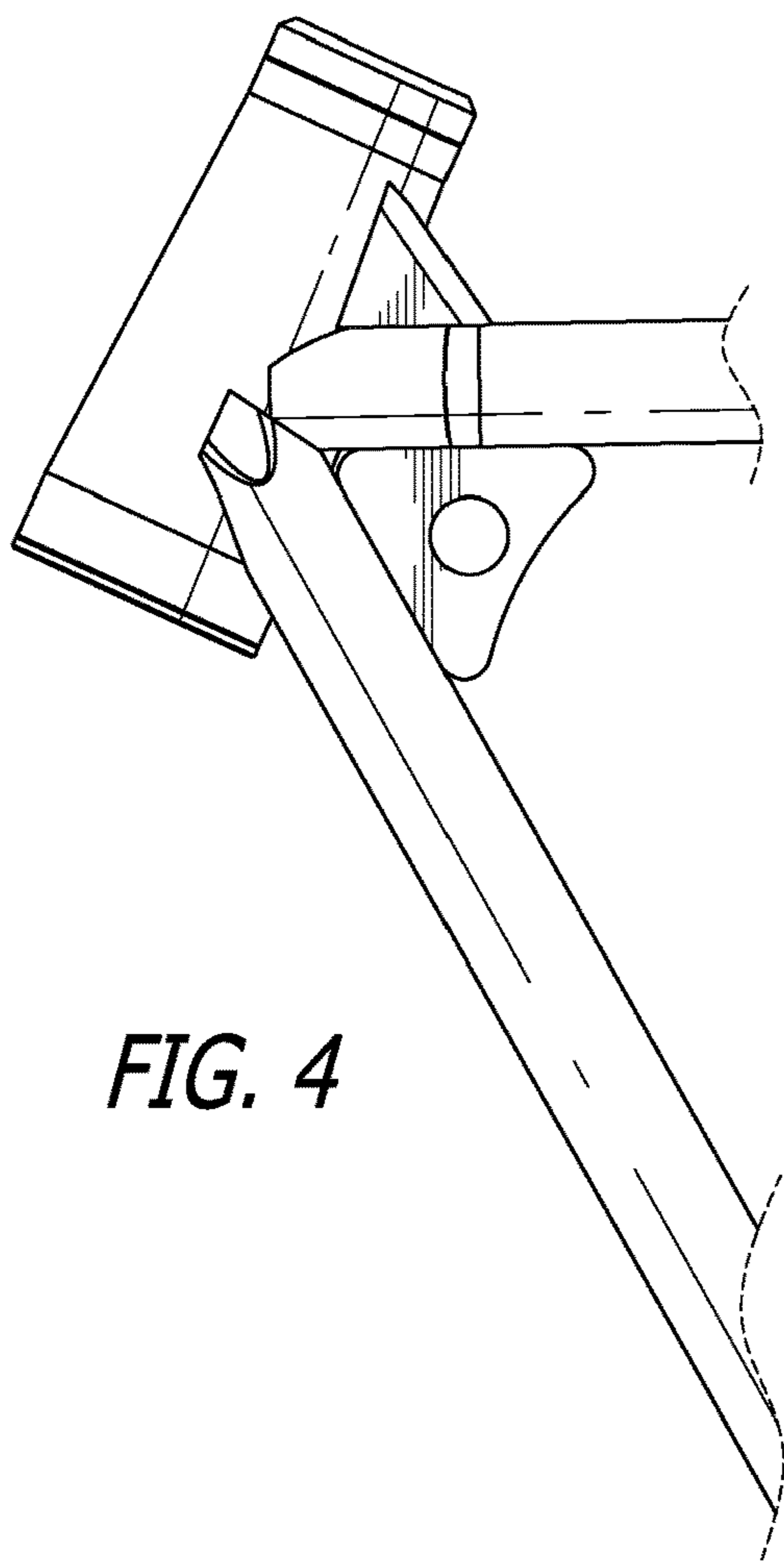




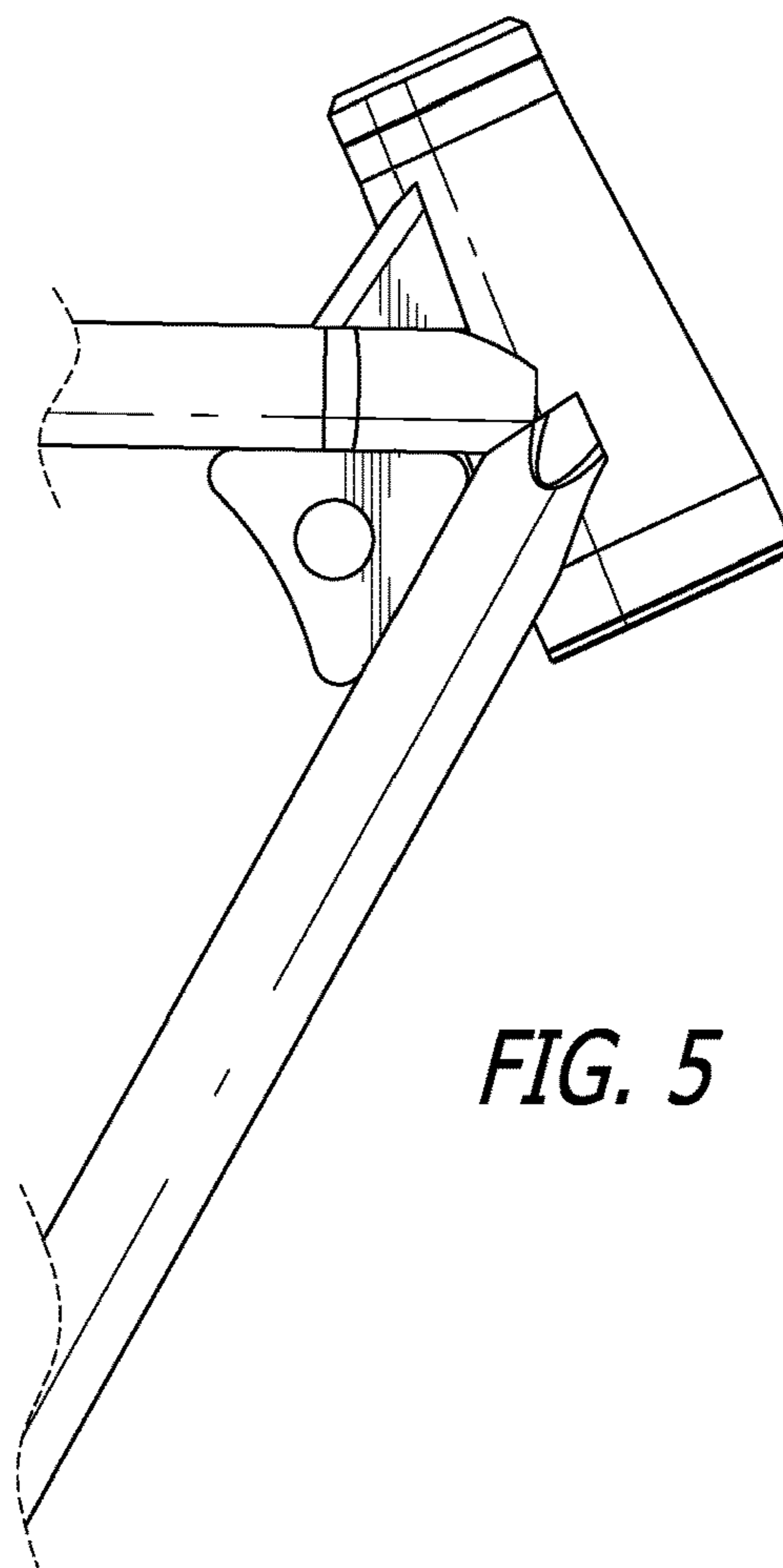
*FIG. 2*



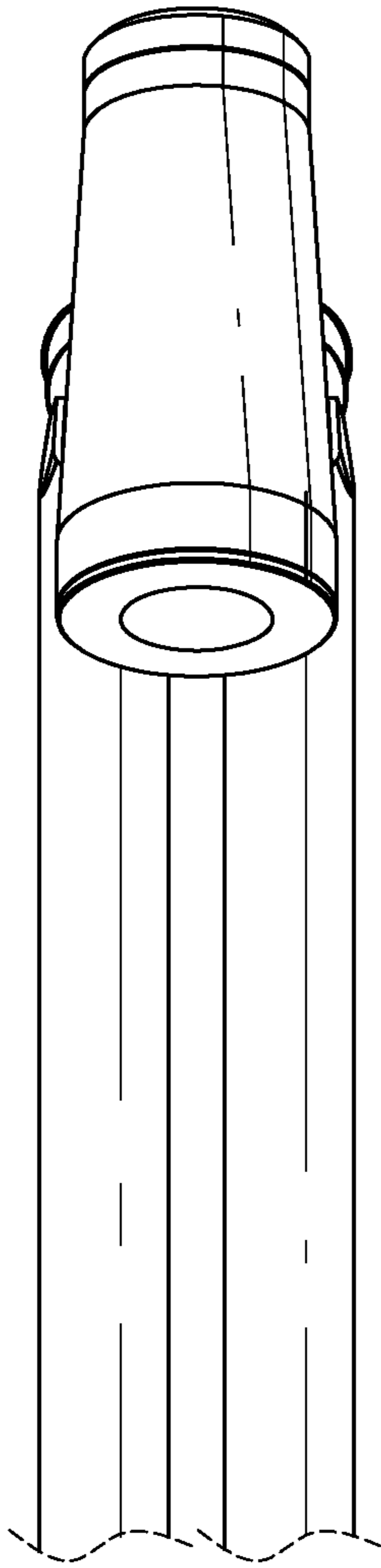
*FIG. 3*



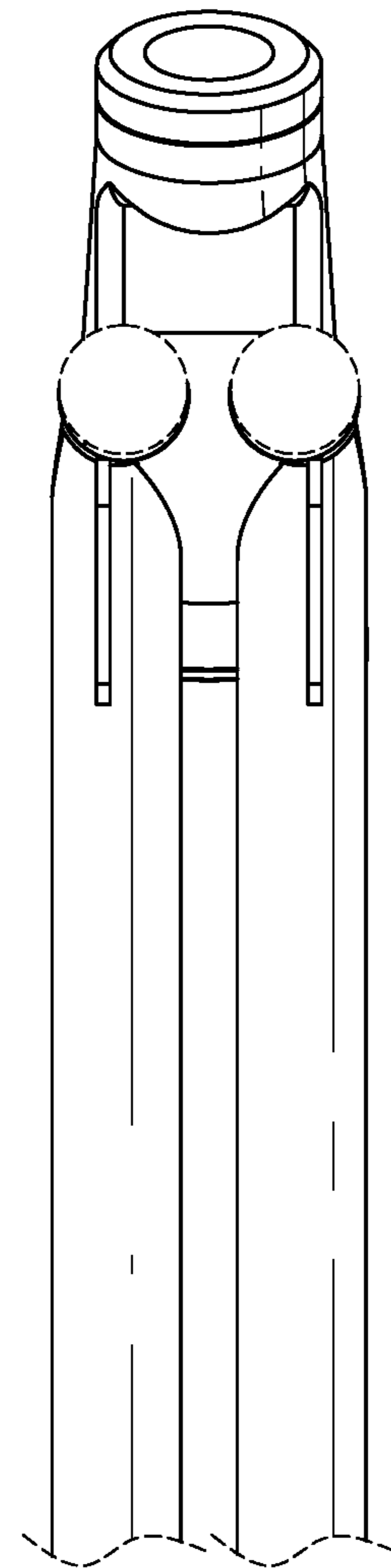
*FIG. 4*



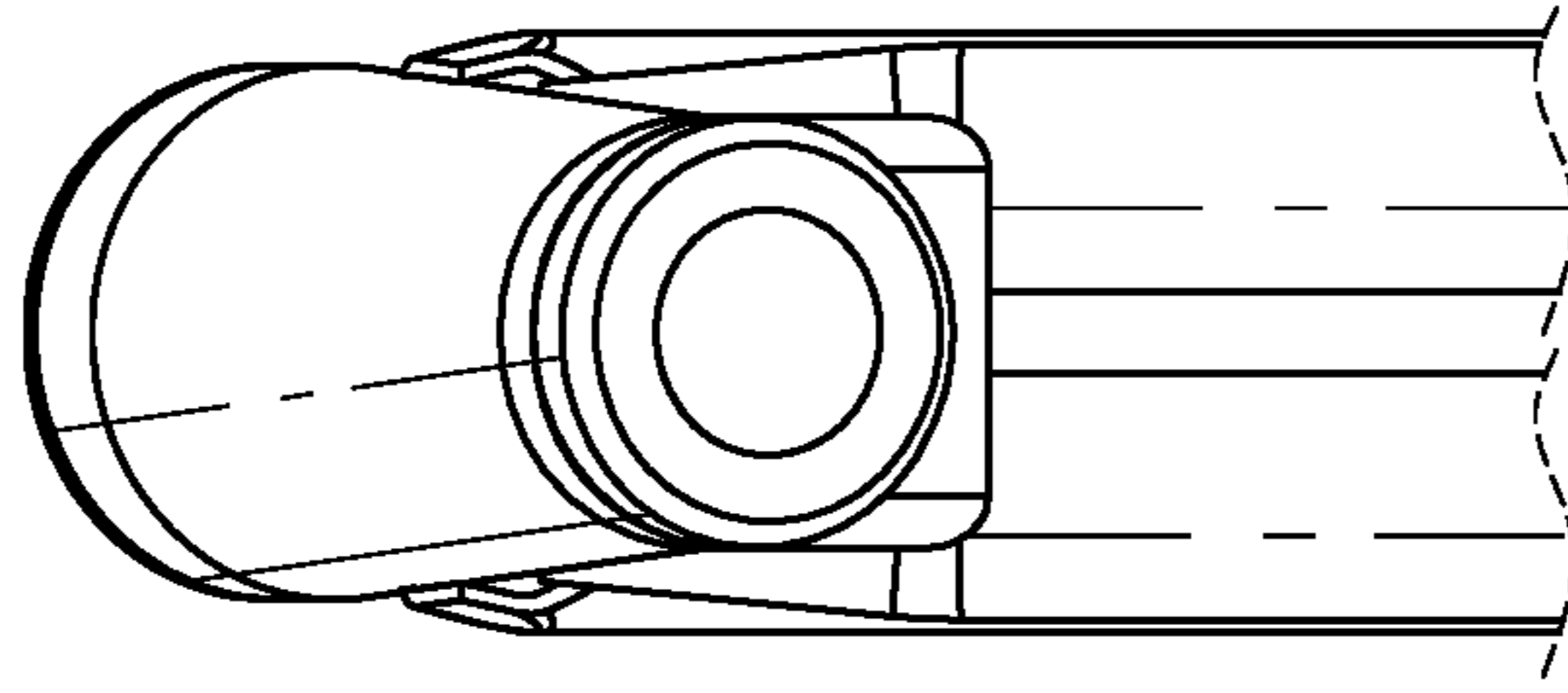
*FIG. 5*



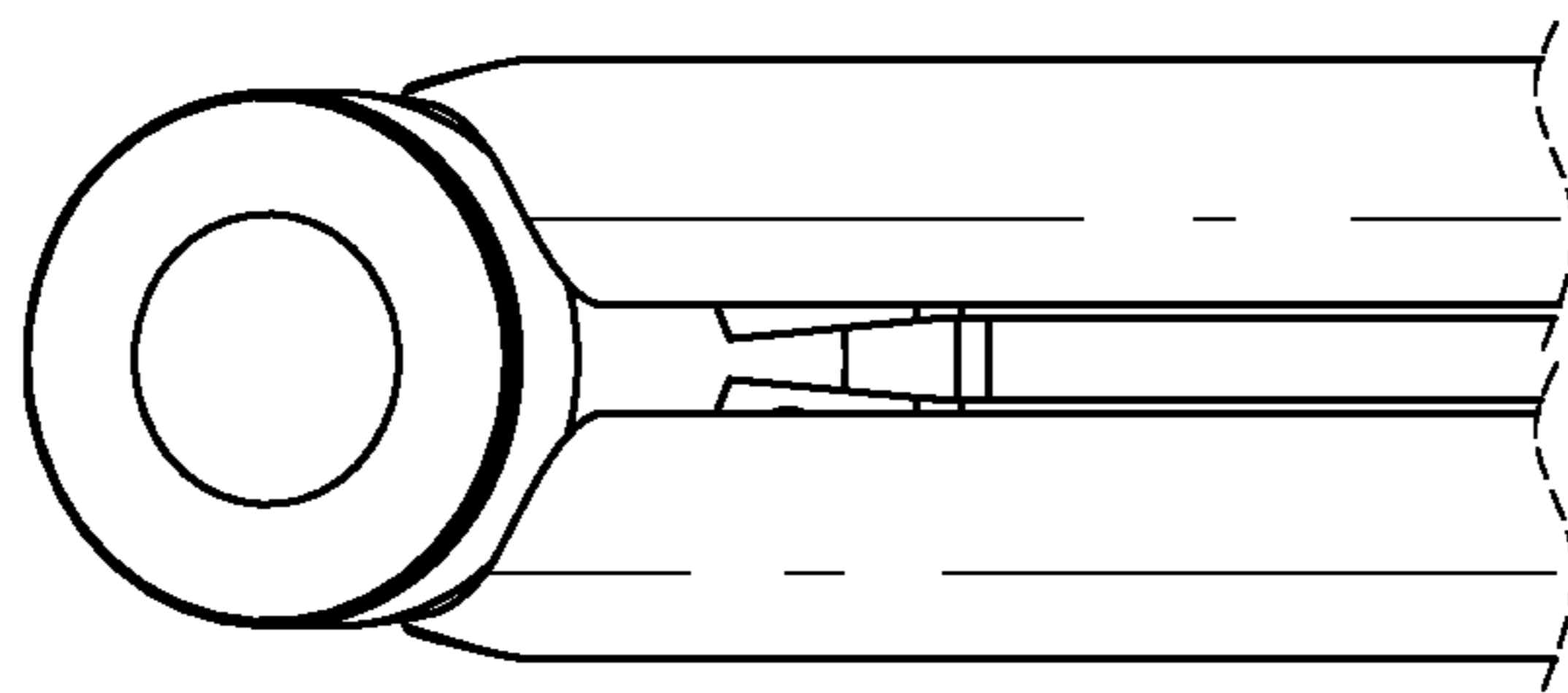
*FIG. 6*



*FIG. 7*



*FIG. 8*



*FIG. 9*