



US00D940599S

(12) **United States Design Patent**
Chambers et al.

(10) **Patent No.: US D940,599 S**
(45) **Date of Patent: ** Jan. 11, 2022**

- (54) **POWERED MOTORBIKE**
- (71) Applicant: **Super73, Inc.**, Irvine, CA (US)
- (72) Inventors: **Ian Chambers**, Irvine, CA (US);
Legrand Crewse, Irvine, CA (US)
- (73) Assignee: **Super73, Inc.**, Irvine, CA (US)
- (**) Term: **15 Years**
- (21) Appl. No.: **29/722,019**
- (22) Filed: **Jan. 24, 2020**
- (51) **LOC (13) Cl.** **12-11**
- (52) **U.S. Cl.**
USPC **D12/110; D12/111**
- (58) **Field of Classification Search**
USPC D12/110, 111, 114, 117; D21/432, 538
CPC B62K 11/00; B62K 11/02; B62K 11/04;
B62K 11/10; B62K 17/00; B62K 19/00;
B62K 2202/00
See application file for complete search history.

D920,848 S *	6/2021	Kuehne	D12/110
D920,854 S *	6/2021	Chambers	D12/118
D921,539 S *	6/2021	Chambers	D12/117
D921,541 S *	6/2021	Chambers	D12/118

FOREIGN PATENT DOCUMENTS

KR	301108444.0000	*	5/2021
KR	301108445.0000	*	5/2021

OTHER PUBLICATIONS

“Super73-RX” Super73., posted date Feb. 3, 2019 [online], [retrieved on Jul. 15, 2021]. Retrieved from the Internet <<https://super73.com/collections/r-series/products/super73-rx>> (Year: 2019).*

(Continued)

Primary Examiner — Darlington Ly
Assistant Examiner — Nasim Abdulaziz Ali
(74) *Attorney, Agent, or Firm* — Stradling Yocca Carlson & Rauth

(57) **CLAIM**

The ornamental design for a powered motorbike, as shown and described.

DESCRIPTION

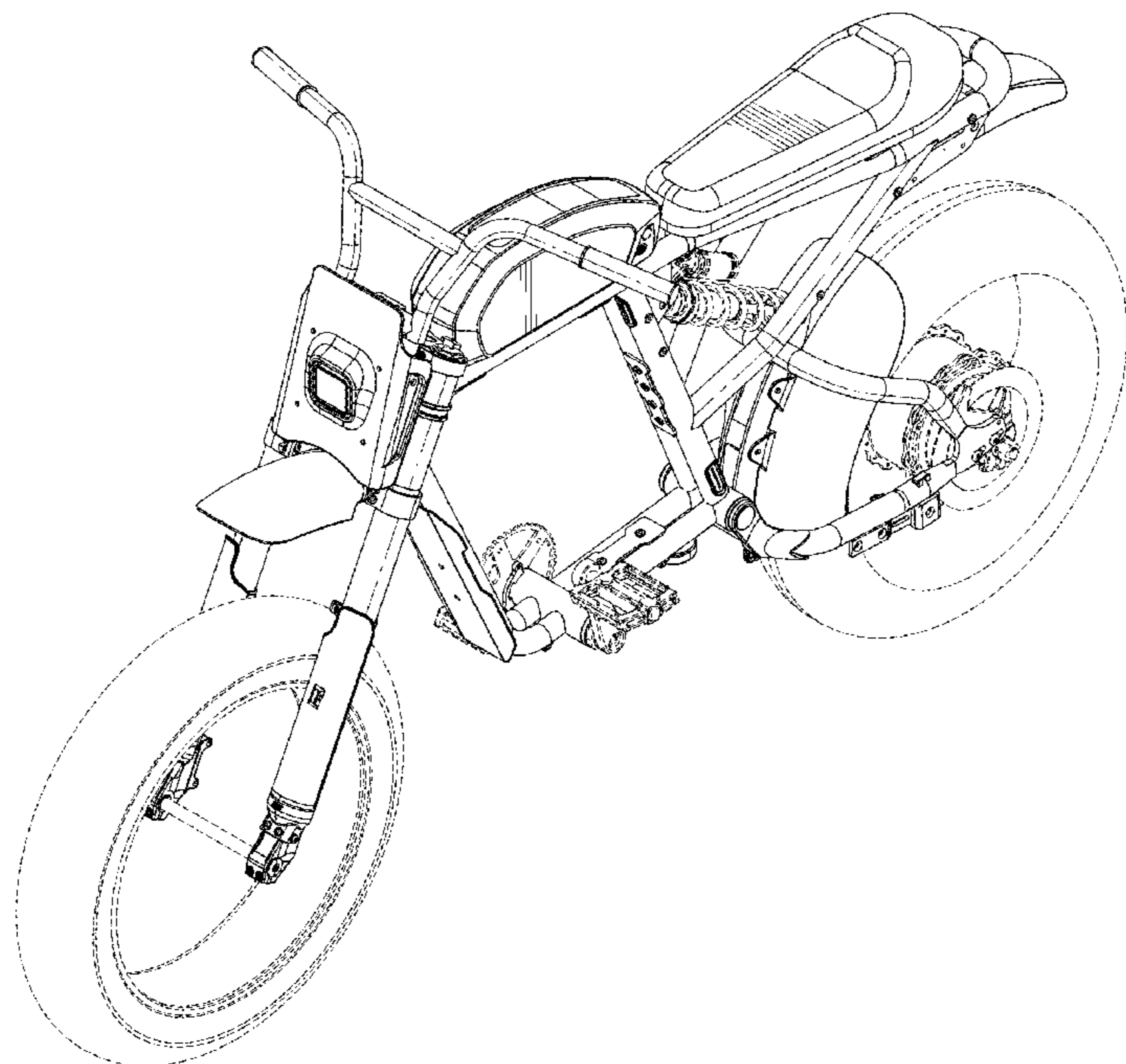
FIG. 1 is a top, front, and left side perspective view of a powered motorbike embodying our new design; FIG. 2 is a top, rear, and right side perspective view thereof; FIG. 3 is a left side elevation view thereof; FIG. 4 is a right side elevation view thereof; FIG. 5 is a front elevation view thereof; FIG. 6 is a rear elevation view thereof; FIG. 7 is a top plan view thereof; and, FIG. 8 is a bottom plan view thereof. The broken lines in the drawings illustrate portions of the powered motorbike that form no part of the claimed design.

1 Claim, 8 Drawing Sheets

(56) **References Cited**

U.S. PATENT DOCUMENTS

D281,615 S *	12/1985	Barbato	D12/110
D485,789 S *	1/2004	Lai	D12/111
D643,783 S *	8/2011	Thackery	D12/110
D645,791 S *	9/2011	Lee	D12/110
D650,724 S *	12/2011	Chiang	D12/111
D803,103 S *	11/2017	Clyde	D12/110
D815,991 S *	4/2018	Clyde	D12/110
D833,333 S *	11/2018	Yu	D12/111
D909,920 S *	2/2021	Zhu	D12/111
D910,496 S *	2/2021	Zhu	D12/111
D915,244 S *	4/2021	Chen	D12/111
D918,095 S *	5/2021	Chambers	D12/118



(56)

References Cited

OTHER PUBLICATIONS

“Super73-RX Super73 Electric Motorbikes” Super73., posted date Nov. 30, 2019 [online], [retrieved on Jul. 15, 2021]. Retrieved from the Internet <<https://ryddo.com/product/super73-rx/>> (Year: 2019).*

“Super73 RX Carmine Red” Super73., posted date Feb. 21, 2019 [online], [retrieved on Jul. 15, 2021]. Retrieved from the Internet <<https://www.voltes.nl/en/super73-rx-carmine-red.html>> (Year: 2019).*

* cited by examiner

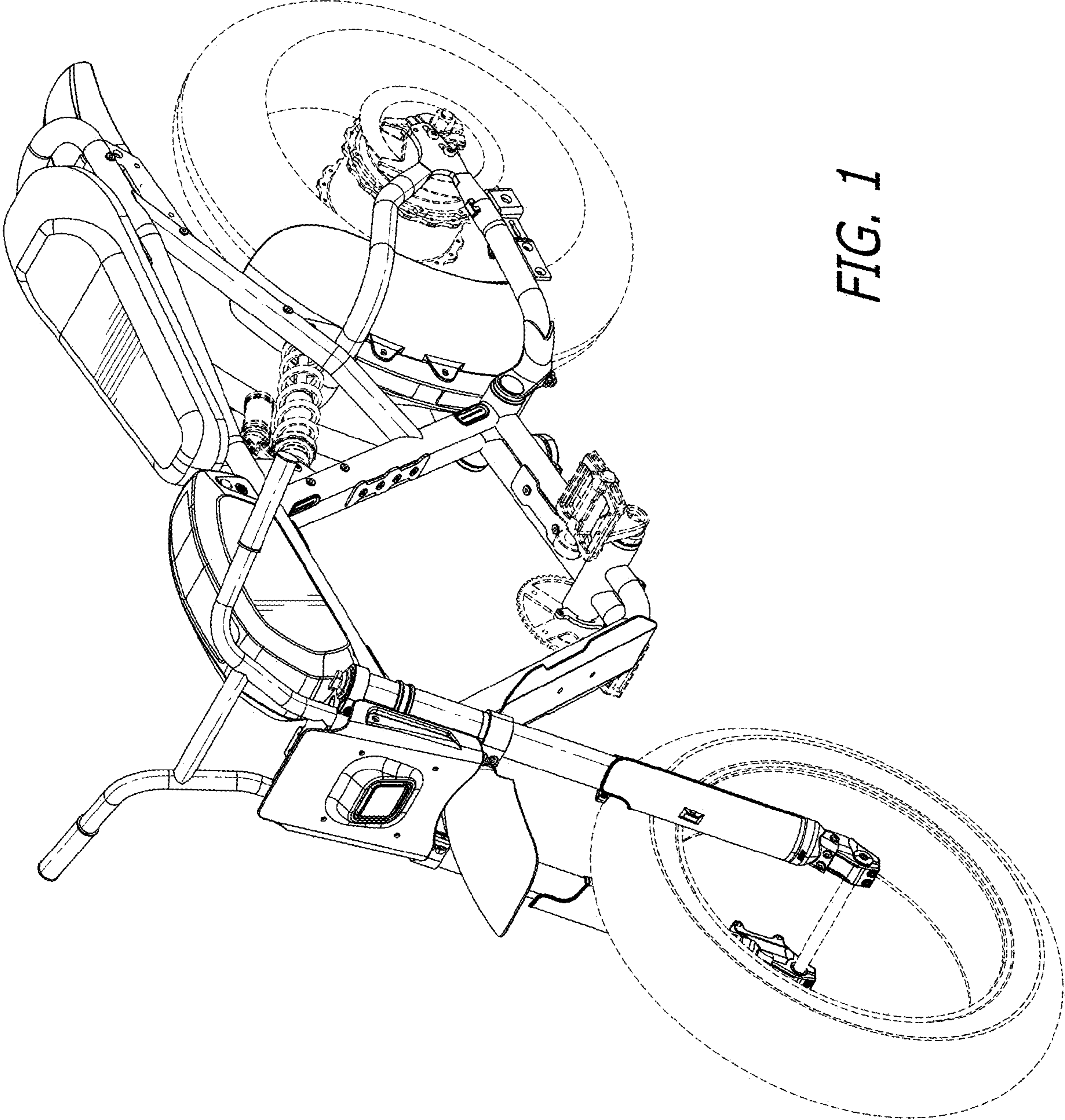


FIG. 1

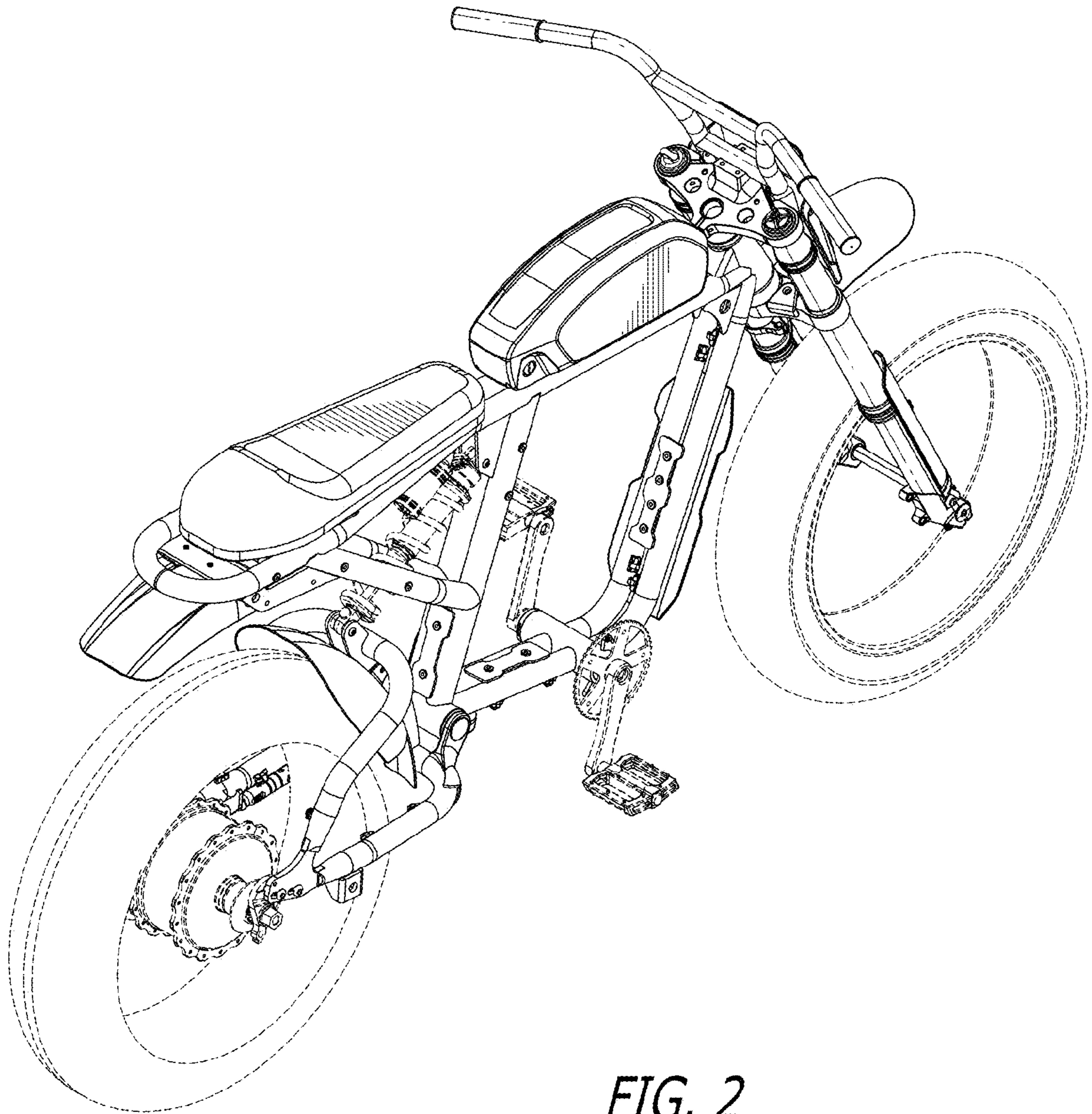


FIG. 2

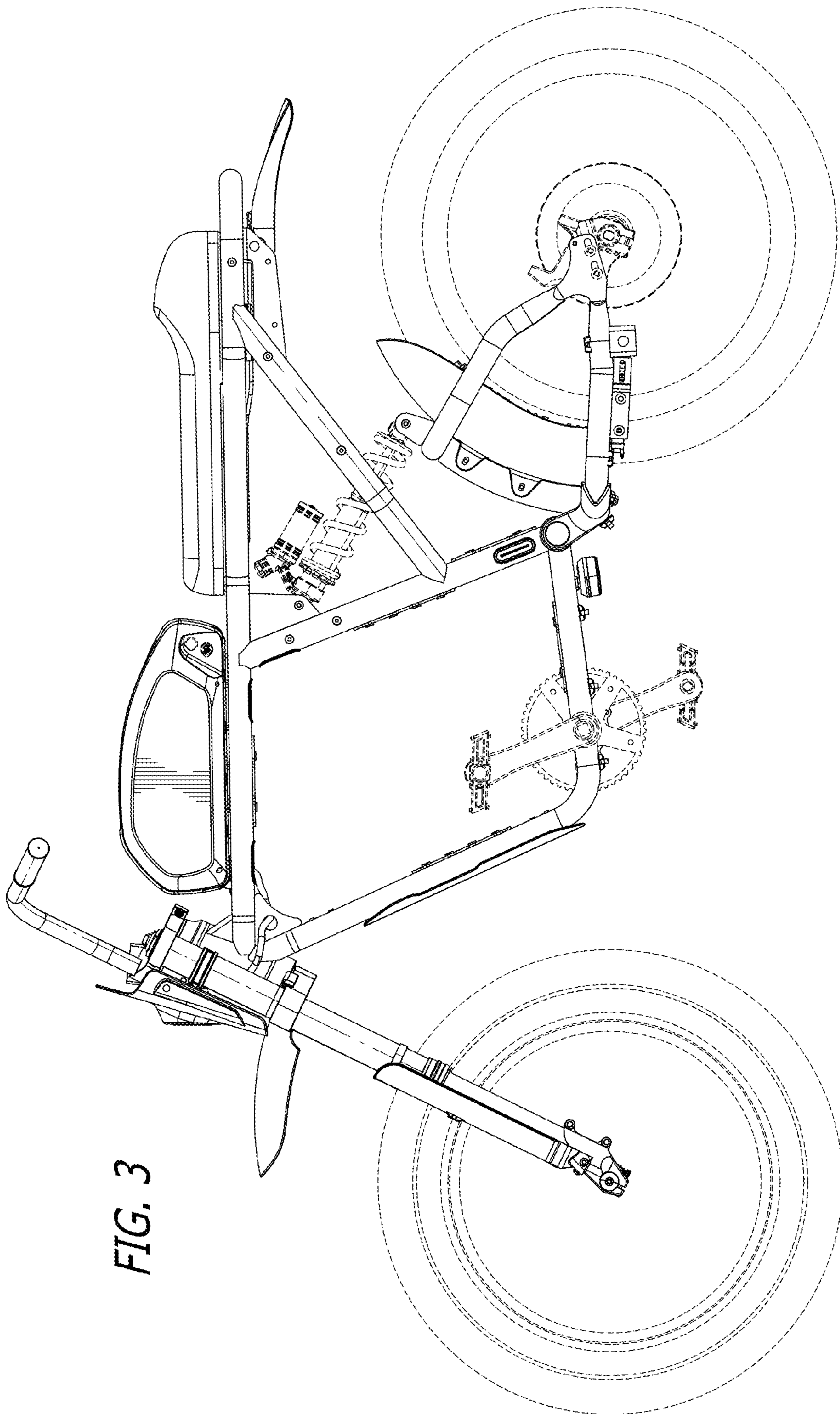
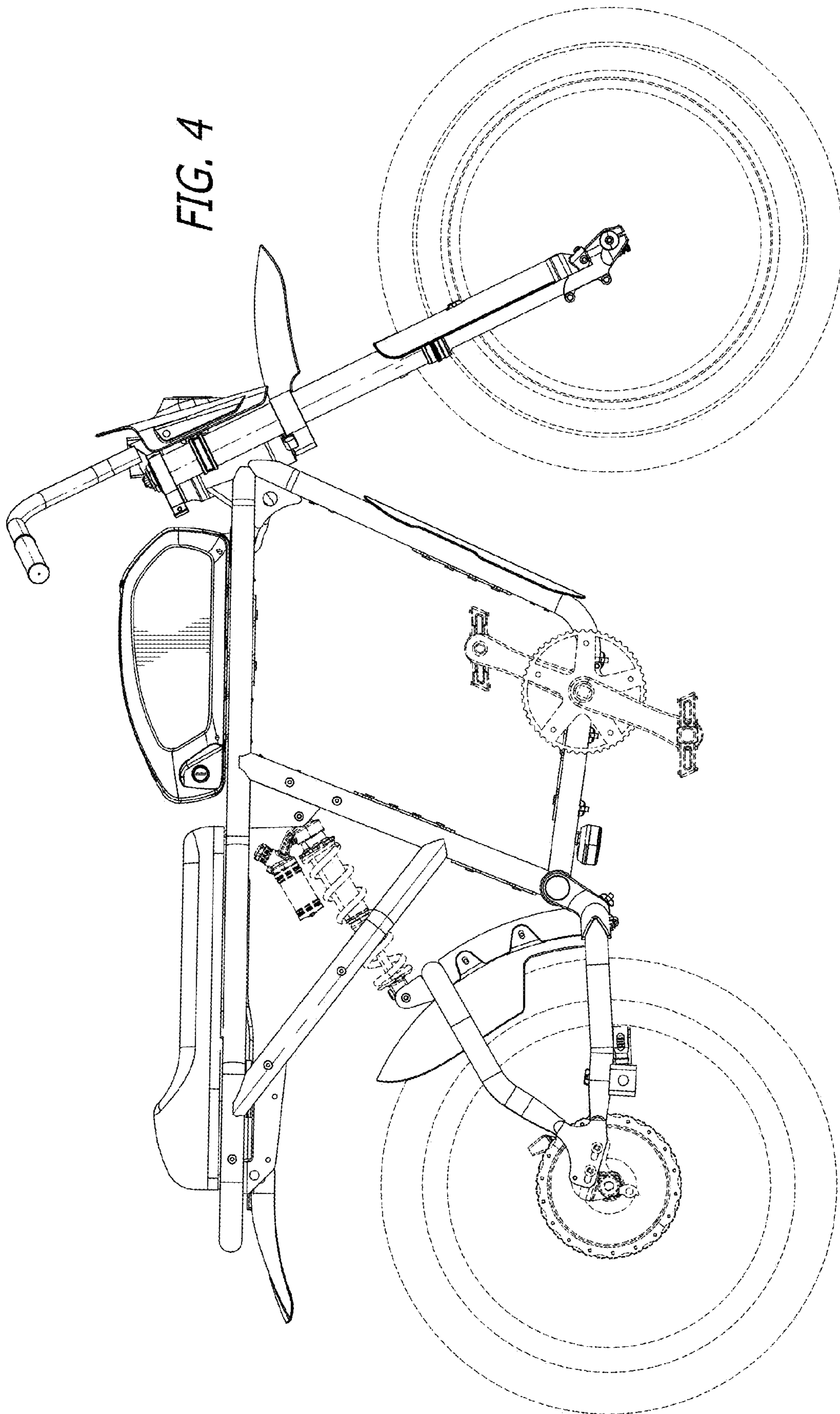


FIG. 3



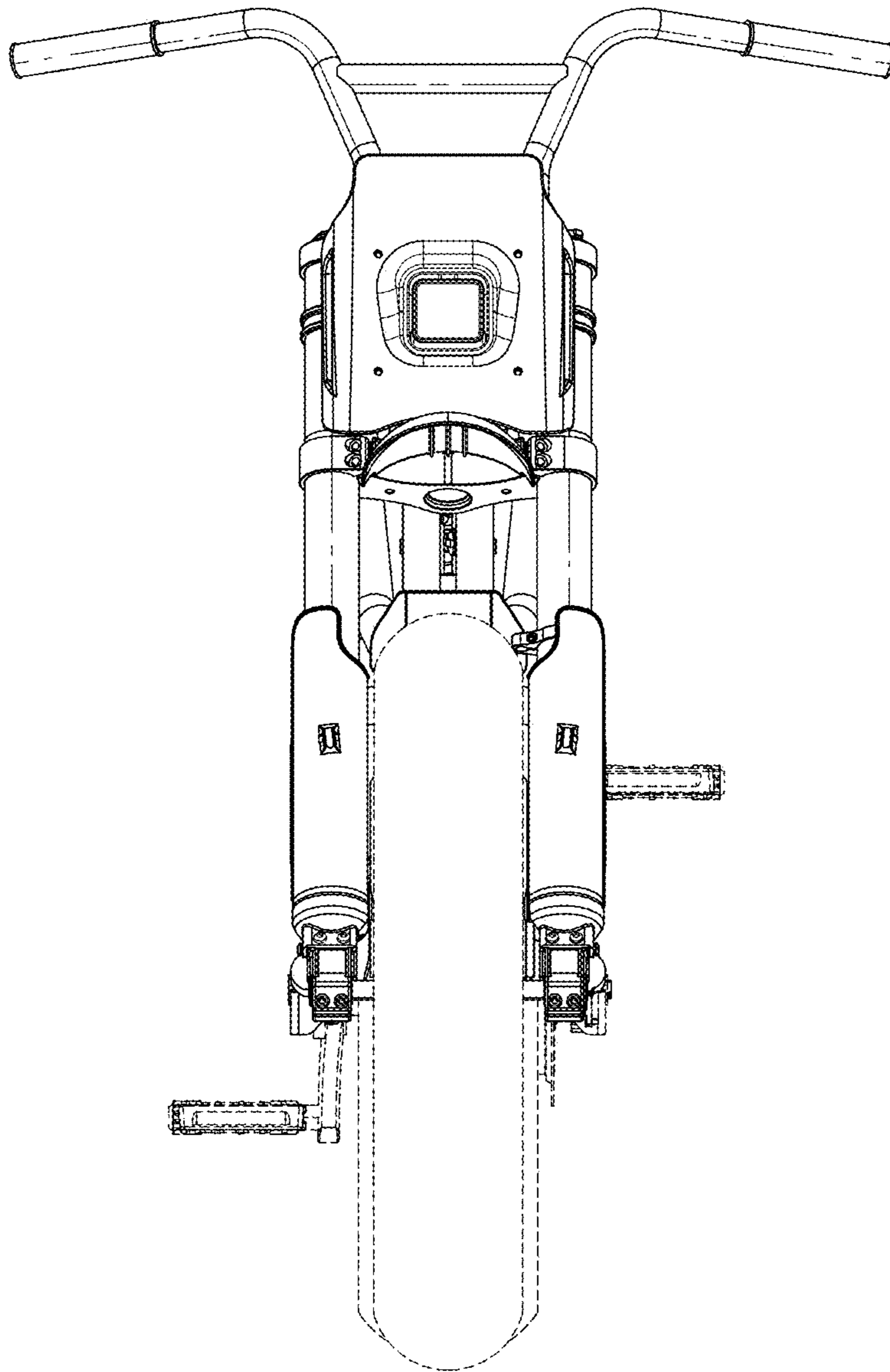


FIG. 5

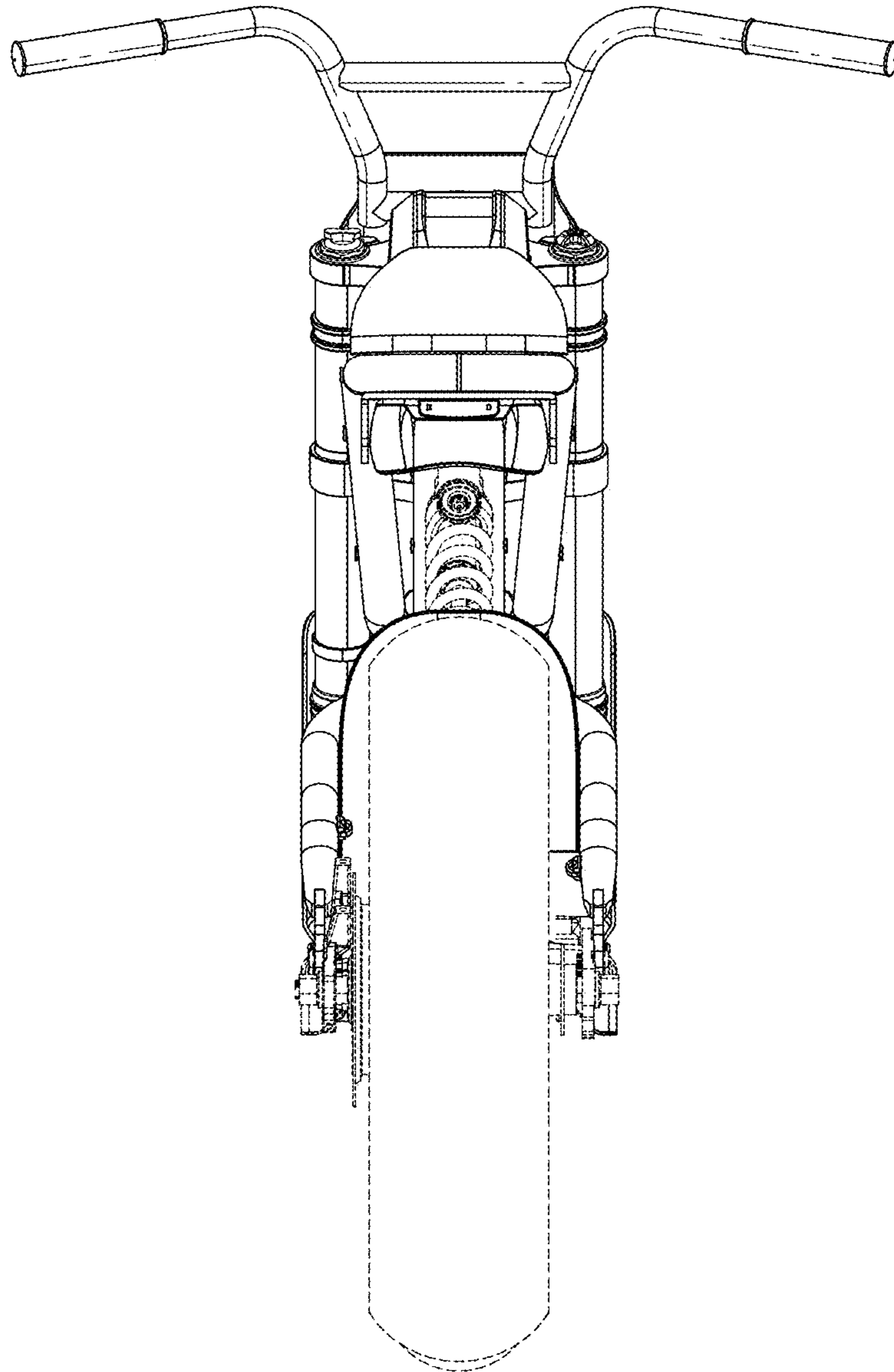


FIG. 6

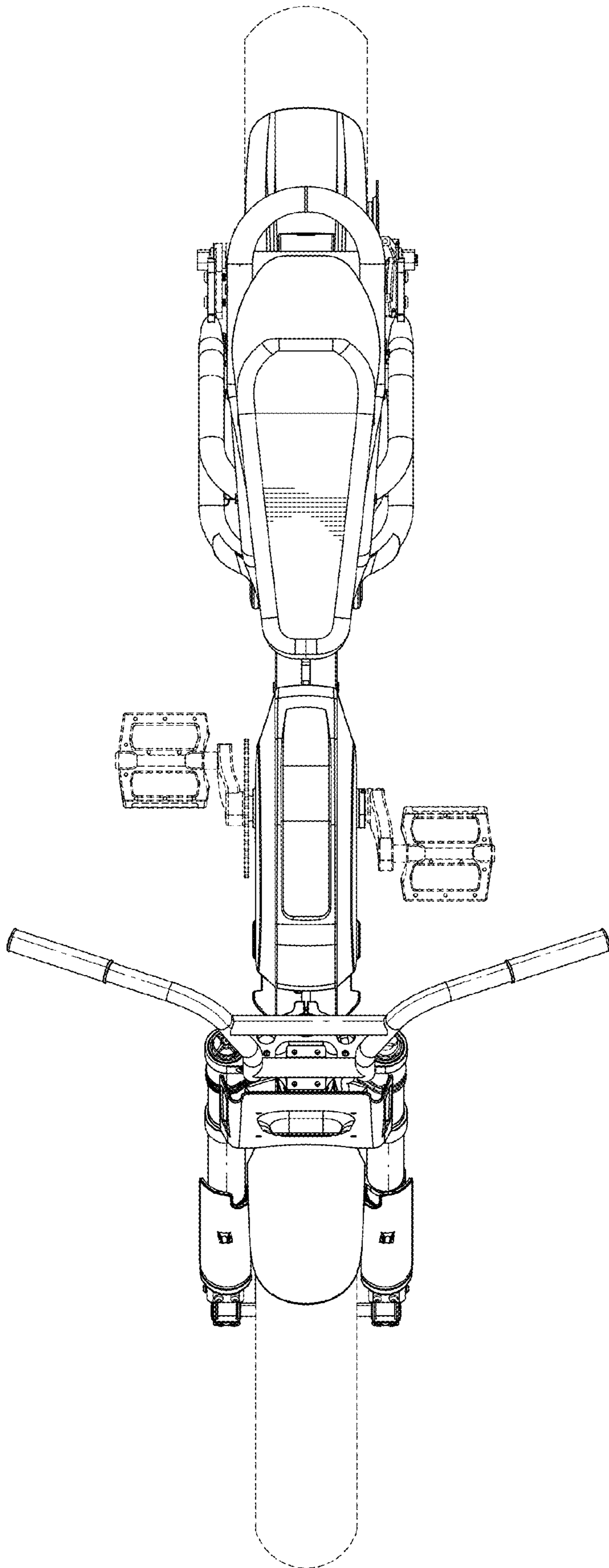


FIG. 7

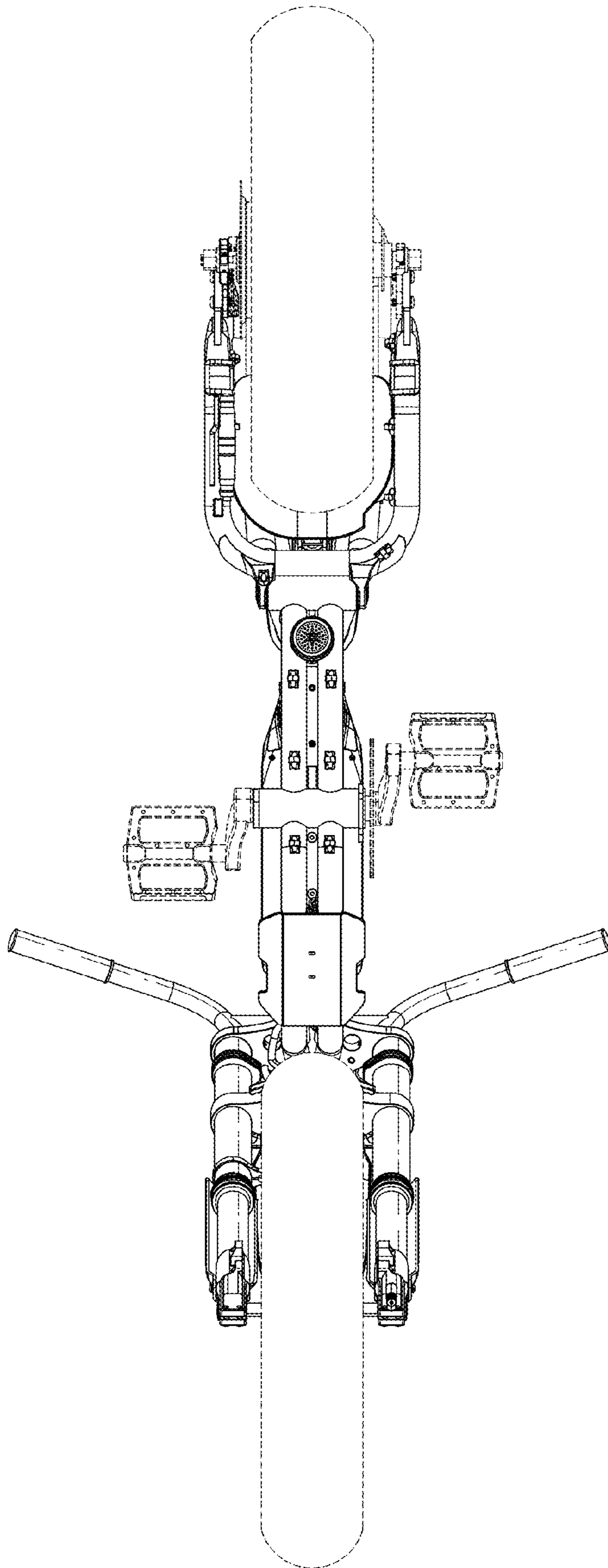


FIG. 8