



US00D940598S

(12) **United States Design Patent**
Schwartz

(10) **Patent No.:** **US D940,598 S**
(45) **Date of Patent:** **** Jan. 11, 2022**

(54) **TRAILER CORNER**

(71) Applicant: **The Aluminum Trailer Company,**
Nappanee, IN (US)

(72) Inventor: **Seth Schwartz,** Walkerton, IN (US)

(73) Assignee: **The Aluminum Trailer Company,**
Nappanee, IN (US)

(**) Term: **15 Years**

(21) Appl. No.: **29/701,773**

(22) Filed: **Aug. 14, 2019**

(51) **LOC (13) Cl.** **12-16**

(52) **U.S. Cl.**
USPC **D12/106**

(58) **Field of Classification Search**
USPC D12/19, 121, 100-106, 111-112;
D21/425, 435; D34/21-26, 12, 16-19
CPC .. B62D 35/00; B62D 33/077; B62D 33/0612;
B62D 24/04; B60P 3/10; B60P 3/1033;
B60P 3/0257; B60P 3/38; B60P 3/34;
E01F 15/14
See application file for complete search history.

3,404,444 A * 10/1968 Isbrandtsen B65D 90/0026
29/897

3,779,580 A * 12/1973 Thelen B60D 1/56
280/164.1

3,784,160 A * 1/1974 Phillips B60S 9/08
254/425

D269,420 S * 6/1983 McClure, Jr. D12/106

D291,017 S * 7/1987 Magness B62D 63/08
D12/106

D310,799 S * 9/1990 van der Merwe B62K 27/04
D12/106

2010/0270825 A1* 10/2010 Beshiri B60J 7/102
296/100.16

2011/0091271 A1* 4/2011 Damsi B62D 27/065
403/205

* cited by examiner

Primary Examiner — Katrina A Betton
(74) *Attorney, Agent, or Firm* — Woodard, Emhardt,
Henry, Reeves & Wagner, LLP

(57) **CLAIM**

The ornamental design for a trailer corner, as shown and described.

DESCRIPTION

FIG. 1 is a perspective of the trailer corner shown in the environment in which it is associated
FIG. 2 is a perspective view of the trailer corner.
FIG. 3 is a top view of the trailer corner.
FIG. 4 is a bottom view of the trailer corner.
FIG. 5 is an outside view of the trailer corner.
FIG. 6 is an inside view of the trailer corner.
FIG. 7 is a rear view of the trailer corner; and,
FIG. 8 is a front view of the trailer corner.
The environment shown in broken lines is for the purpose of illustration and forms no part of the claimed design.

1 Claim, 4 Drawing Sheets

(56) **References Cited**
U.S. PATENT DOCUMENTS

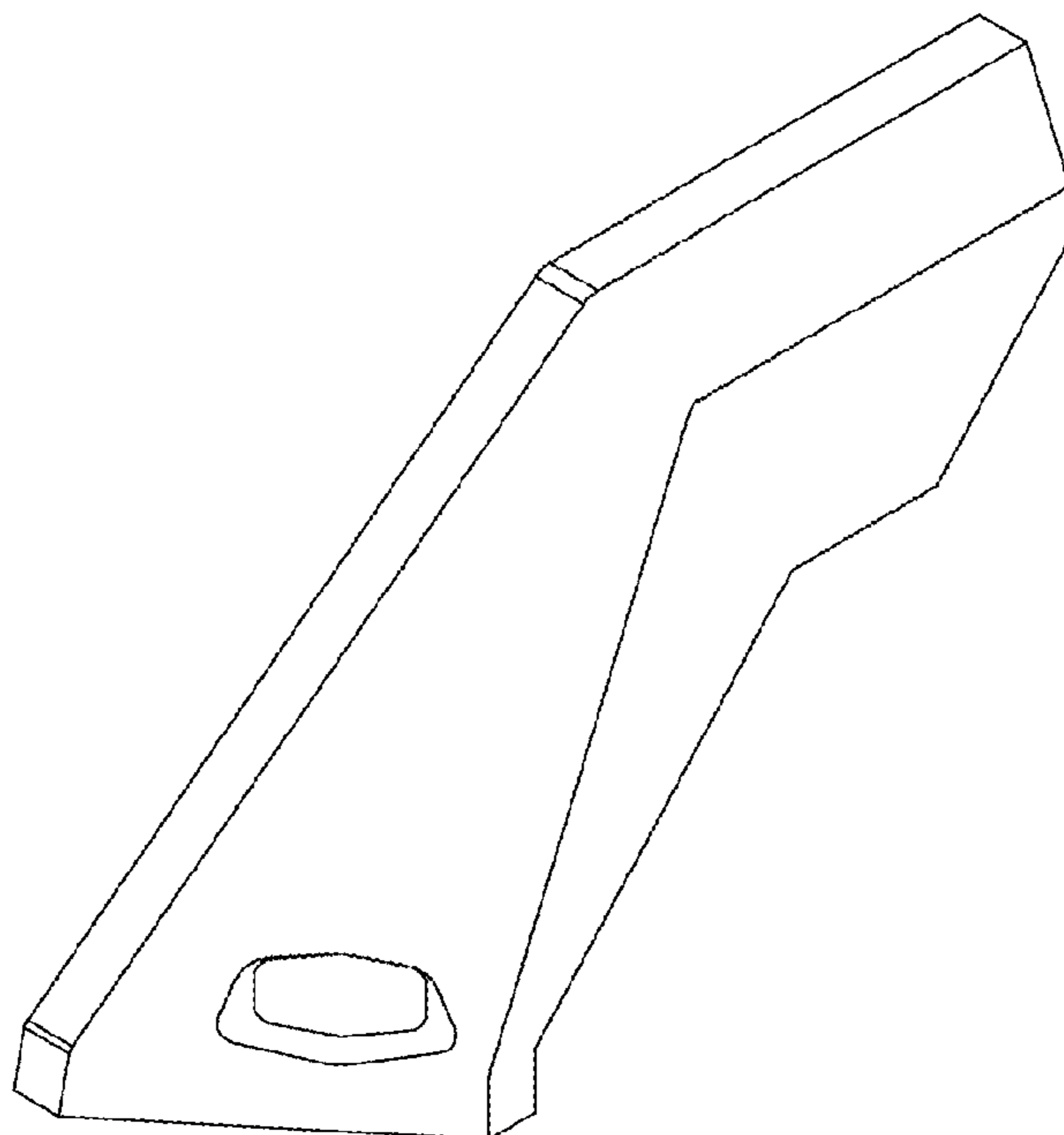
2,346,630 A * 4/1944 Wagner B60R 13/04
52/288.1

2,793,068 A * 5/1957 Tenenbaum B62D 53/06
296/186.3

D187,785 S * 5/1960 Zimmer D12/106

3,128,117 A * 4/1964 Abolins B65D 90/0033
294/68.3

3,363,803 A * 1/1968 Abolins B65D 90/0026
410/82



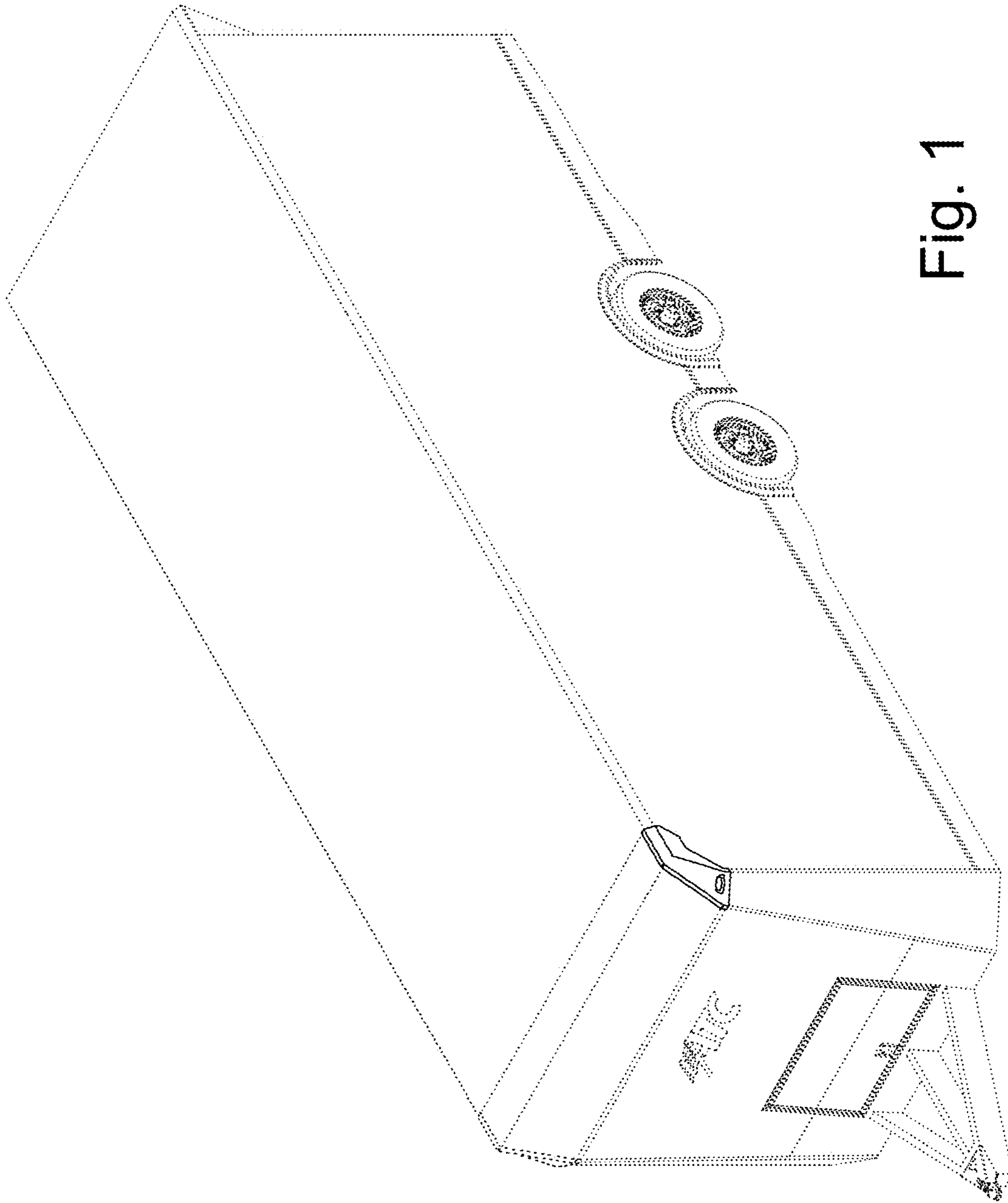


Fig. 1

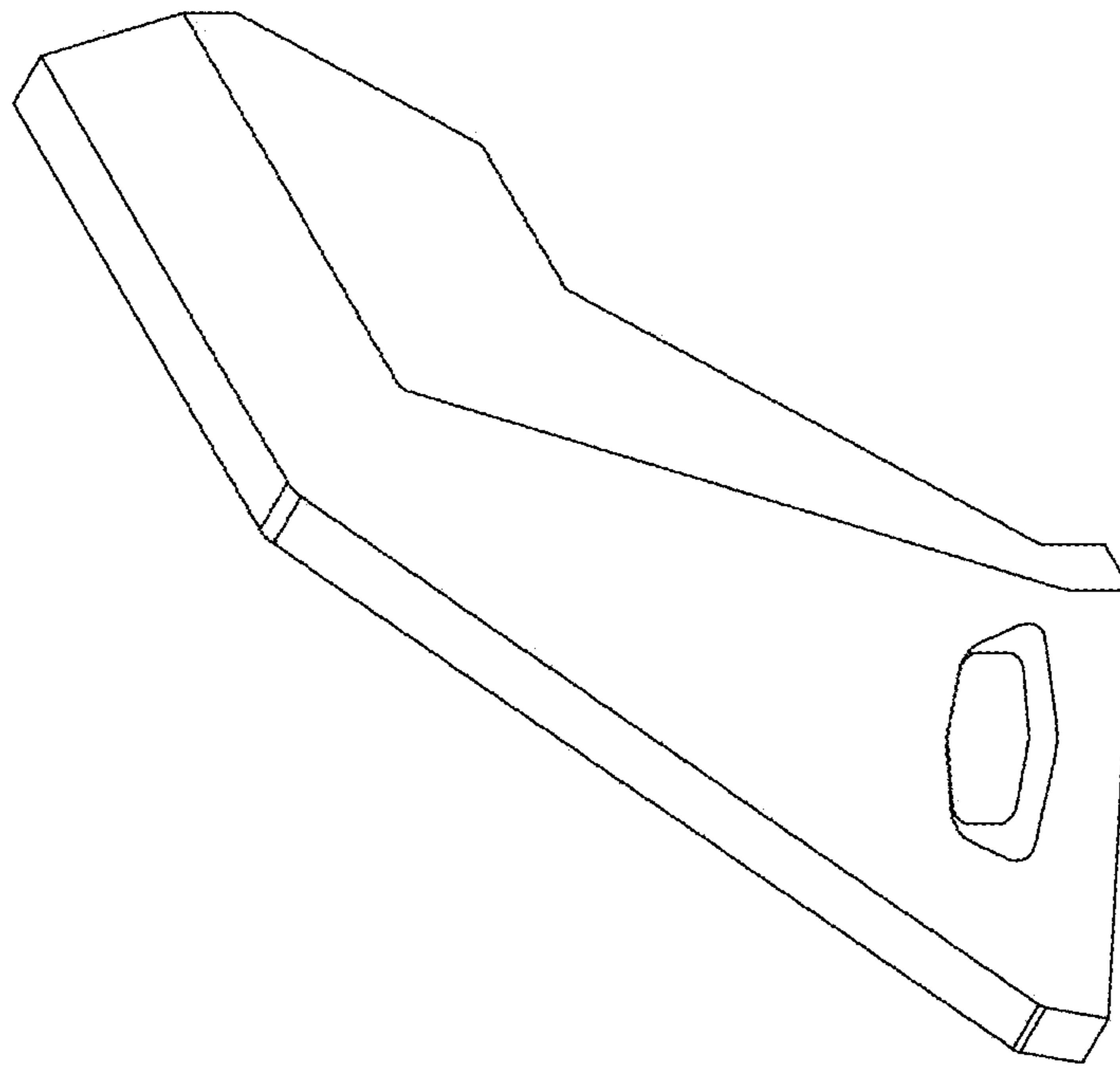


Fig. 2

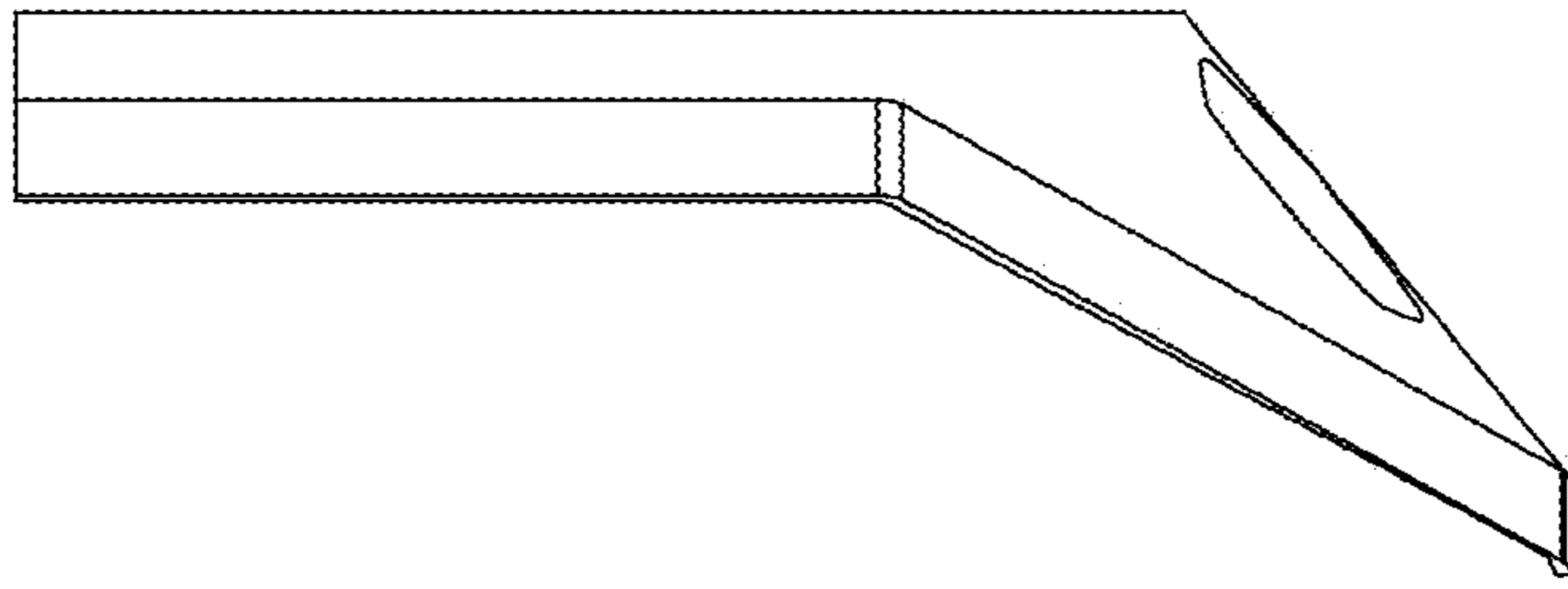


Fig. 3

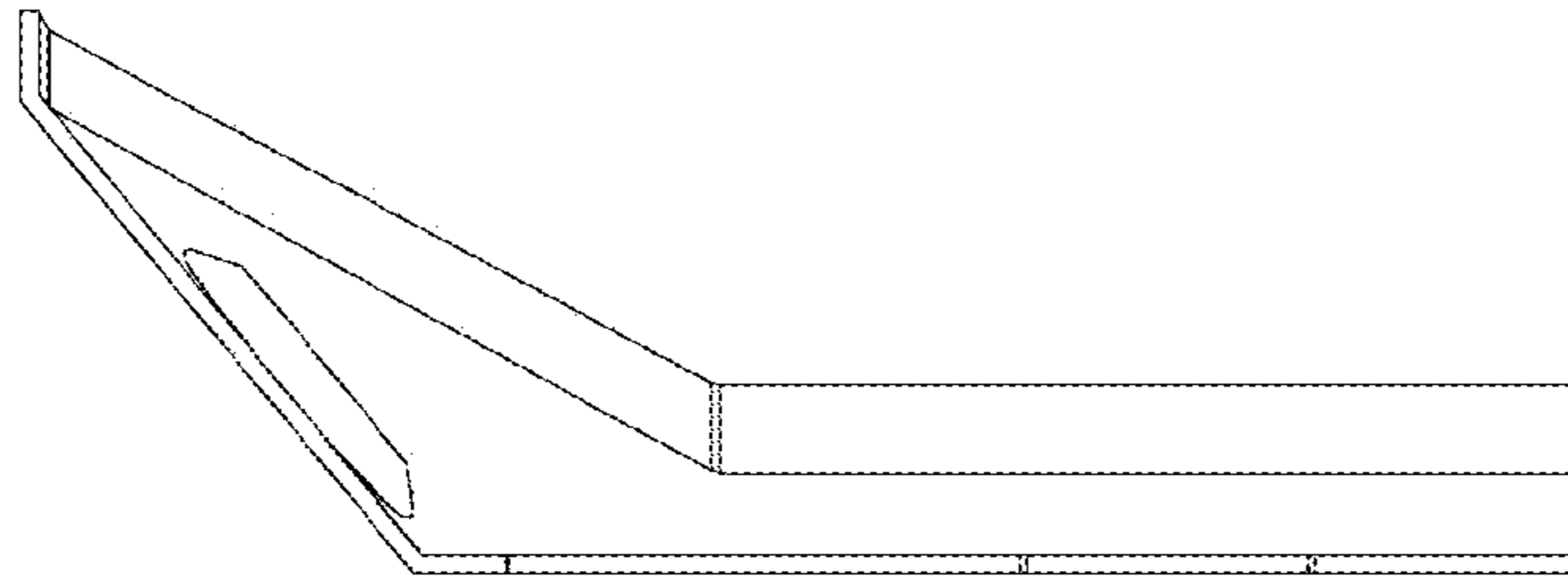


Fig. 4

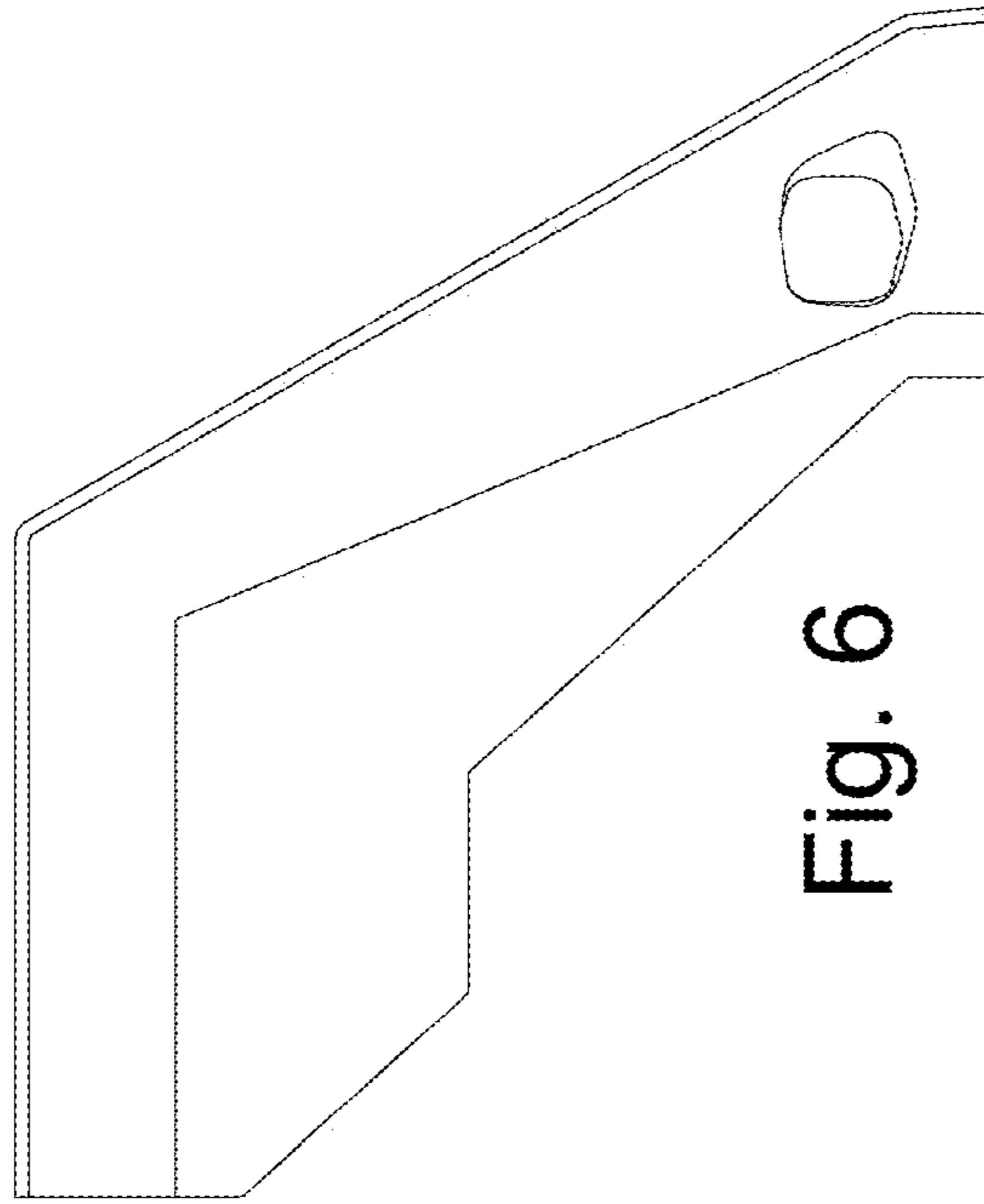


Fig. 6

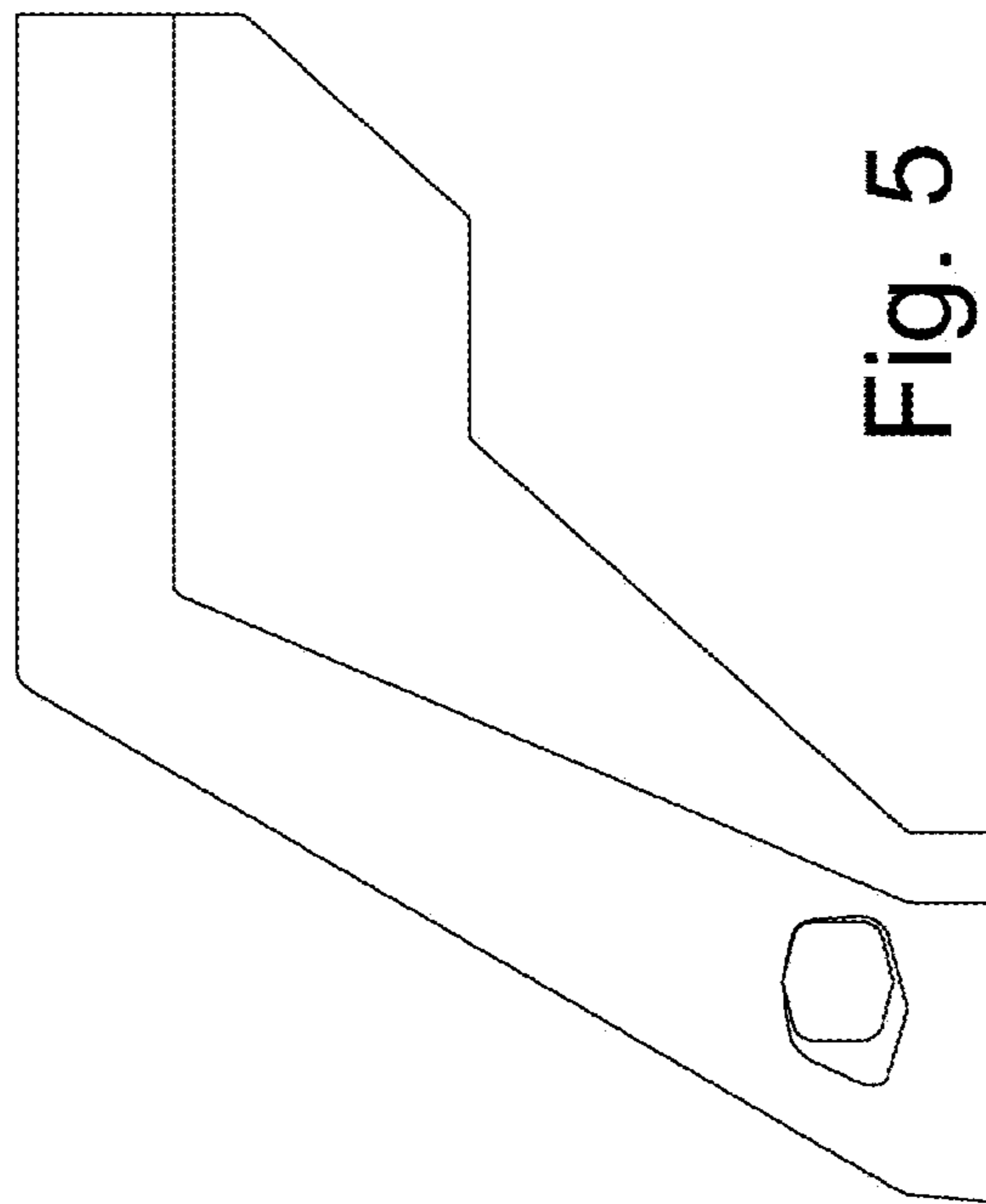


Fig. 5

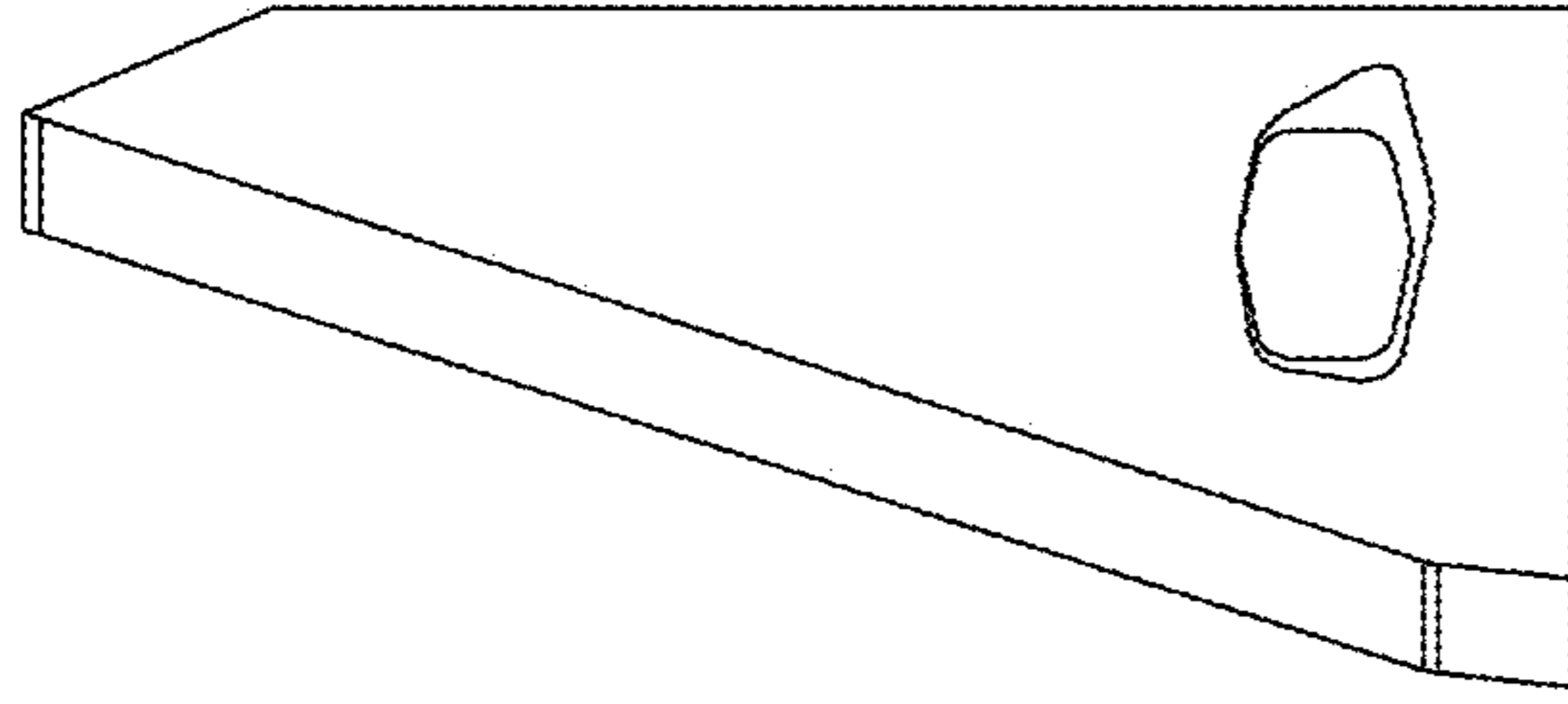


Fig. 8

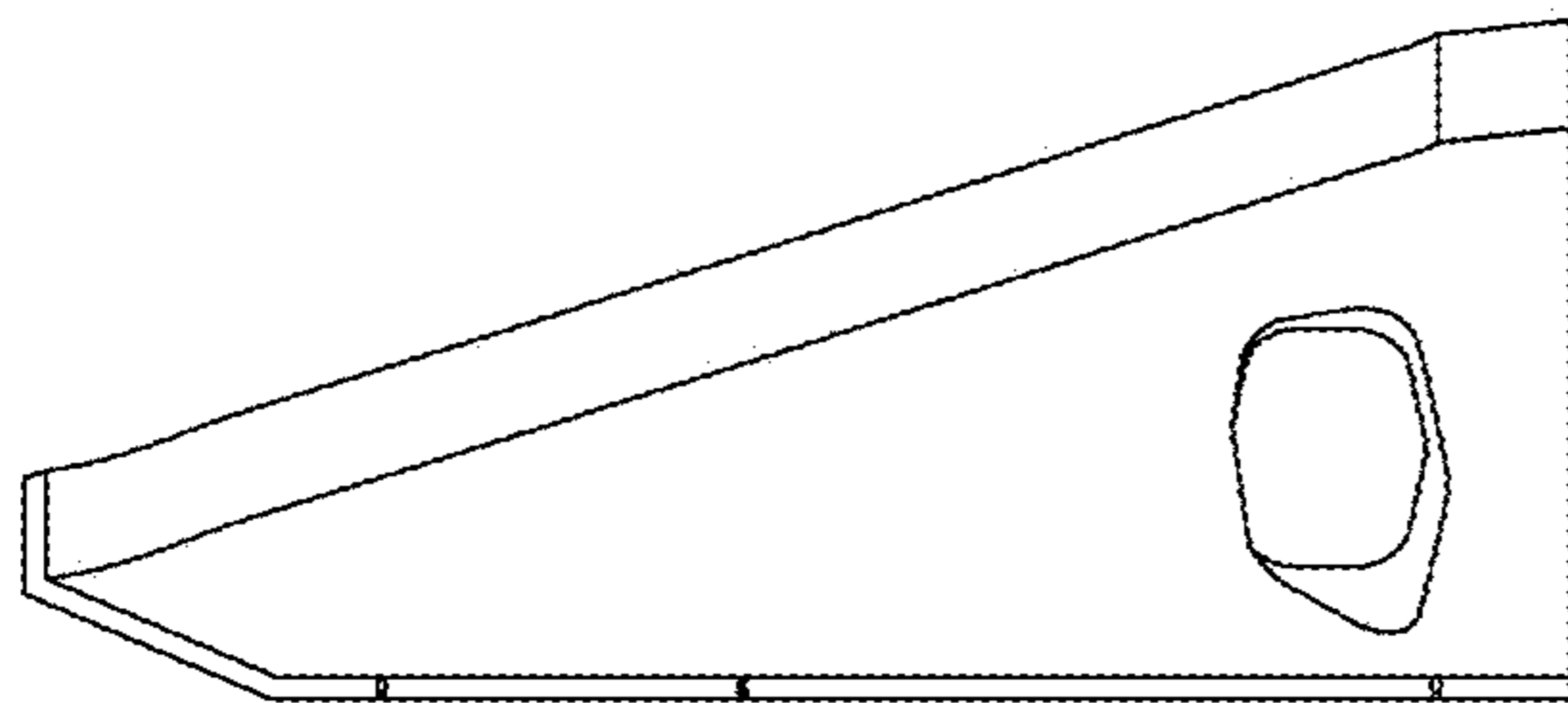


Fig. 7