



US00D940589S

(12) **United States Design Patent**
Nakamura et al.

(10) **Patent No.:** **US D940,589 S**
(45) **Date of Patent:** **** Jan. 11, 2022**

(54) **VEHICLE**

(71) Applicant: **Applied Electric Vehicles Pty Ltd,**
Melbourne (AU)

(72) Inventors: **Luciano Nakamura,** Croydon South
(AU); **Julian Broadbent,** Croydon
South (AU)

(73) Assignee: **Applied Electric Vehicles Pty Ltd,**
Melbourne (AU)

(**) Term: **15 Years**

(21) Appl. No.: **29/689,388**

(22) Filed: **Apr. 29, 2019**

(30) **Foreign Application Priority Data**

Oct. 29, 2018 (AU) 201816467

(51) **LOC (13) Cl.** **12-08**

(52) **U.S. Cl.**
USPC **D12/86**

(58) **Field of Classification Search**

USPC ... D12/3, 4, 5, 6, 7, 8, 9, 14, 15, 16, 21, 82,
D12/85, 86, 87, 88, 89, 90, 91, 92, 93,
D12/107, 110; D15/24, 28, 199;
D21/433, 533, 539, 550, 552, 564, 579,
D21/580, 581

CPC B62D 23/00; B62D 21/18; B62D 21/183;
B62D 24/02; B62D 25/00; B62D 39/00;
B62D 49/06; B62D 49/0621; B62D
55/04; B60W 10/105; B60W 10/14;
B60W 10/119; B60K 2031/0016; B60K
7/0007; B62M 2027/022

See application file for complete search history.

(56) **References Cited**

U.S. PATENT DOCUMENTS

D371,526 S * 7/1996 Verduyn D12/86
D378,994 S * 4/1997 Picard D12/90

D390,163 S * 2/1998 Tomforde D12/91
D419,017 S * 1/2000 Mahlmann D6/523
D437,256 S * 2/2001 Parent D12/86
D459,764 S * 7/2002 Hoelzel D21/433
D484,439 S * 12/2003 Hanagan D12/85
D552,509 S * 10/2007 Walkup D12/16
D619,046 S * 7/2010 Liu D12/90
D626,453 S * 11/2010 Arnell D12/86
D629,717 S * 12/2010 Artioli D12/91
D639,208 S * 6/2011 Li D12/86
D640,602 S * 6/2011 Yoshida D12/91
D691,921 S * 10/2013 Kasamatsu D12/86
D699,154 S * 2/2014 Liu D12/91
D719,062 S * 12/2014 Wada D12/90

(Continued)

OTHER PUBLICATIONS

Electric vehicles. (Design—© Questel) orbit.com. [online PDF] 42
pgs. Print Dates Range Sep. 17, 2020-Jul. 2, 2020 [Retrieved Apr.
23, 2021].*

(Continued)

Primary Examiner — Manpreet S Matharu

Assistant Examiner — Suzanne E Tisdell

(74) *Attorney, Agent, or Firm* — Banner & Witcoff, Ltd.

(57) **CLAIM**

The ornamental design for a vehicle, as shown and
described.

DESCRIPTION

FIG. 1 is a front perspective view of a vehicle showing our
new design;

FIG. 2 is a rear perspective view thereof;

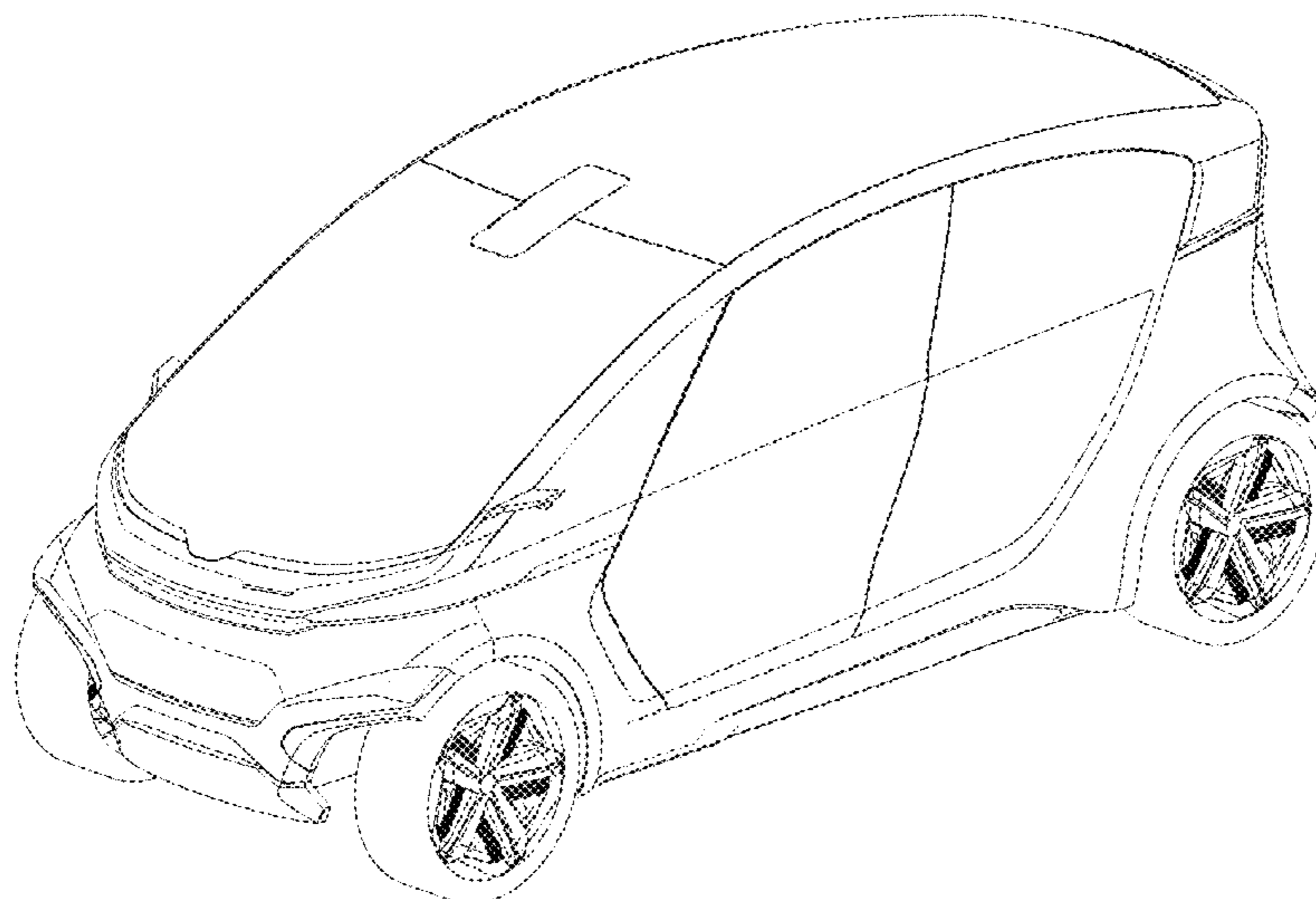
FIG. 3 is a right side view thereof, the left side view being
a mirror image thereof;

FIG. 4 is a front view thereof;

FIG. 5 is a rear view thereof; and,

FIG. 6 is a top view thereof.

1 Claim, 5 Drawing Sheets



(56)

References Cited

U.S. PATENT DOCUMENTS

D720,256 S * 12/2014 Palma D12/91
D724,999 S * 3/2015 Murray D12/91
8,966,744 B2 * 3/2015 Gandini B62D 29/046
29/825
D763,735 S * 8/2016 Tu D12/91
D778,785 S * 2/2017 Hirokawa D12/86
D789,250 S * 6/2017 Arnold D12/86
D800,017 S * 10/2017 Sapet D12/86
D811,268 S * 2/2018 Marioni D12/90
D830,900 S * 10/2018 Suzuki D12/86
D867,211 S * 11/2019 Klimov D12/86
D874,975 S * 2/2020 Okonsky D12/85
D874,976 S * 2/2020 Okonsky D12/85
D906,172 S * 12/2020 Tuft D12/87
D913,846 S * 3/2021 Tuft D12/87

OTHER PUBLICATIONS

Gaton, Bryce. "Revealed: Australian Solar-Powered Electric Vehicle with Swappable Bodies." Dec. 11, 2018. The Driven, <https://thedriven.io/2018/12/11/revealed-australian-solar-powered-applied-electric-vehicle-aims-to-re-imagine-future/> (Year: 2018).*

Roberts, Peter. "New Melbourne-Made Electric Vehicle Breaks Cover." Dec. 13, 2018. Australia Manufacturing, <https://www.aumanufacturing.com.au/new-melbourne-made-electric-vehicle-breaks-cover> (Year: 2018).*

* cited by examiner

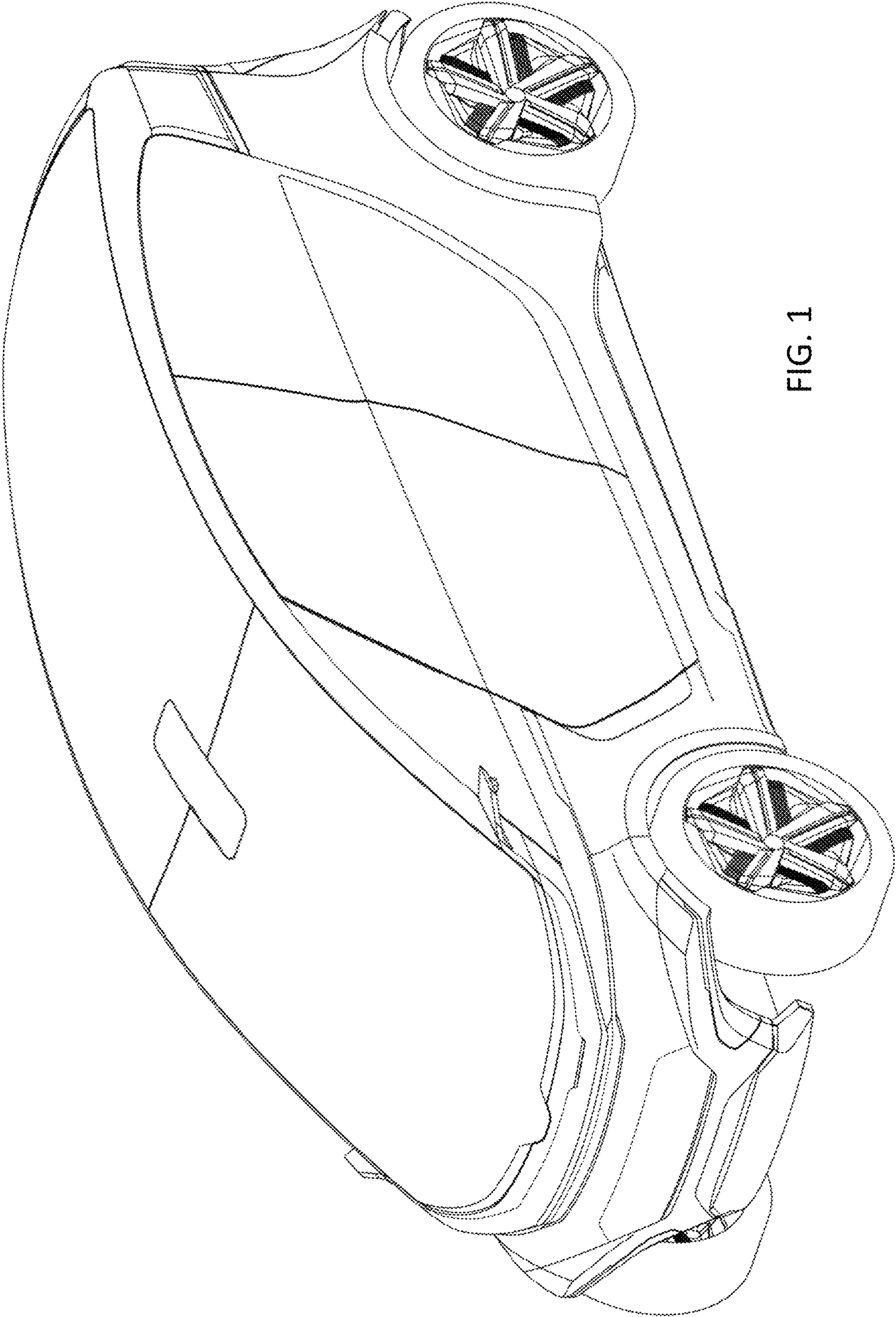


FIG. 1

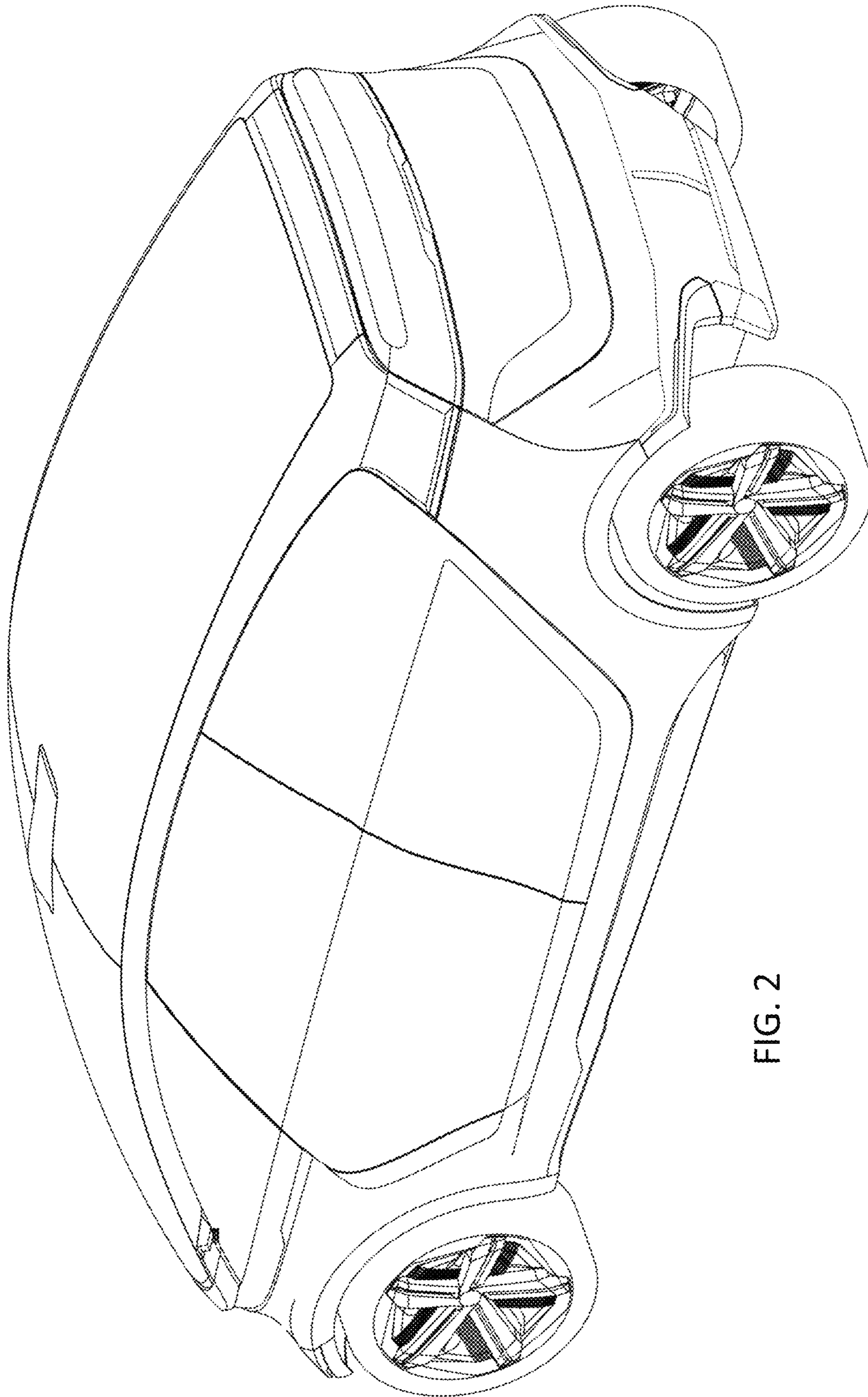


FIG. 2

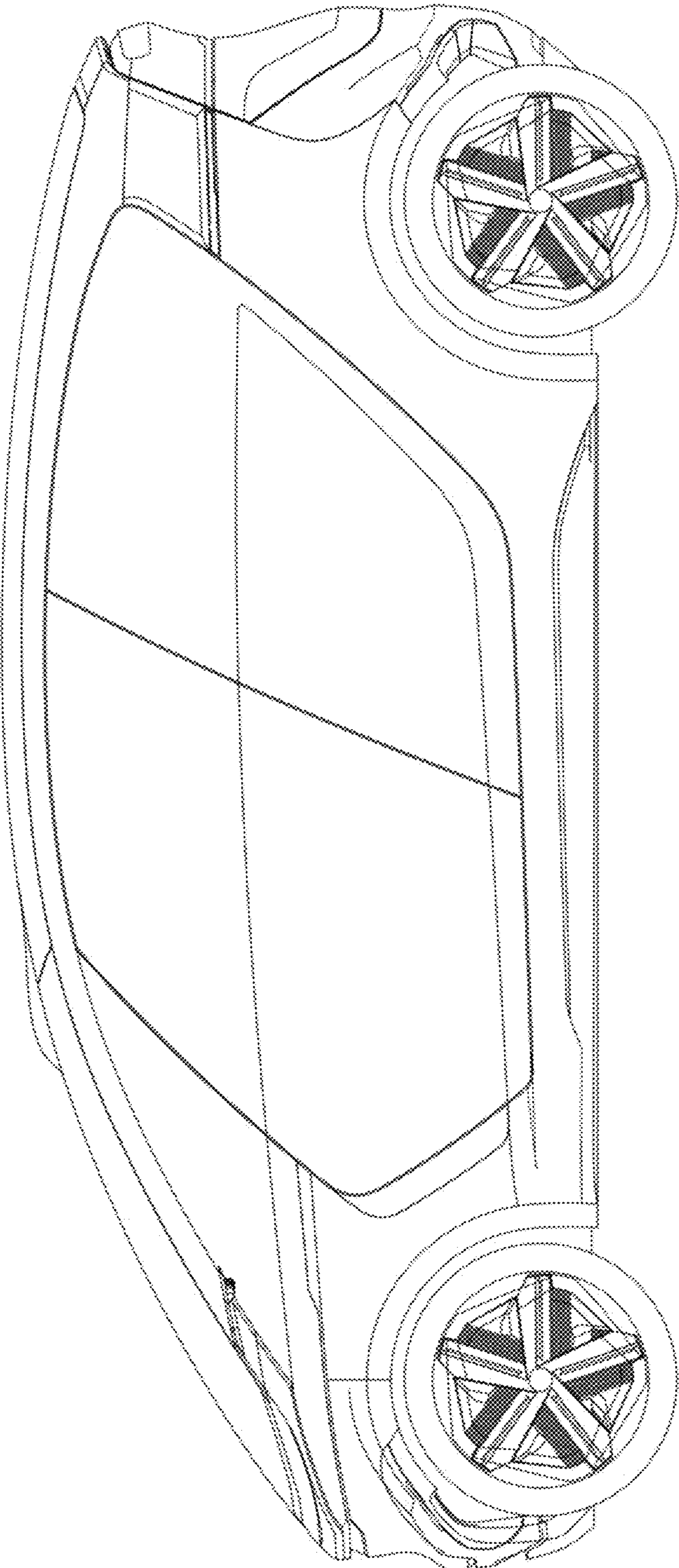


FIG. 3

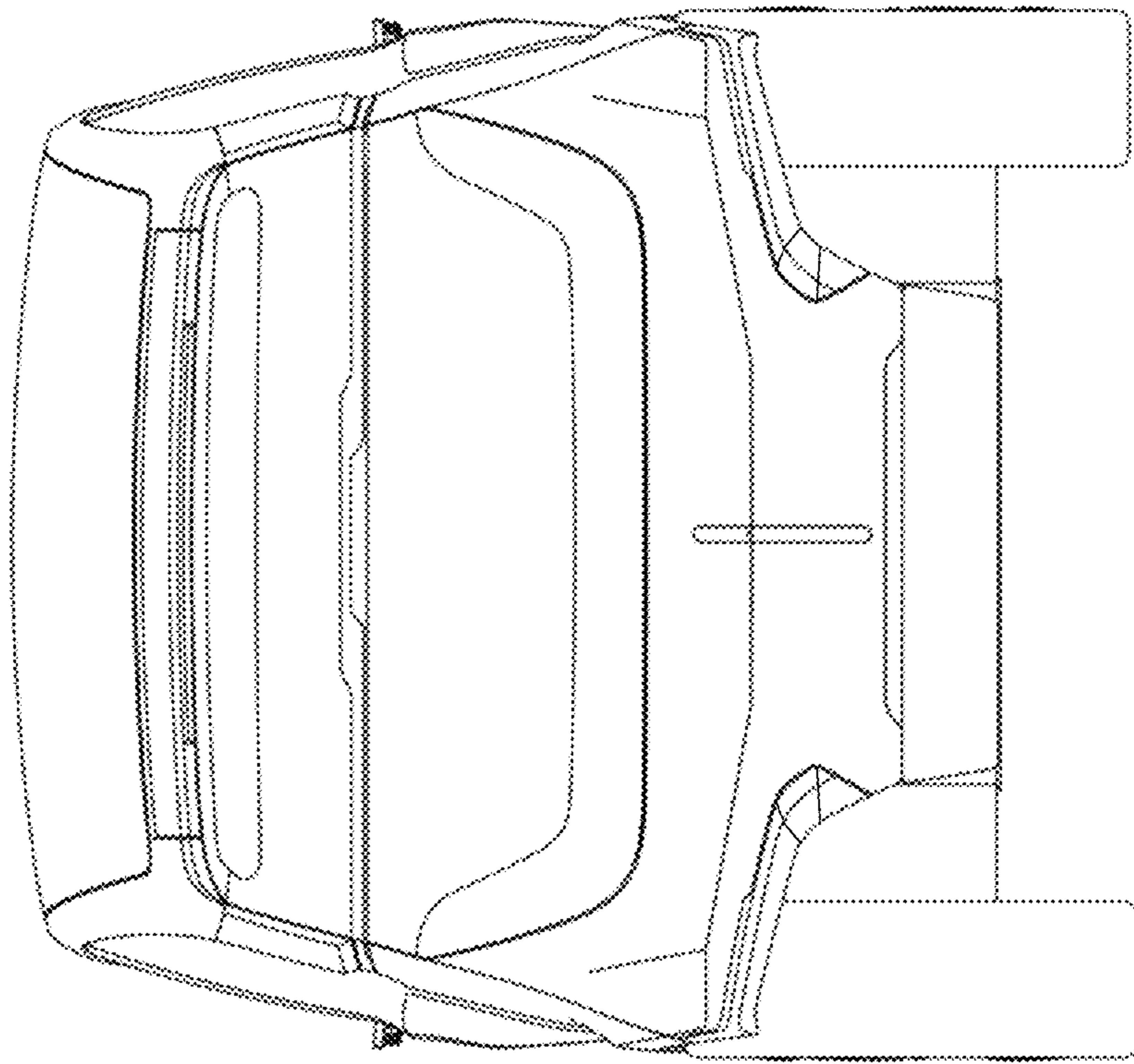


FIG. 5

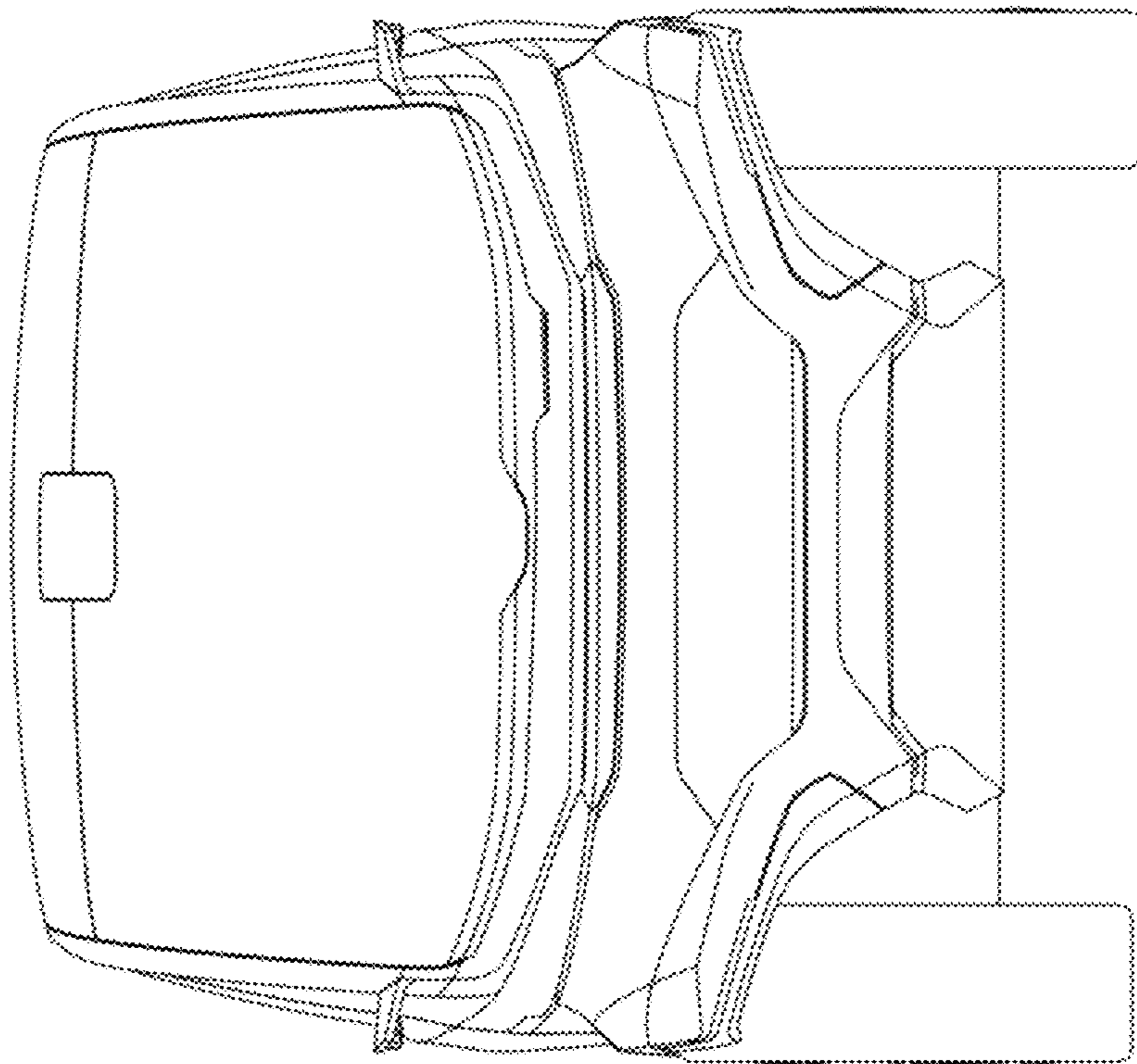


FIG. 4

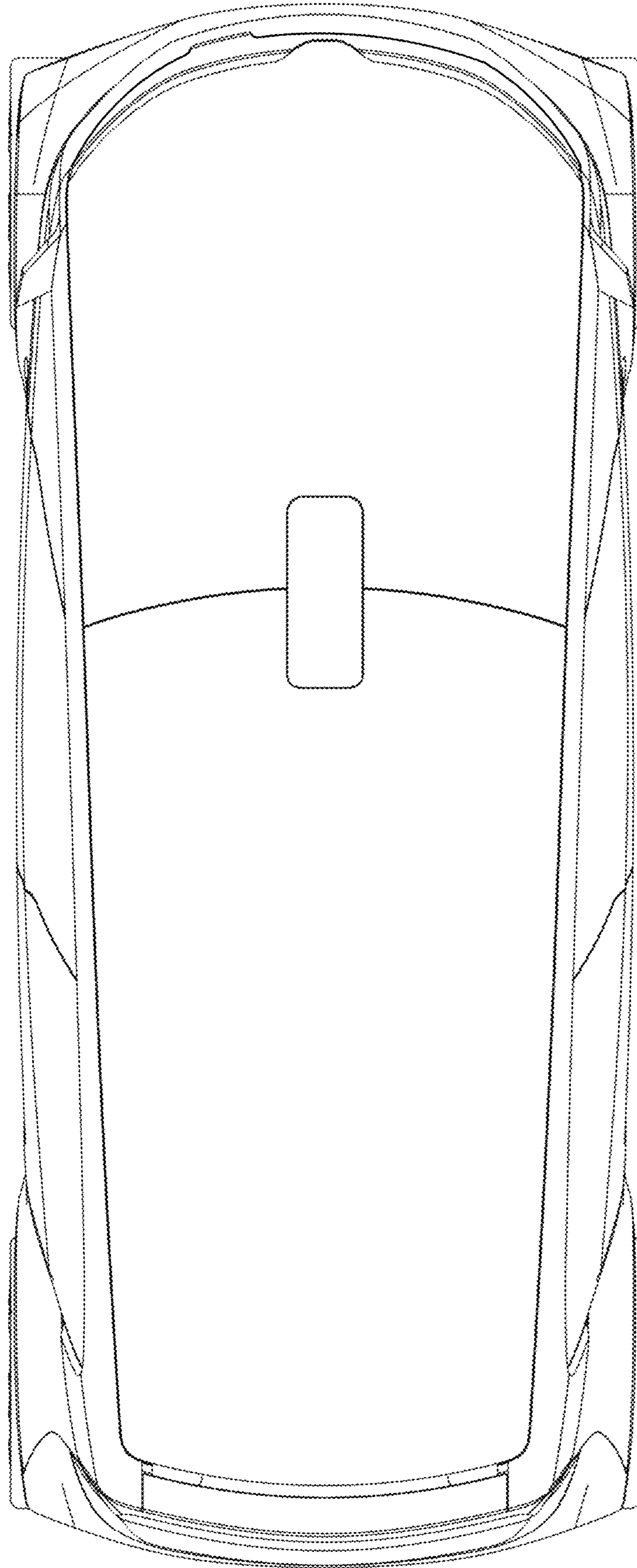


FIG. 6