



US00D940588S

(12) **United States Design Patent** (10) **Patent No.:** **US D940,588 S**  
**Kafantaris et al.** (45) **Date of Patent:** **\*\* Jan. 11, 2022**

(54) **PASSENGER VEHICLE**  
(71) Applicant: **Hyperion Motors, Inc.**, Orange, CA (US)  
(72) Inventors: **Constantine E. Kafantaris**, Orange, CA (US); **Jason Briney**, Orange, CA (US); **Daniel Schumpert**, Orange, CA (US)  
(\*\*) Term: **15 Years**  
(21) Appl. No.: **29/687,297**  
(22) Filed: **Apr. 11, 2019**  
(51) **LOC (13) Cl.** ..... **12-08**  
(52) **U.S. Cl.**  
USPC ..... **D12/86**  
(58) **Field of Classification Search**  
USPC ..... D12/16.1, 86, 88, 91, 92, 107, 110, 114, D12/115, 120, 126, 169, 214, 215, 300, D12/305, 317, 319, 328, 344, 345, 401, D12/402, 406, 407, 408, 409, 410, 415, D12/412, 413, 414, 414.1, 424, 433, 434, D12/533, 900  
CPC ..... B60R 19/02; B60R 19/04; B62D 25/00; B62D 25/06; B62D 25/08; B62D 33/00; B62D 35/00  
See application file for complete search history.

D758,920 S \* 6/2016 Greenway ..... D12/36  
D827,493 S \* 9/2018 Wang ..... D12/37  
D836,729 S \* 12/2018 Lee ..... D21/541  
D867,208 S \* 11/2019 Abe ..... D12/36  
D868,628 S \* 12/2019 Lian ..... D12/37  
D878,968 S \* 3/2020 Gomez Sarasola ..... D12/84  
D880,358 S \* 4/2020 Yi ..... D12/92

**OTHER PUBLICATIONS**

Rail Vehicles. (Design—© Questel) orbit.com. [Online PDF compilation of references selected by examiner] 73 pgs. Print Dates Apr. 23, 2021-May 12, 2020.\*  
Seban, Timothee & Le Pleux, Romain. Man Concept X. 2017. Behance. <https://www.behance.net/gallery/46510077/MAN-Concept-X-Master-Degree-Project-The-story> (Year: 2017).\*

(Continued)

*Primary Examiner* — Manpreet S Matharu  
*Assistant Examiner* — Suzanne E Tisdell  
(74) *Attorney, Agent, or Firm* — Kafantaris Law Offices; Theo Kafantaris

(57) **CLAIM**

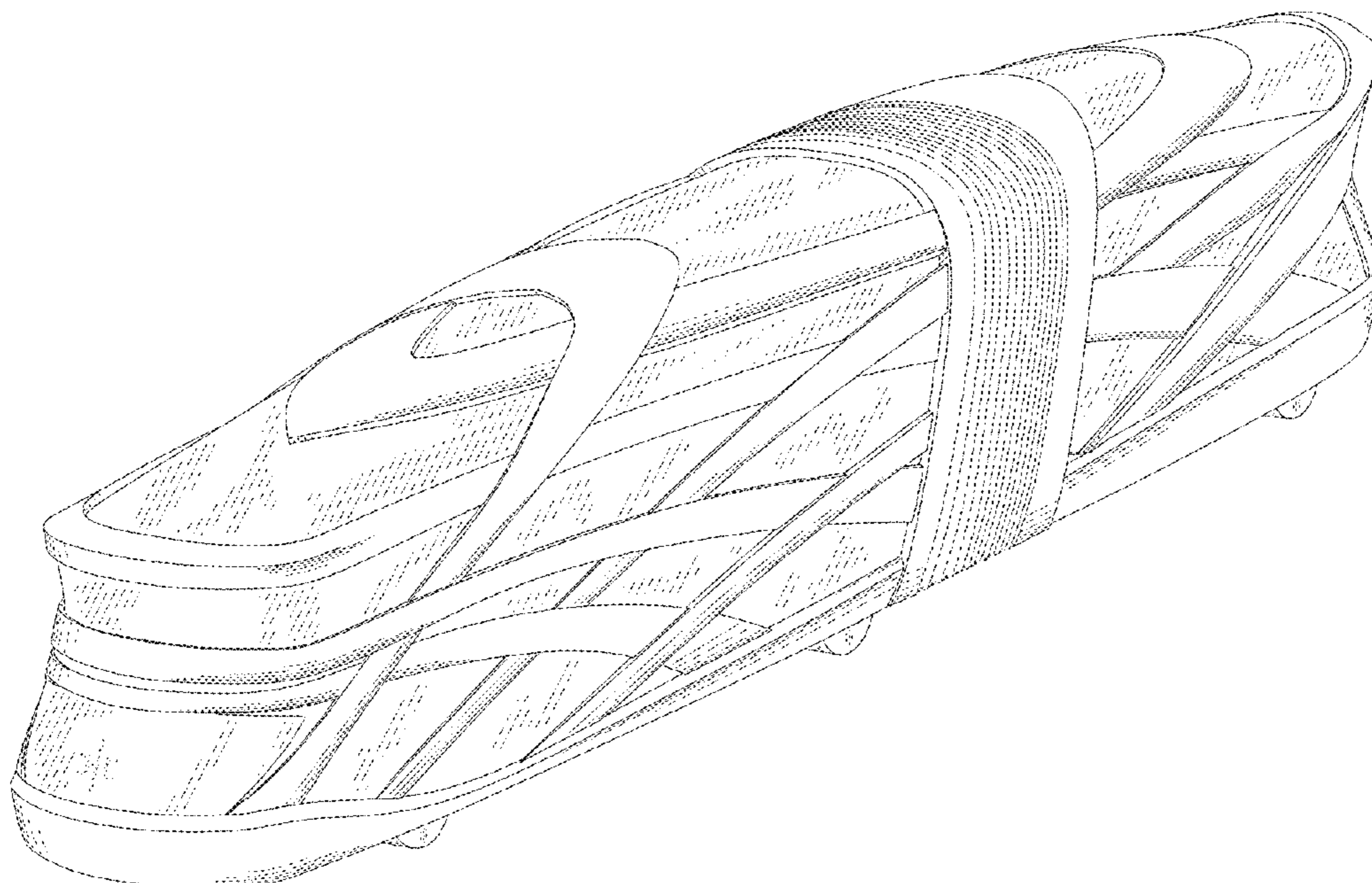
The ornamental design for a passenger vehicle, as shown and described.

**DESCRIPTION**

FIG. 1 is a front perspective view of the passenger vehicle showing our new design;  
FIG. 2 is a right side view thereof;  
FIG. 3 is a left side view thereof;  
FIG. 4 is a front view thereof;  
FIG. 5 is a rear view thereof;  
FIG. 6 is a top view thereof; and,  
FIG. 7 is a rear perspective view thereof.  
Broken lines in the drawings show portions of the passenger vehicle that form no part of the claimed design.

**1 Claim, 7 Drawing Sheets**

(56) **References Cited**  
U.S. PATENT DOCUMENTS  
D457,467 S \* 5/2002 Shimizu ..... D12/86  
D510,299 S \* 10/2005 Gunby ..... D12/100  
D516,955 S \* 3/2006 Gunby ..... D12/82  
D544,814 S \* 6/2007 Gunby ..... D12/1  
D563,831 S \* 3/2008 Suge ..... D12/84



(56)

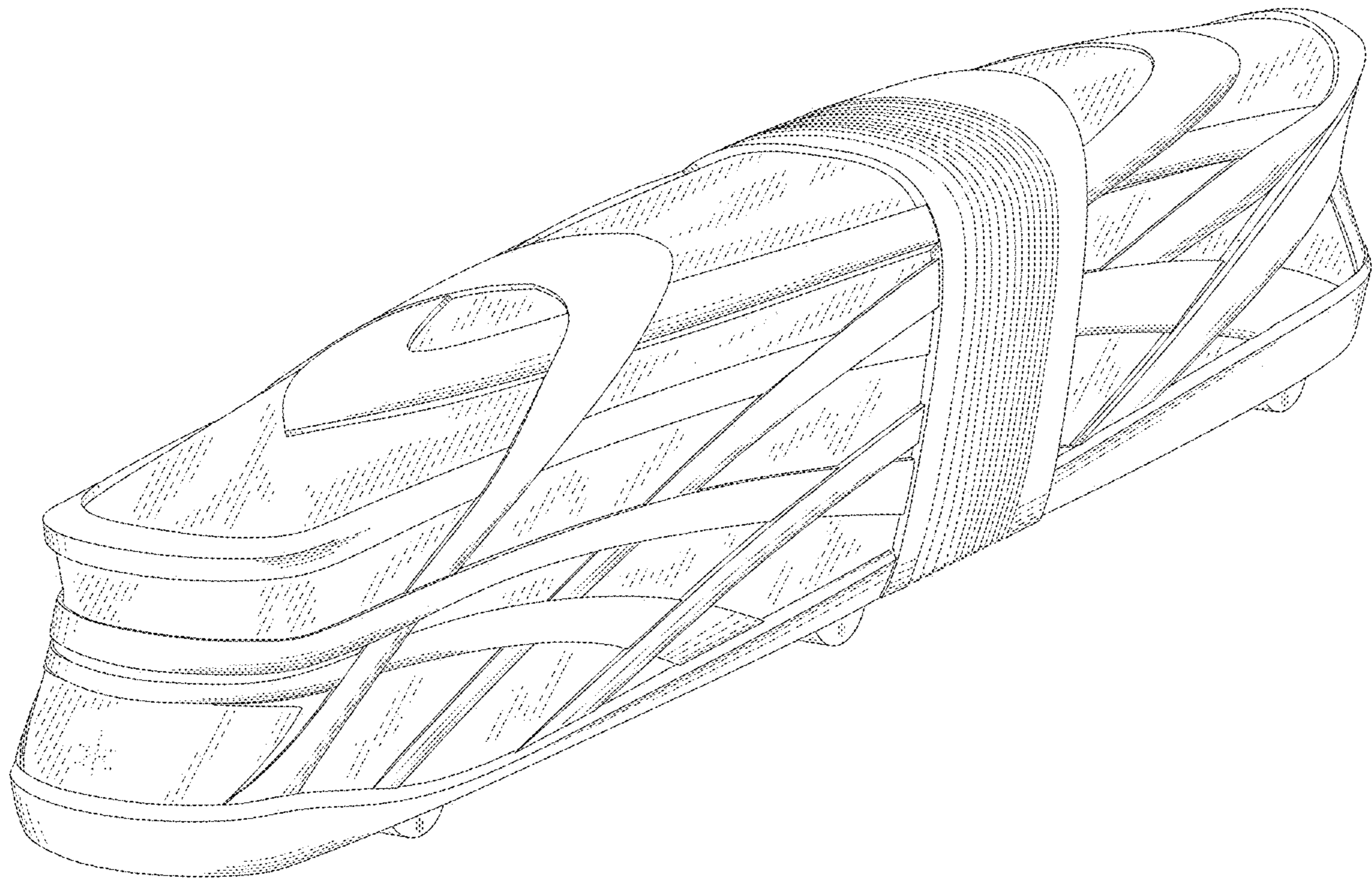
**References Cited**

OTHER PUBLICATIONS

Planinski, Konstantin. “[RO] Softronic Releases its Third Hyperion EMU: Lay’s Livery is Back.” Mar. 7, 2019. Rail Color News. <https://railcolornews.com/2019/07/03/ro-softronic-releases-its-third-hyperion-emu-lays-livery-is-back/> (Year: 2019).\*

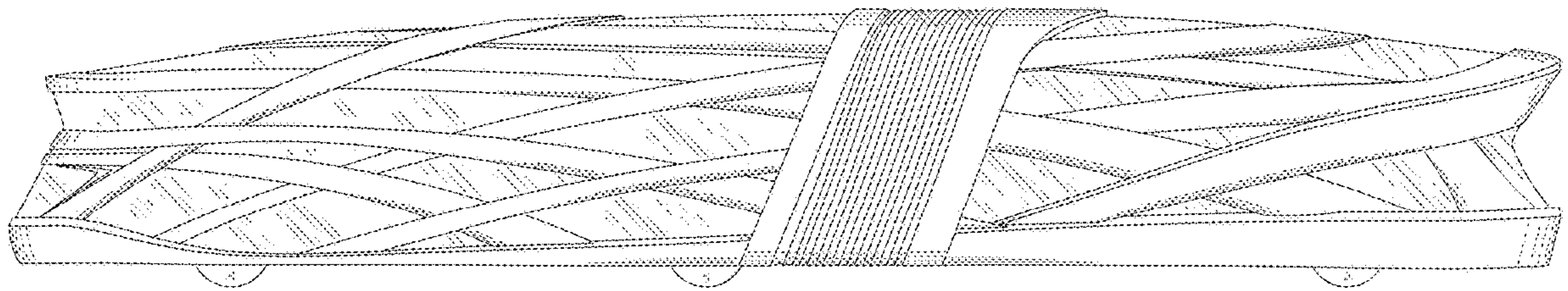
Bozhilov, Ognyan. “Dubai Subway Trains Design.” 2015. Behance. <https://www.behance.net/gallery/14242279/Dubai-Subway-Trains-Design> (Year: 2015).\*

\* cited by examiner

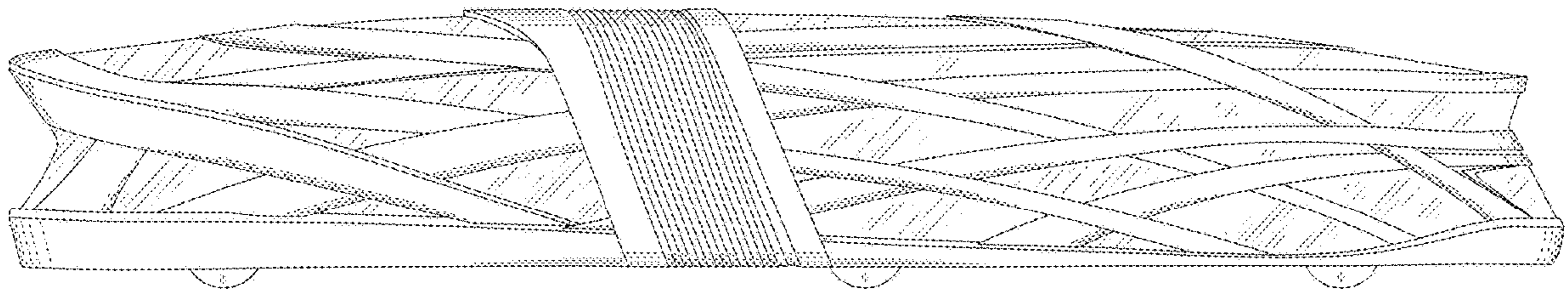


**FIG 1**

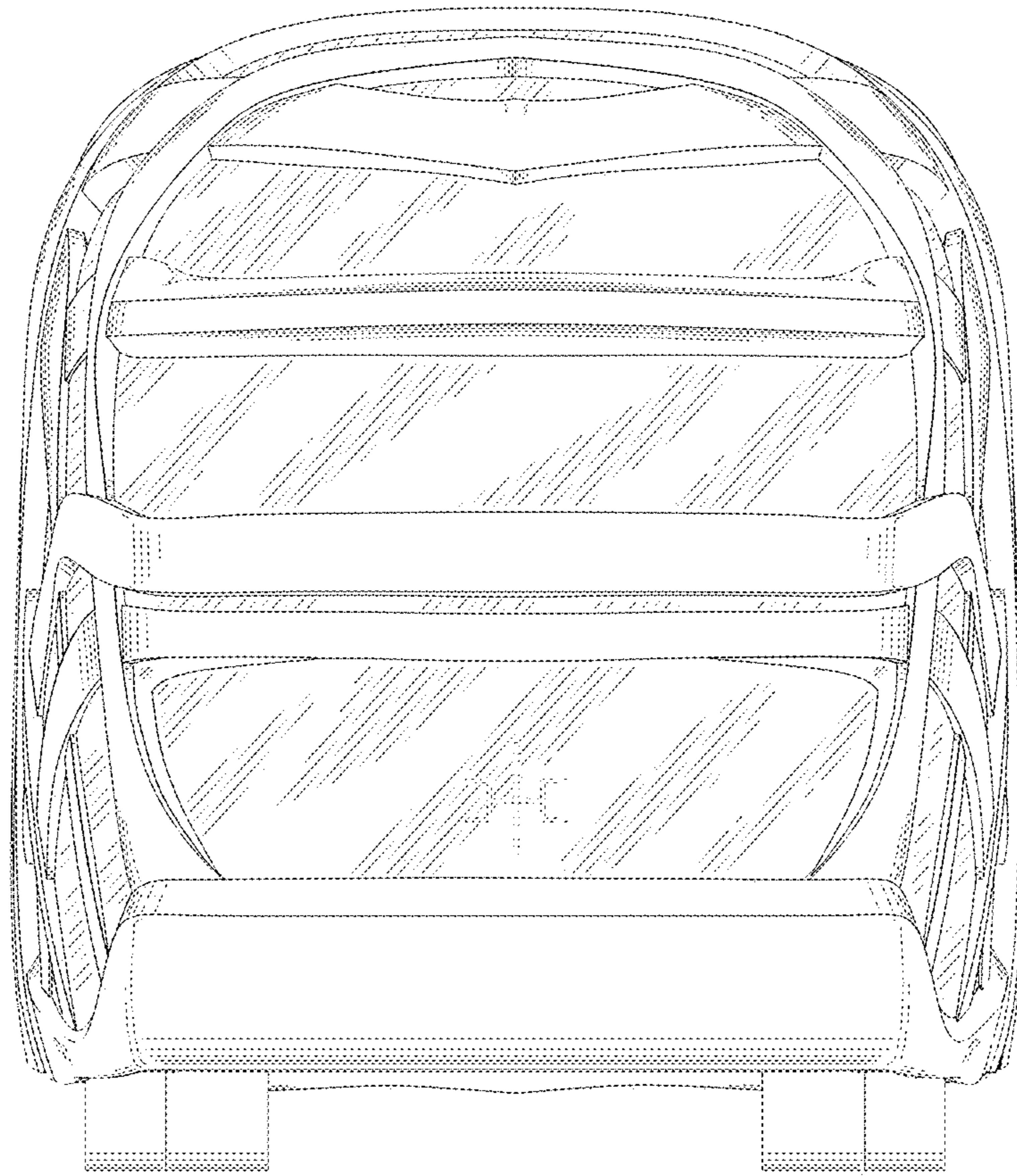




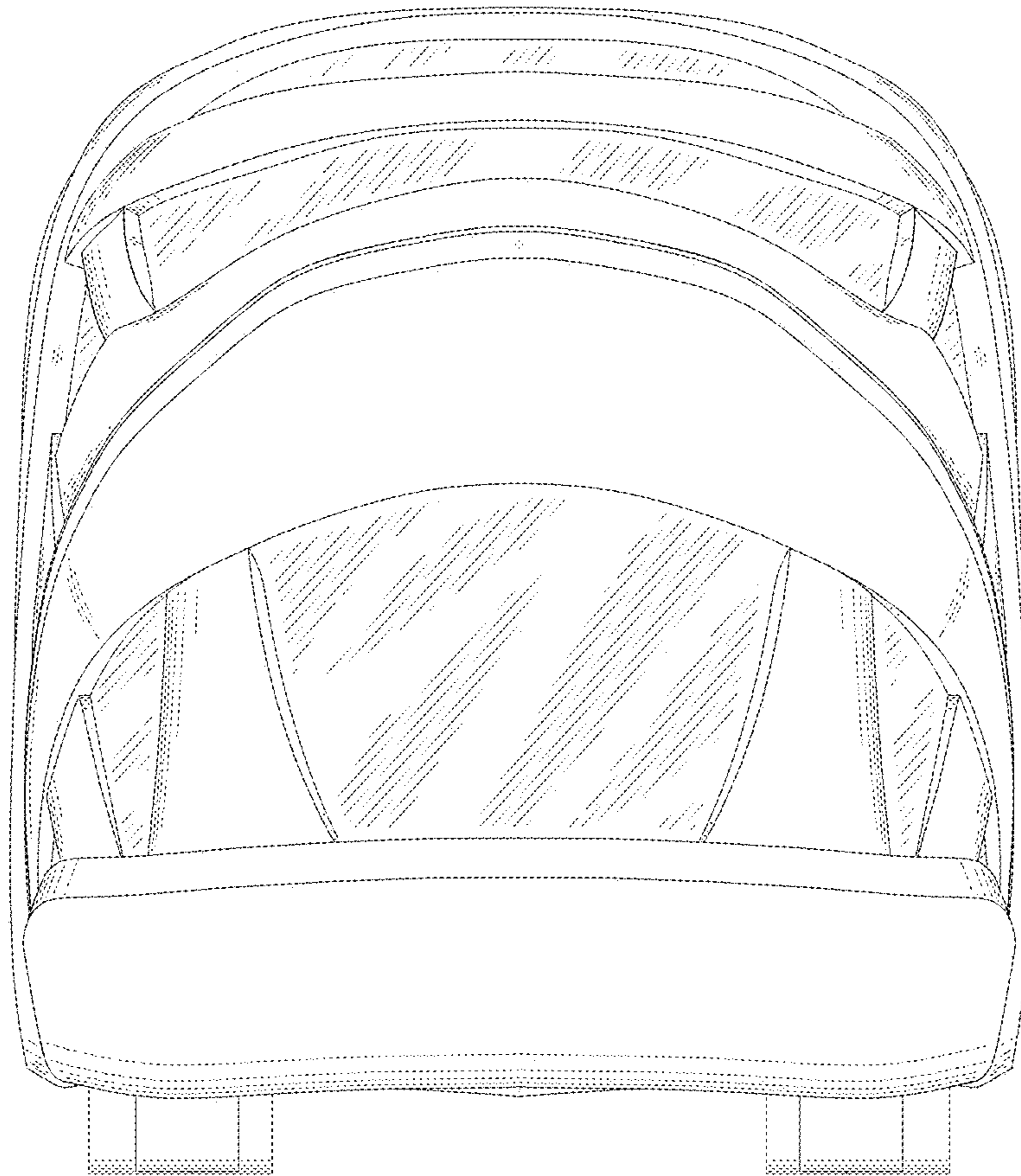
**FIG 2**



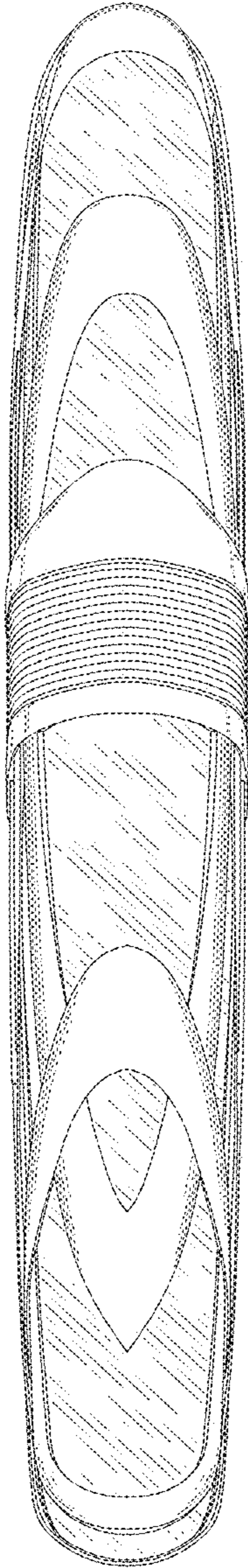
**FIG 3**



**FIG 4**

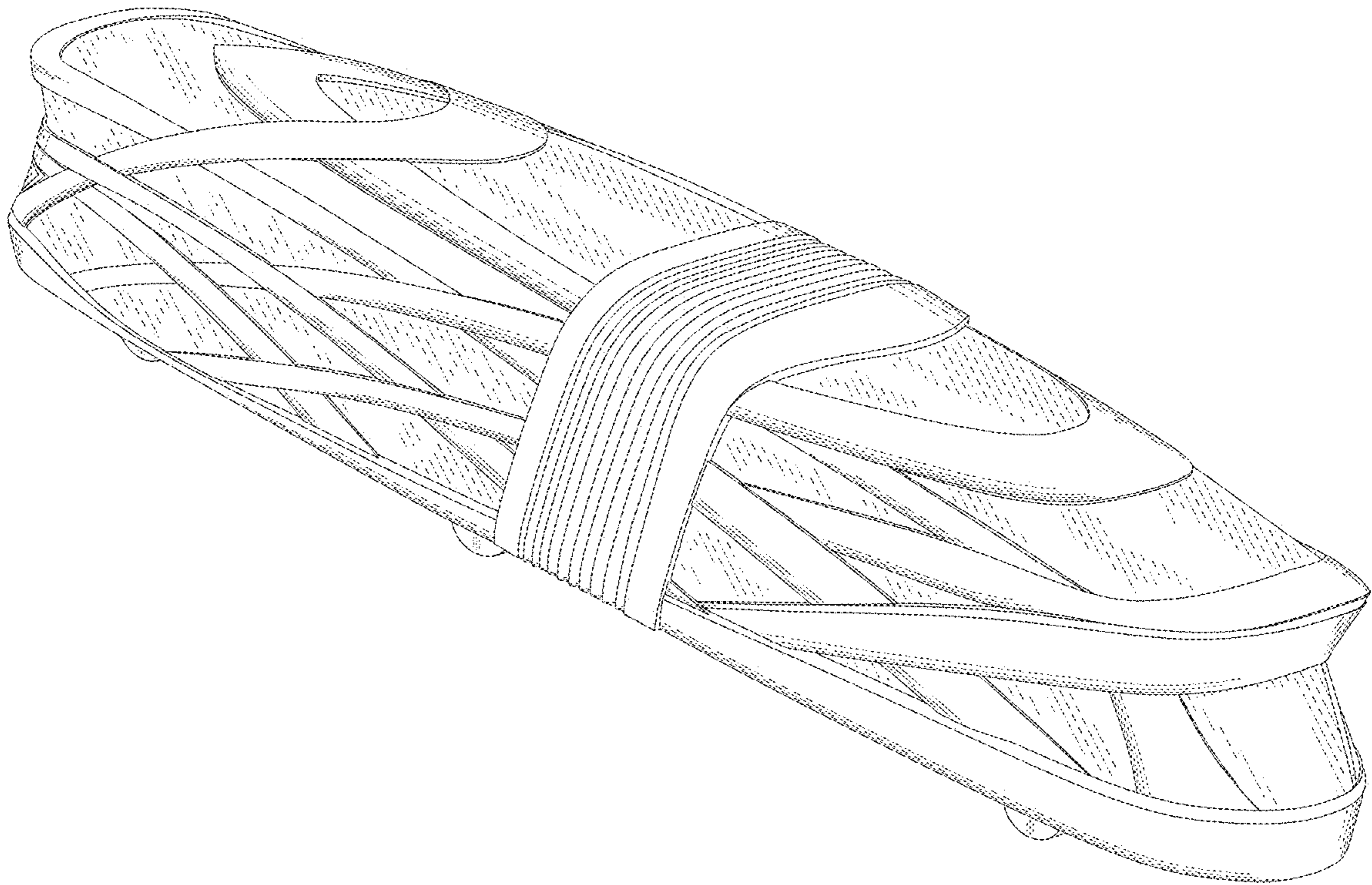


**FIG 5**



**FIG 6**





**FIG 7**