



US00D940584S

(12) **United States Design Patent**
Dholakiya

(10) **Patent No.:** **US D940,584 S**
(45) **Date of Patent:** **** Jan. 11, 2022**

(54) **PRECIOUS STONE JEWELRY SETTING**

(71) Applicant: **H. K. Designs Inc.**, New York, NY
(US)

(72) Inventor: **Hasmukh H. Dholakiya**, New York,
NY (US)

(73) Assignee: **H. K. DESIGNS INC.**, New York, NY
(US)

(**) Term: **15 Years**

(21) Appl. No.: **29/697,996**

(22) Filed: **Jul. 12, 2019**

Related U.S. Application Data

(62) Division of application No. 29/604,915, filed on May
22, 2017, now Pat. No. Des. 891,977.

(51) **LOC (13) Cl.** **11-01**

(52) **U.S. Cl.**
USPC **D11/91**

(58) **Field of Classification Search**
USPC D11/1, 2, 26-31, 34, 79, 91-92, 35-40
CPC . A44C 17/02; A44C 17/0275; A44C 17/0283;
A44C 17/0291; A44C 25/001; A44C
25/007; A44C 17/04
See application file for complete search history.

(56) **References Cited**

U.S. PATENT DOCUMENTS

795,109 A * 7/1905 Dover A44C 17/02
63/26
D306,707 S * 3/1990 Henry De Frahan D11/79
D311,356 S * 10/1990 De Frahan D11/79
D311,504 S * 10/1990 De Frahan D11/79
D674,315 S * 1/2013 Dholakiya D11/91

D770,430 S * 11/2016 Lee D14/240
D860,036 S * 9/2019 Dholakiya D11/91
D871,961 S * 1/2020 Bhosale D11/91
10,602,814 B1 * 3/2020 Dholakiya A44C 17/02
D891,977 S * 8/2020 Dholakiya D11/91
D899,964 S * 10/2020 Dholakiya D11/92
2005/0199004 A1 * 9/2005 Bernsen A44C 11/007
63/26
2016/0066662 A1 * 3/2016 Rosenberg A44C 17/02
428/13
2017/0172265 A1 * 6/2017 Leuz A44C 17/0283
2018/0000208 A1 * 1/2018 Bove A44C 17/0291
2018/0070686 A1 * 3/2018 de Cezaro A44C 25/002
2018/0307050 A1 * 10/2018 Dholakiya A44C 25/001

* cited by examiner

Primary Examiner — Llorellys Martinez

(74) *Attorney, Agent, or Firm* — Ostrolenk Faber LLP

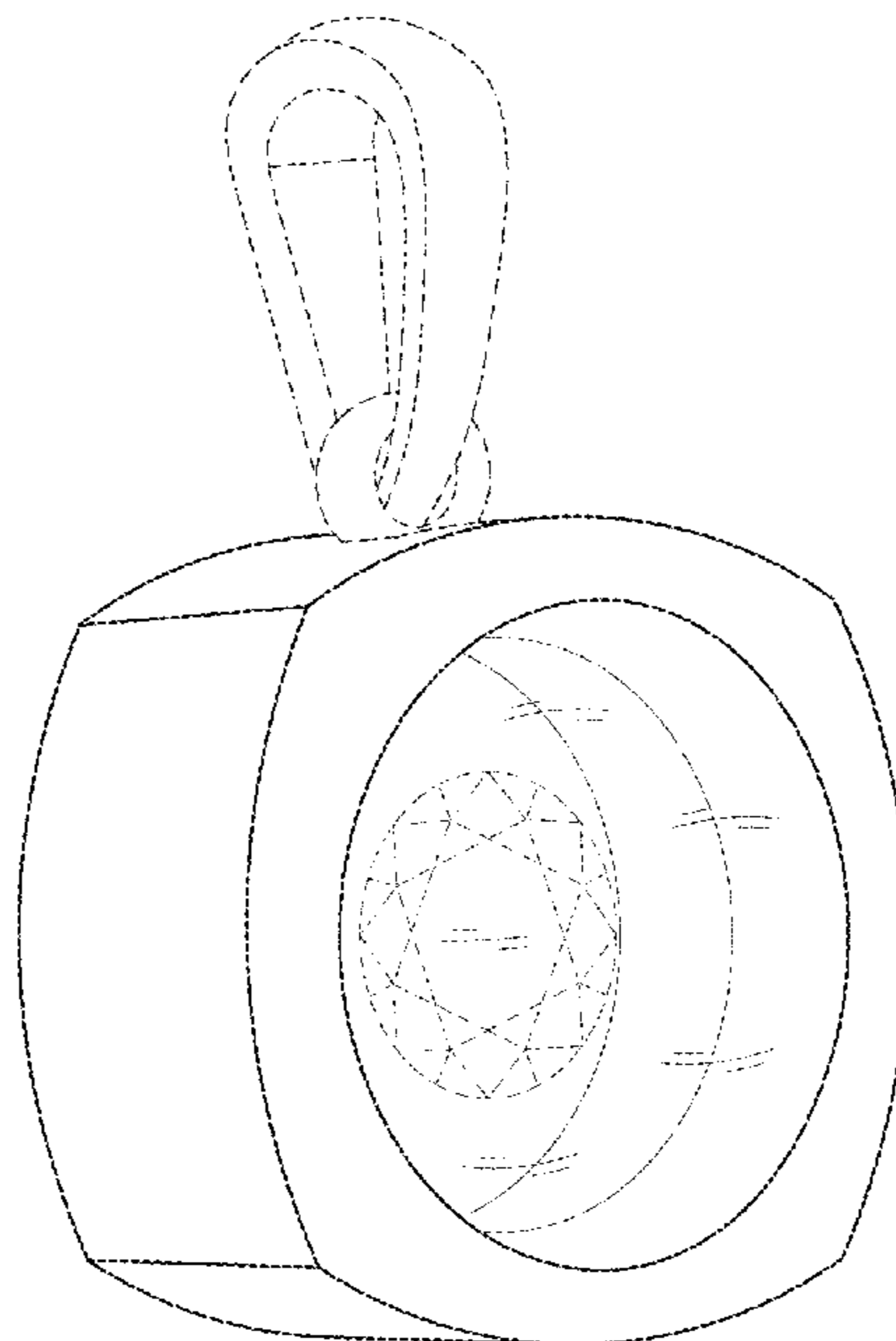
(57) **CLAIM**

The ornamental design for a precious stone jewelry setting,
as shown and described.

DESCRIPTION

FIG. 1 is a perspective view of the precious stone jewelry
setting showing my new design.
FIG. 2 is a front view of the precious stone jewelry setting
of FIG. 1.
FIG. 3 is a rear perspective of the precious stone jewelry
setting of FIG. 1.
FIG. 4 is a right side elevation view of FIG. 1, the left side
elevation view being a mirror image thereof.
FIG. 5 is a cross-sectional view thereof, taken along lines
5-5 in FIG. 2; and,
FIG. 6 is a rear view of FIG. 1.
The broken lines in the drawings illustrate portions of the
precious stone jewelry setting that form no part of the
claimed design.

1 Claim, 6 Drawing Sheets



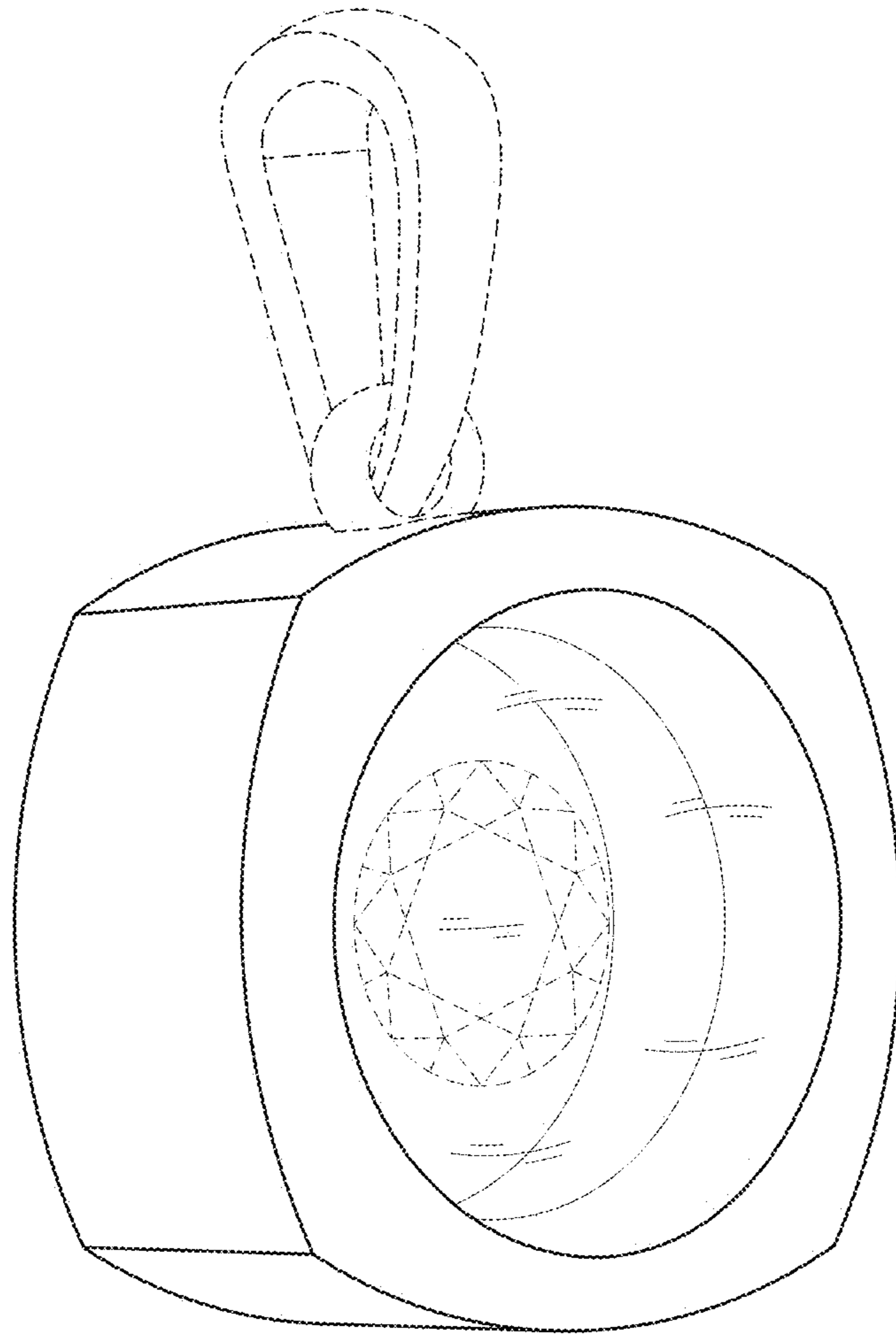


FIG. 1

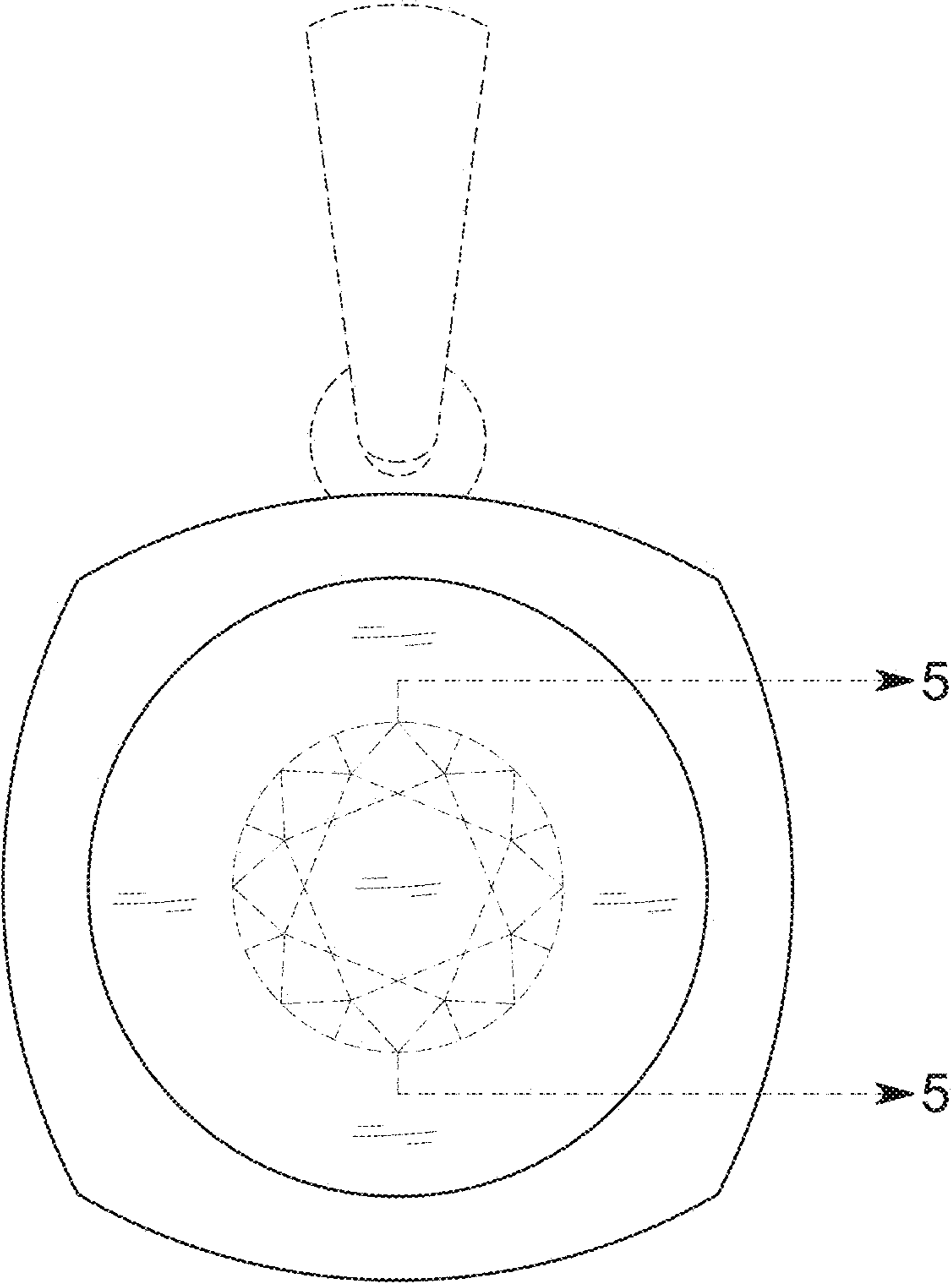


FIG. 2

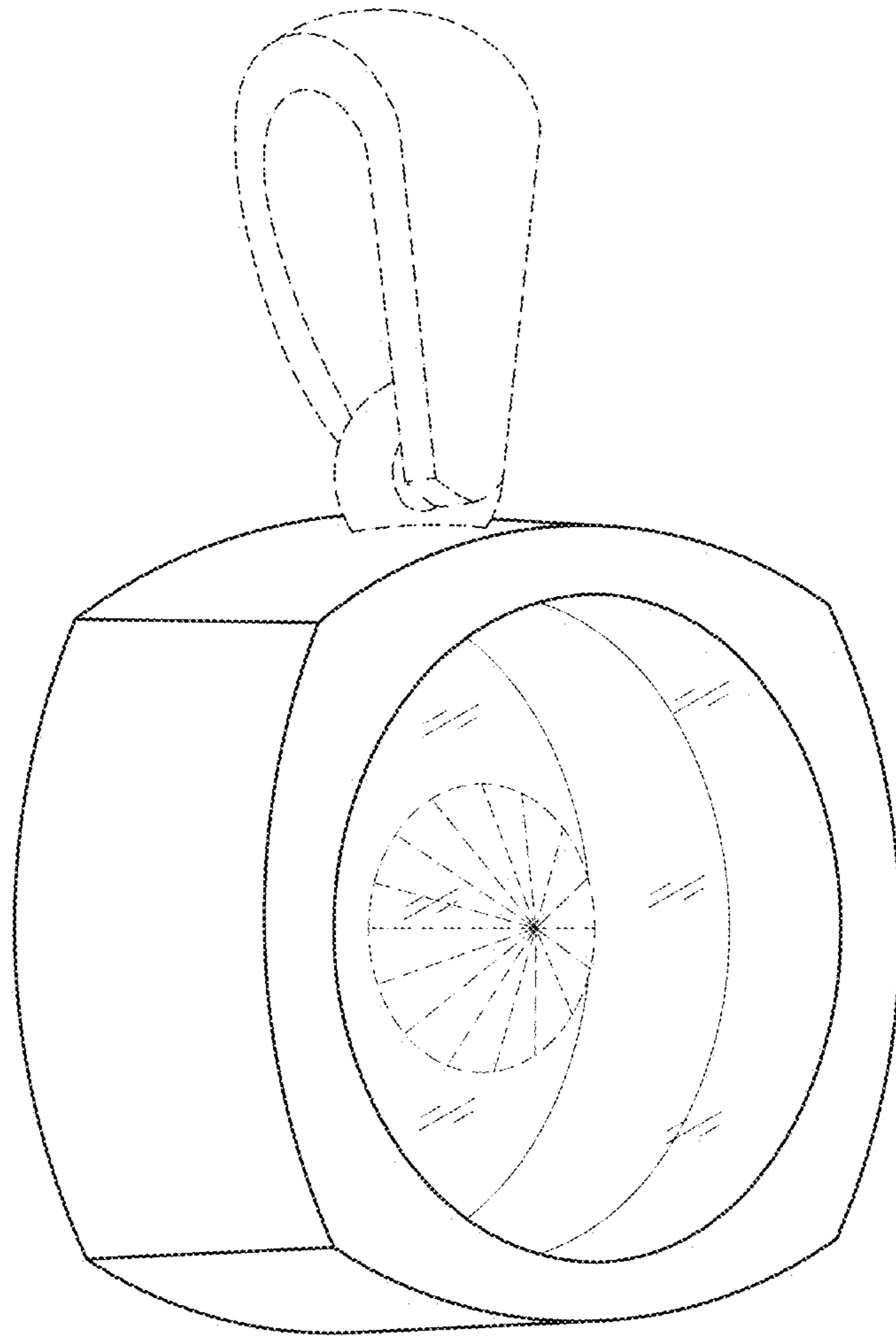


FIG. 3

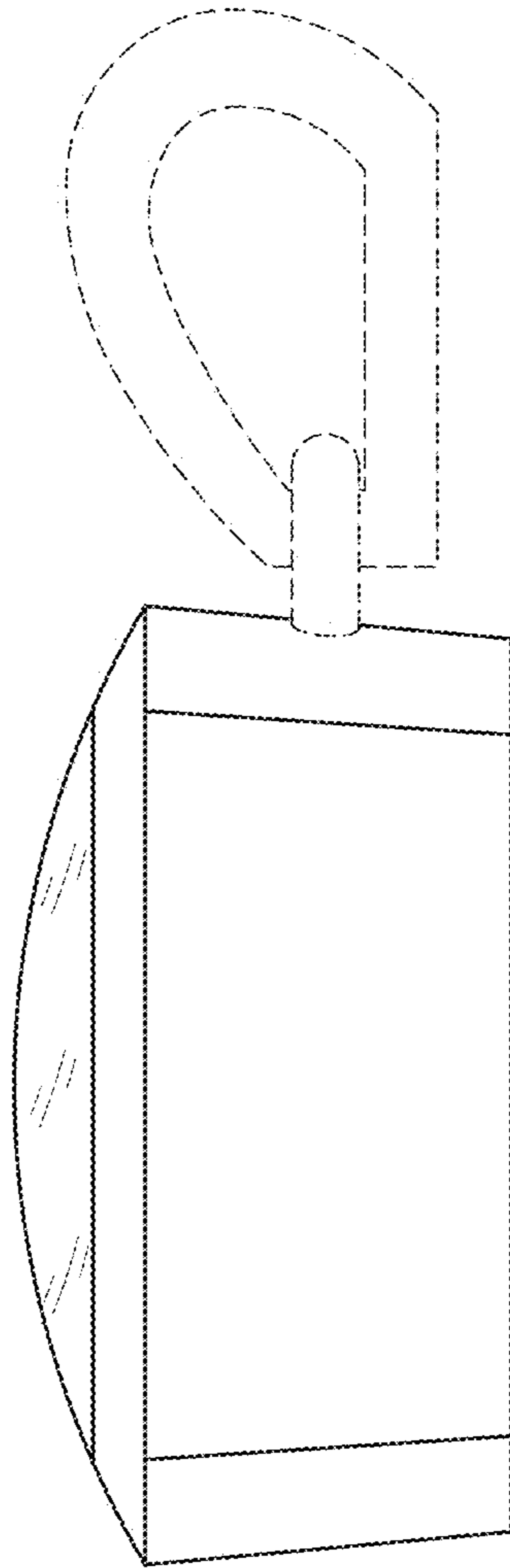


FIG. 4

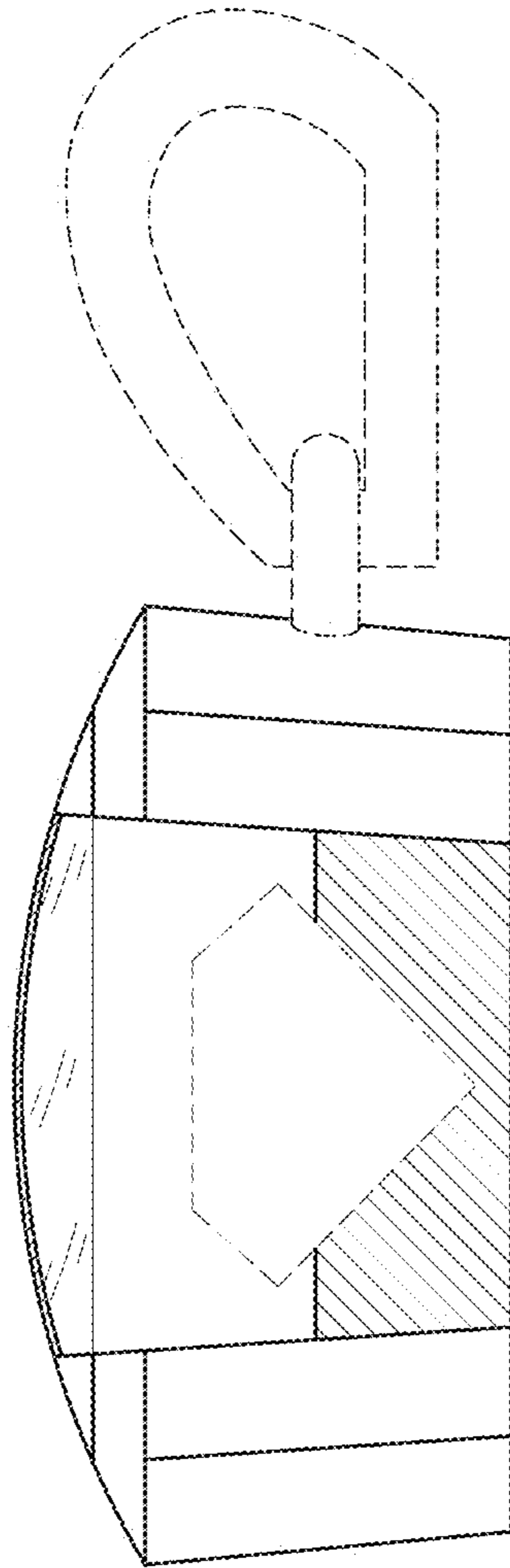


FIG. 5

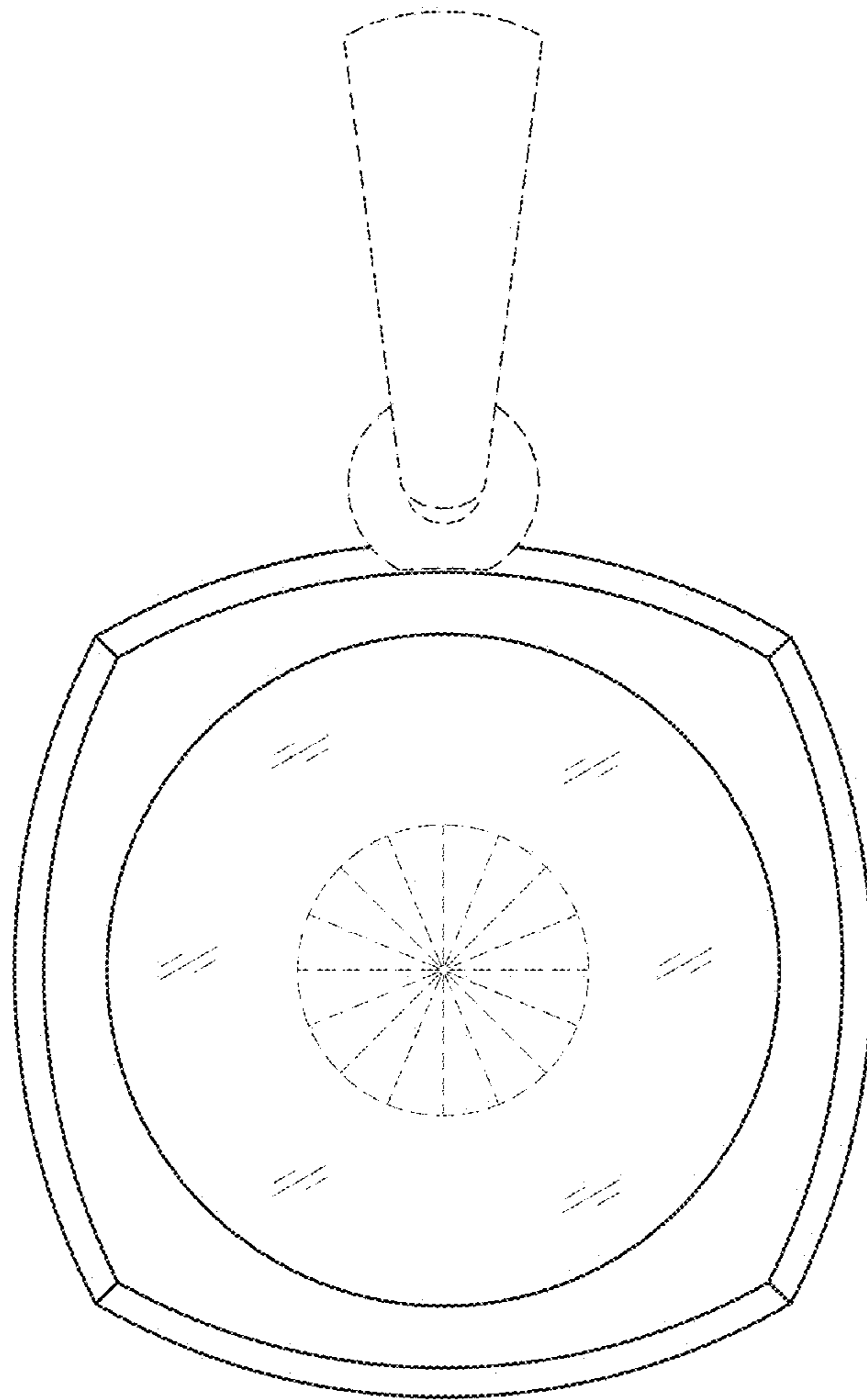


FIG. 6