



US00D940579S

(12) **United States Design Patent**
Seum et al.

(10) **Patent No.:** **US D940,579 S**
(45) **Date of Patent:** **** Jan. 11, 2022**

(54) **WATER SENSOR**

(71) Applicant: **Grohe AG**, Hemer (DE)

(72) Inventors: **Michael Seum**, Duesseldorf (DE);
Christoph Kuppert, Cologne (DE)

(73) Assignee: **Grohe AG**, Hemer (DE)

(**) Term: **15 Years**

(21) Appl. No.: **29/704,752**

(22) Filed: **Sep. 6, 2019**

(30) **Foreign Application Priority Data**

Mar. 8, 2019 (EM) 006286878-0001

(51) **LOC (13) Cl.** **10-04**

(52) **U.S. Cl.**
USPC **D10/101**

(58) **Field of Classification Search**

USPC D10/99, 100, 101
CPC G08B 21/02; G08B 21/18; G08B 21/182;
G08B 21/20; G08B 3/00; G08B 19/00;
G08B 19/02; G01D 7/00; G01D 11/24;
G01D 11/245; G01F 1/00; G01N
33/0031; G01N 33/0032; G01M 3/16;
G01M 3/38

See application file for complete search history.

(56) **References Cited**

U.S. PATENT DOCUMENTS

D705,103 S * 5/2014 Leasure D10/101
D758,228 S * 6/2016 Harck D10/103

D764,320 S * 8/2016 Li D10/50
9,582,987 B2 * 2/2017 Eskildsen G08C 17/02
D795,092 S * 8/2017 Trishaun D10/53
D811,254 S * 2/2018 Lee D10/101
D817,793 S * 5/2018 Vu D10/70
D827,456 S * 9/2018 Seum D10/56
D830,856 S * 10/2018 Golnik D10/30
D839,755 S * 2/2019 Du D10/52
D854,950 S * 7/2019 Seum G08B 21/02
D10/53
10,345,123 B2 * 7/2019 Berk G01D 11/26
10,672,252 B2 * 6/2020 Sale G08B 21/182
10,825,313 B2 * 11/2020 Mott G08B 21/02

* cited by examiner

Primary Examiner — Antoine Duval Davis

(74) *Attorney, Agent, or Firm* — Muncy, Geissler, Olds & Lowe, P.C.

(57) **CLAIM**

The ornamental design for a water sensor, as shown and described.

DESCRIPTION

FIG. 1 is a front perspective view of a water sensor according to the present invention.

FIG. 2 is a front view of the water sensor of FIG. 1.

FIG. 3 is a rear view of the water sensor of FIG. 1.

FIG. 4 is a left side view of the water sensor of FIG. 1.

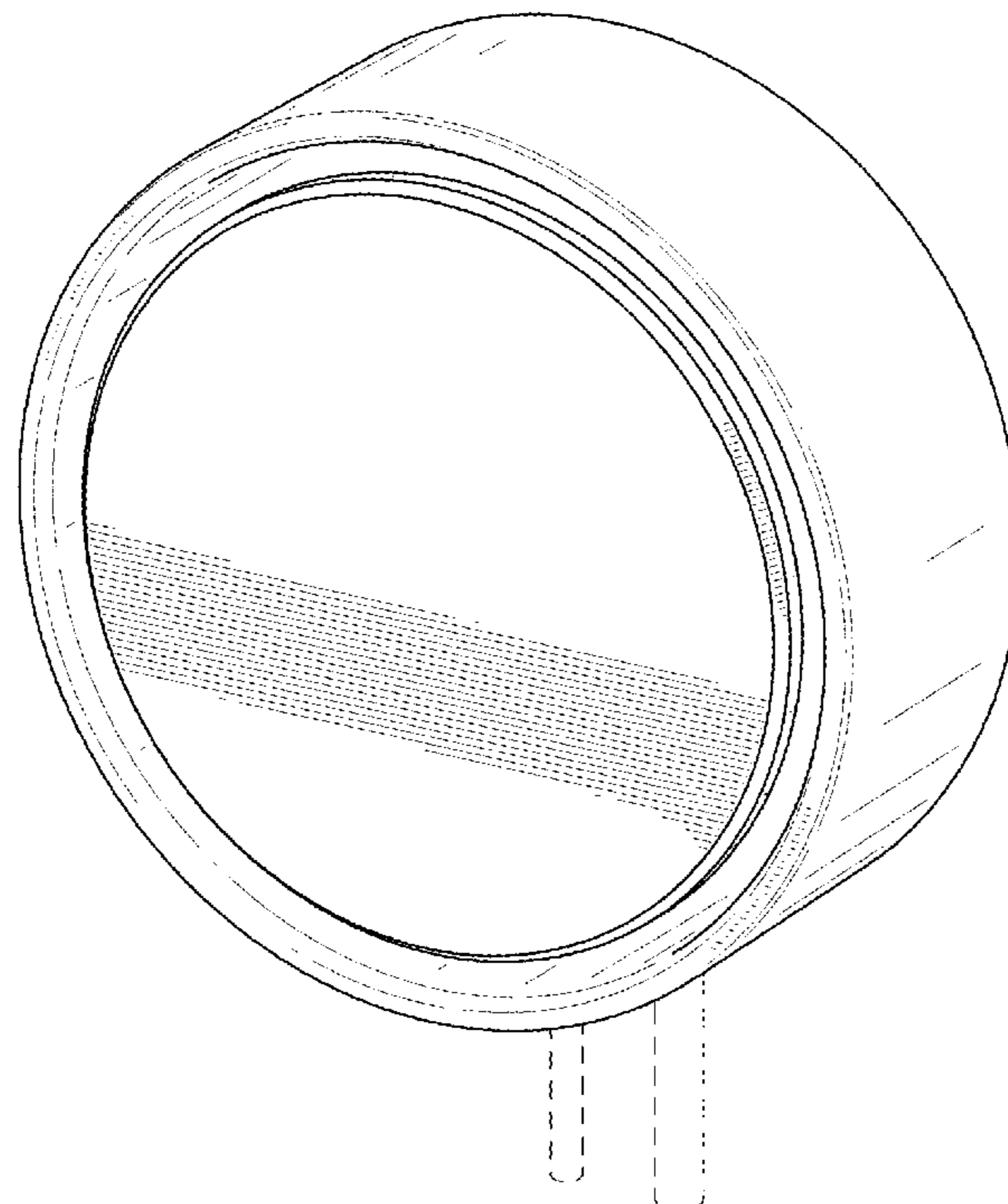
FIG. 5 is a right side view of the water sensor of FIG. 1.

FIG. 6 is a top view of the water sensor of FIG. 1; and,

FIG. 7 is a bottom view of the water sensor of FIG. 1.

The dashed lines illustrate environment that does not form a part of the present invention, and no claim is made to the material illustrated with dashed lines.

1 Claim, 7 Drawing Sheets



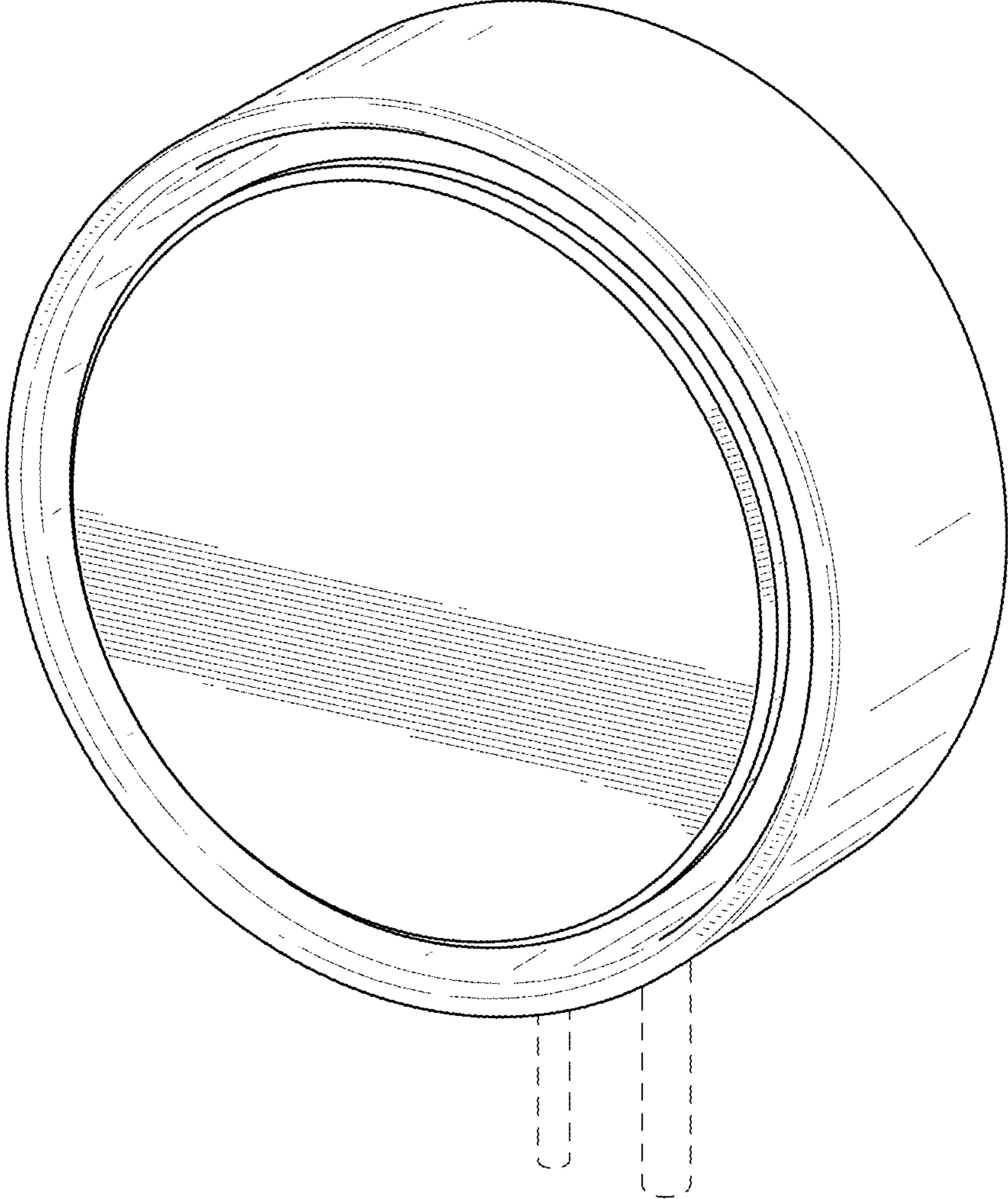


FIG.1

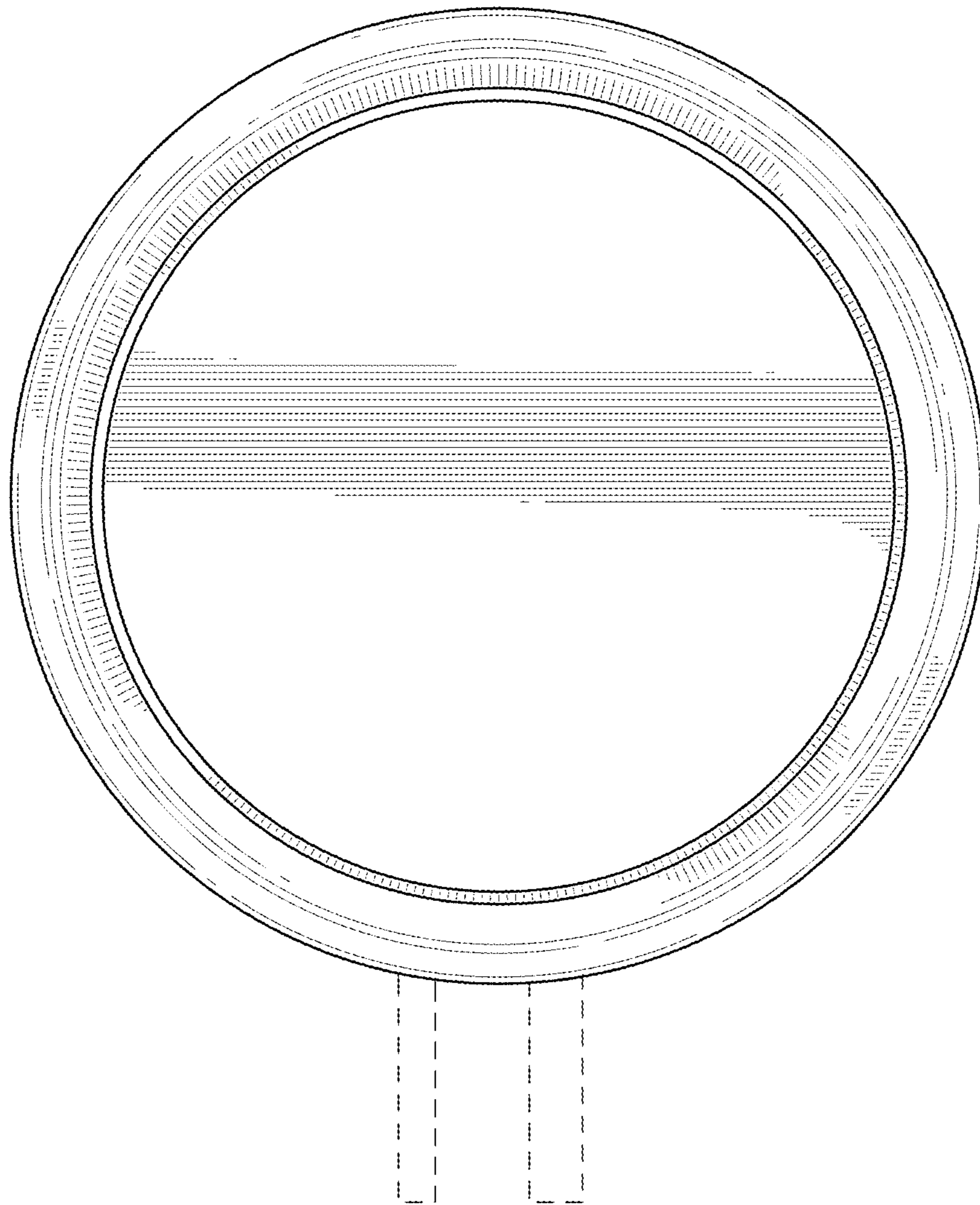


FIG.2

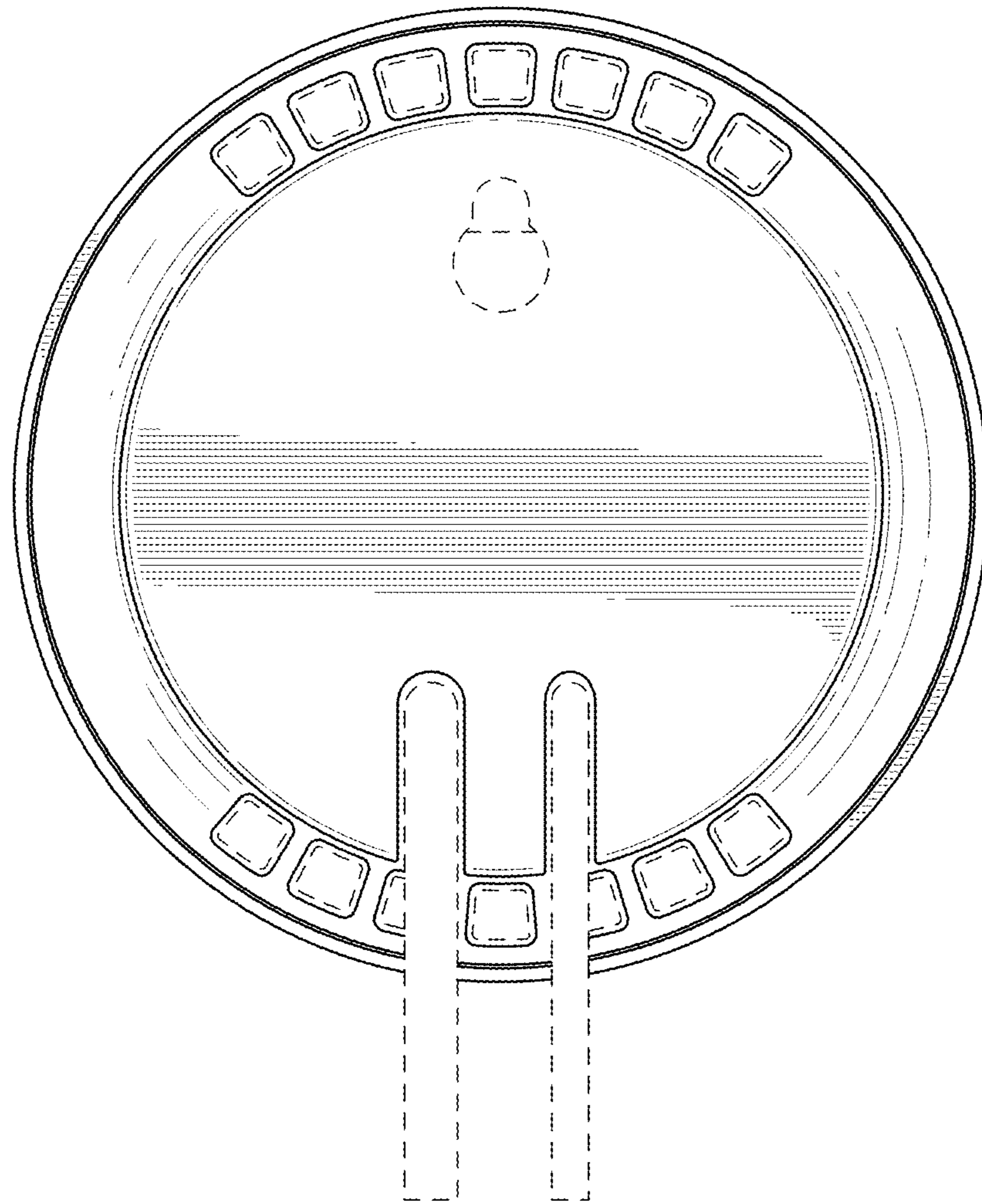


FIG.3

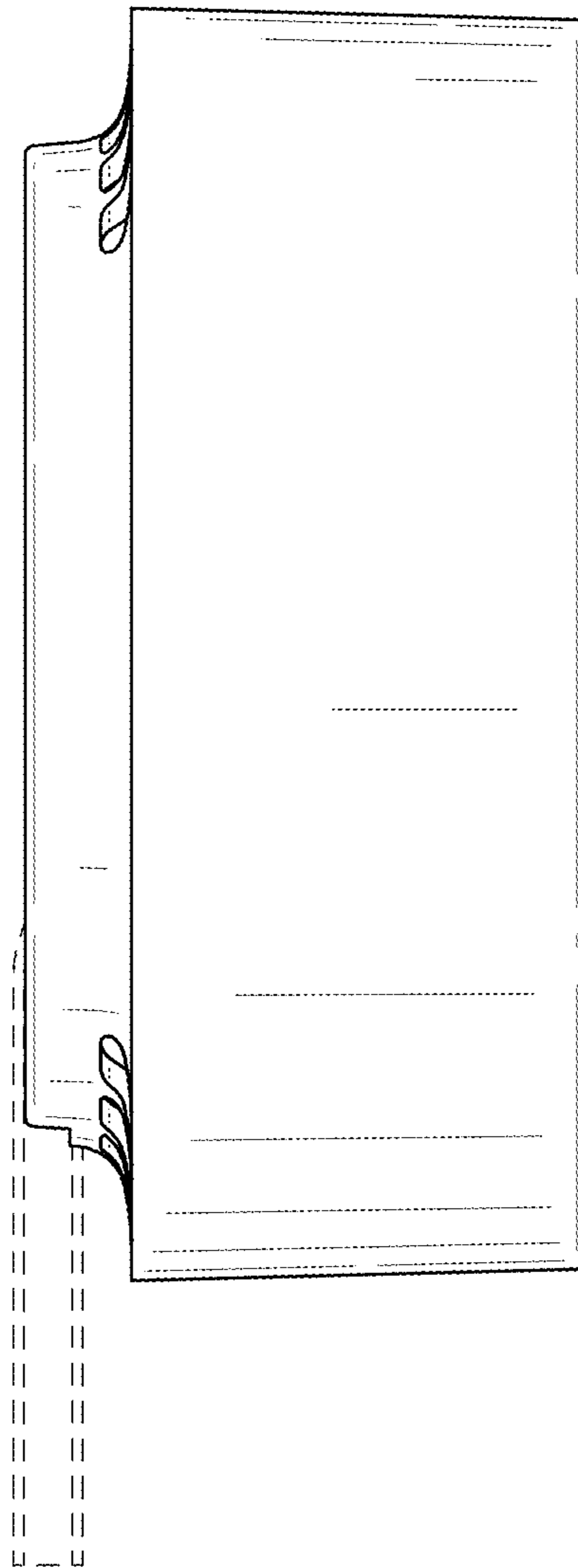


FIG.4

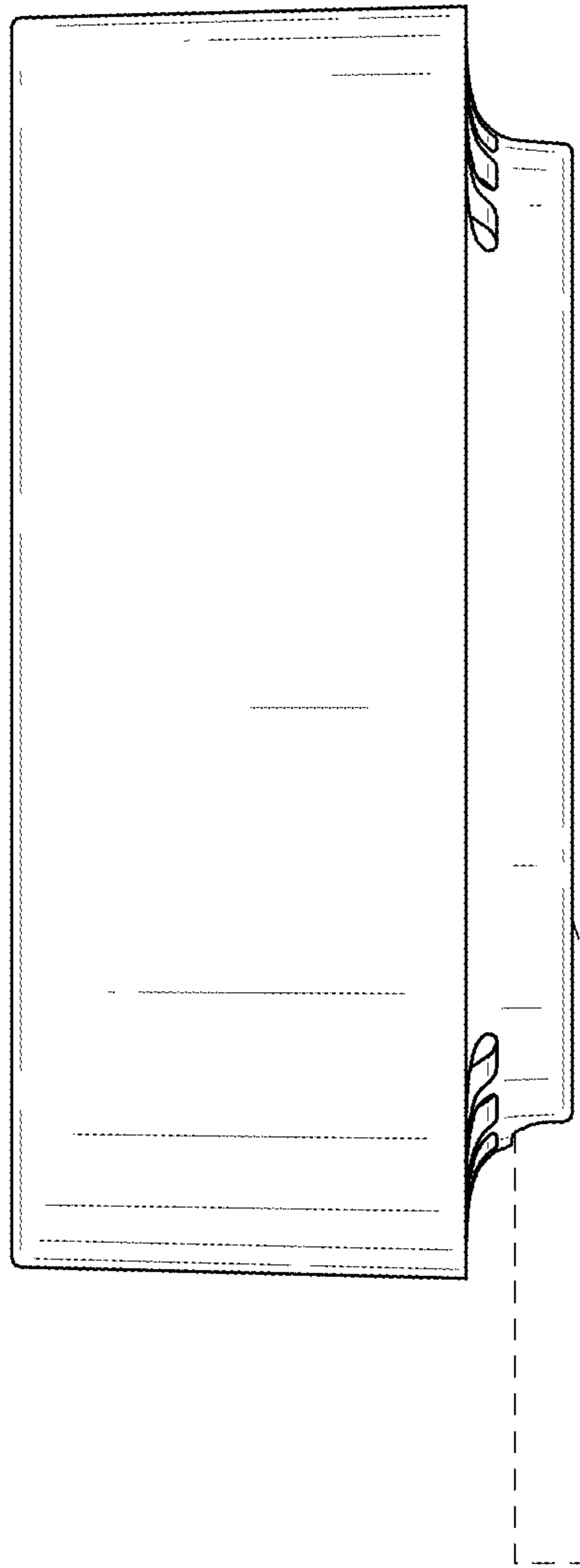


FIG.5

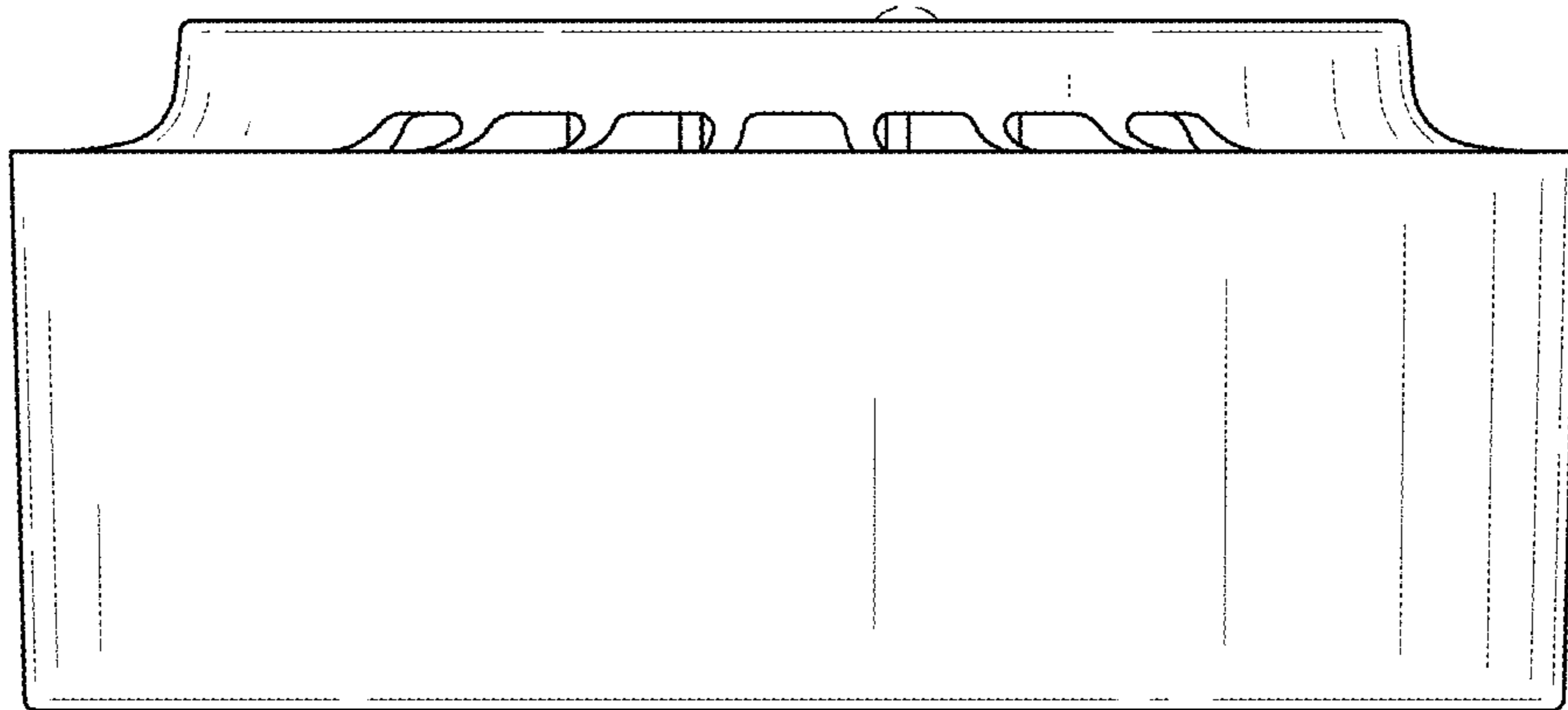


FIG.6

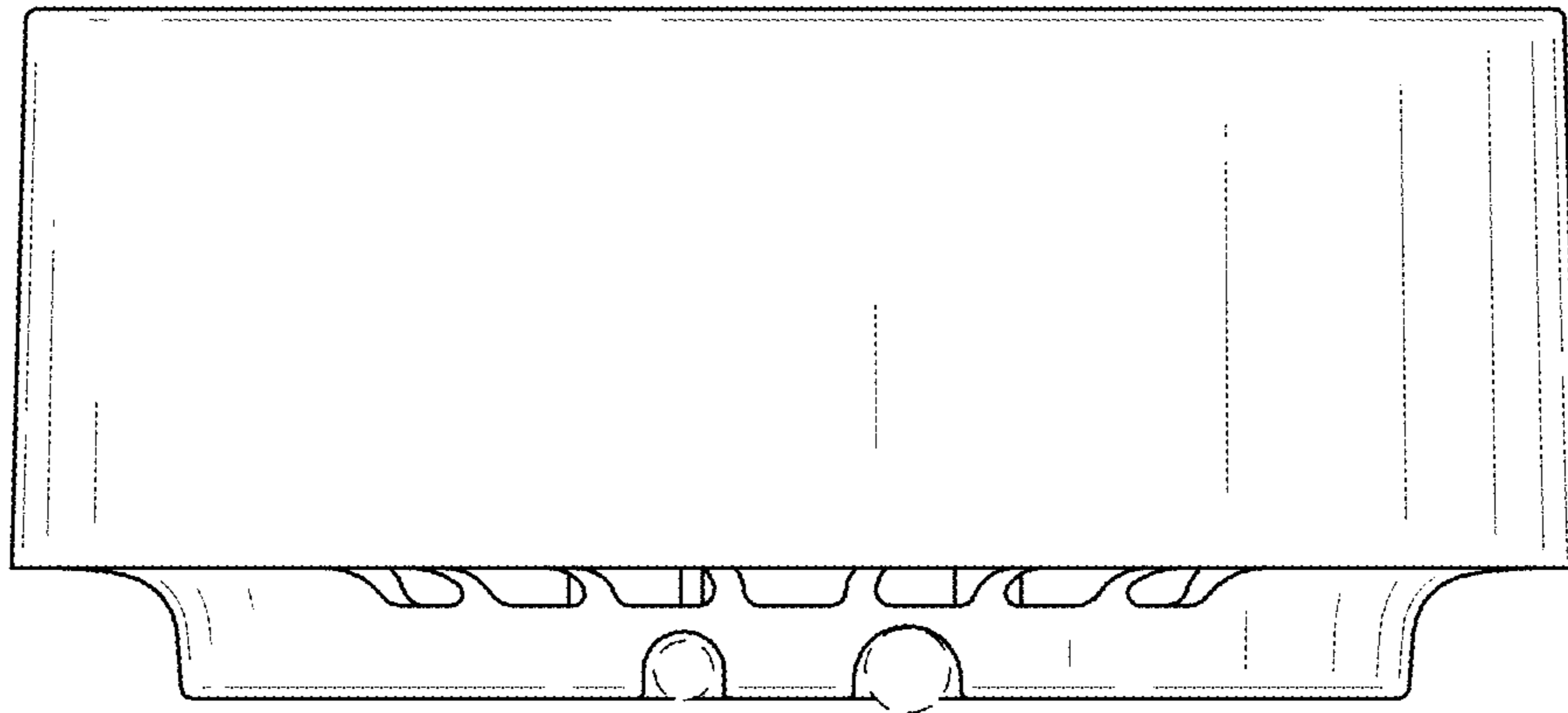


FIG.7