



US00D940578S

(12) **United States Design Patent**
Jungen et al.

(10) **Patent No.:** **US D940,578 S**

(45) **Date of Patent:** **** Jan. 11, 2022**

(54) **CONTROLLER AND FLOW SENSOR**

(71) Applicant: **BELIMO Holding AG**, Hinwil (CH)

(72) Inventors: **Walter Jungen**, Adliswil (CH); **Peter Dreher**, Meilen (CH); **Atilla Beker**, Wetzikon (CH)

(73) Assignee: **BELIMO HOLDING AG**, Hinwil (CH)

(**) Term: **15 Years**

(21) Appl. No.: **35/510,076**

(22) Filed: **Feb. 12, 2020**

(80) **Hague Agreement Data**

Int. Filing Date: **Feb. 12, 2020**
Int. Reg. No.: **DM/207330**
Int. Reg. Date: **Feb. 12, 2020**
Int. Reg. Pub. Date: **Aug. 14, 2020**

(30) **Foreign Application Priority Data**

Sep. 2, 2019 (CH) 144873

(51) **LOC (13) Cl.** **10-04**

(52) **U.S. Cl.**
USPC **D10/96**

(58) **Field of Classification Search**
USPC D10/96, 81
See application file for complete search history.

(56) **References Cited**

U.S. PATENT DOCUMENTS

D687,730 S * 8/2013 Fukano D10/96
D711,267 S * 8/2014 Tsuda D10/96
D787,354 S * 5/2017 Chrin, II D10/81

D809,950 S * 2/2018 Tabata D10/96
D824,789 S * 8/2018 Bernhardsson D10/96
D832,123 S * 10/2018 Nakai D10/96
D838,615 S * 1/2019 Tschudin D10/96
D838,616 S * 1/2019 Tschudin D10/96
D867,913 S * 11/2019 Hietala D10/96
D883,826 S * 5/2020 Hendey, Sr. D10/96
D886,654 S * 6/2020 Wada D10/96
D891,960 S * 8/2020 Angus G01L 19/0023
D10/96
D906,144 S * 12/2020 Angus D10/96

* cited by examiner

Primary Examiner — George D. Kirschbaum

(74) *Attorney, Agent, or Firm* — Pauley Erickson & Swanson

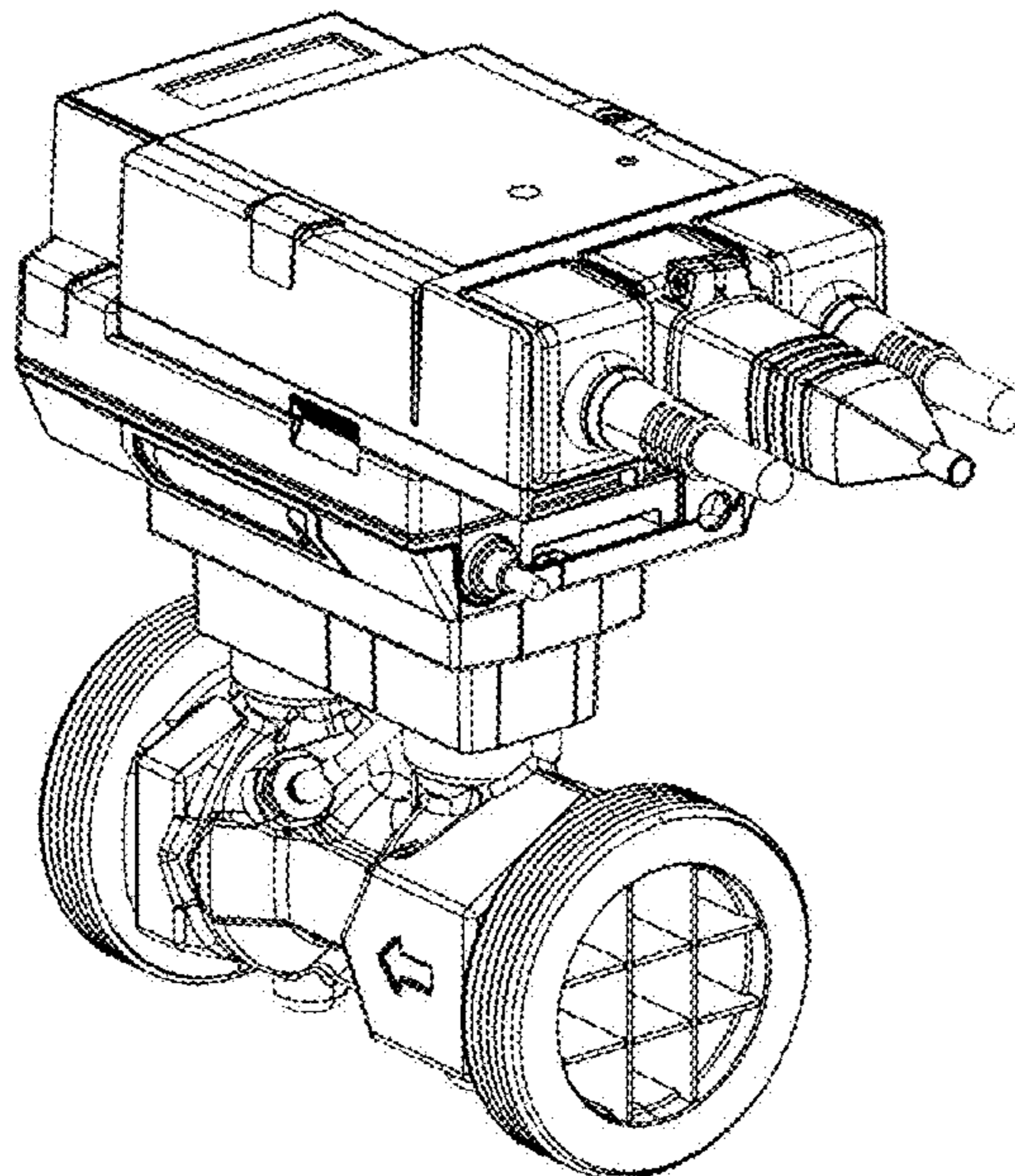
(57) **CLAIM**

The ornamental design for controller and flow sensor, as shown and described.

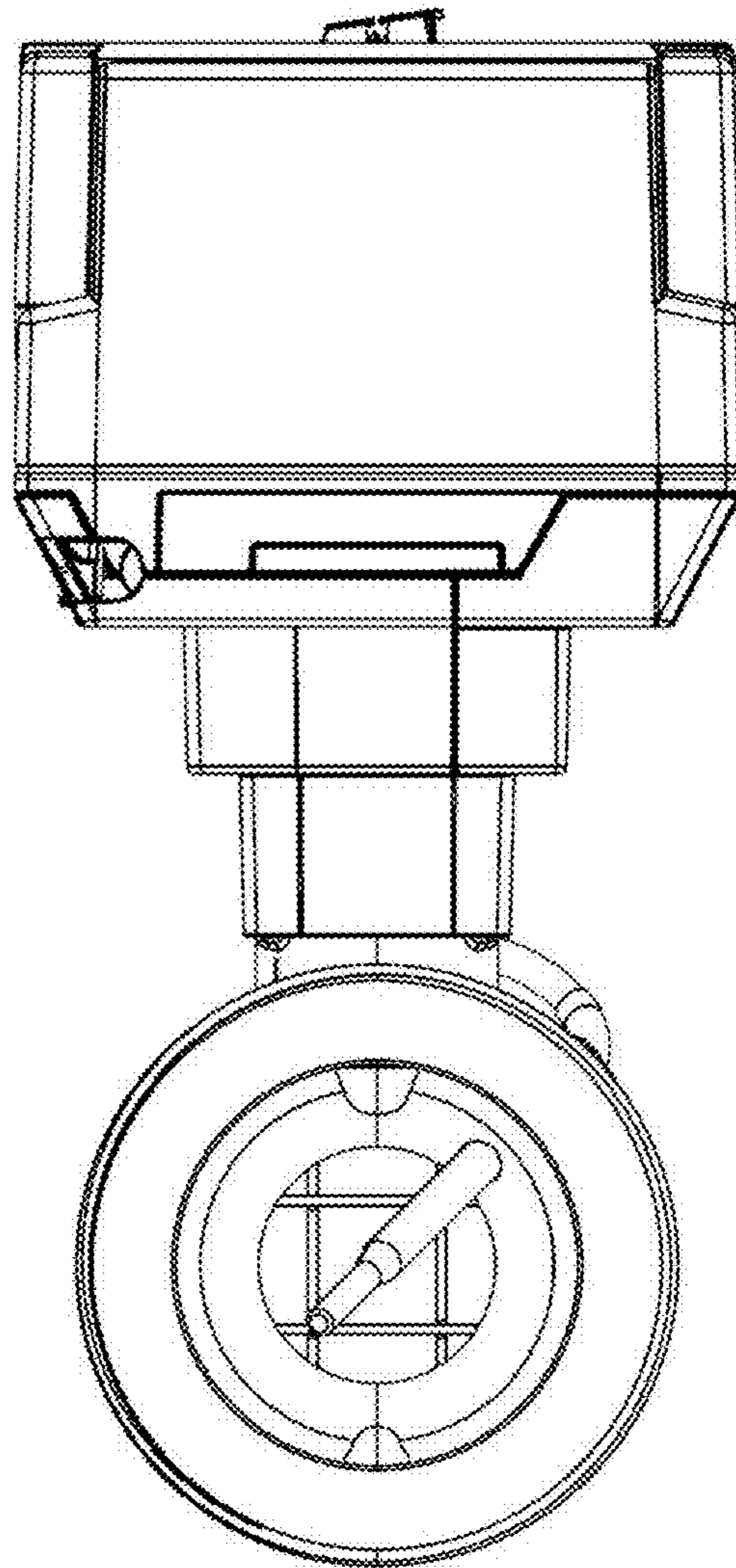
DESCRIPTION

- 1.-2. Controller and flow sensor
- 1.1 : Left
- 1.2 : Right
- 1.3 : Bottom
- 1.4 : Top
- 1.5 : Front
- 1.6 : Back
- 1.7 : Perspective
- 1.8 : Perspective
- 2.1 : Left
- 2.2 : Right
- 2.3 : Bottom
- 2.4 : Top
- 2.5 : Front
- 2.6 : Back
- 2.7 : Perspective

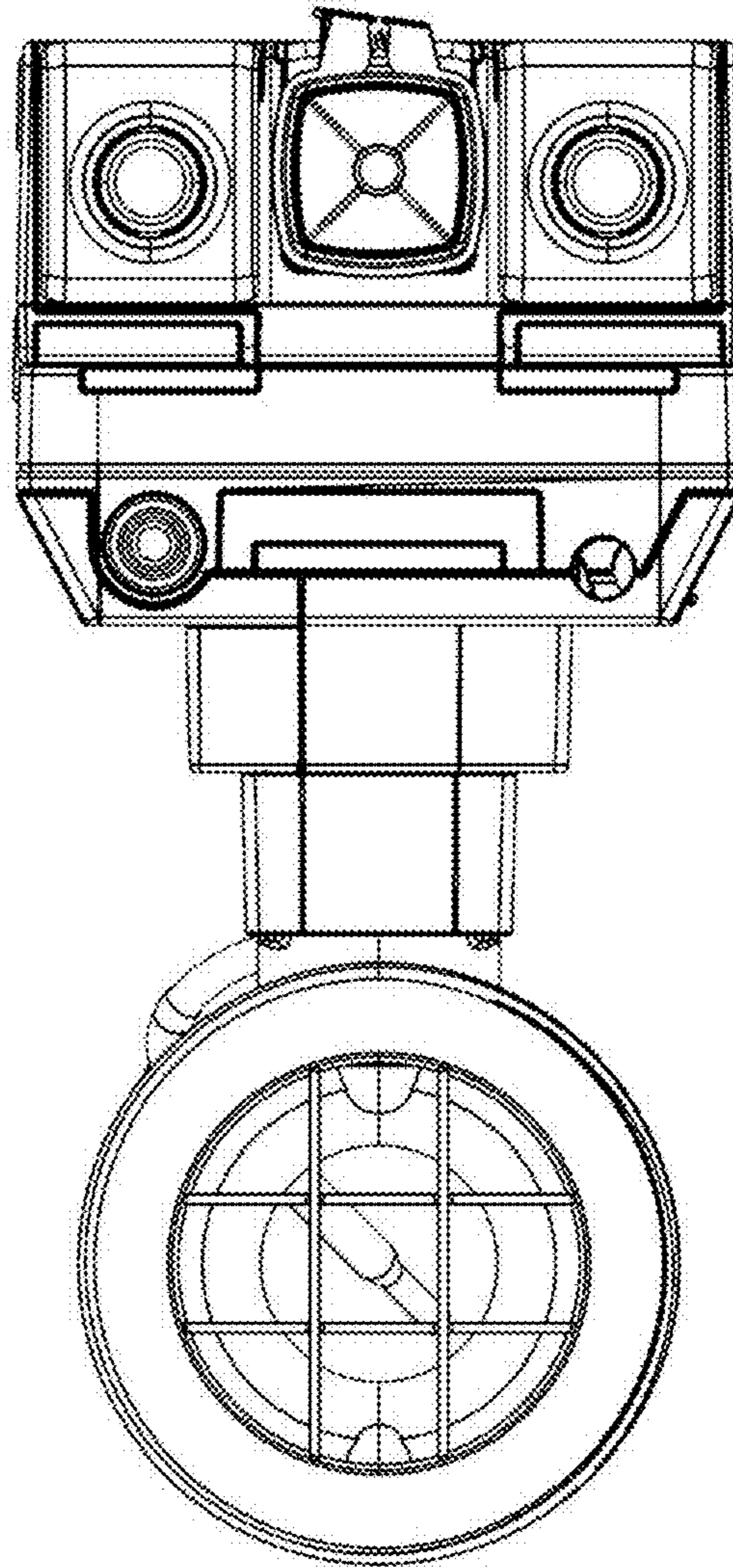
1 Claim, 15 Drawing Sheets



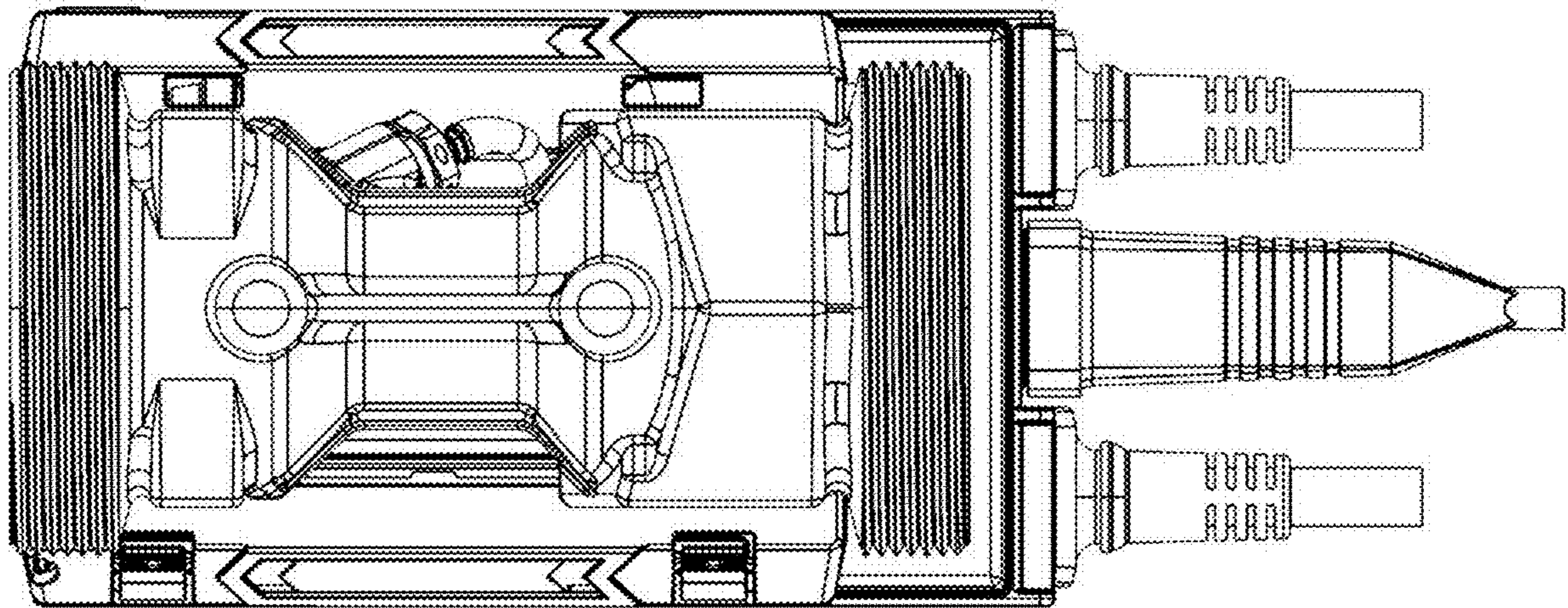
1.1



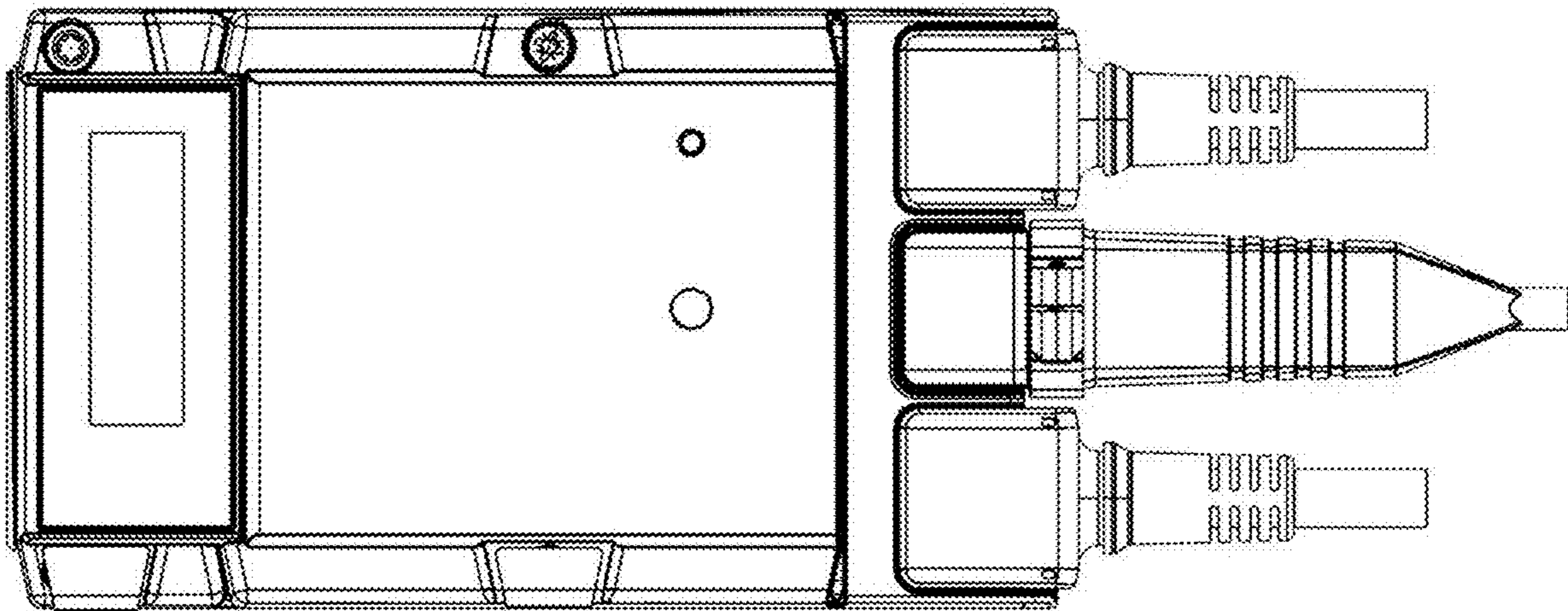
1.2



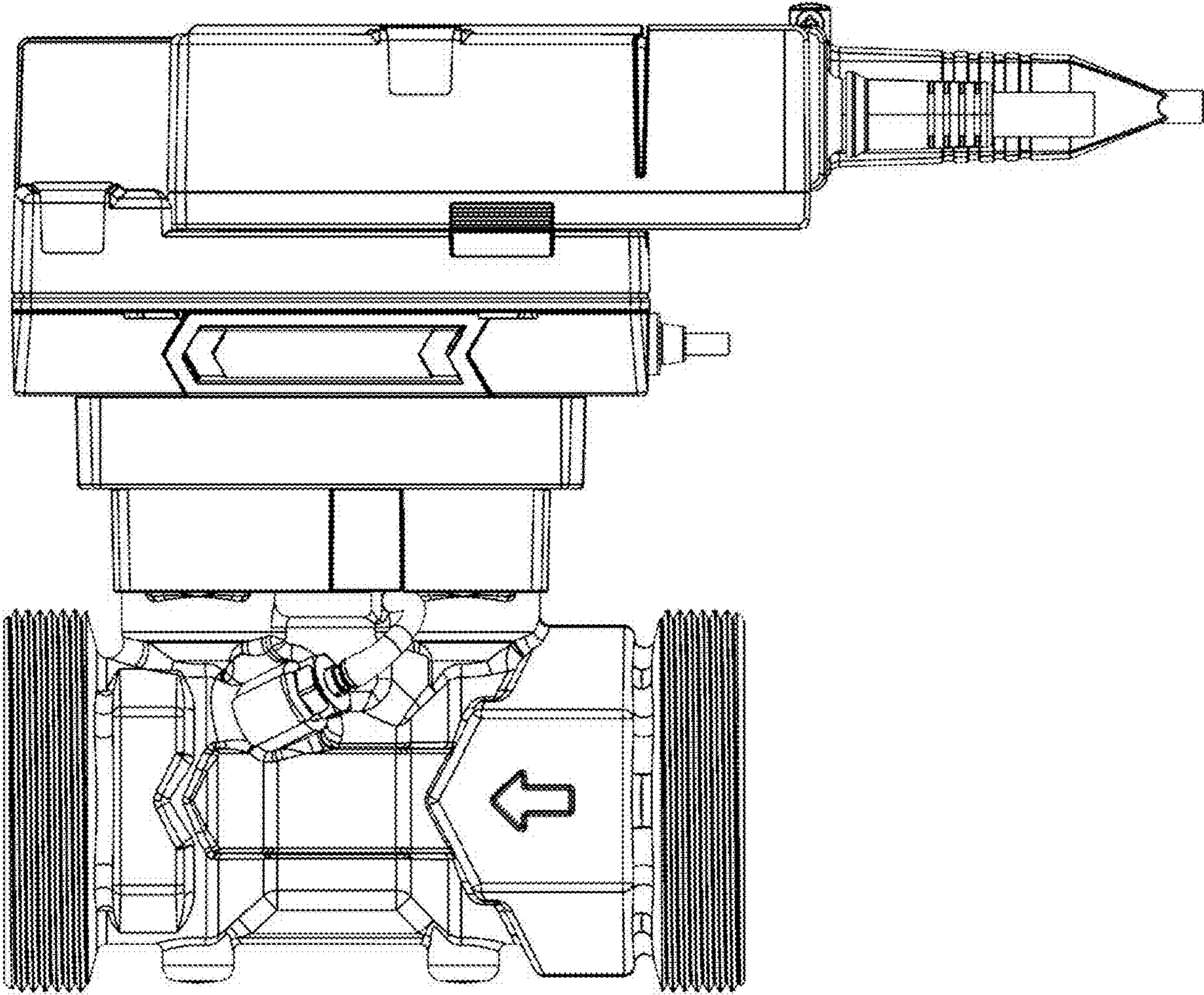
1.3



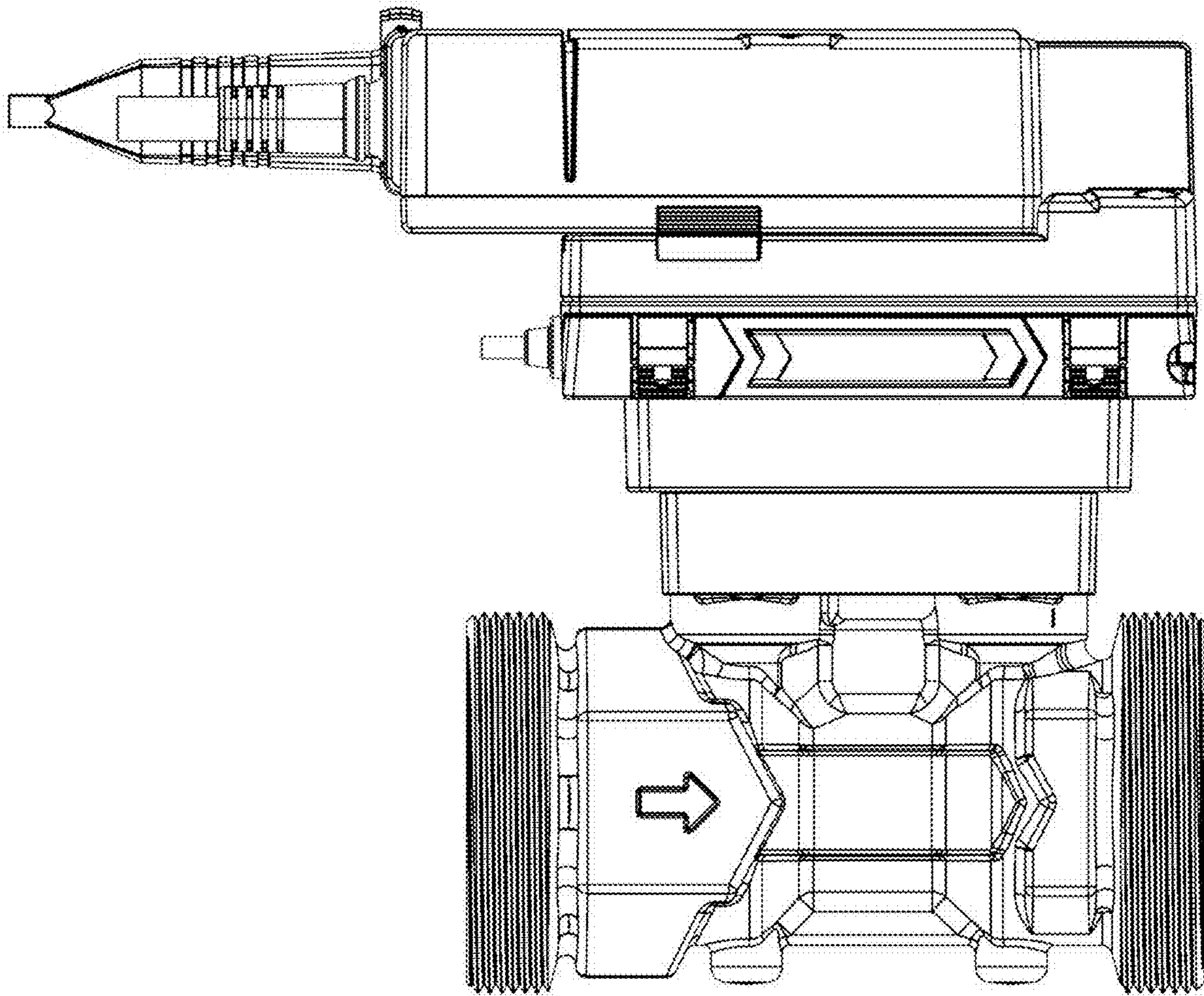
1.4



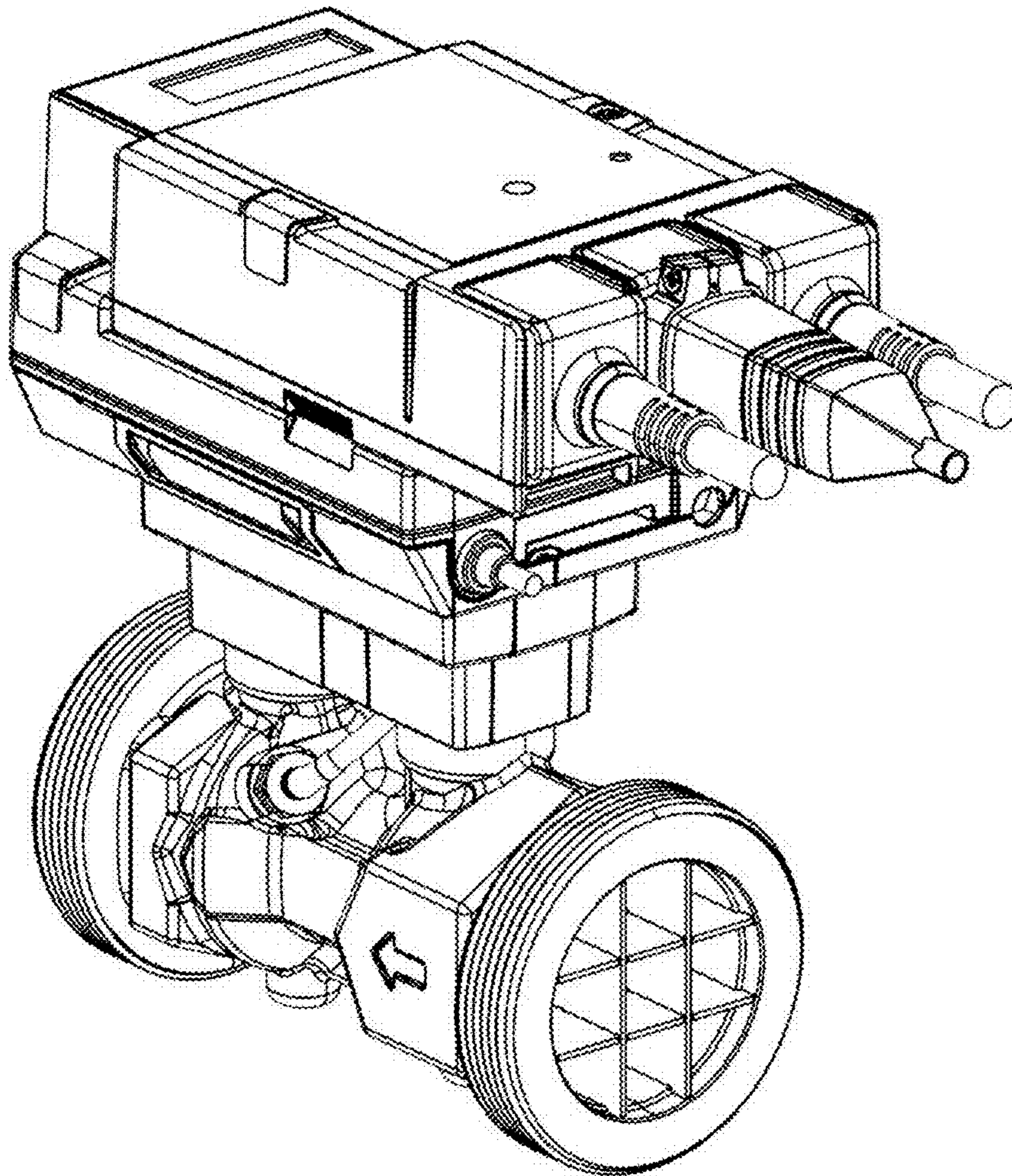
1.5



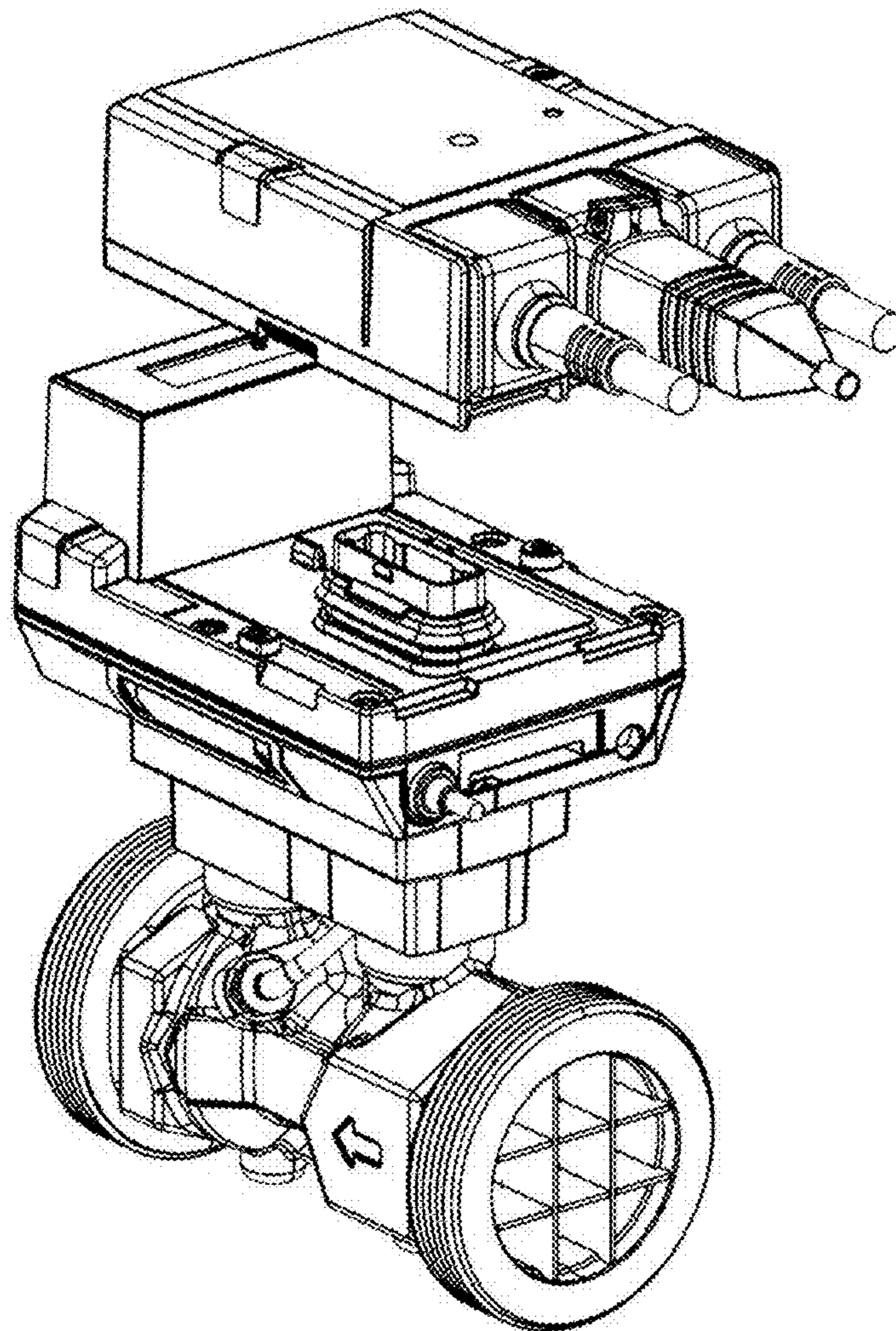
1.6



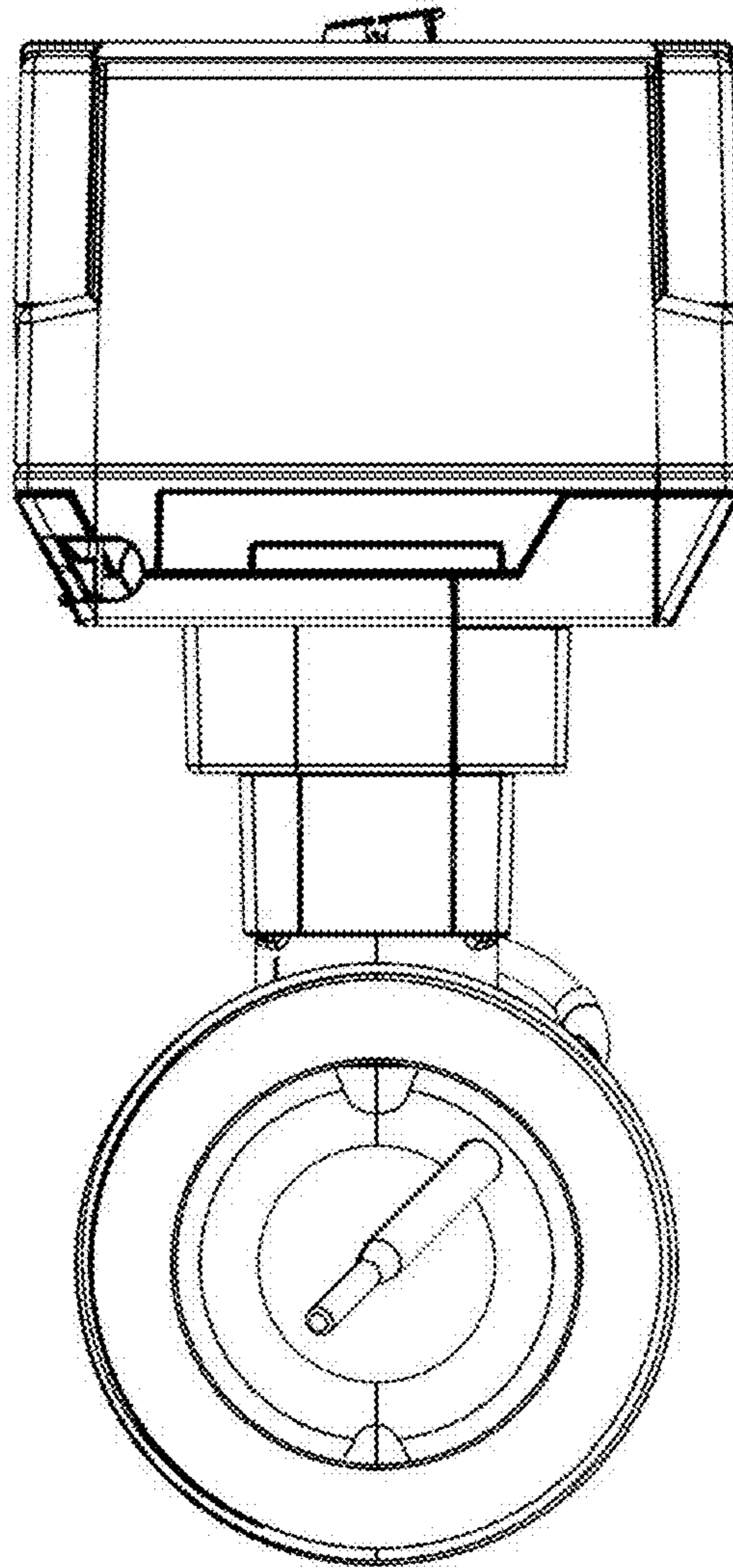
1.7



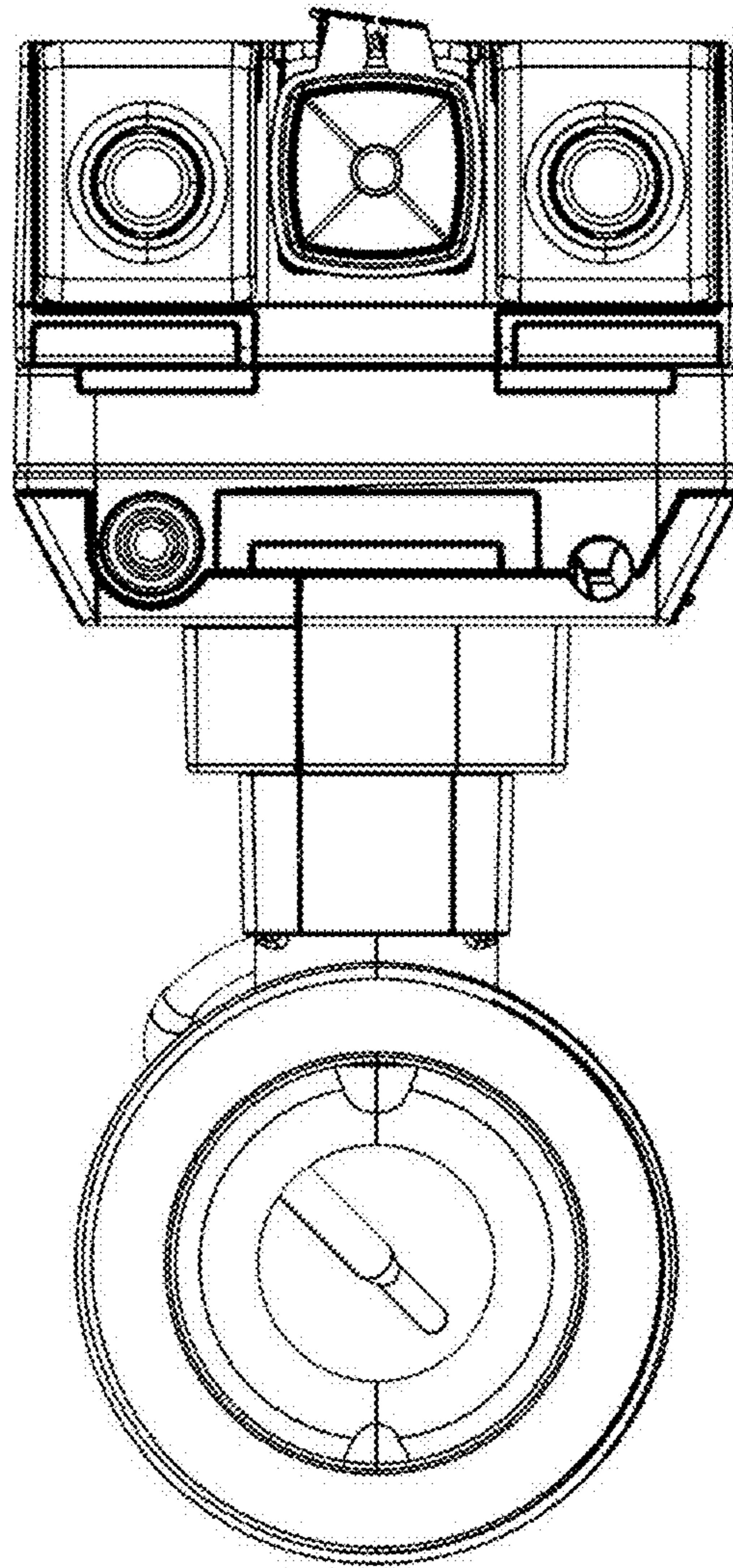
1.8



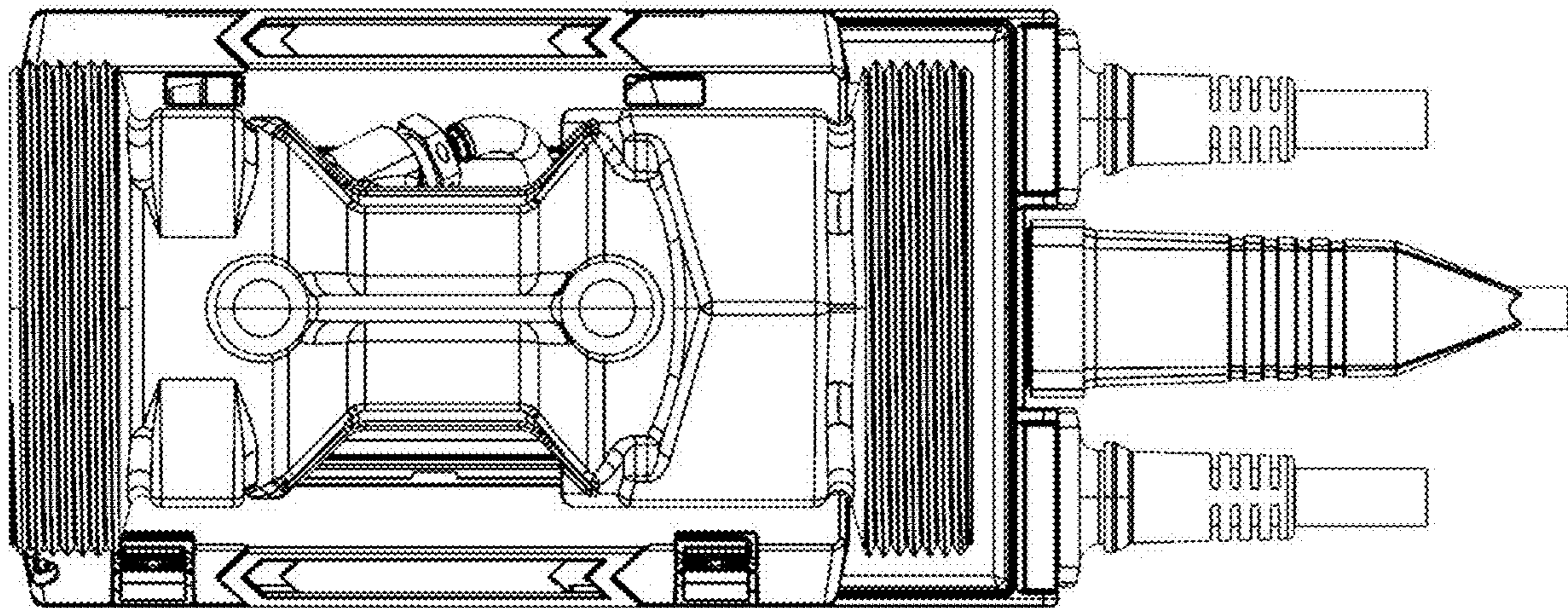
2.1



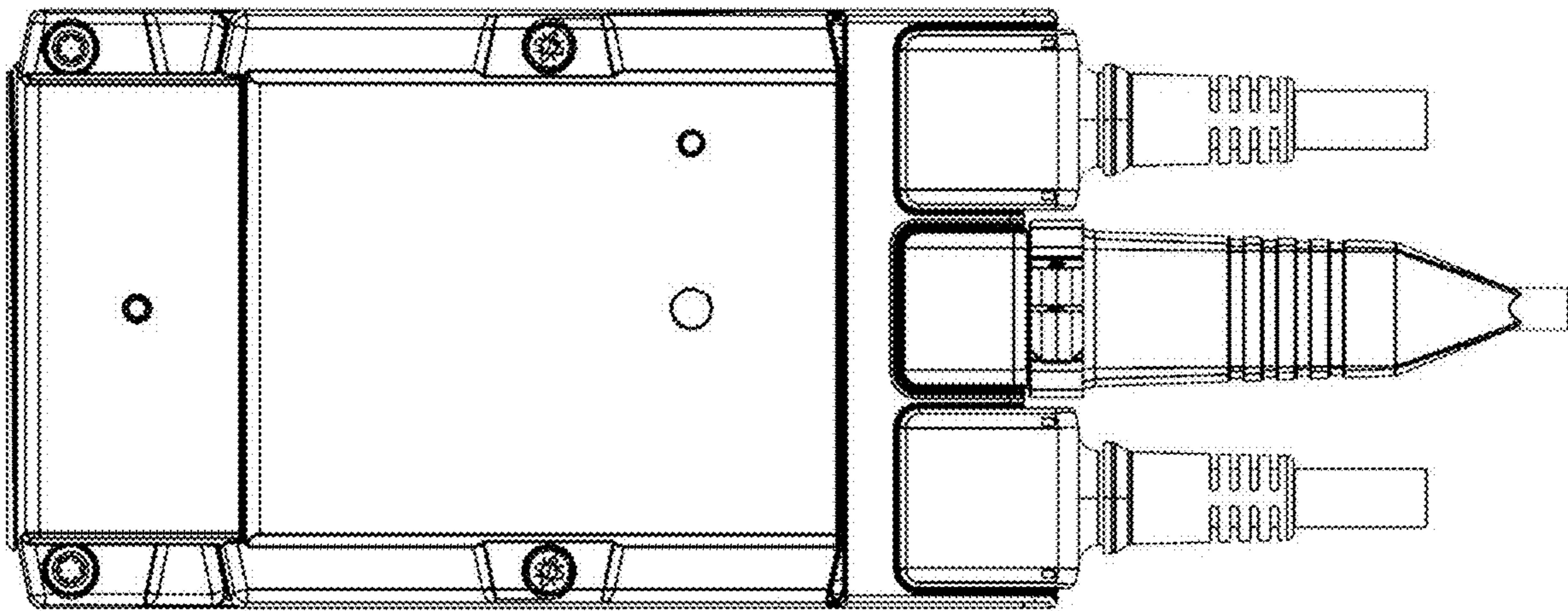
2.2



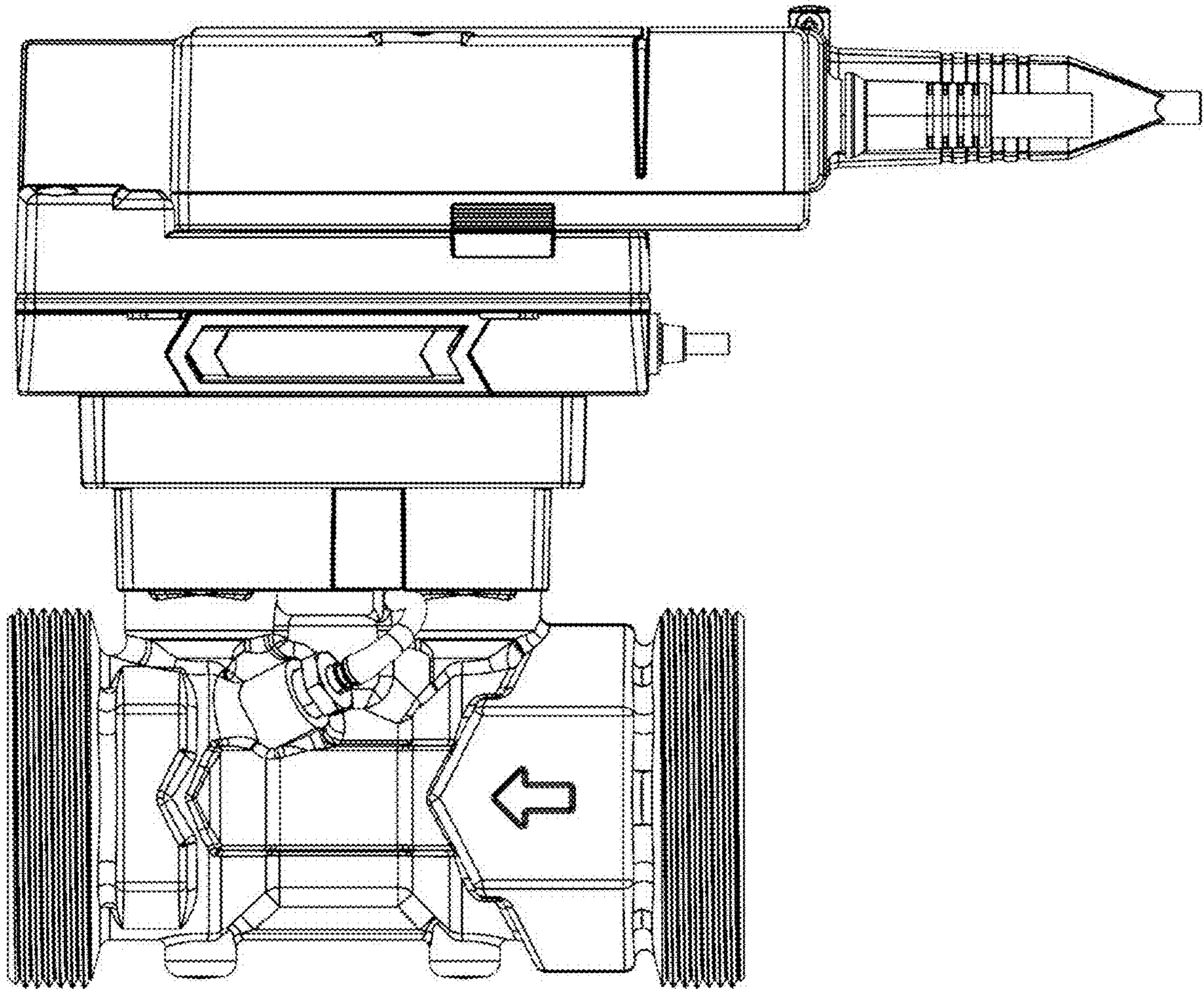
2.3



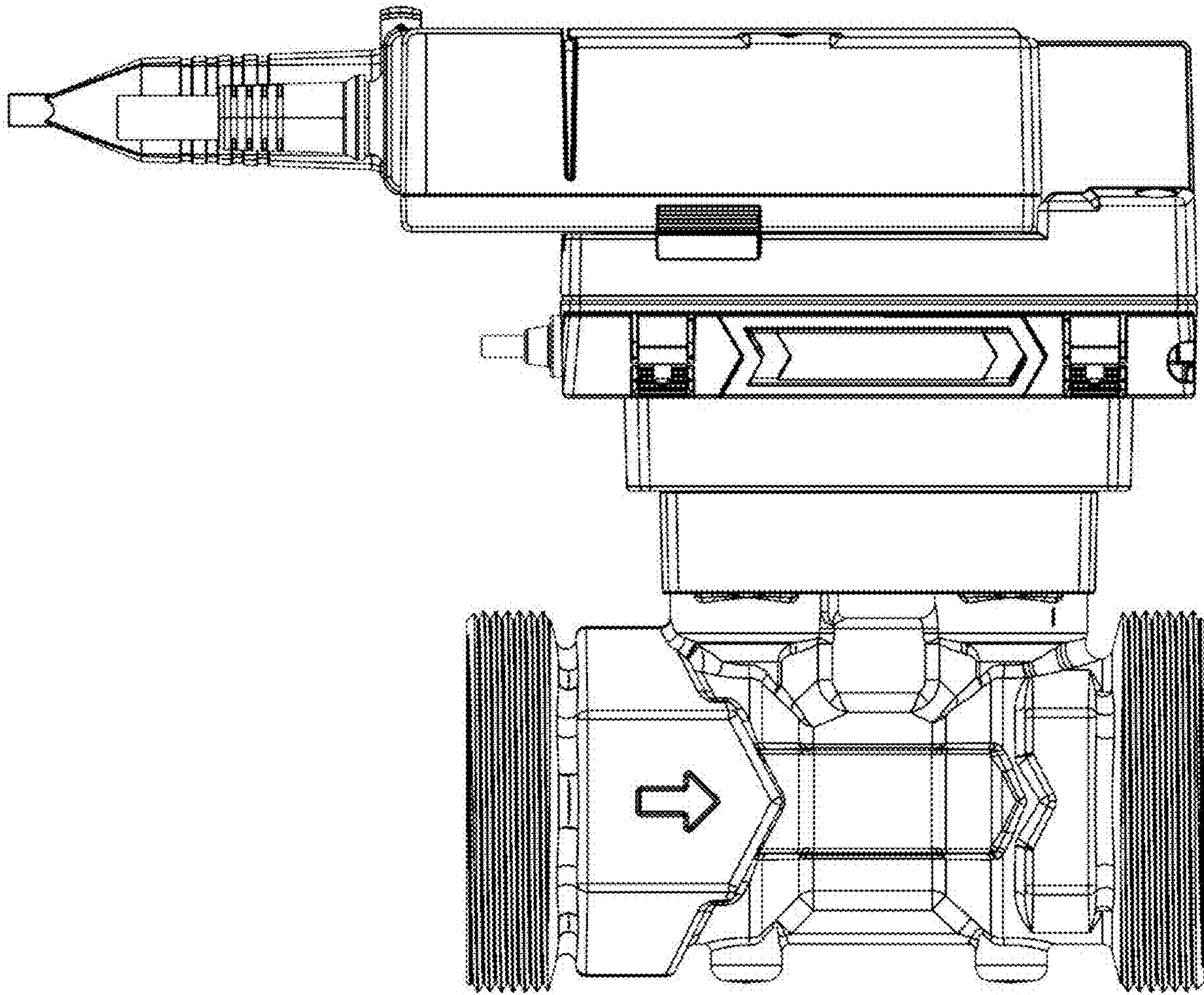
2.4



2.5



2.6



2.7

