



US00D940575S

(12) **United States Design Patent**  
**Deem**

(10) **Patent No.:** **US D940,575 S**

(45) **Date of Patent:** **\*\* Jan. 11, 2022**

(54) **PUMP CONTROLLER**

(71) Applicant: **Cole-Parmer Instrument Company LLC**, Vernon Hills, IL (US)

(72) Inventor: **Jeffrey Deem**, Lake in the Hills, IL (US)

(73) Assignee: **COLE-PARMER INSTRUMENT COMPANY LLC**, Vernon Hills, IL (US)

(\*\*) Term: **15 Years**

(21) Appl. No.: **29/722,286**

(22) Filed: **Jan. 28, 2020**

(51) **LOC (13) Cl.** ..... **15-02**

(52) **U.S. Cl.**  
USPC ..... **D10/49**

(58) **Field of Classification Search**  
USPC ..... D10/46, 49; D13/123, 158, 162, 162.1; D15/7, 9; D23/245  
CPC ..... F04B 51/00; F04B 49/06; F04B 43/00; F04B 43/0081; G05B 15/00; G05B 15/02  
See application file for complete search history.

(56) **References Cited**

**U.S. PATENT DOCUMENTS**

D578,906 S \* 10/2008 Gatz ..... D10/46  
D612,503 S \* 3/2010 Johnston ..... D24/186  
D638,858 S \* 5/2011 Johnson ..... D15/7  
D679,259 S \* 4/2013 Franchini ..... D13/162.1

D823,920 S \* 7/2018 Wiegmann ..... D16/208  
D868,957 S \* 12/2019 Chase ..... D24/107  
D871,455 S \* 12/2019 Crowsley ..... D15/7  
D904,906 S \* 12/2020 Lindgren ..... D10/49  
2021/0102534 A1 \* 4/2021 Bishop ..... F04B 49/065

\* cited by examiner

*Primary Examiner* — Leanne Was-Englehart

(74) *Attorney, Agent, or Firm* — Arent Fox LLP

(57) **CLAIM**

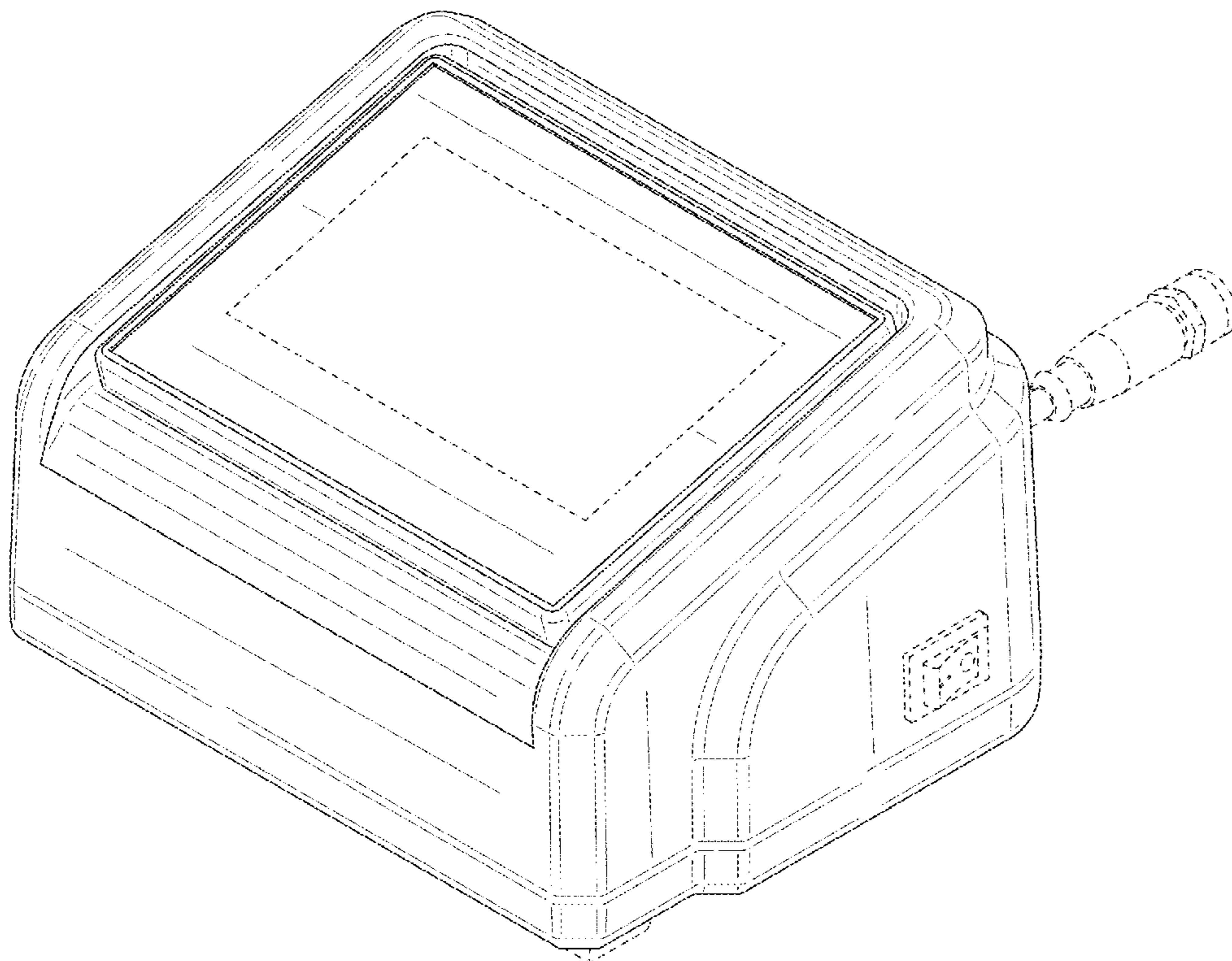
The ornamental design for a pump controller, as shown and described.

**DESCRIPTION**

FIG. 1 is a front right perspective view of a pump controller showing our new design;  
FIG. 2 is a front view of the pump controller shown in FIG. 1;  
FIG. 3 is a rear view of the pump controller shown in FIG. 1;  
FIG. 4 is a left side view of the pump controller shown in FIG. 1;  
FIG. 5 is a right side view of the pump controller shown in FIG. 1;  
FIG. 6 is a top view of the pump controller shown in FIG. 1; and,  
FIG. 7 is a bottom view of the pump controller shown in FIG. 1.

The broken lines shown in the figures are included for the purpose of illustrating portions of the pump controller and form no part of the claimed design.

**1 Claim, 7 Drawing Sheets**



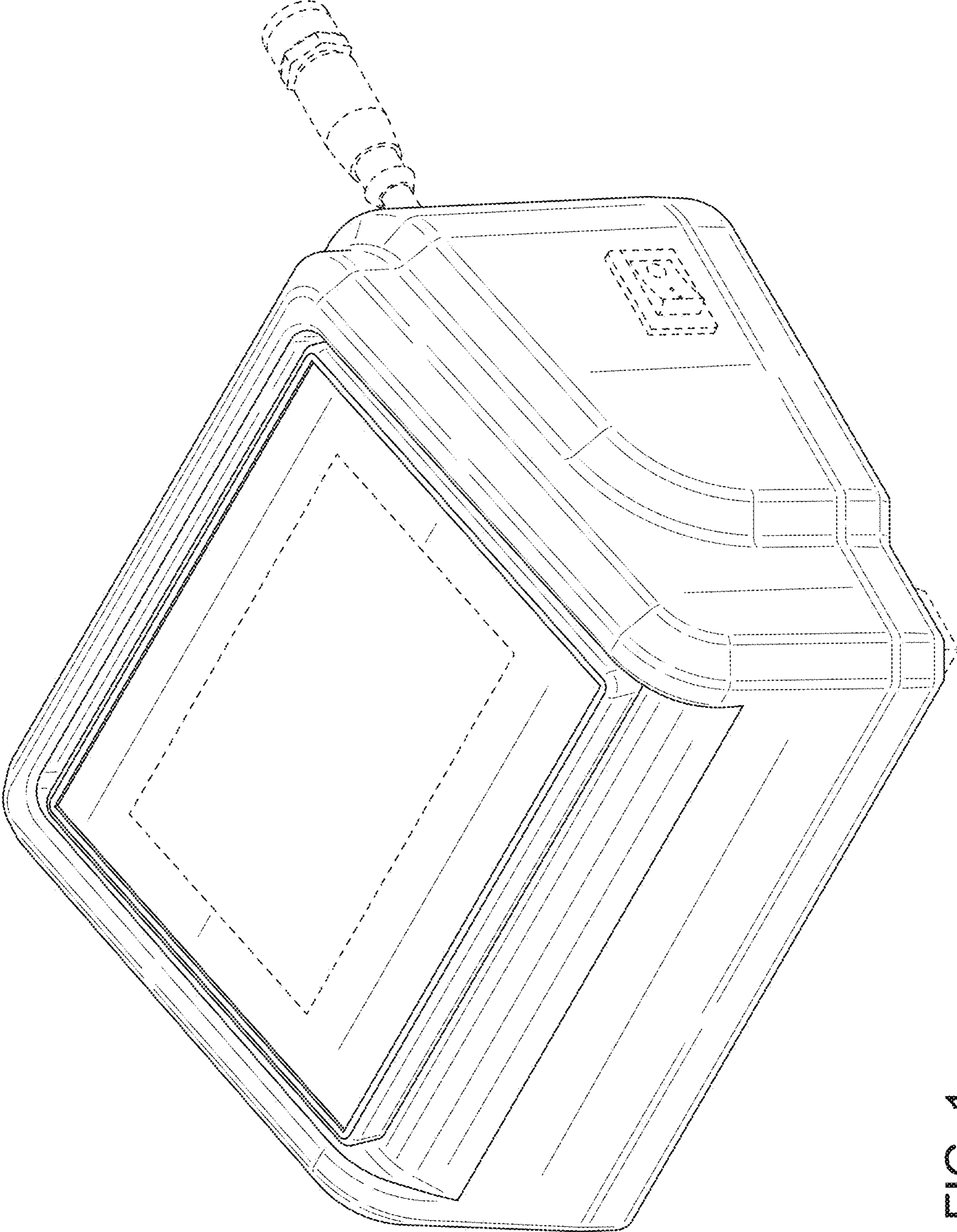


FIG. 1

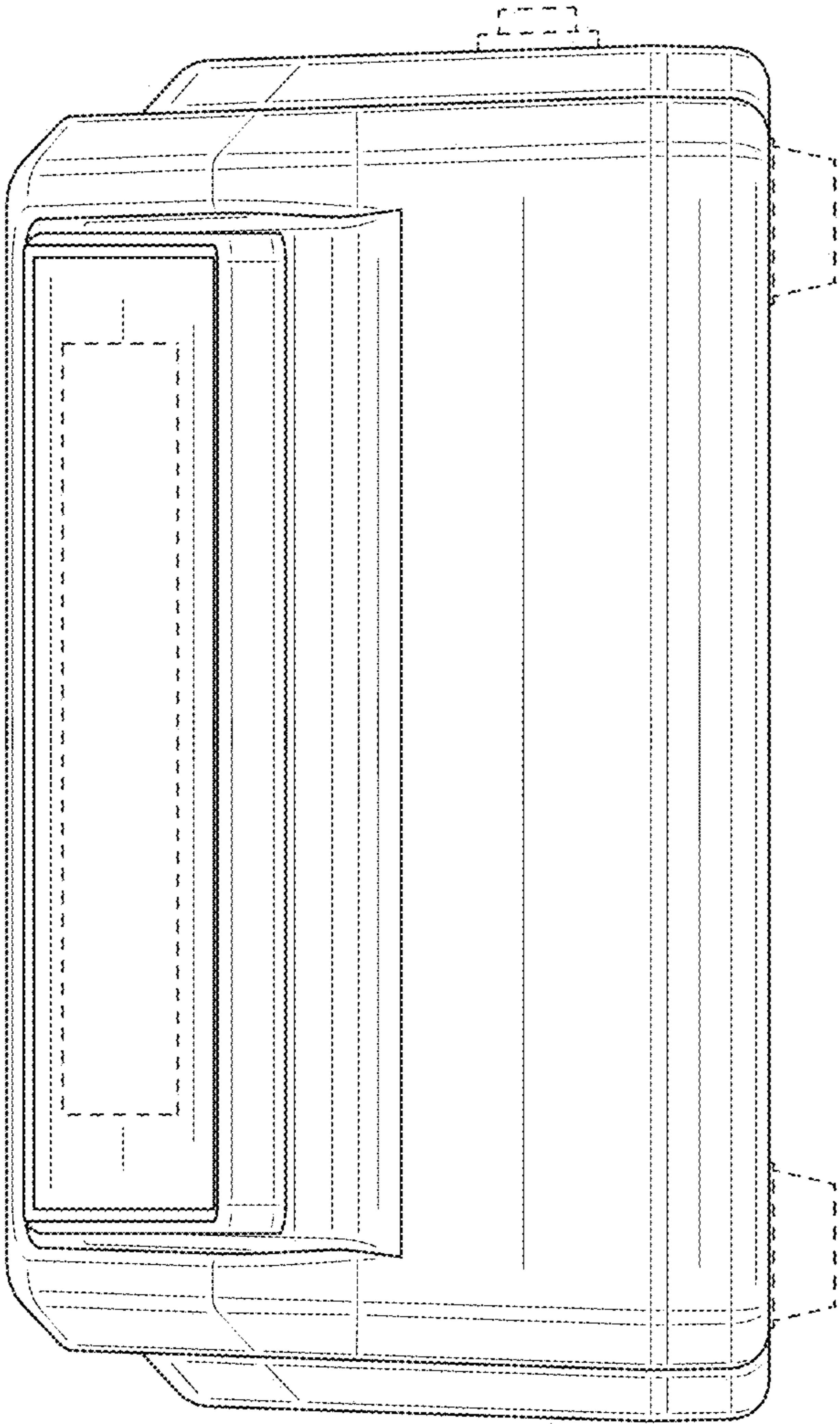


FIG. 2

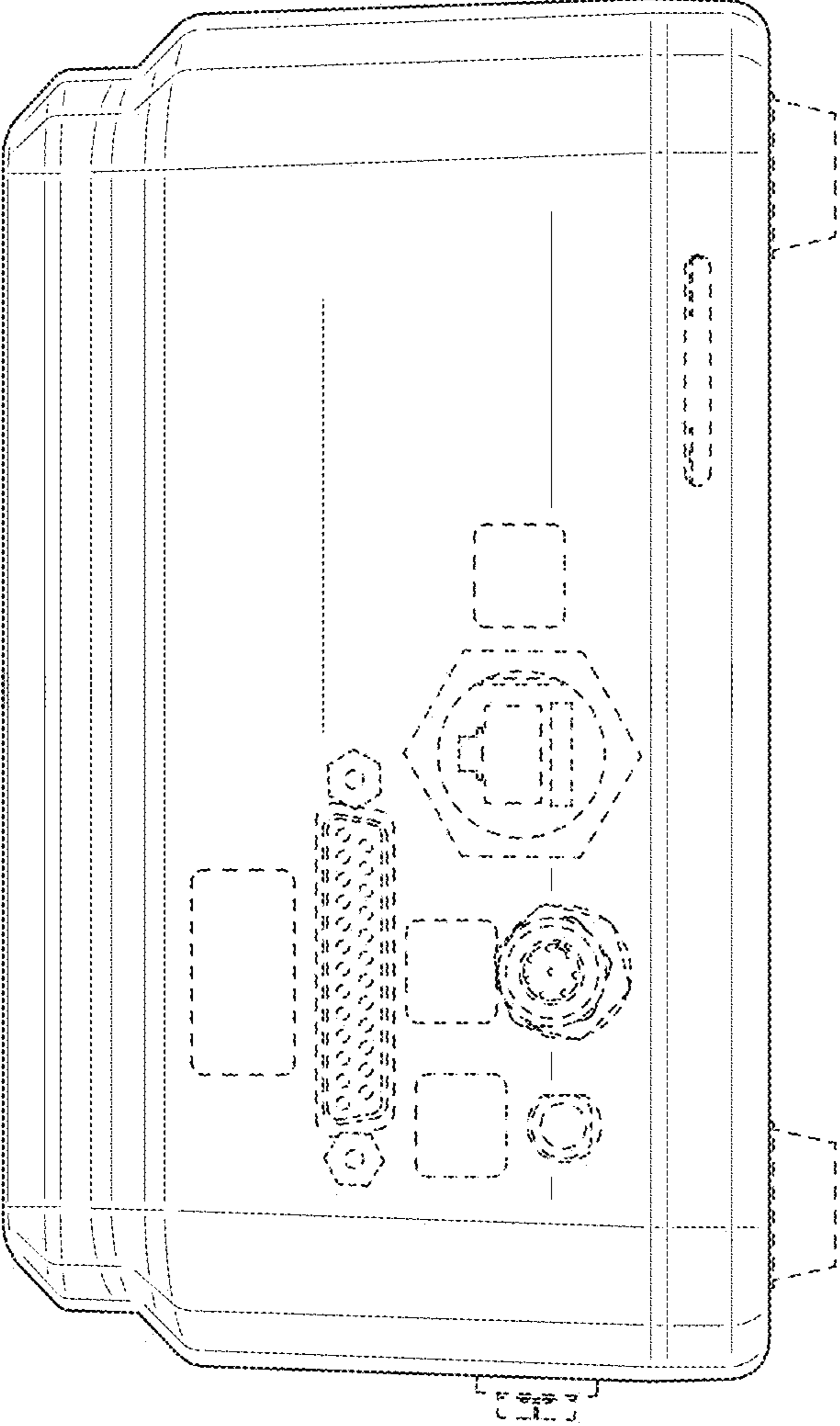


FIG. 3

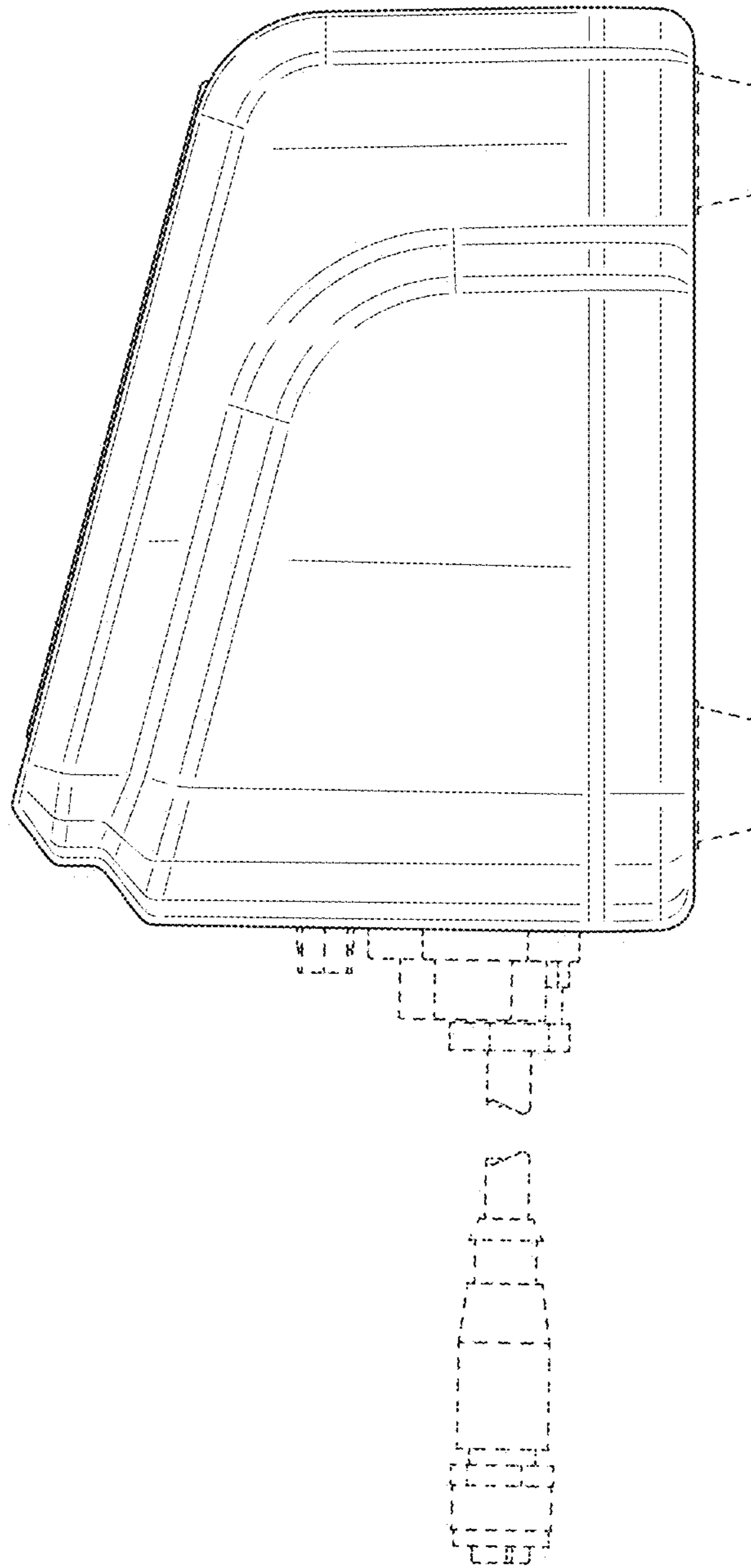


FIG. 4

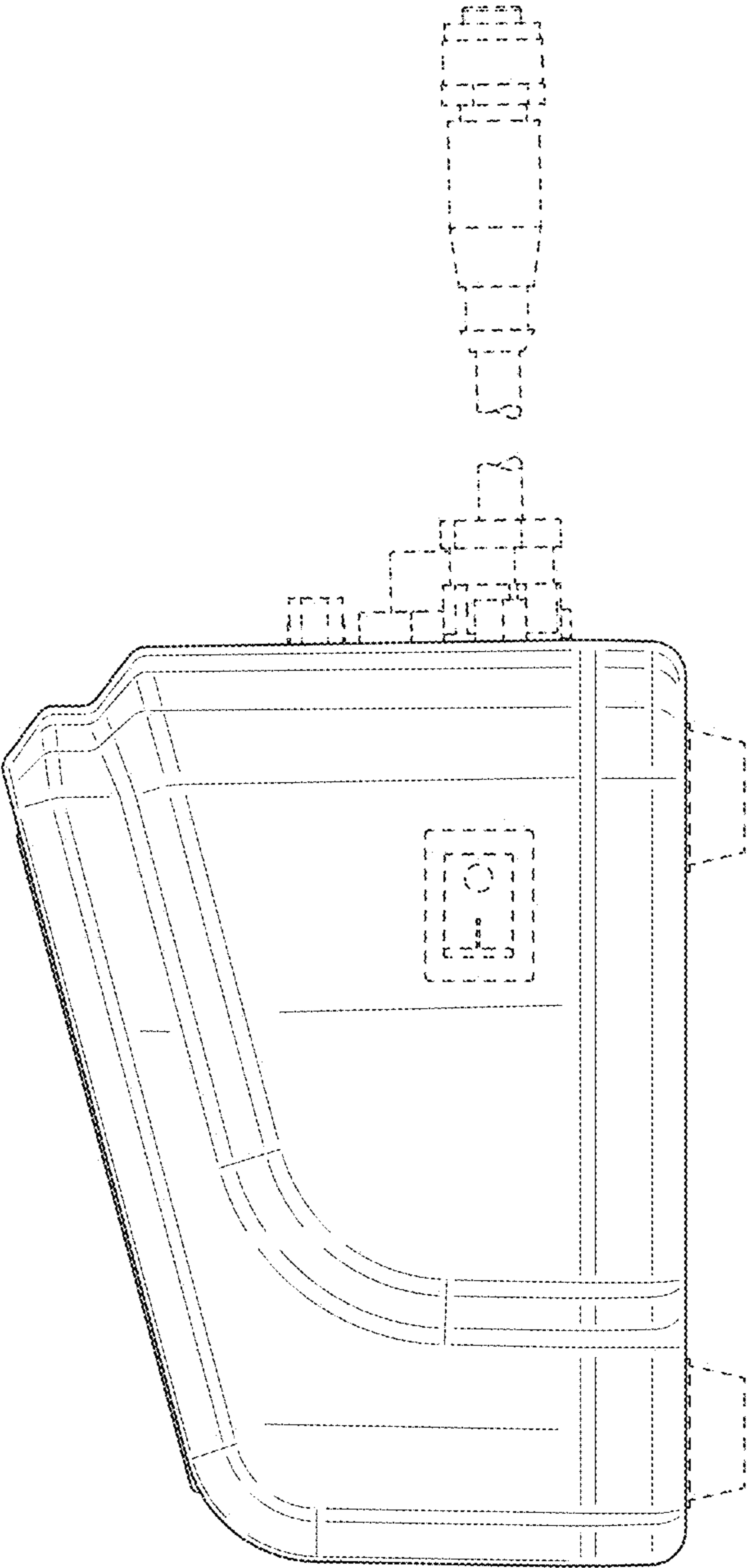


FIG. 5

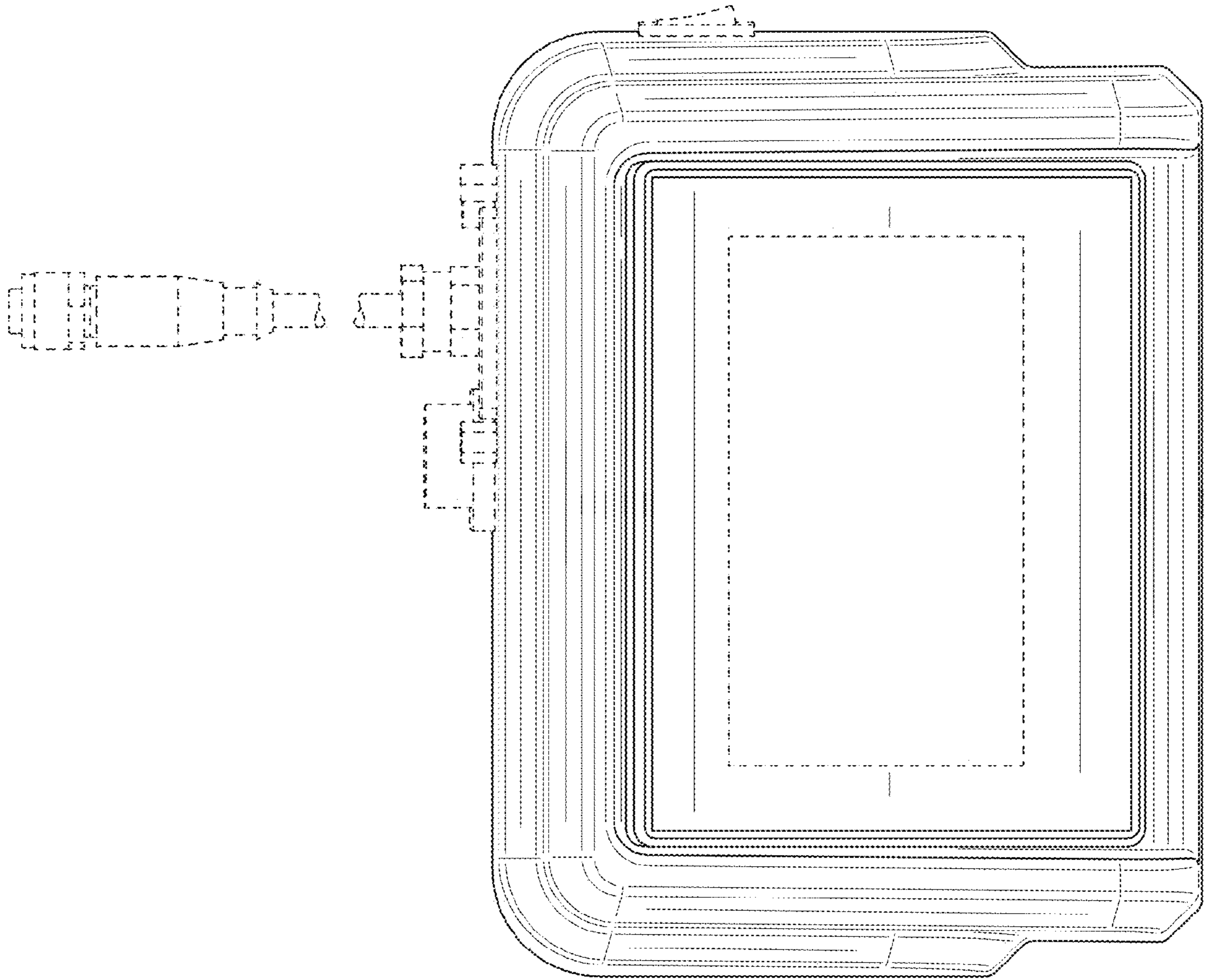


FIG. 6

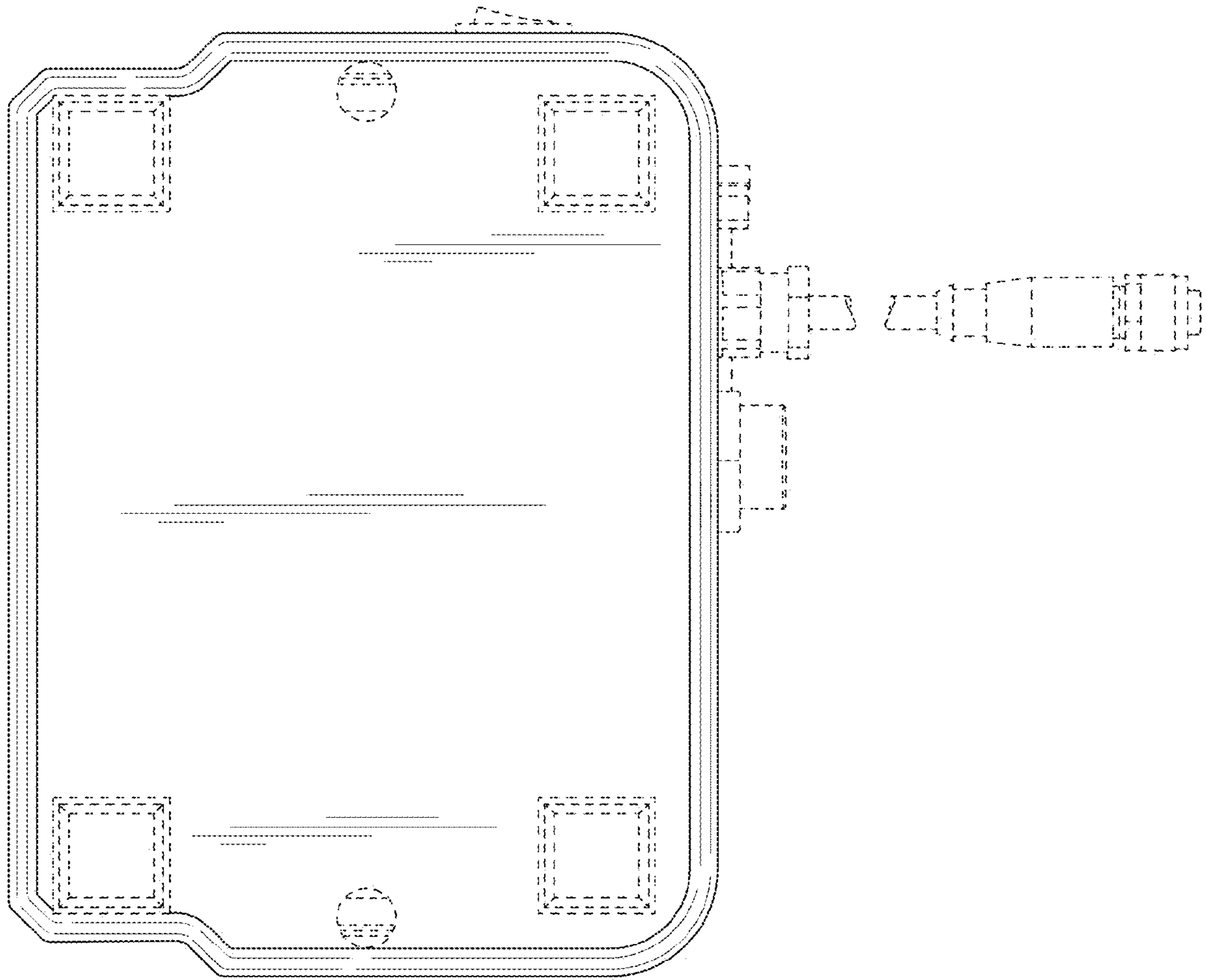


FIG. 7