



US00D940574S

(12) **United States Design Patent**
Otani

(10) **Patent No.:** **US D940,574 S**

(45) **Date of Patent:** **** Jan. 11, 2022**

(54) **TIMER**

(71) Applicant: **Osaka Clip Co., Ltd.**, Osaka (JP)

(72) Inventor: **Yuka Otani**, Osaka (JP)

(**) Term: **15 Years**

(21) Appl. No.: **35/509,815**

(22) Filed: **Jun. 8, 2020**

(80) **Hague Agreement Data**

Int. Filing Date: **Jun. 8, 2020**

Int. Reg. No.: **DM/209128**

Int. Reg. Date: **Jun. 8, 2020**

Int. Reg. Pub. Date: **Jul. 17, 2020**

(51) **LOC (13) Cl.** **10-03**

(52) **U.S. Cl.**
USPC **D10/40**

(58) **Field of Classification Search**

USPC D10/2, 40, 41, 122; D14/170

CPC G04B 19/34; A47J 36/32

See application file for complete search history.

(56) **References Cited**

U.S. PATENT DOCUMENTS

- 2,268,553 A * 1/1942 Rhodes A47J 36/32
368/99
- 3,179,003 A * 4/1965 Thompson G04B 19/34
368/79

- D209,975 S * 1/1968 Reichenstein D14/170
- D213,800 S * 4/1969 Bieger D10/2
- D228,405 S * 9/1973 Pollard D10/2
- D232,815 S * 9/1974 Niwell D10/40
- D342,520 S * 12/1993 Totsuka D10/2
- D395,830 S * 7/1998 Riley D10/122
- D483,679 S * 12/2003 Kaufman D10/40
- D500,254 S * 12/2004 Nakagawa D10/15
- D583,686 S * 12/2008 Forakis D10/40
- D623,964 S * 9/2010 Petersen D10/2
- D642,078 S * 7/2011 Balter D10/41
- D769,742 S * 10/2016 Cheng D10/40
- D912,551 S * 3/2021 Rogers D10/40
- D915,224 S * 4/2021 Rogers D10/40

* cited by examiner

Primary Examiner — George D. Kirschbaum

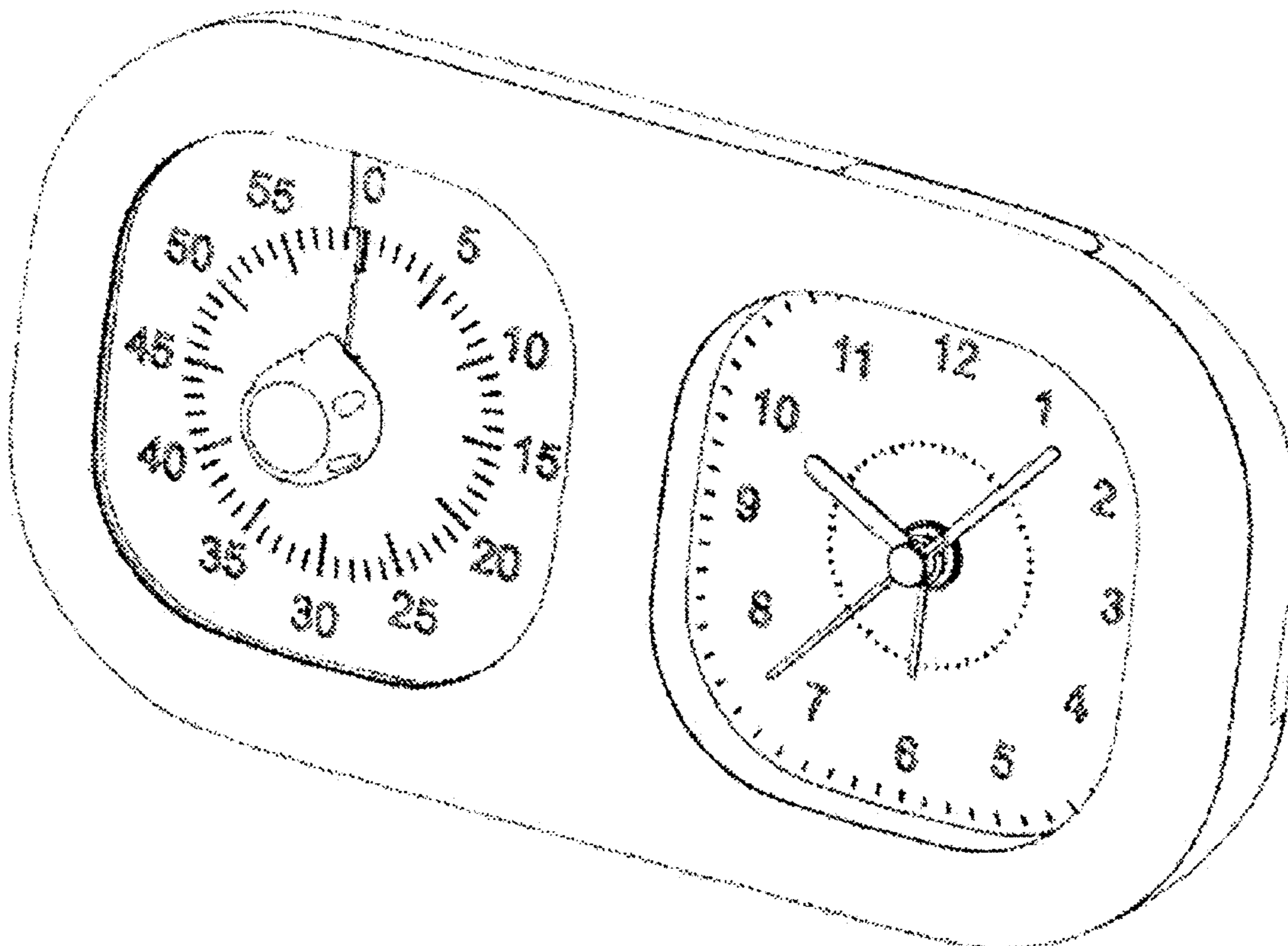
(57) **CLAIM**

The ornamental design for a timer, as shown and described.

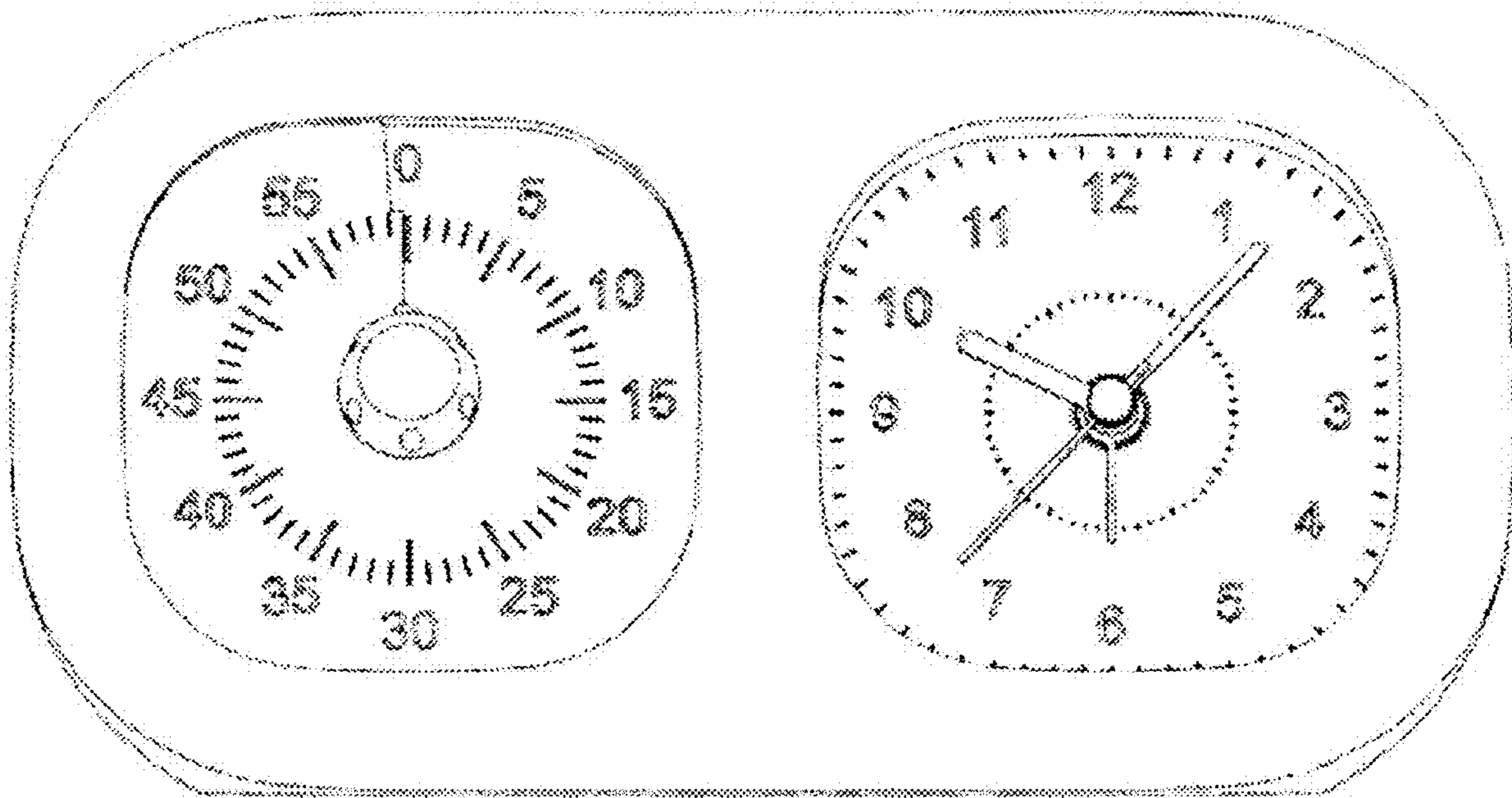
DESCRIPTION

- 1.-2. Timer
- 1.1 : Front
- 1.2 : Back
- 1.3 : Top
- 1.4 : Bottom
- 1.5 : Left
- 1.6 : Right
- 1.7 : Perspective
- 1.8 : Perspective

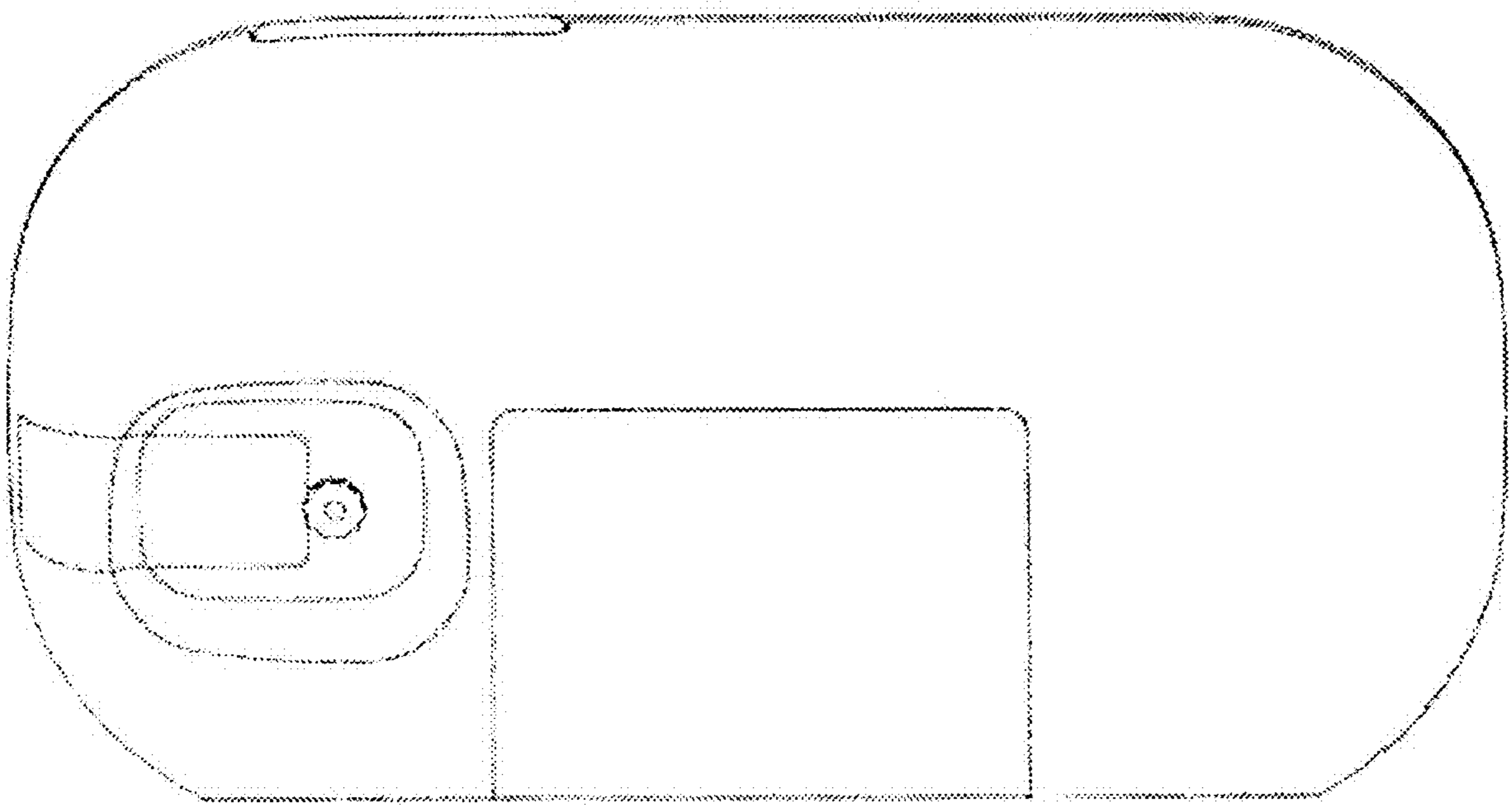
1 Claim, 8 Drawing Sheets



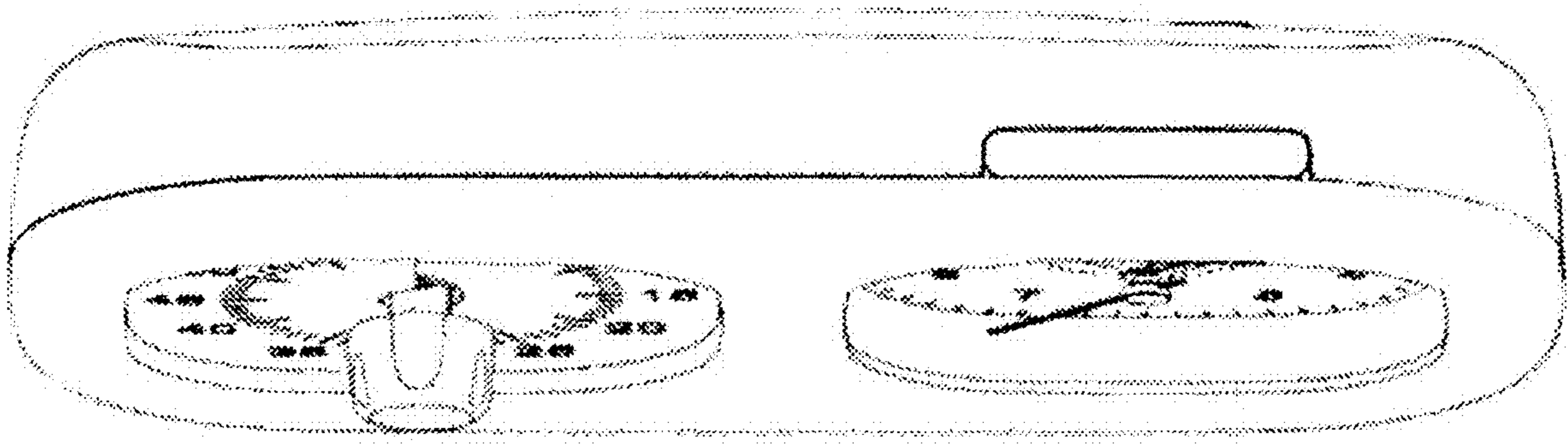
1.1



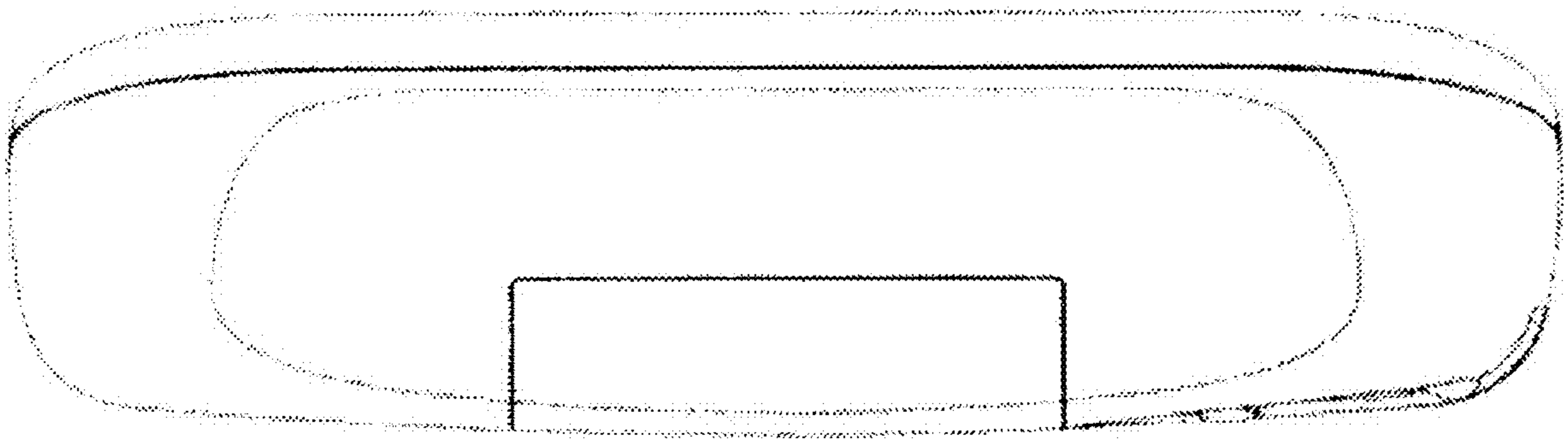
1.2



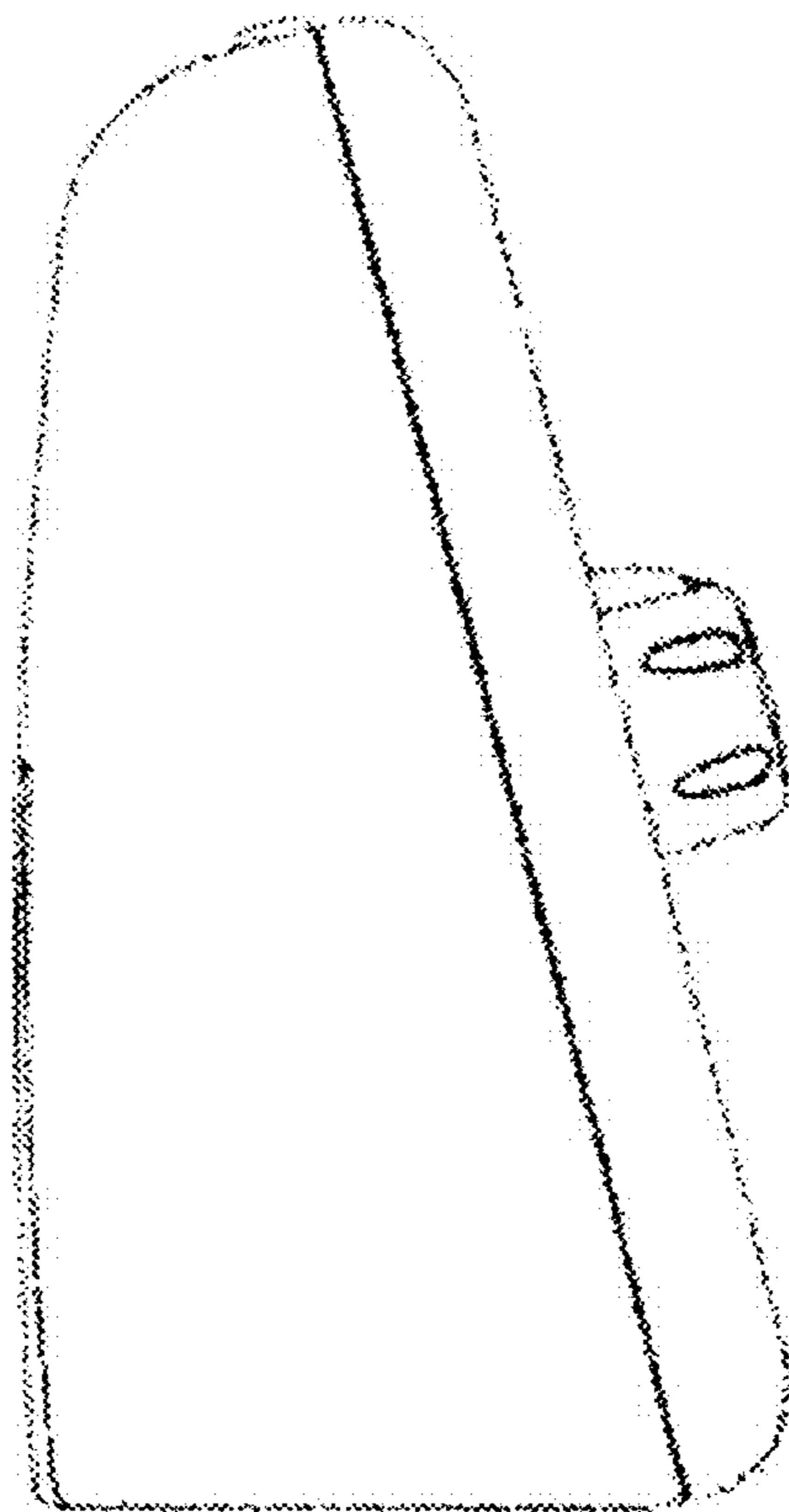
1.3



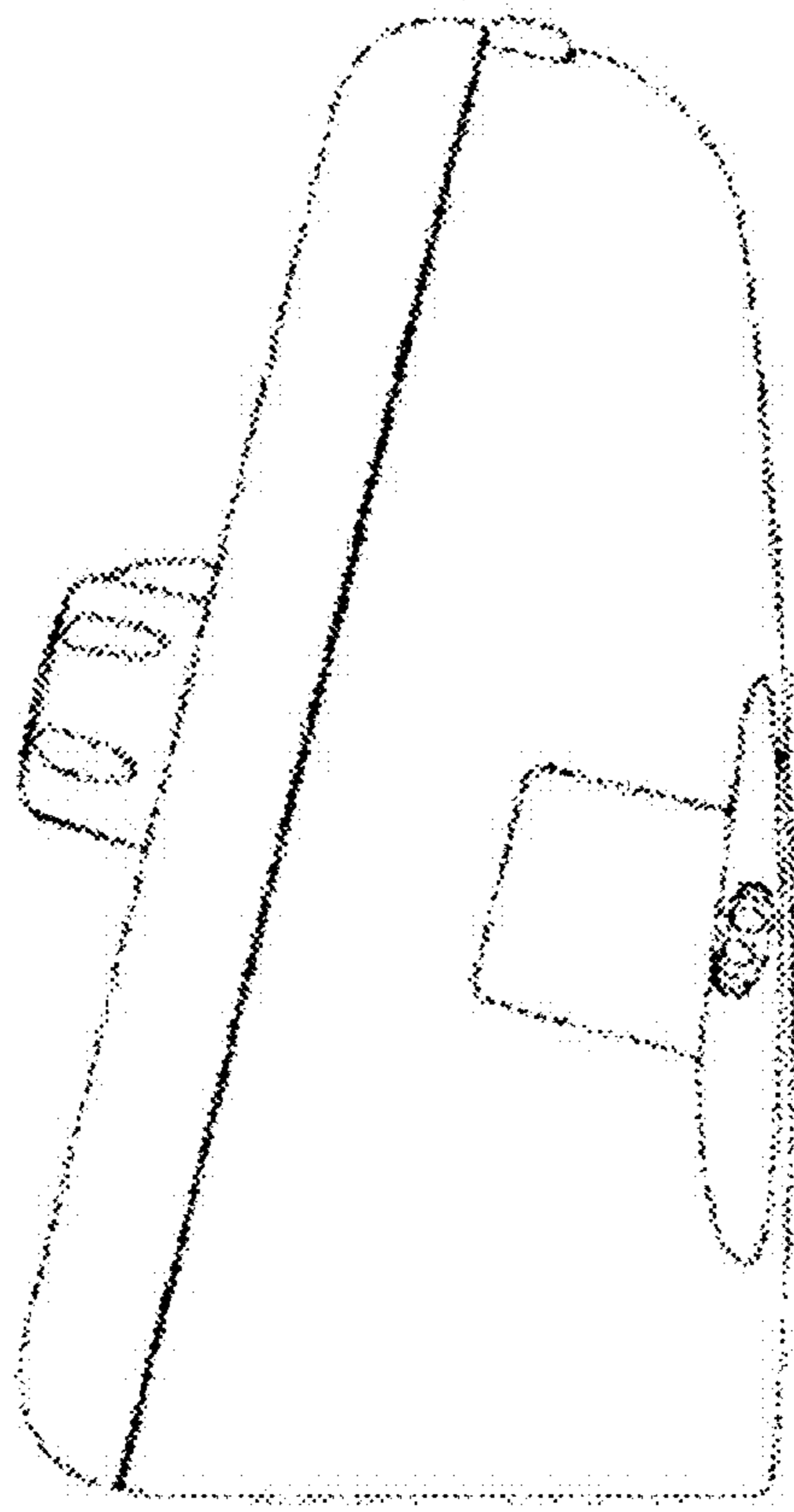
1.4



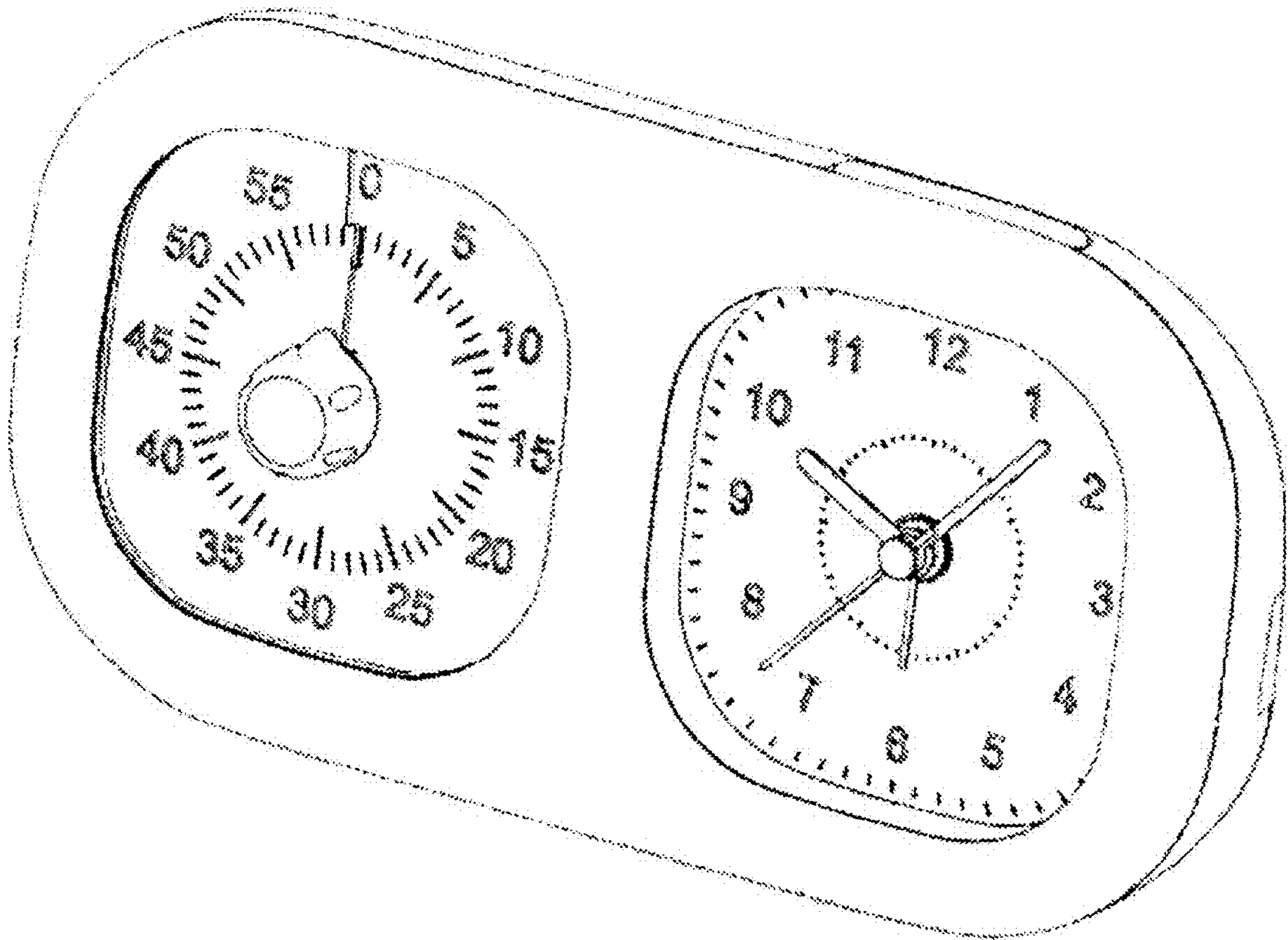
1.5



1.6



1.7



1.8

