



US00D940573S

(12) **United States Design Patent**
Luo

(10) **Patent No.:** **US D940,573 S**
(45) **Date of Patent:** **** Jan. 11, 2022**

(54) **ALARM CLOCK**
(71) Applicant: **Wensen Luo**, Shenzhen (CN)
(72) Inventor: **Wensen Luo**, Shenzhen (CN)
(**) Term: **15 Years**

D885,934 S * 6/2020 Bai D10/2
D892,641 S * 8/2020 Zhao D10/7
D893,445 S * 8/2020 Wall D14/188
D905,575 S 12/2020 Dominguez
(Continued)

(21) Appl. No.: **29/778,411**
(22) Filed: **Apr. 13, 2021**
(30) **Foreign Application Priority Data**

Mar. 9, 2021 (CN) 202130127153.3

(51) **LOC (13) Cl.** **10-01**
(52) **U.S. Cl.**
USPC **D10/2; D10/15; D14/171**
(58) **Field of Classification Search**
USPC D10/1-2, 14, 15, 21, 24, 25, 27;
D14/170-172, 175, 188, 214
CPC G04B 21/00; G04C 21/00; G04C 21/16;
G04C 21/18; G04G 13/028; G04G 17/00;
G04G 17/08; G04G 17/086; G04G 21/08
See application file for complete search history.

(56) **References Cited**

U.S. PATENT DOCUMENTS

D239,201 S * 3/1976 Ohta D14/171
D256,237 S * 8/1980 Vong D10/2
D264,943 S * 6/1982 Hammond D10/1
D304,018 S * 10/1989 Nomizu D10/2
D360,368 S * 7/1995 Pickett D10/15
D422,510 S * 4/2000 Holland D10/15
D540,300 S * 4/2007 Amid-Hozour D14/188
D542,265 S * 5/2007 Hussaini D14/170
D557,256 S * 12/2007 Joseph D14/214
D615,961 S * 5/2010 Hu D14/188
D700,528 S * 3/2014 Joseph D10/15
D788,740 S * 6/2017 DeVesto D14/172
D824,365 S * 7/2018 Vogt, Jr. D14/214
D852,161 S * 6/2019 Hannibal, III D14/172
D858,310 S * 9/2019 He D10/1

OTHER PUBLICATIONS

OneClock Alarm Clock | store.moma.org; no posting date [online],
© [retrieved Nov. 4, 2021] from Internet: <https://store.moma.org/for-the-home/home/clocks/oneclock-alarm-clock/15400-157107.html?flow_enabled=false&gclid=EAlalQobChMls7r89Mz_8wIVCZyzCh1UjgN0EAKYAiABEgKHmPD_BwE> (Year: 2021).
(Continued)

Primary Examiner — Katherine Glennon
(74) *Attorney, Agent, or Firm* — ScienBiziP, P.C.

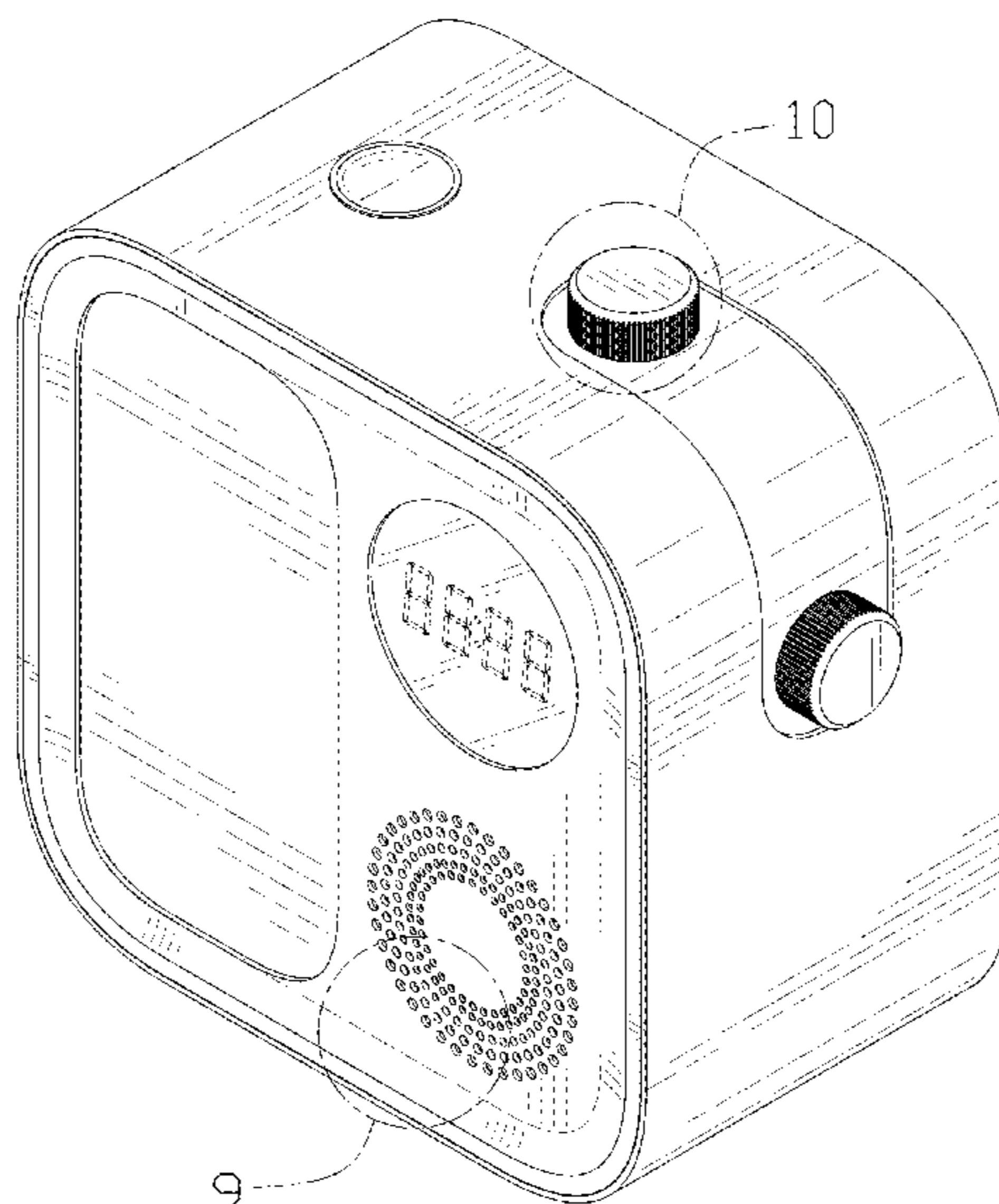
(57) **CLAIM**

The ornamental design for an alarm clock, as shown and described.

DESCRIPTION

FIG. 1 is a front, right, and top perspective view of an alarm clock, showing our design.
FIG. 2 is a rear, left, and bottom perspective view thereof.
FIG. 3 is a front elevation view thereof.
FIG. 4 is a rear elevation view thereof.
FIG. 5 is a left side elevation view thereof.
FIG. 6 is a right side elevation view thereof.
FIG. 7 is a top plan view thereof.
FIG. 8 is a bottom plan view thereof.
FIG. 9 is a partial enlarged view of an area labeled 9 in FIG. 1 comprising a loudspeaker; and,
FIG. 10 is a partial enlarged view of an area labeled 10 in FIG. 1 comprising a regulator.
The broken lines shown in the drawings are included for the purpose of illustrating portions of the alarm clock that form no part of the claimed design.

1 Claim, 10 Drawing Sheets



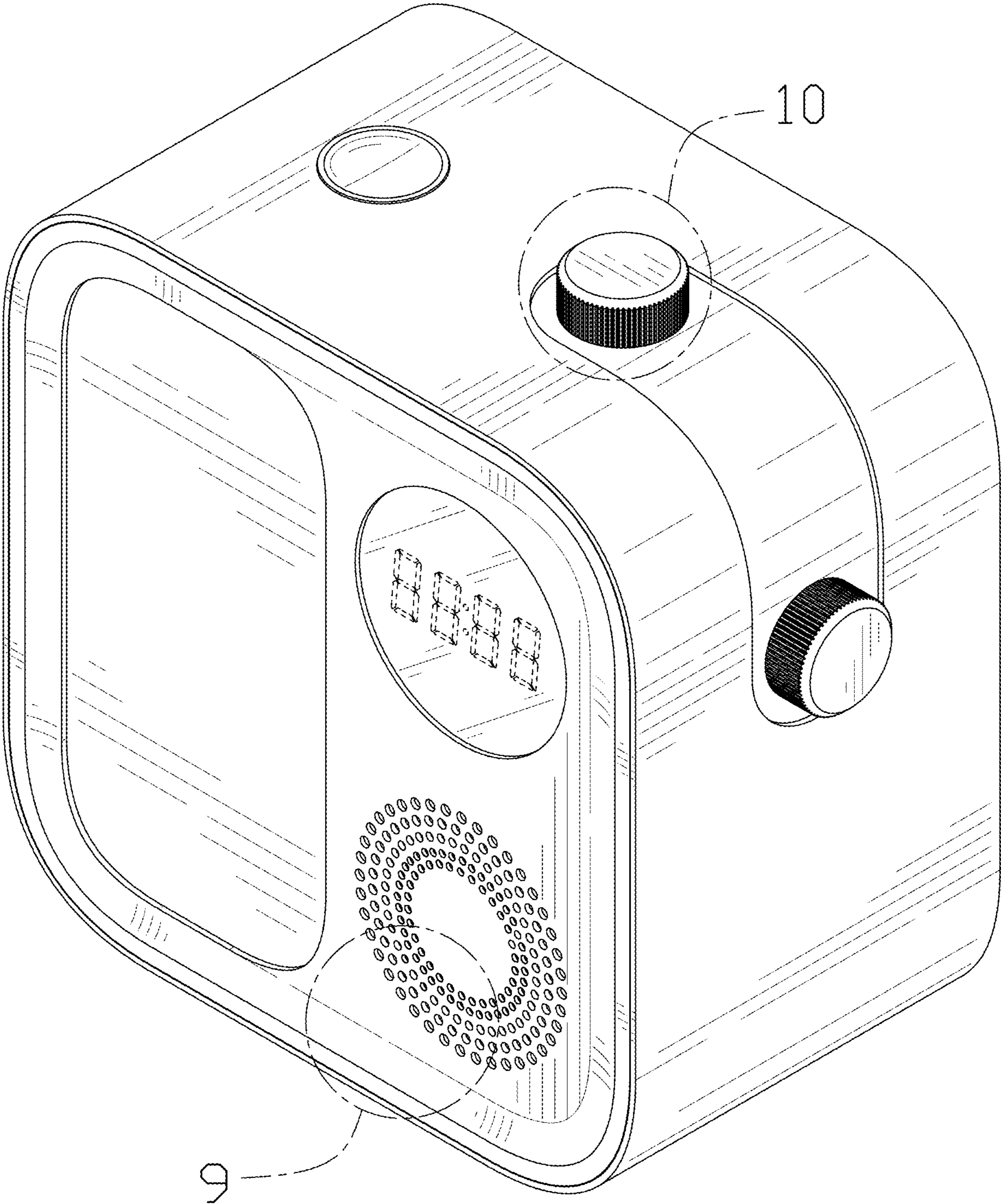


FIG. 1

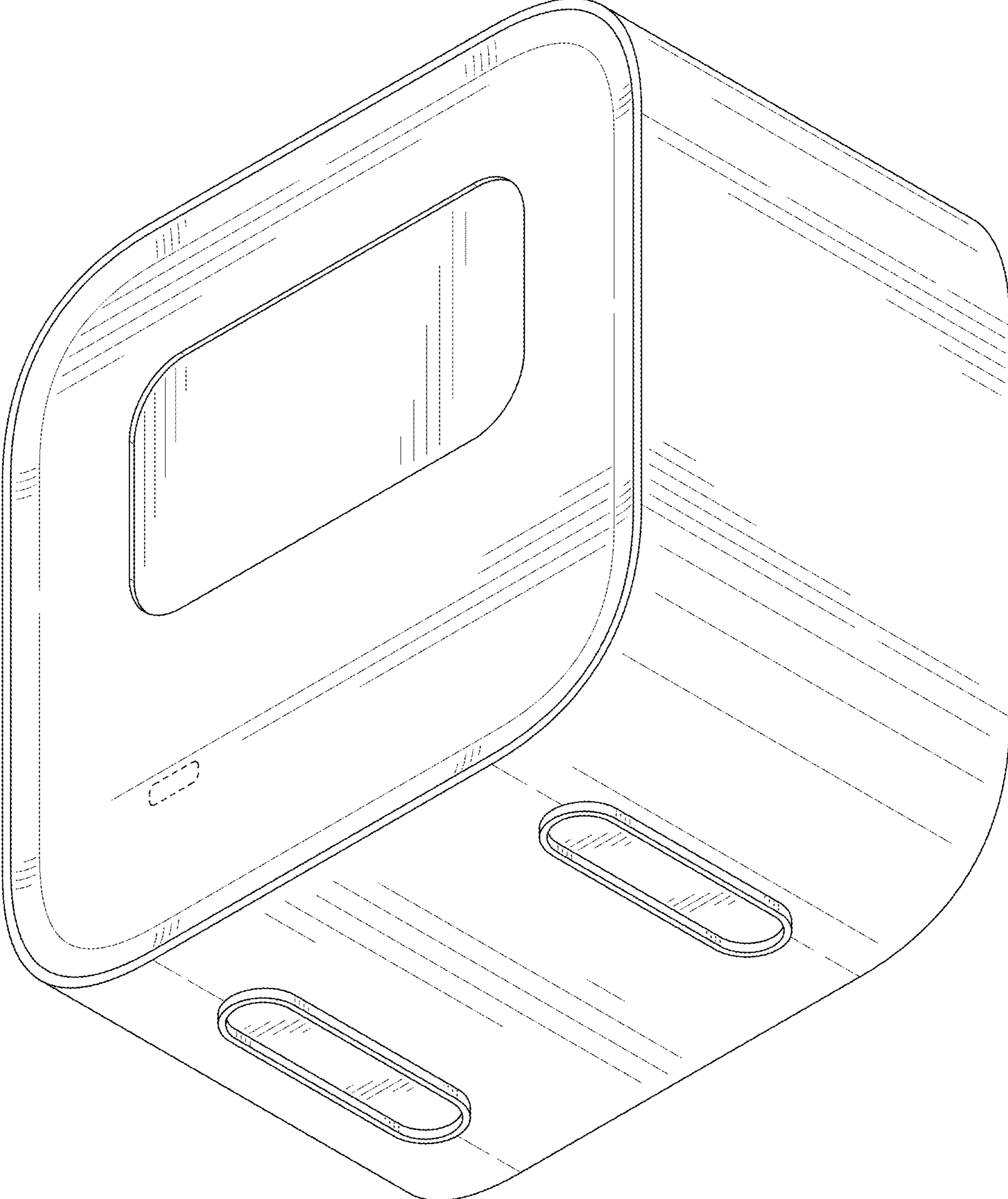


FIG. 2

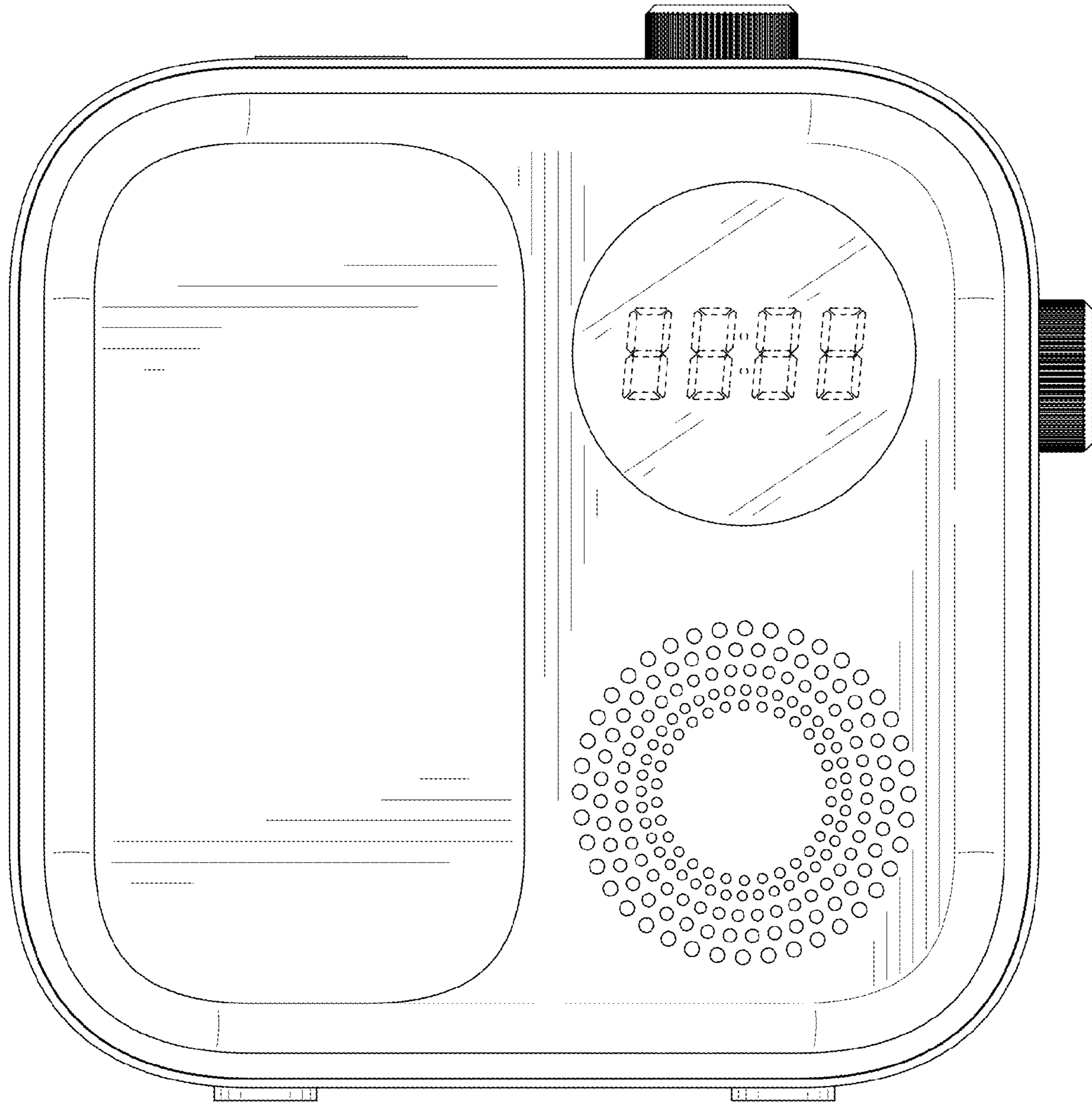


FIG. 3

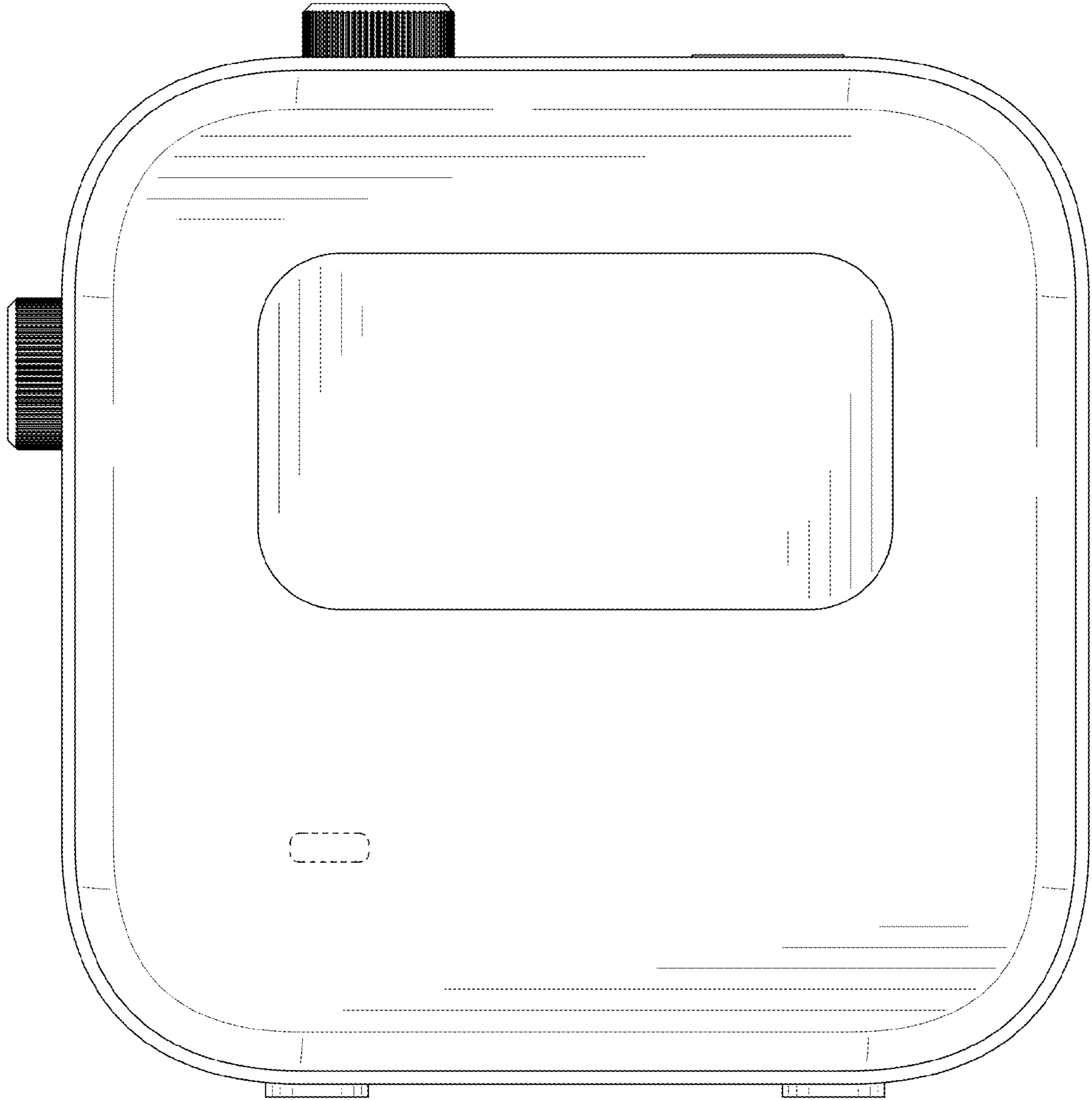


FIG. 4

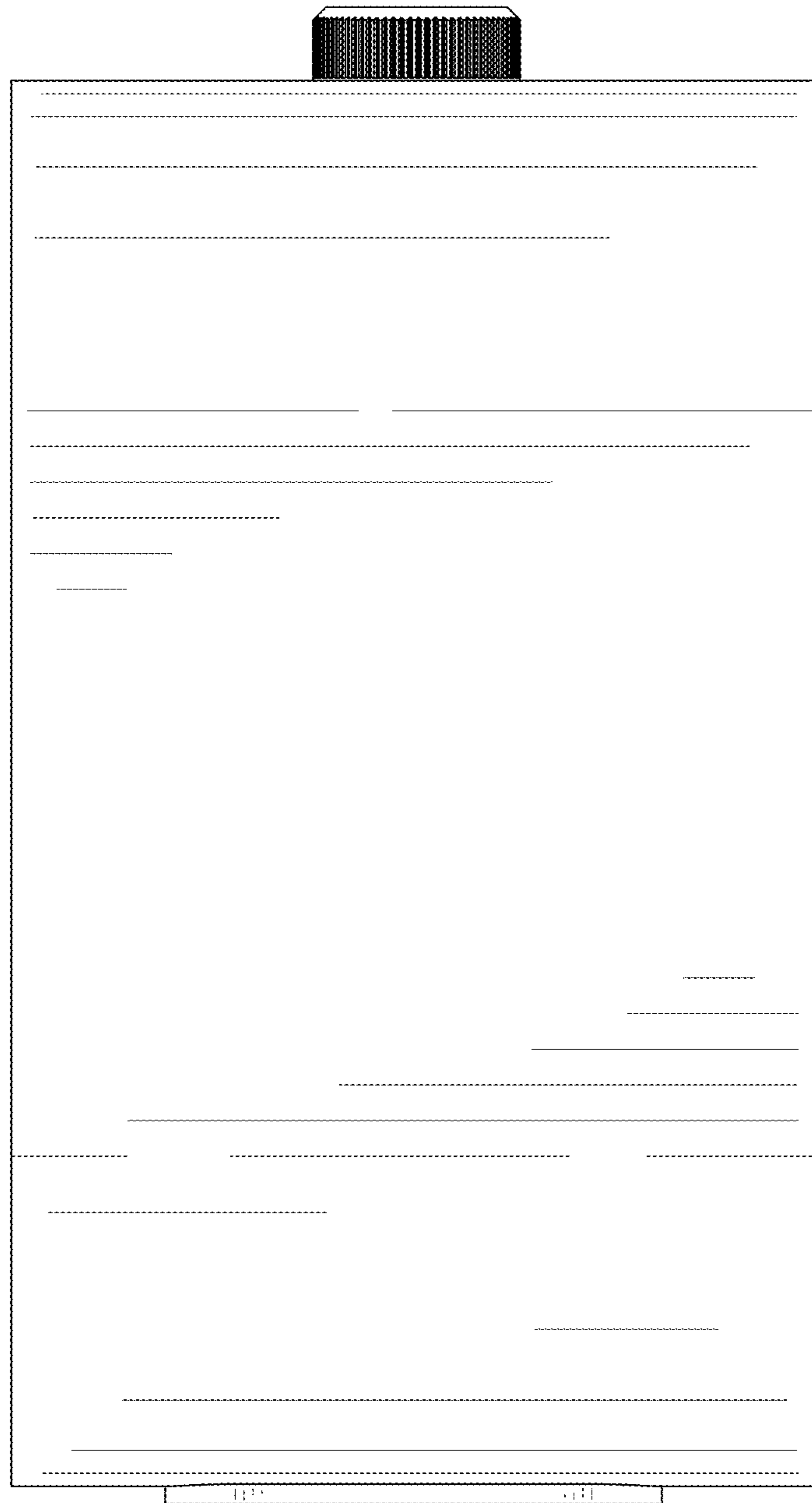


FIG. 5

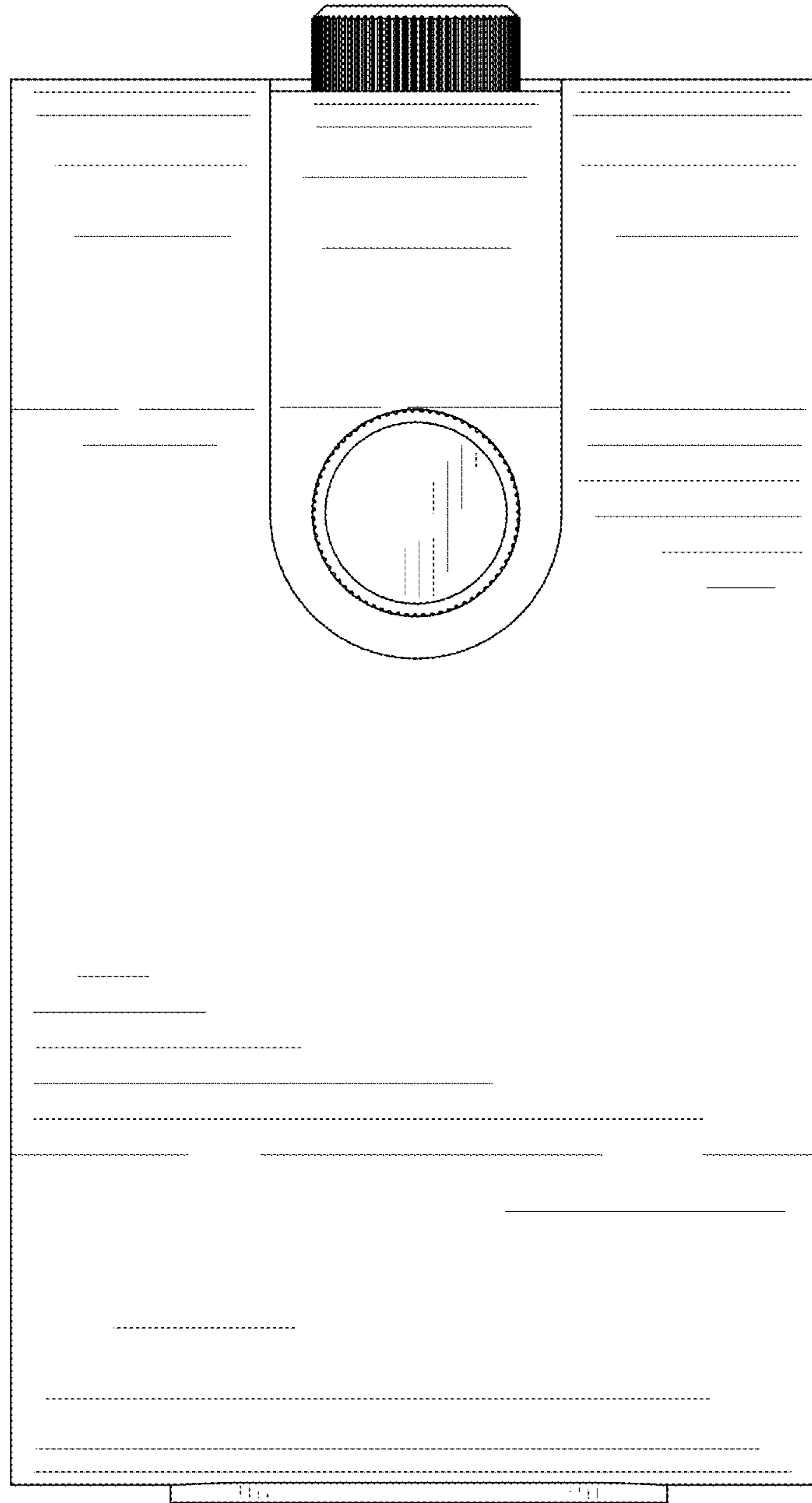


FIG. 6

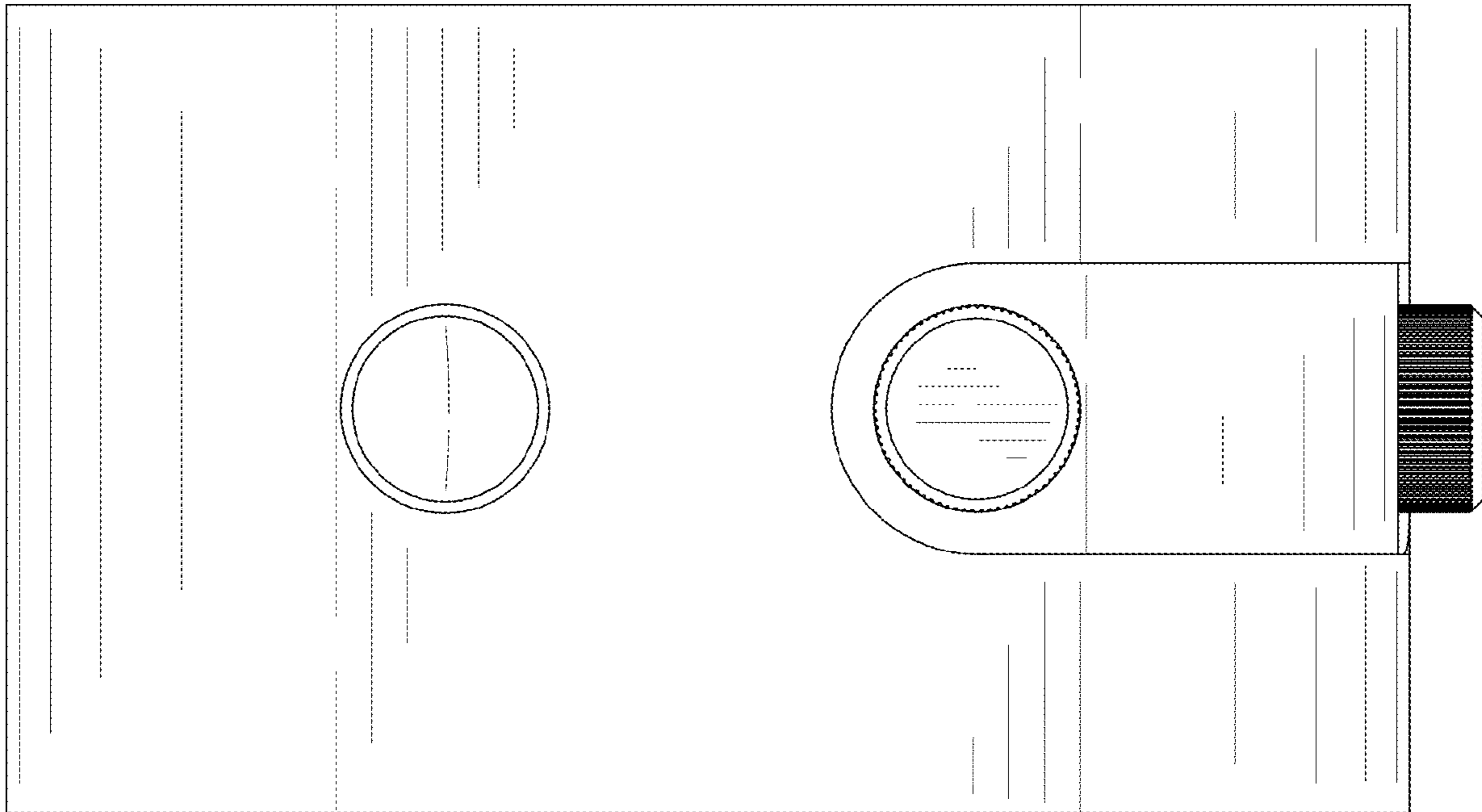


FIG. 7

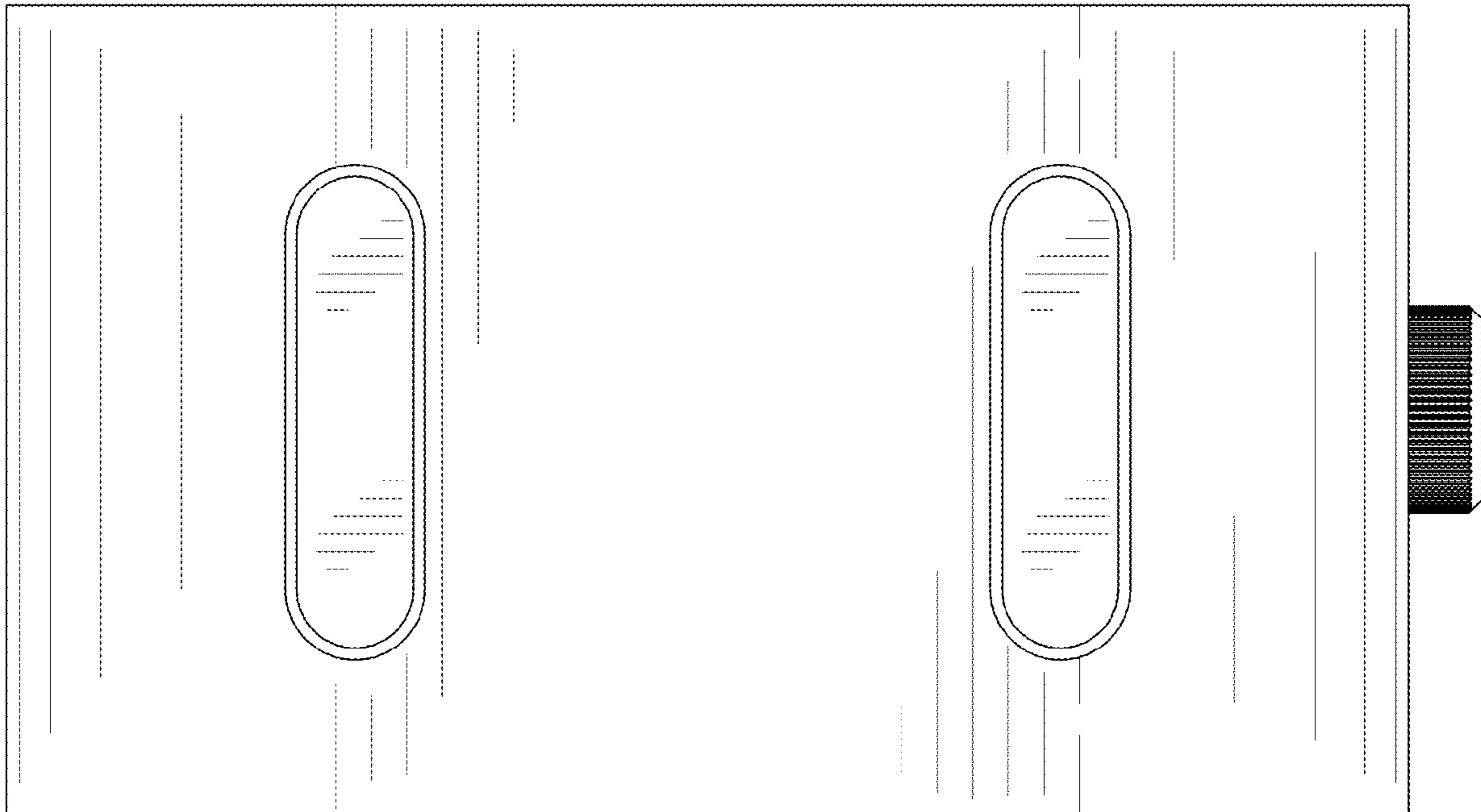


FIG. 8

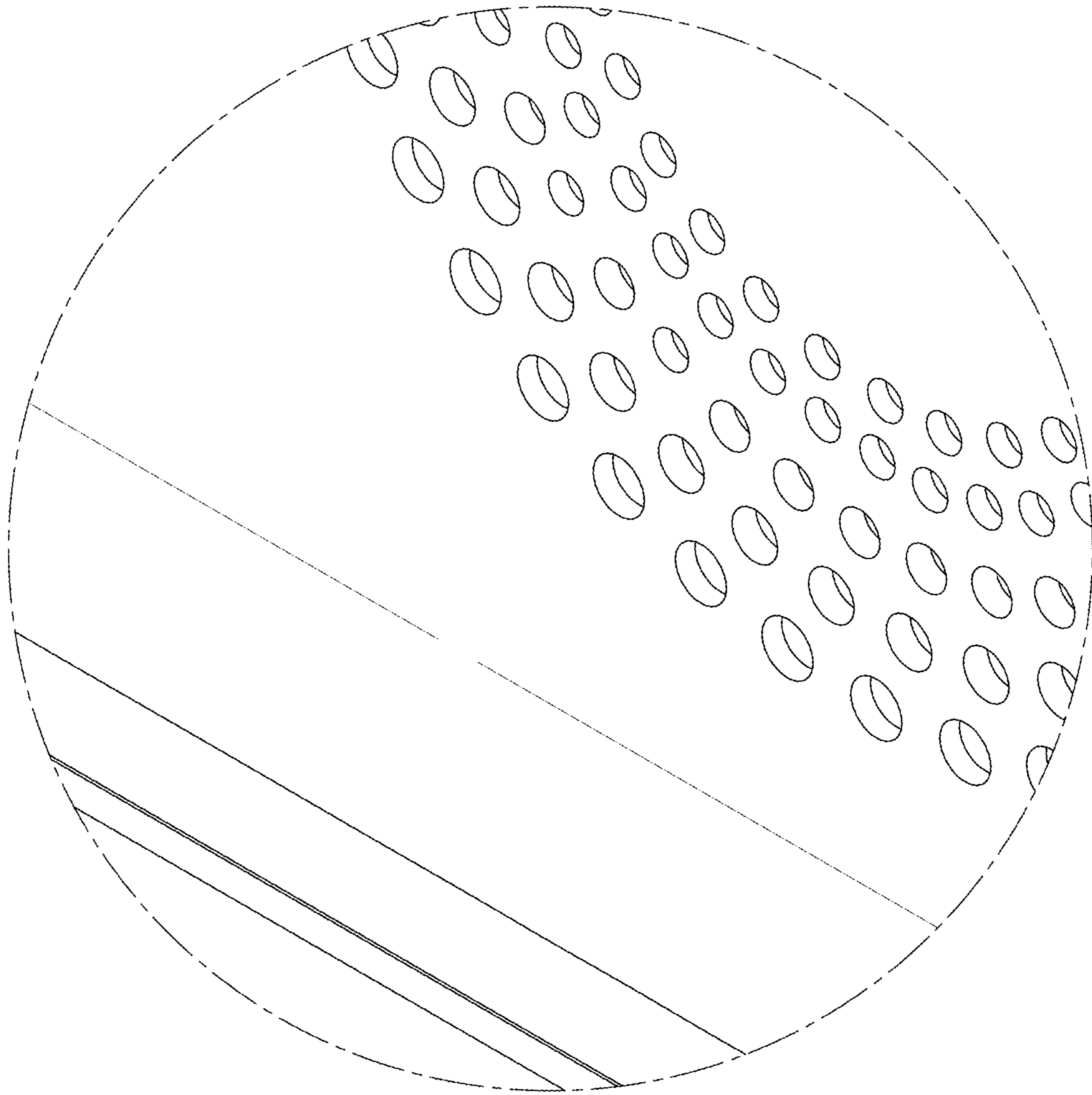


FIG. 9

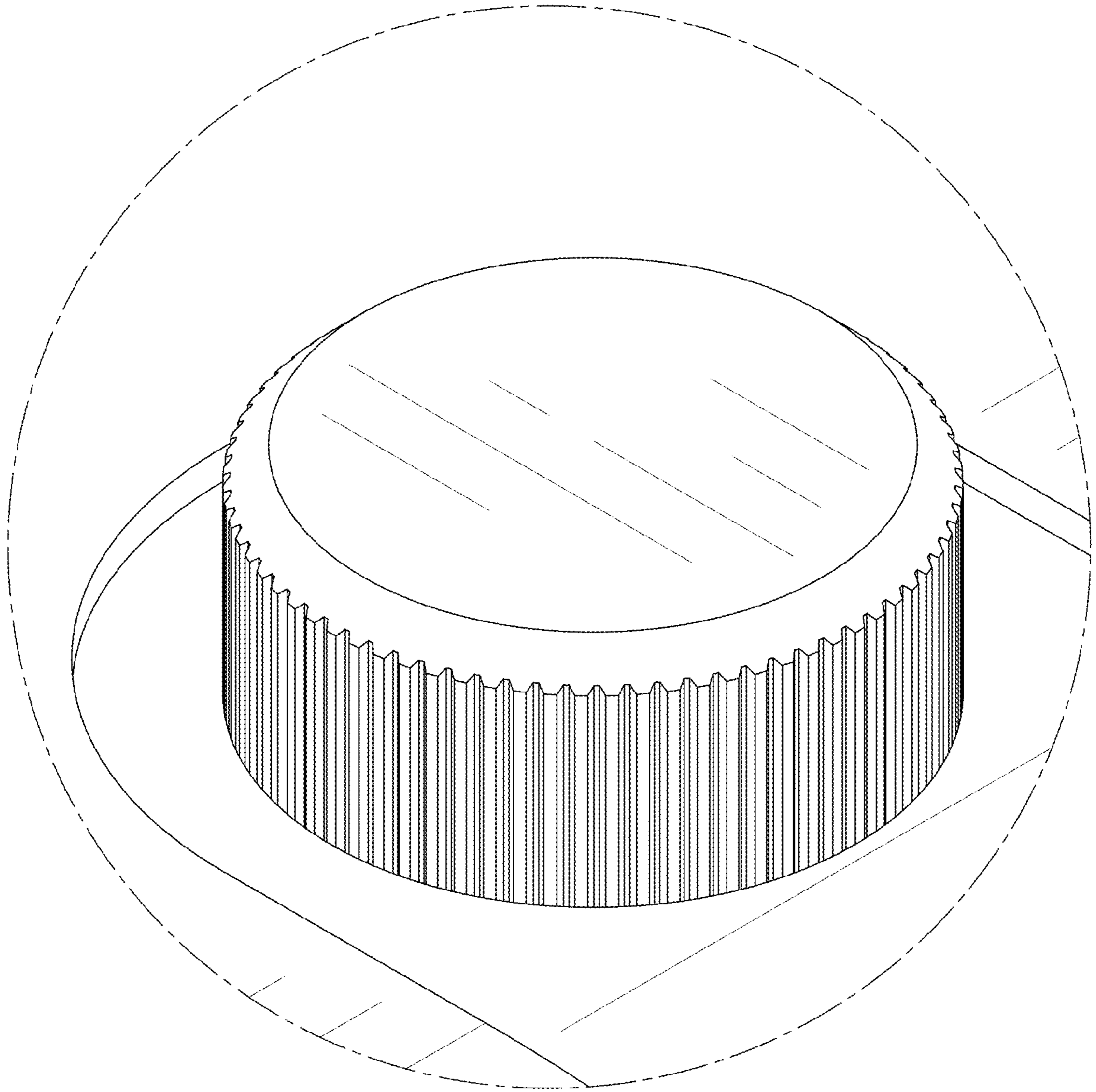


FIG. 10