



US00D940571S

(12) **United States Design Patent** (10) **Patent No.:** **US D940,571 S**
Taylor et al. (45) **Date of Patent:** **** Jan. 11, 2022**

(54) **PORTABLE TOWELETTE DISPENSER**

(71) Applicant: **Kyle Taylor**, Summerville, SC (US)

(72) Inventors: **Kyle Taylor**, Summerville, SC (US);
Dwight Brooks, Boynton Beach, FL (US)

(73) Assignee: **Kyle Taylor**, Summerville, SC (US)

(**) Term: **15 Years**

(21) Appl. No.: **29/740,635**

(22) Filed: **Jul. 6, 2020**

(51) **LOC (13) Cl.** **09-01**

(52) **U.S. Cl.**
USPC **D9/734; D9/504**

(58) **Field of Classification Search**
USPC D9/414, 424, 430, 431, 504, 730, 734;
D3/205, 203.4, 215; D6/515, 518, 519,
D6/521, 522, 523; D7/601, 602, 631
CPC B65D 83/0805; B65D 83/0894;
B65D 85/16; B65D 81/22; B65D
2571/0066; B65D 75/5838; B65D 71/36;
B65D 83/08; B65D 77/24; B65D 85/671;
B65D 2571/0058; B65D 75/30; B65D
5/16; B65D 83/0811; B65D 83/00; B65D
2575/586; B65D 77/02; B65D
2543/00296; B65D 85/00; B65D 83/0835;
B65D 75/20; B65D 2543/00092; B65D
5/72; B65D 77/06; B65D 3/04; B65D
43/02; B65D 2519/00034; B65D
2519/00069; A47K 2010/3266; A47K
10/421; A47K 10/3818; A47K 10/16;
A47K 10/185; A47K 10/32

See application file for complete search history.

(56) **References Cited**

U.S. PATENT DOCUMENTS

D328,703 S * 8/1992 Klumpyan D3/203.4
D540,038 S * 4/2007 Hussaini D3/201

D642,481 S * 8/2011 Proksch D9/731
D698,653 S * 2/2014 Schumaier D9/504
9,480,372 B1 * 11/2016 Taylor A47K 10/42
D815,531 S * 4/2018 Wahl D9/504
D906,134 S * 12/2020 Lindsay D9/734
2002/0162848 A1 * 11/2002 Na A47K 10/38
221/63
2007/0267531 A1 * 11/2007 Petersen B65D 83/0805
242/588.6
2012/0118905 A1 * 5/2012 Lindbergh A47K 10/421
221/1
2013/0174865 A1 * 7/2013 Bennett A47K 10/32
132/314
2015/0216378 A1 * 8/2015 Fulscher A47K 10/42
221/45
2016/0242605 A1 * 8/2016 Heymann A47K 10/3836
2020/0121139 A1 * 4/2020 Gordon A47K 10/44

* cited by examiner

Primary Examiner — Lauren R Calve

(74) *Attorney, Agent, or Firm* — PatentFile, LLC; Bradley C. Fach

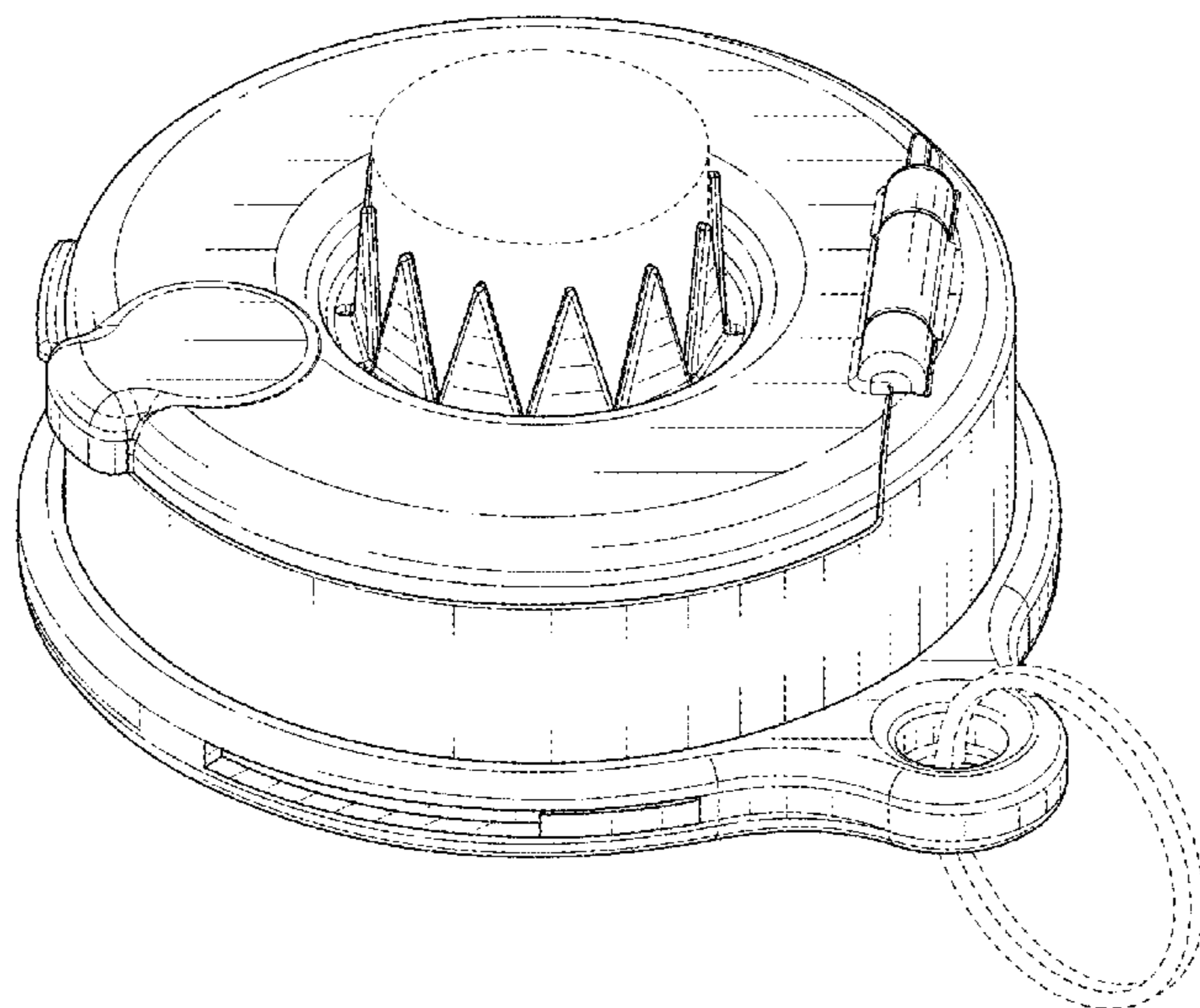
(57) **CLAIM**

The ornamental design for a portable towelette dispenser, as shown and described.

DESCRIPTION

FIG. 1 is a perspective view showing the new, original, and ornamental design of a portable towelette dispenser; FIG. 2 is a right elevation view thereof; FIG. 3 is a left elevation view thereof; FIG. 4 is a front elevation view thereof; FIG. 5 is a rear elevation view thereof; FIG. 6. is a top plan view thereof; and, FIG. 7 is a bottom plan view thereof. The broken lines shown in the drawings represent environmental subject matter and form no part of the claimed design.

1 Claim, 3 Drawing Sheets



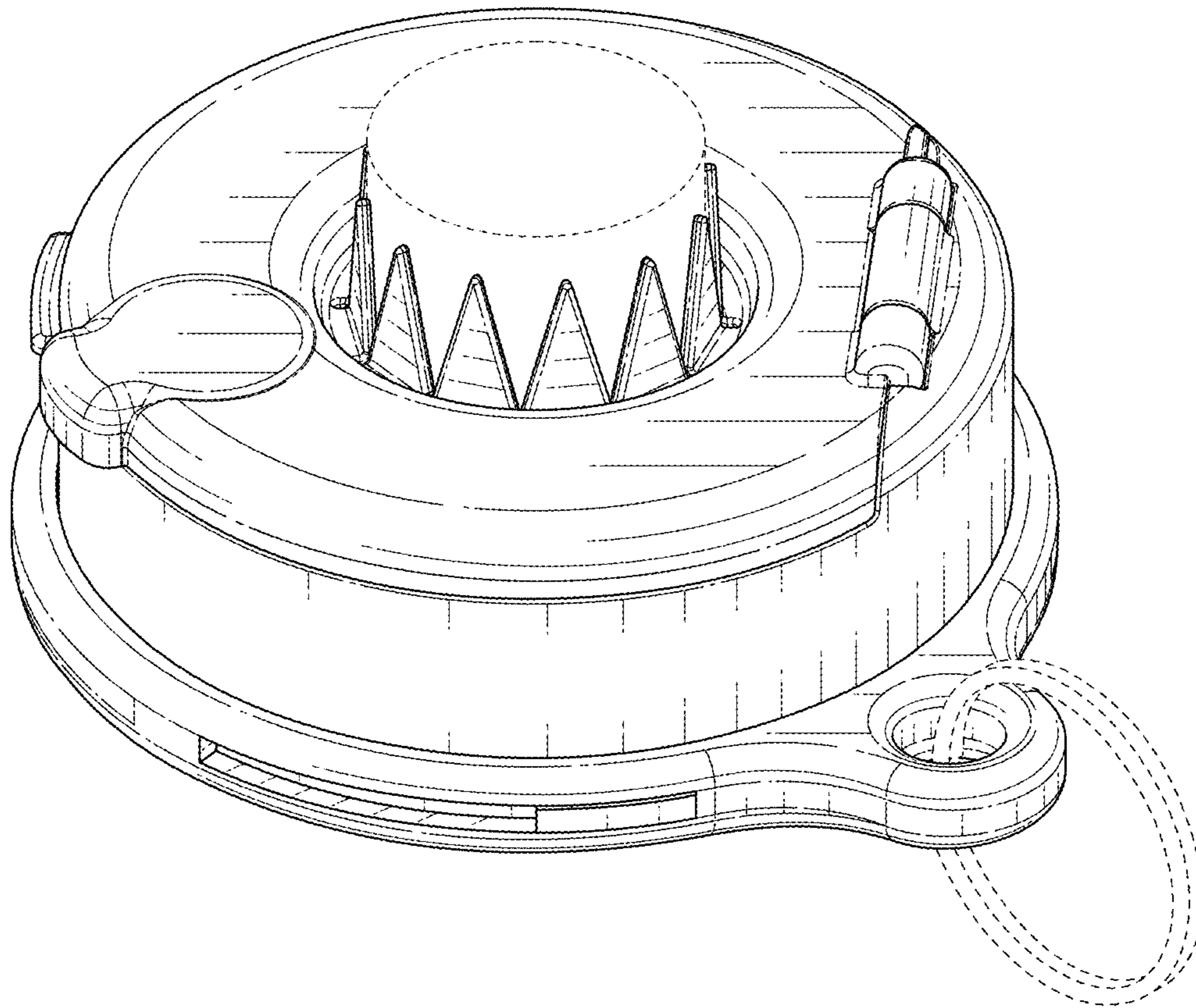


FIG. 1

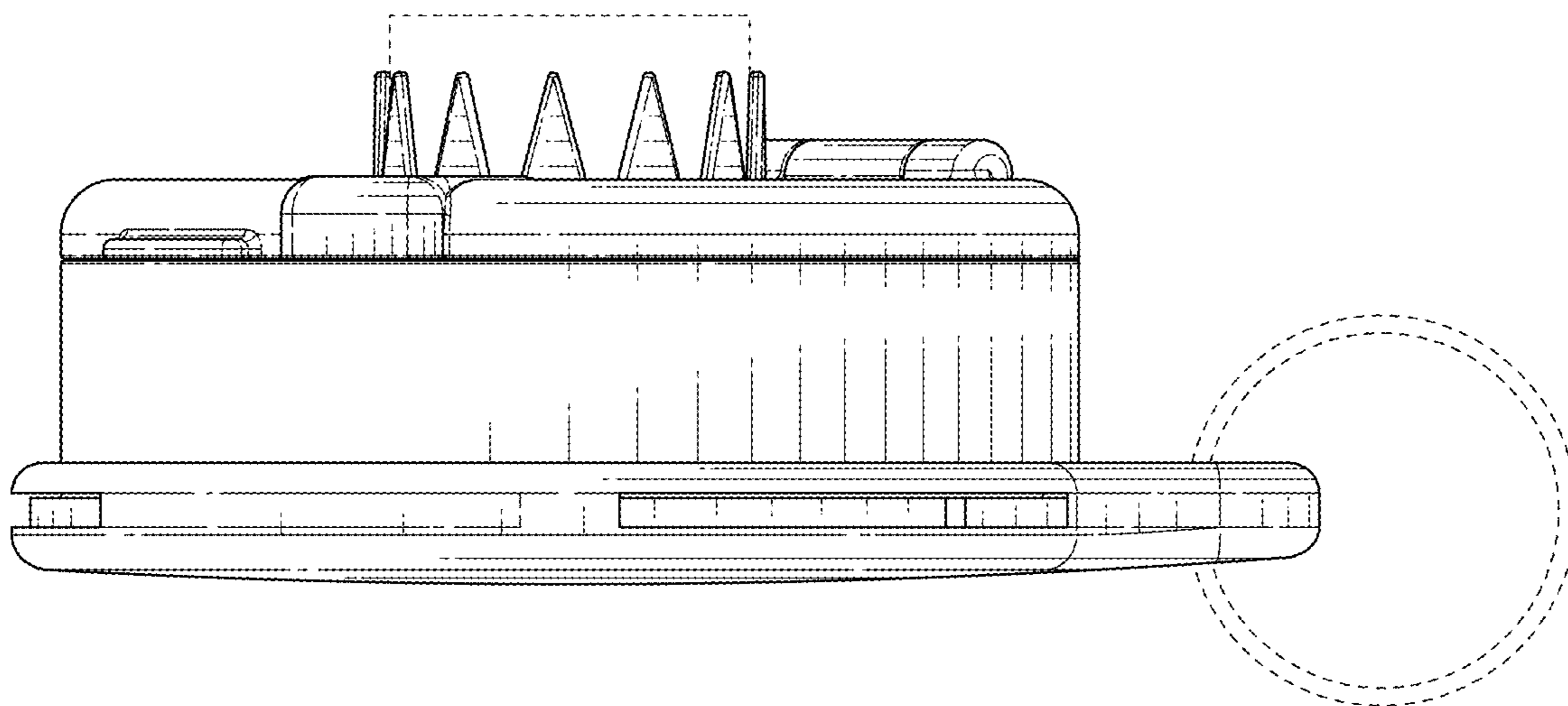


FIG. 2

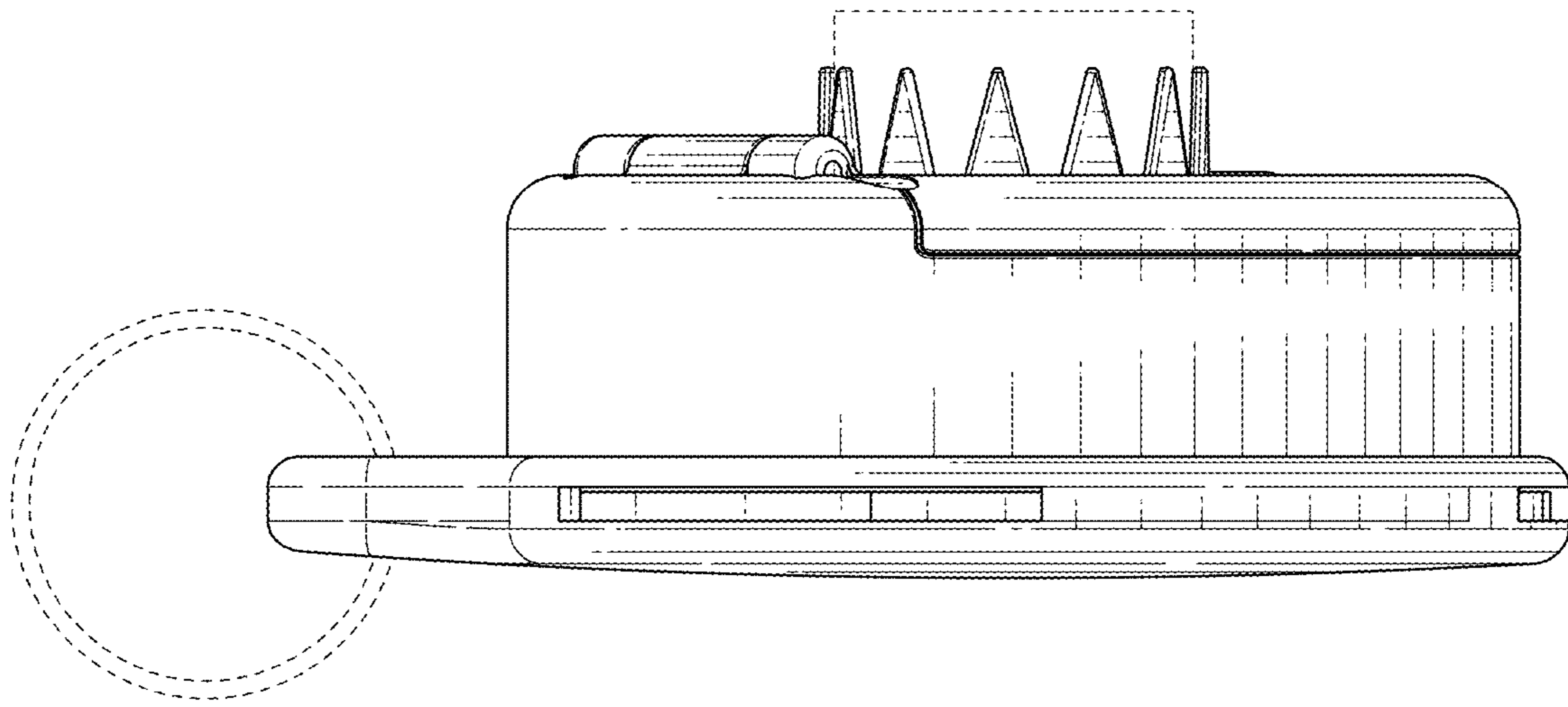


FIG. 3

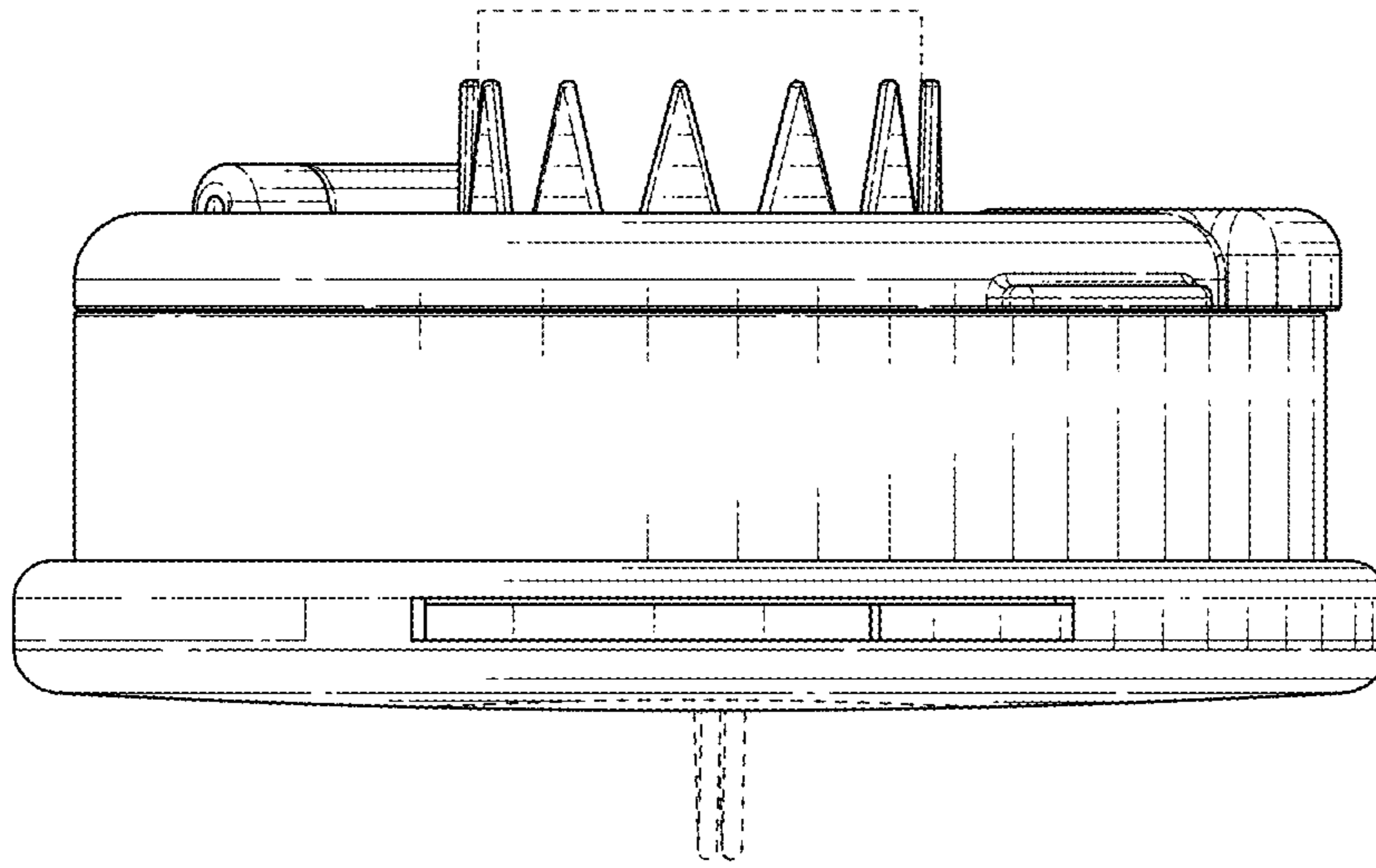


FIG. 4

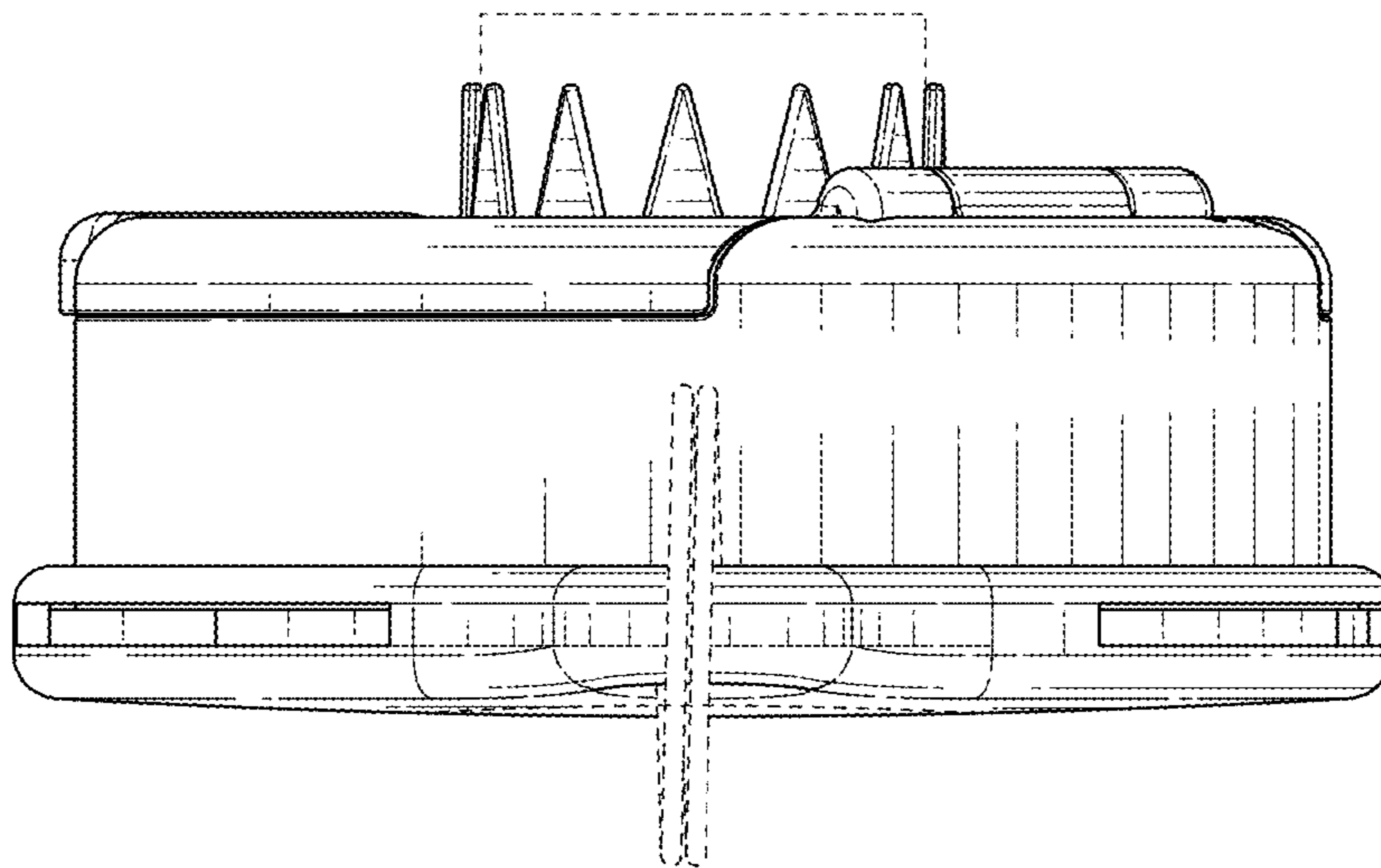


FIG. 5

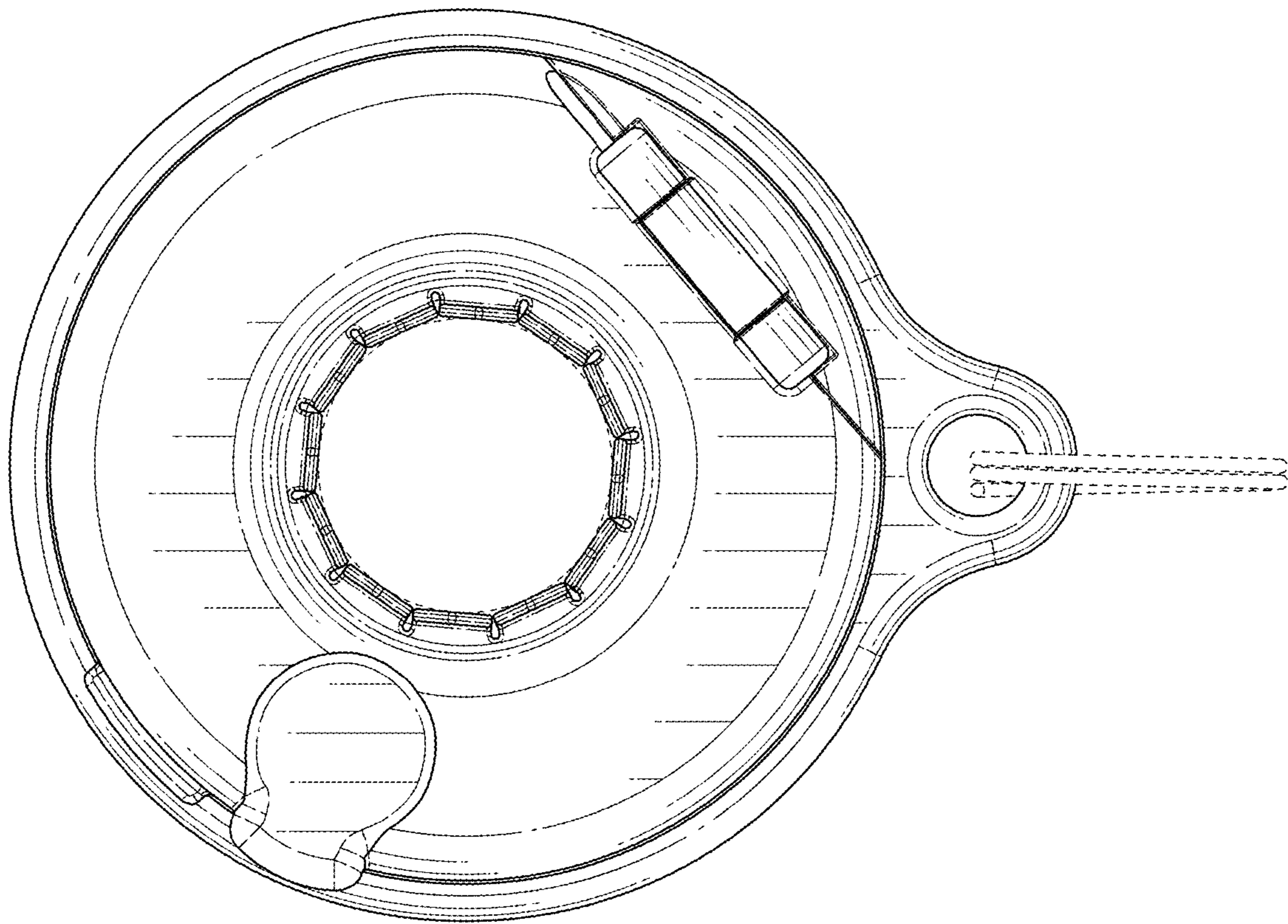


FIG. 6

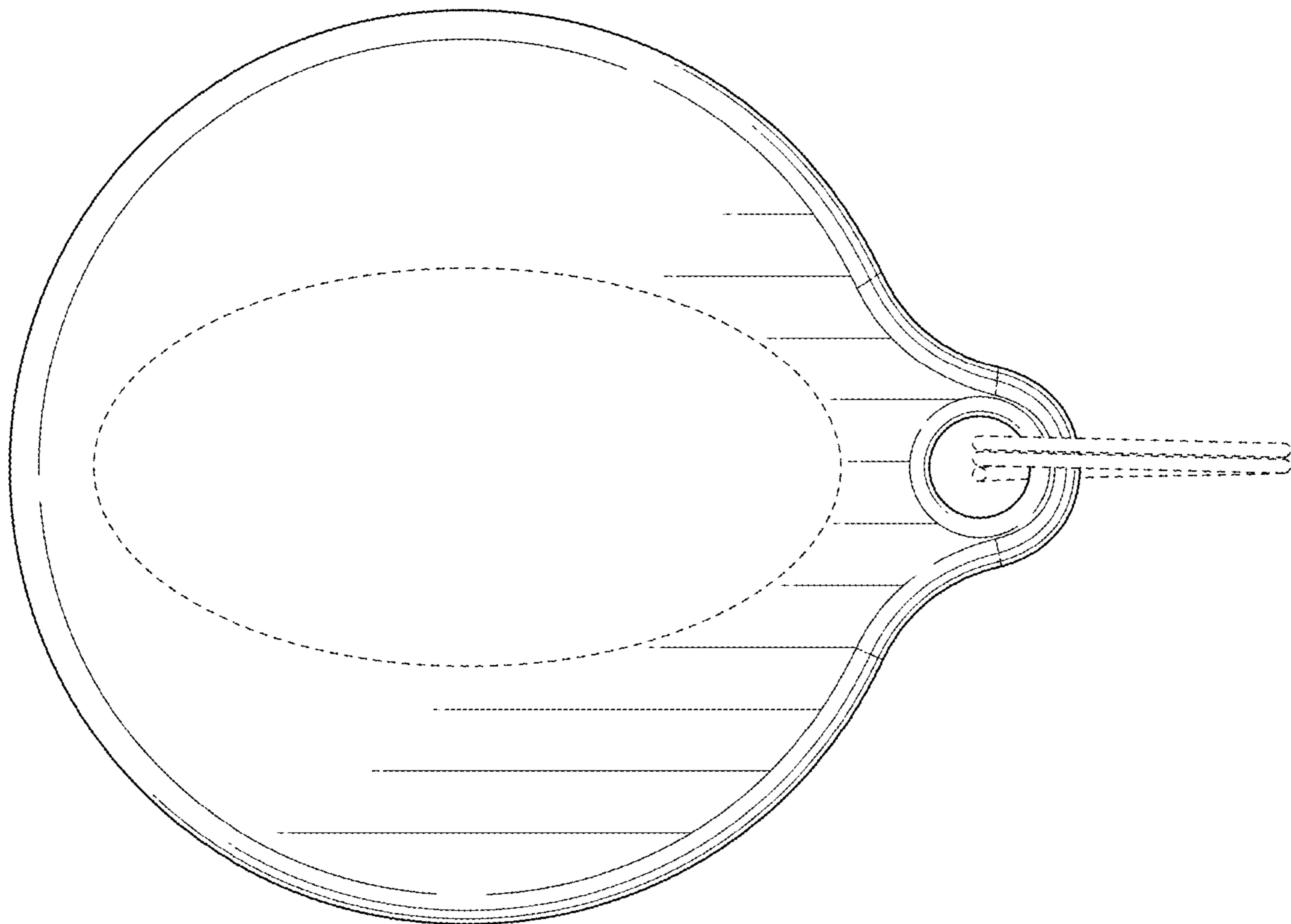


FIG. 7