



US00D940565S

(12) **United States Design Patent**  
**Nguyen et al.**

(10) **Patent No.:** **US D940,565 S**  
(45) **Date of Patent:** **\*\* Jan. 11, 2022**

(54) **DRY STORAGE BAG**

(71) Applicant: **Helen of Troy Limited**, St. Michael (BB)

(72) Inventors: **Lee Tuong Nguyen**, Bend, OR (US);  
**Spencer Brinson**, Bend, OR (US);  
**Shelley Palazzolo**, Bend, OR (US)

(73) Assignee: **Helen of Troy Limited**, St. Michael (BB)

(\*\*) Term: **15 Years**

(21) Appl. No.: **29/734,889**

(22) Filed: **May 15, 2020**

(51) **LOC (13) Cl.** ..... **09-05**

(52) **U.S. Cl.**  
USPC ..... **D9/705**

(58) **Field of Classification Search**  
USPC ..... D9/702-714, 720-722, 416-417,  
D9/695-696; D24/118-119, 207;  
(Continued)

(56) **References Cited**

U.S. PATENT DOCUMENTS

1,371,934 A	3/1921	Reynolds
1,899,696 A	2/1933	Karnofsky et al.
2,500,363 A	3/1950	Koeppel
4,541,117 A	9/1985	Davis et al.

(Continued)

*Primary Examiner* — Abraham Bahta

(74) *Attorney, Agent, or Firm* — Rankin, Hill & Clark LLP

(57) **CLAIM**

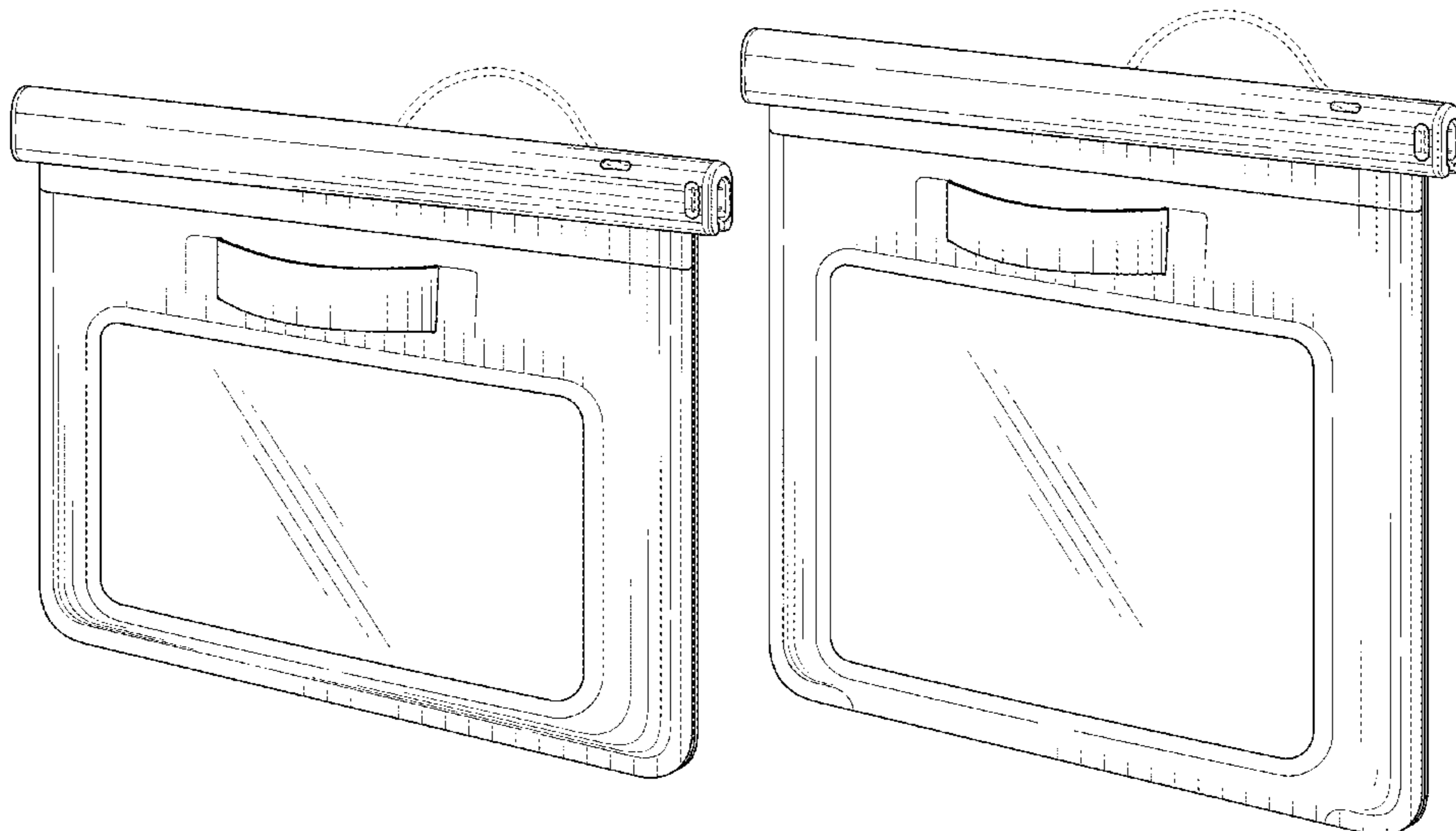
The ornamental design for a dry storage bag, as shown and described.

**DESCRIPTION**

FIG. 1 is a front perspective view of a first embodiment of a dry storage bag;

FIG. 2 is a front elevation view thereof;  
 FIG. 3 is a rear elevation view thereof;  
 FIG. 4 is a left side elevation view thereof;  
 FIG. 5 is a right side elevation view thereof;  
 FIG. 6 is a top plan view thereof;  
 FIG. 7 is a bottom plan view thereof;  
 FIG. 8 is a rear perspective view thereof;  
 FIG. 9 is a front perspective view of a second embodiment of a dry storage bag;  
 FIG. 10 is a front elevation view thereof;  
 FIG. 11 is a rear elevation view thereof;  
 FIG. 12 is a left side elevation view thereof;  
 FIG. 13 is a right side elevation view thereof;  
 FIG. 14 is a top plan view thereof;  
 FIG. 15 is a bottom plan view thereof;  
 FIG. 16 is a rear perspective view thereof;  
 FIG. 17 is a front perspective view of the second embodiment with a gusseted bottom expanded;  
 FIG. 18 is a rear perspective view of the second embodiment with the gusseted bottom expanded;  
 FIG. 19 is a lower perspective view of the second embodiment with the gusseted bottom expanded;  
 FIG. 20 is a front perspective view of a third embodiment of a dry storage bag;  
 FIG. 21 is a front elevation view thereof;  
 FIG. 22 is a rear elevation view thereof;  
 FIG. 23 is a left side elevation view thereof;  
 FIG. 24 is a right side elevation view thereof;  
 FIG. 25 is a top plan view thereof;  
 FIG. 26 is a bottom plan view thereof;  
 FIG. 27 is a rear perspective view thereof;  
 FIG. 28 a front perspective view of the third embodiment with a gusseted bottom expanded;  
 FIG. 29 is a rear perspective view of the third embodiment with the gusseted bottom expanded; and,  
 FIG. 30 is a lower perspective view of the third embodiment with the gusseted bottom expanded.  
 The broken lines in the drawings depict portions of the dry storage bag that form no part of the claimed design.

**1 Claim, 21 Drawing Sheets**



(58) **Field of Classification Search**

USPC .. 383/200, 207, 38, 208-209, 63, 61.1, 113,  
383/6; 229/87.06, 87.03, 87.08;  
426/106, 115, 119-120, 122, 410;  
222/94, 107, 541.1, 92, 541.2; 206/811,  
206/229, 484; 219/727; D3/201, 232,  
D3/240, 245; 150/107

CPC ..... B65D 33/25; B65D 33/008; B65D 33/20;  
B65D 33/24; B65D 33/165; B65D  
33/1608; B65D 11/00; B65D 11/18;  
B65D 11/10; B65D 17/00; B65D 17/16;  
B65D 17/161; B65D 17/163; B65D  
17/20; B65D 81/00; B65D 81/246; B65D  
81/36; B65D 81/24; B65D 81/2084; B65F  
1/006; B65F 1/062; B65F 1/1415

See application file for complete search history.

(56)

**References Cited**

U.S. PATENT DOCUMENTS

6,074,094	A	6/2000	Manolizi et al.	
7,503,696	B2	3/2009	Ha et al.	
7,896,548	B2	3/2011	Crunkleton et al.	
8,043,005	B2	10/2011	Lyon et al.	
8,186,881	B2	5/2012	Lyon et al.	
D825,184	S	8/2018	Munie	
D848,858	S *	5/2019	Tastan .....	D9/705
D865,363	S *	11/2019	Liu .....	D3/303
D926,558	S *	8/2021	Zeng .....	D8/367
2003/0189141	A1	10/2003	Turvey et al.	
2009/0110335	A1	4/2009	Lebouef	
2010/0040307	A1	2/2010	Lien	
2010/0278455	A1	11/2010	Lyden et al.	
2014/0158558	A1	6/2014	Ye	
2014/0226920	A1	8/2014	Passavia	
2016/0130040	A1	5/2016	Yeh	

\* cited by examiner

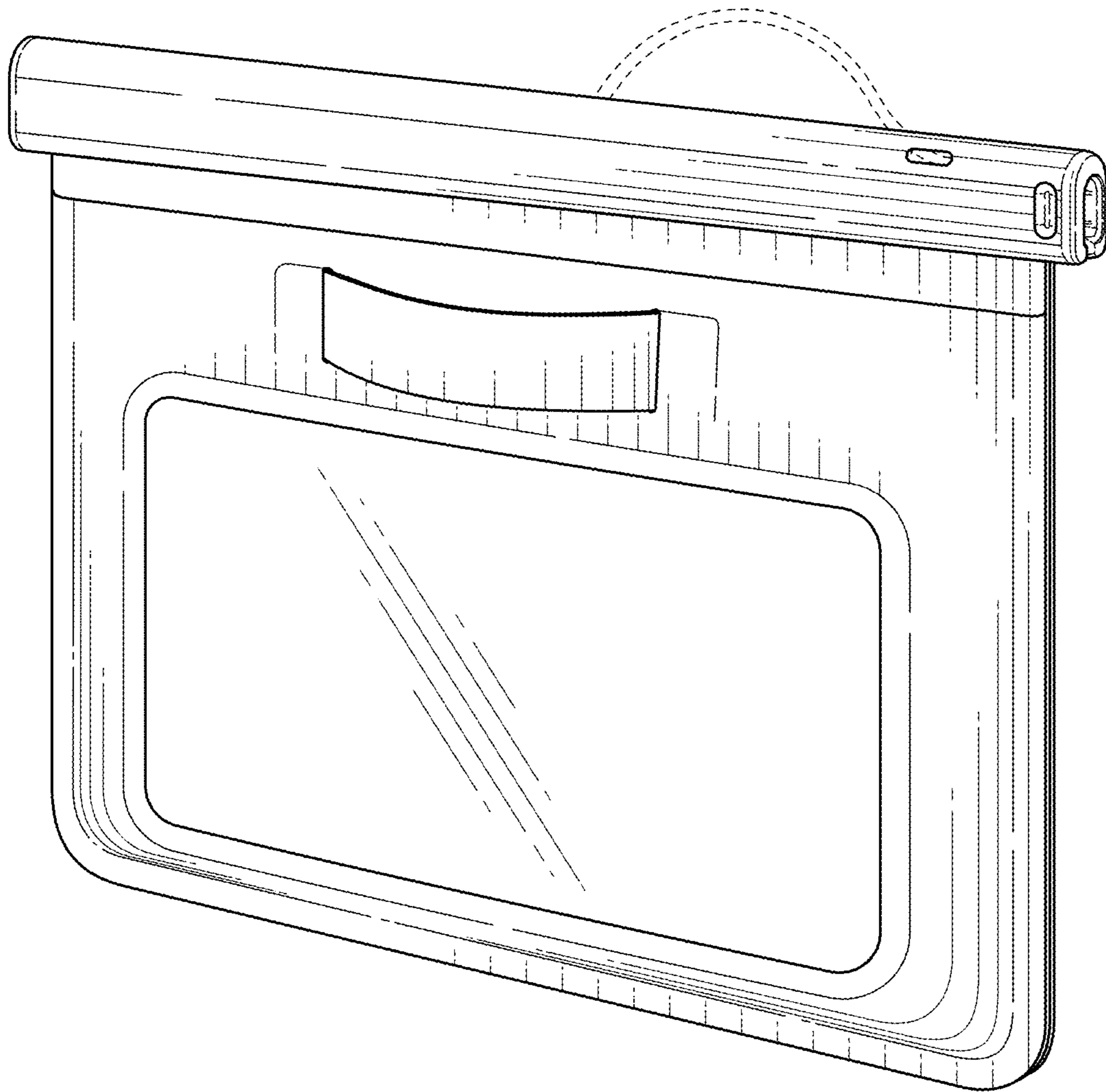


FIG. 1

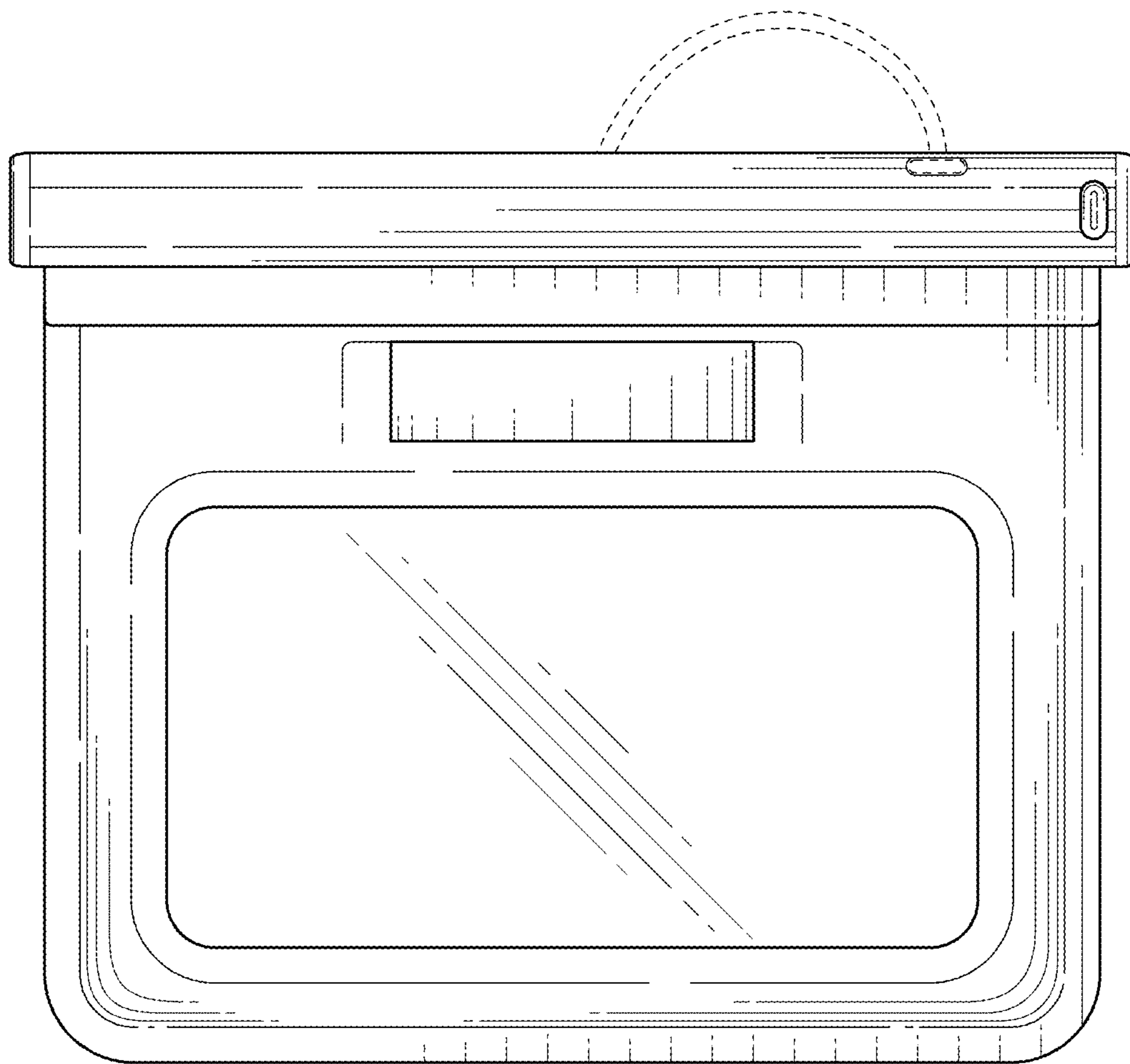


FIG. 2

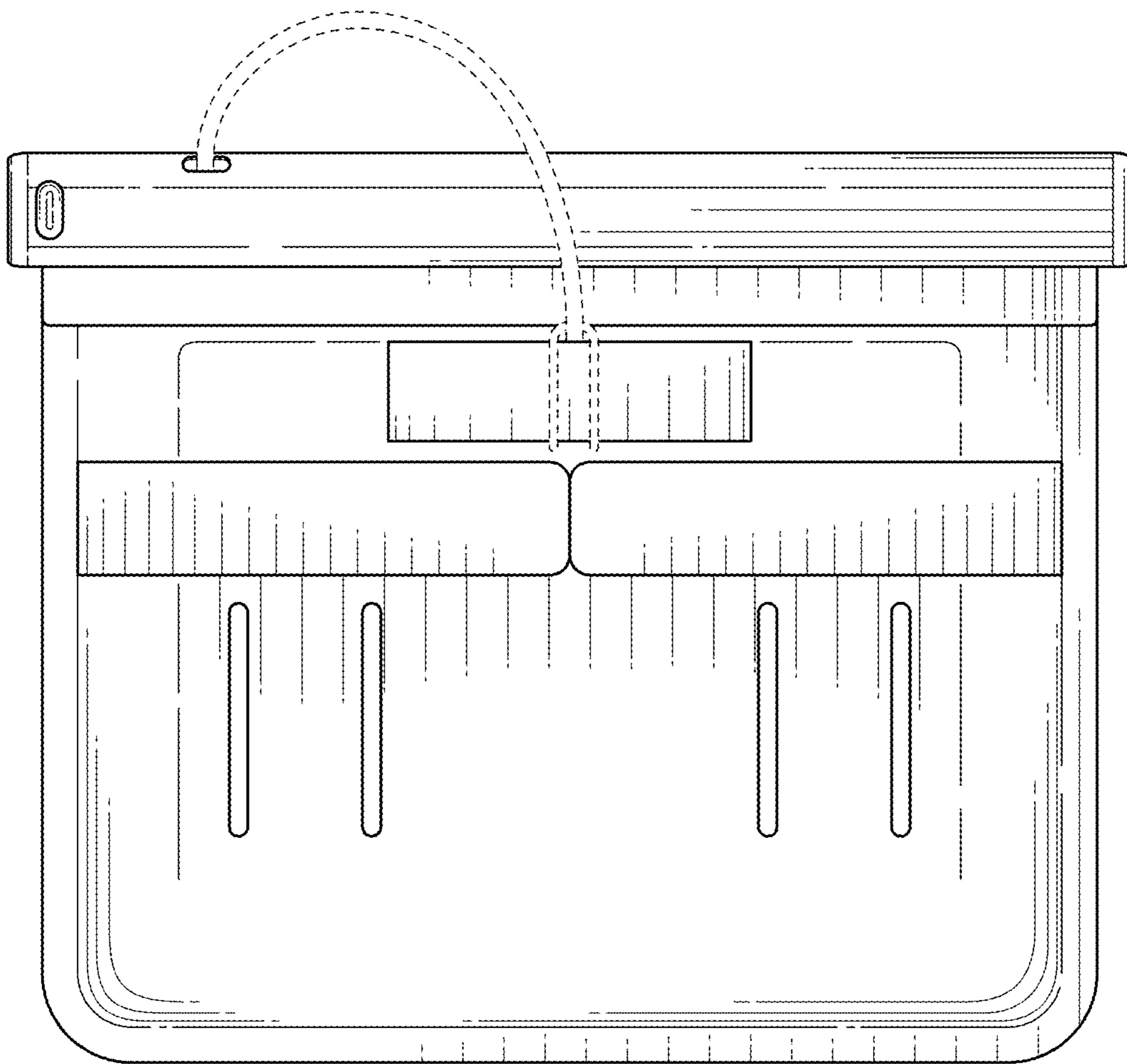


FIG. 3

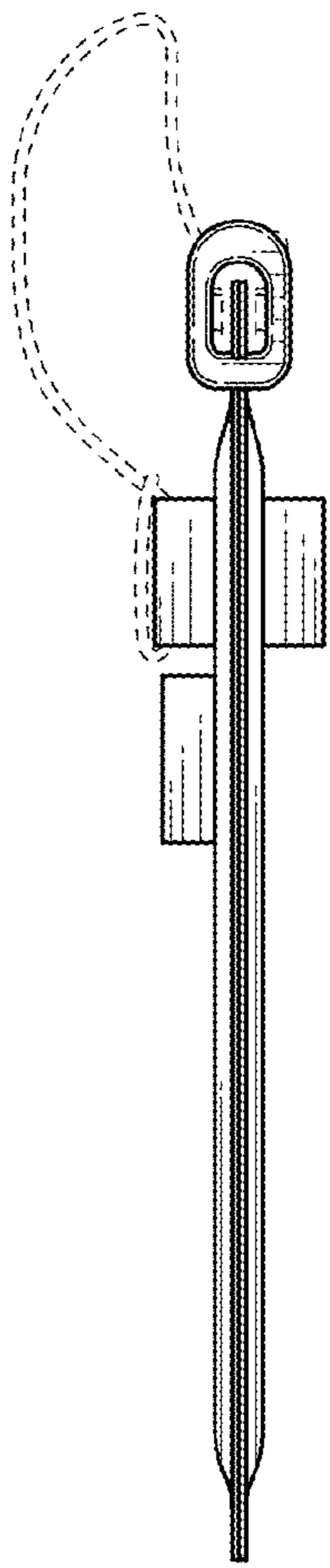


FIG. 4

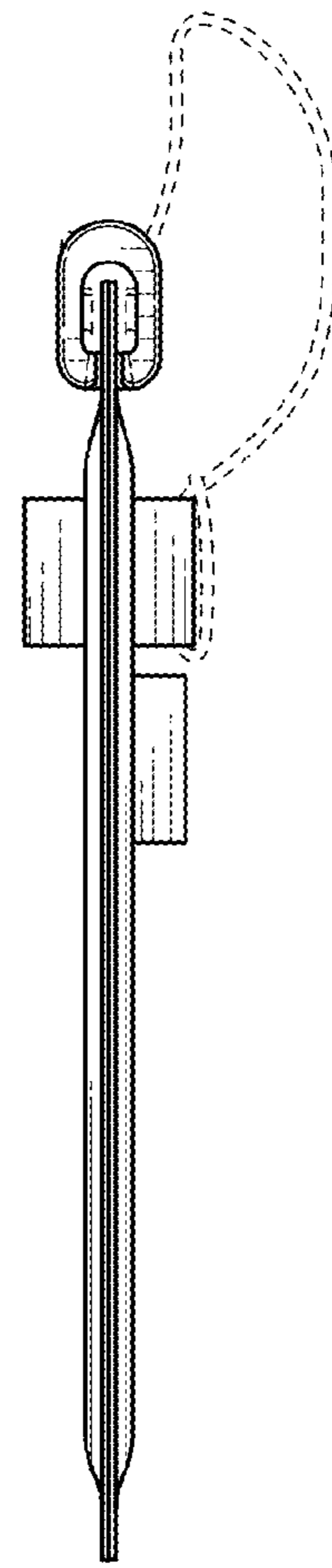


FIG. 5

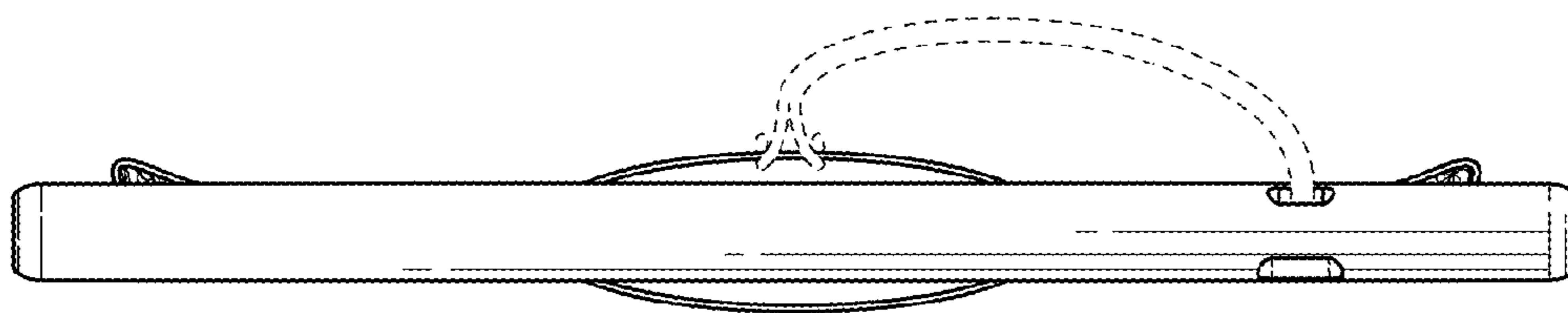


FIG. 6

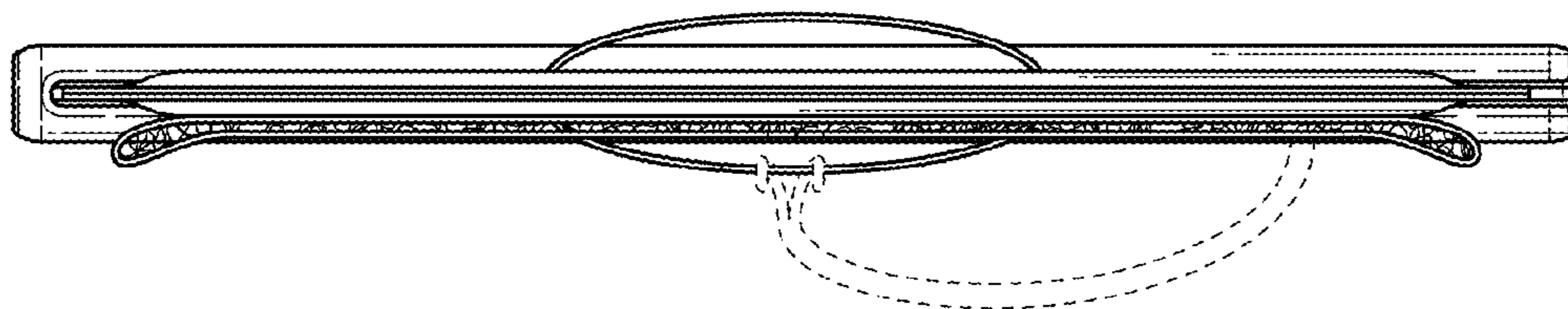


FIG. 7

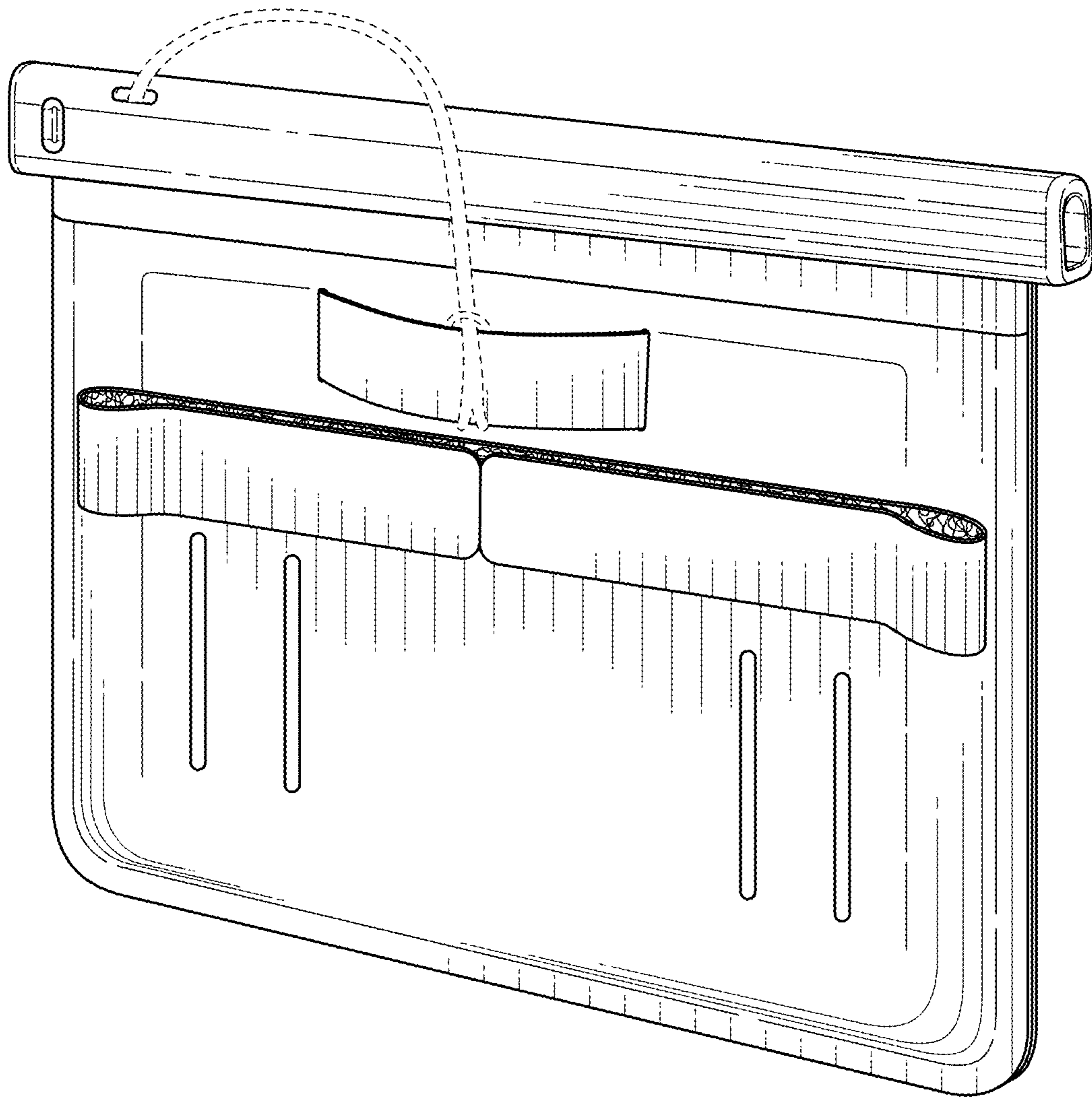


FIG. 8

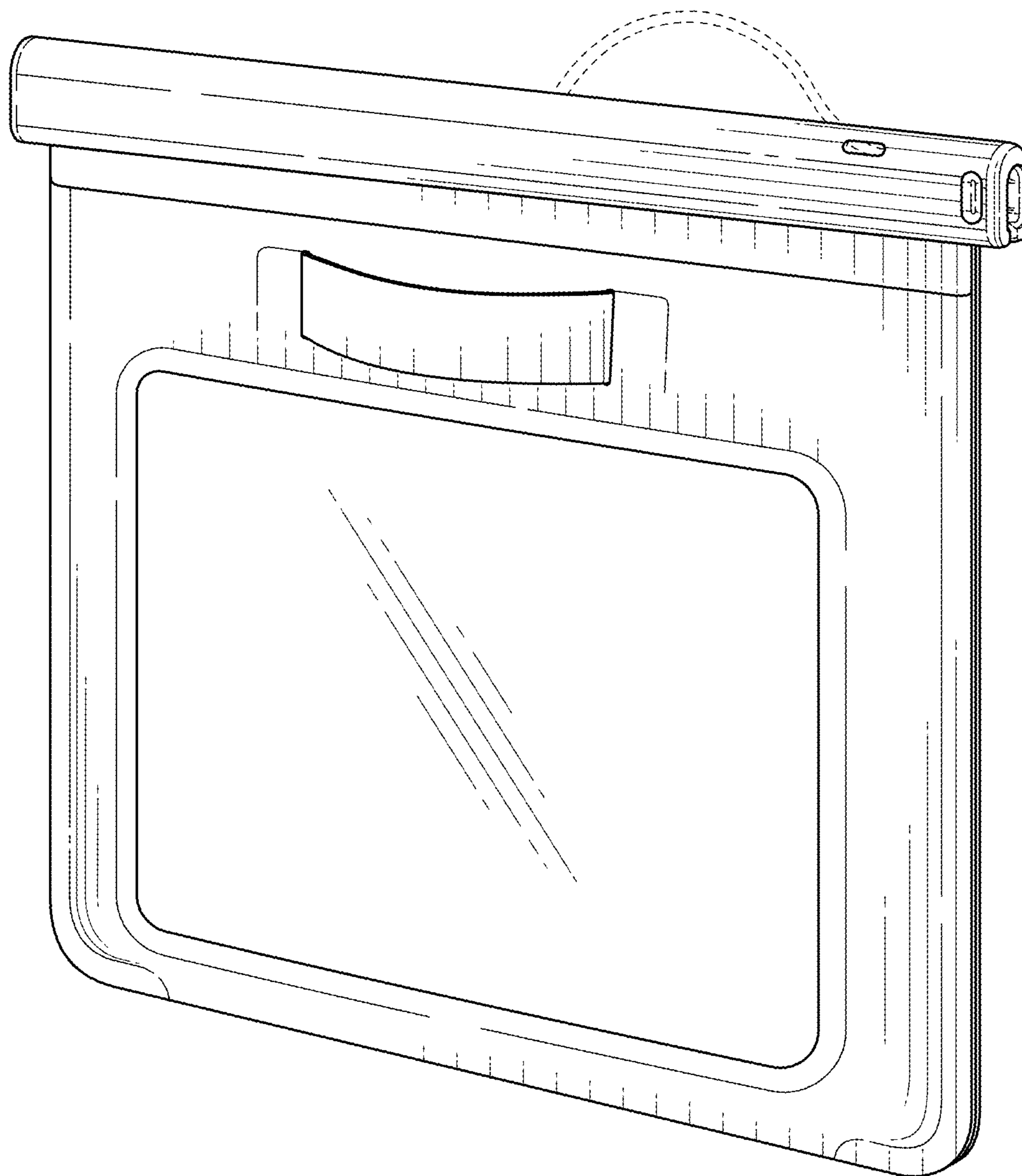


FIG. 9



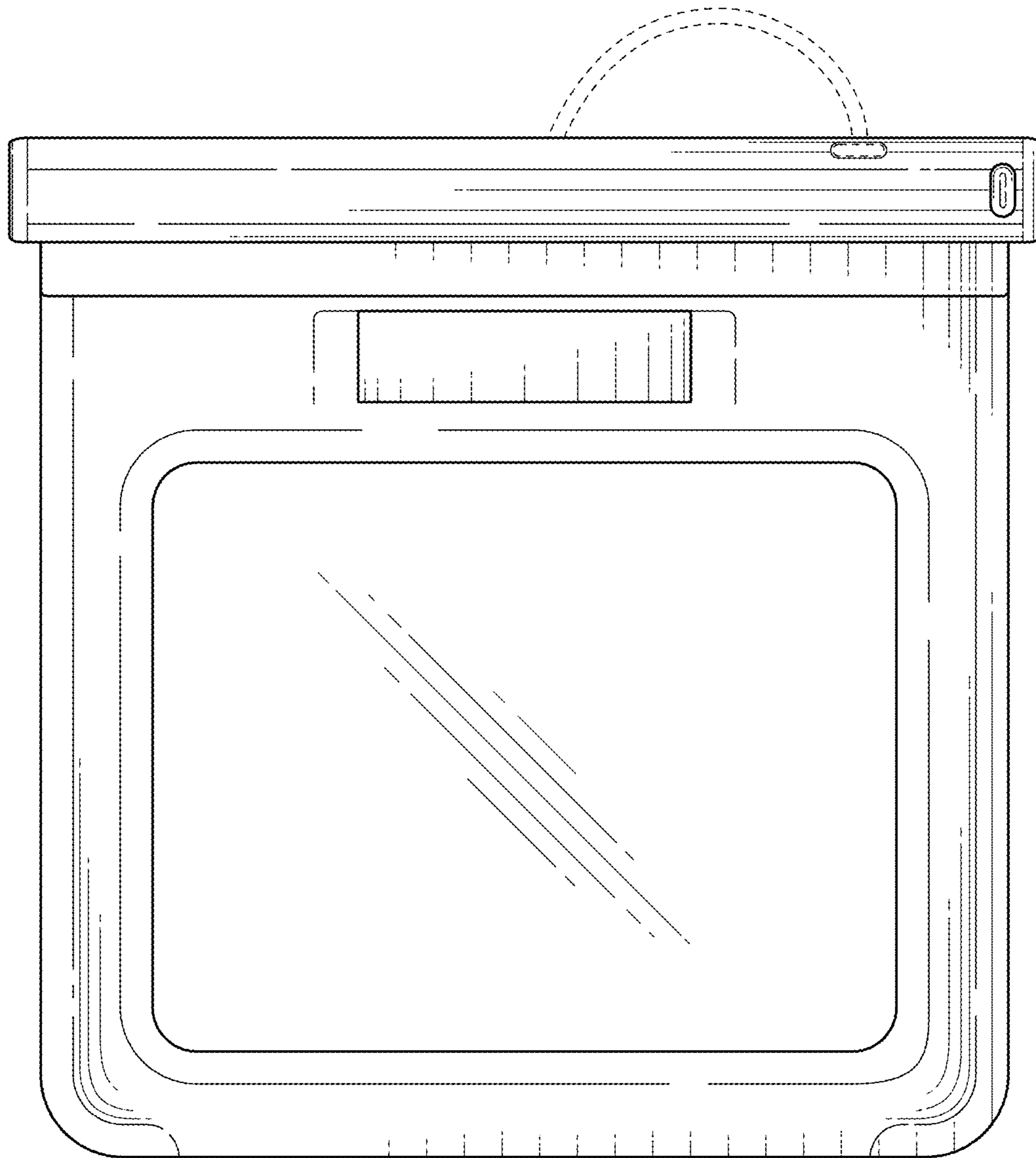


FIG. 10

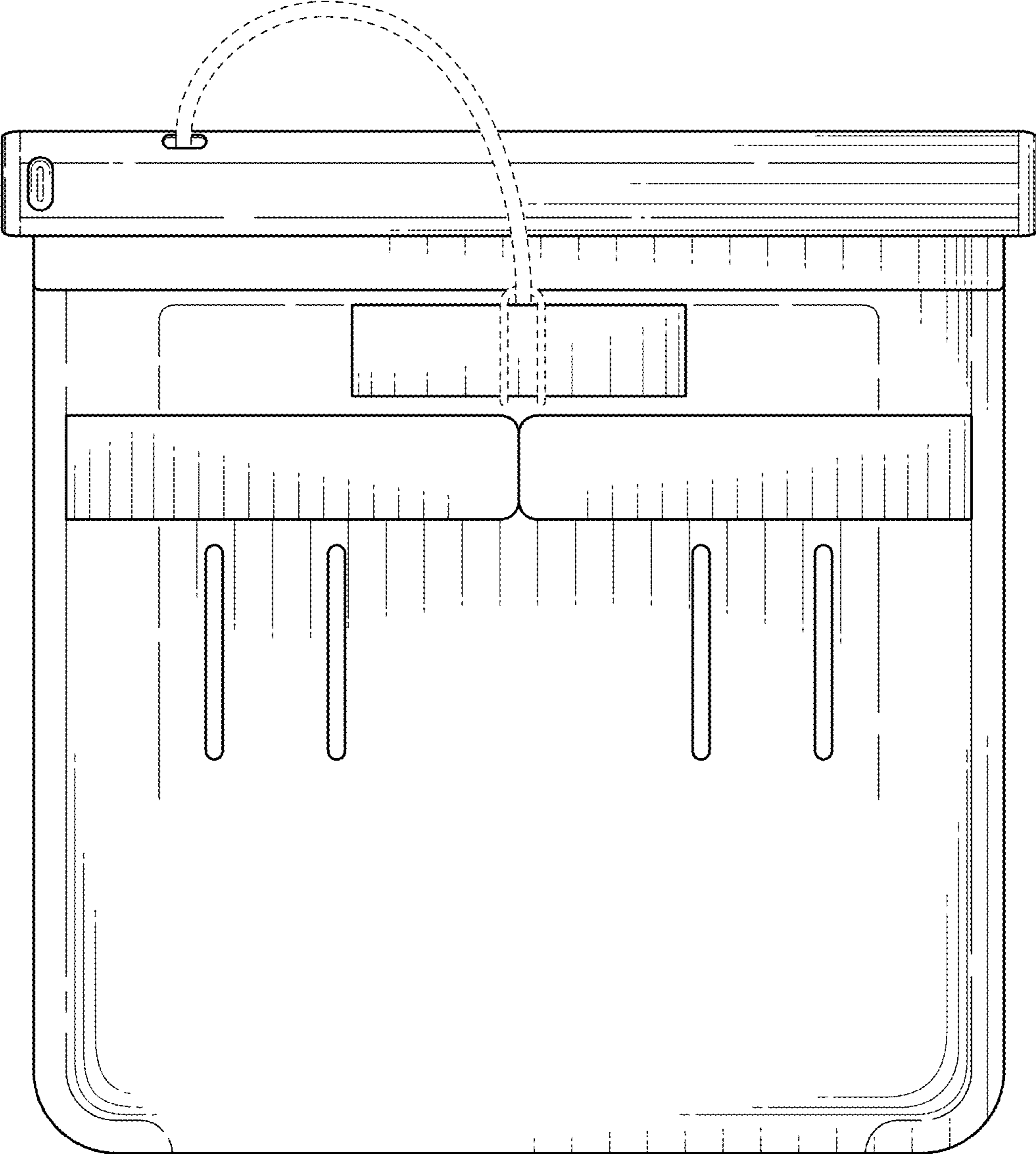


FIG. 11

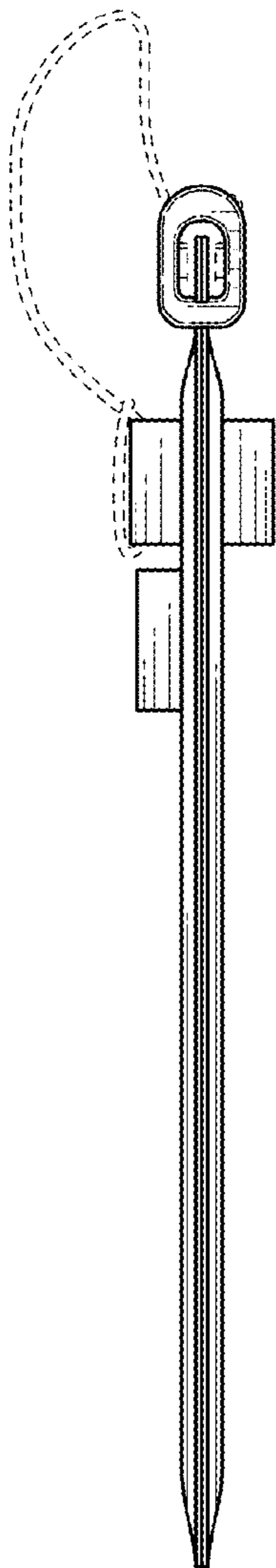


FIG. 12

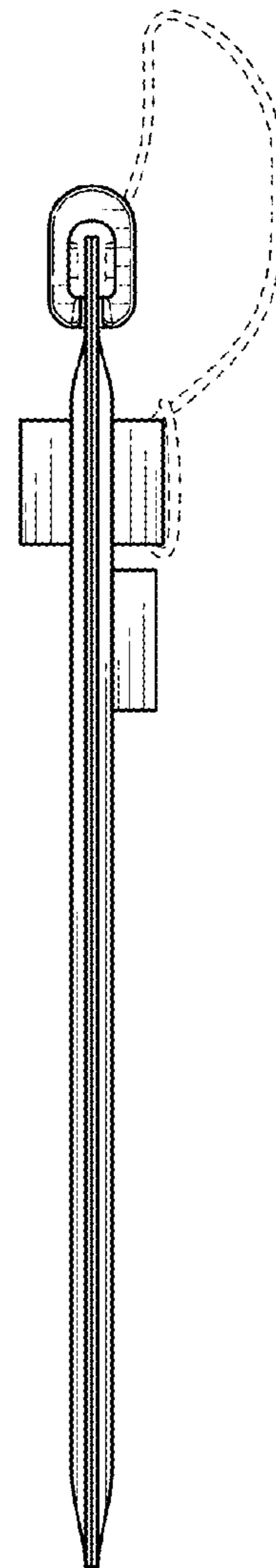


FIG. 13

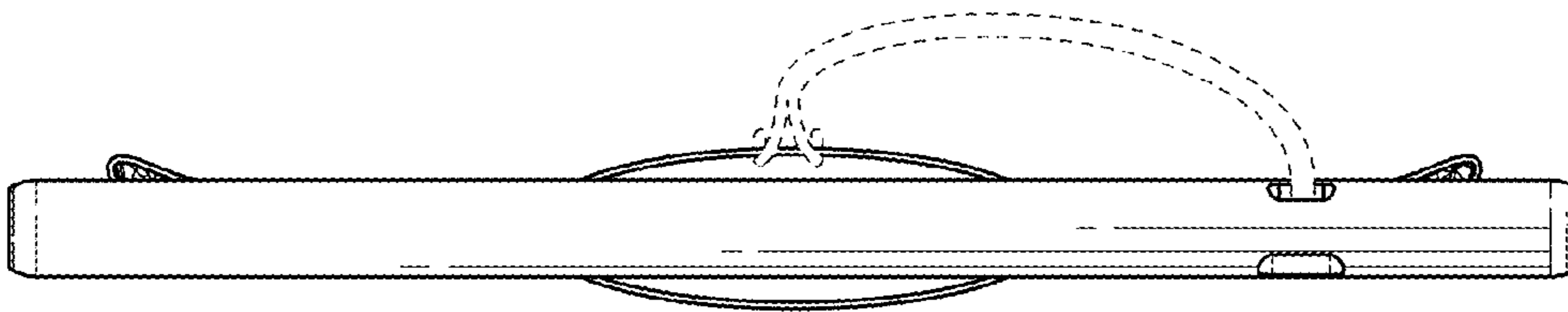


FIG. 14

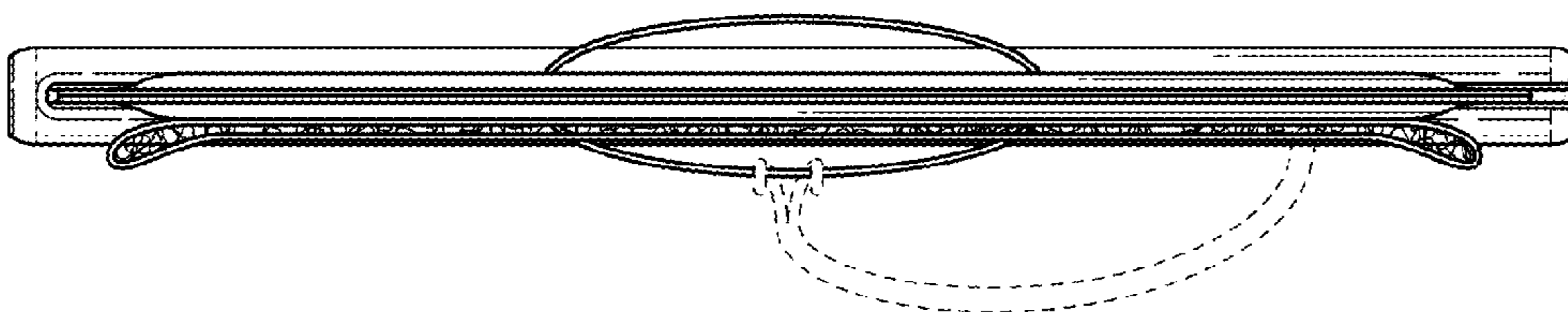


FIG. 15

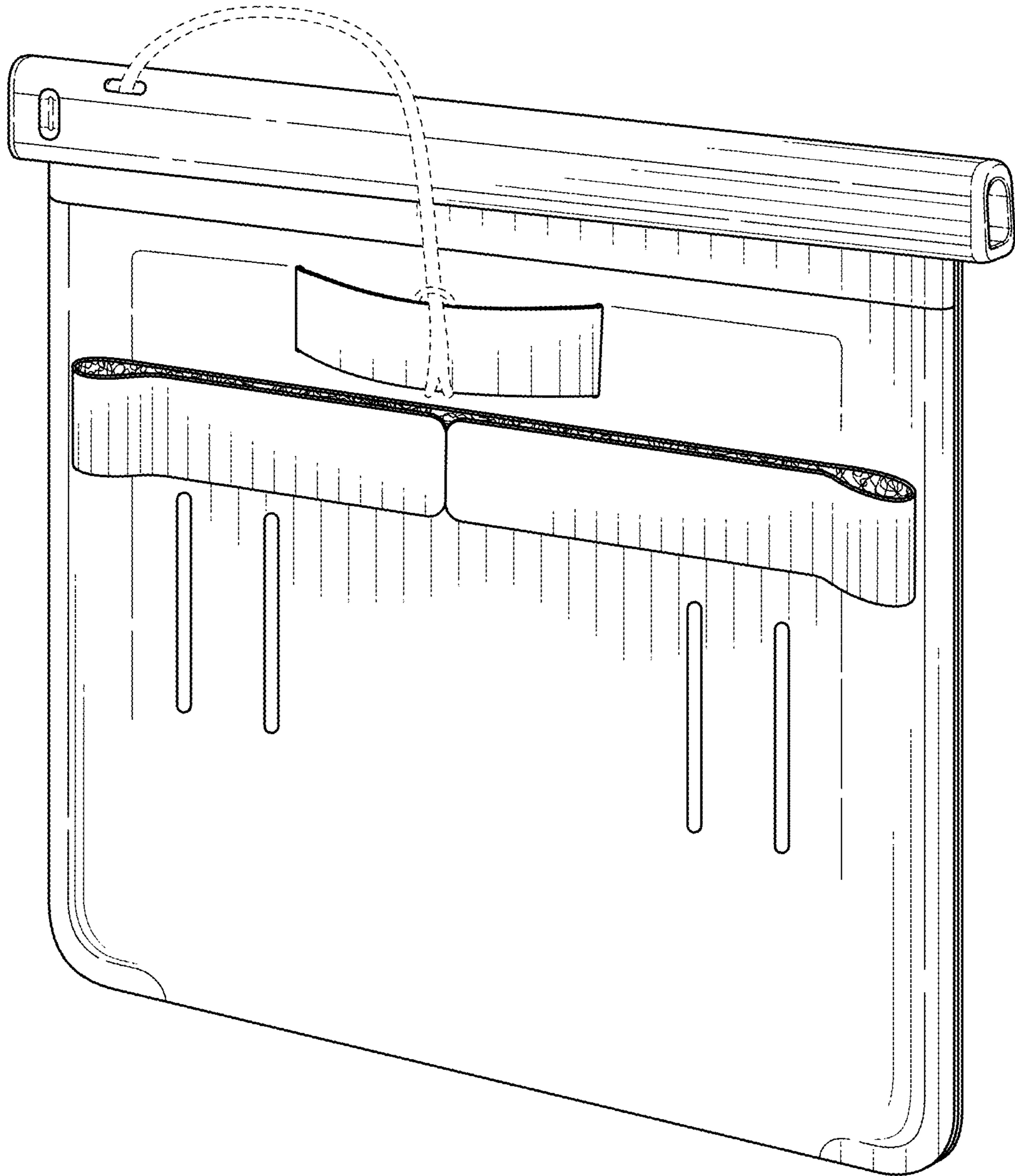


FIG. 16

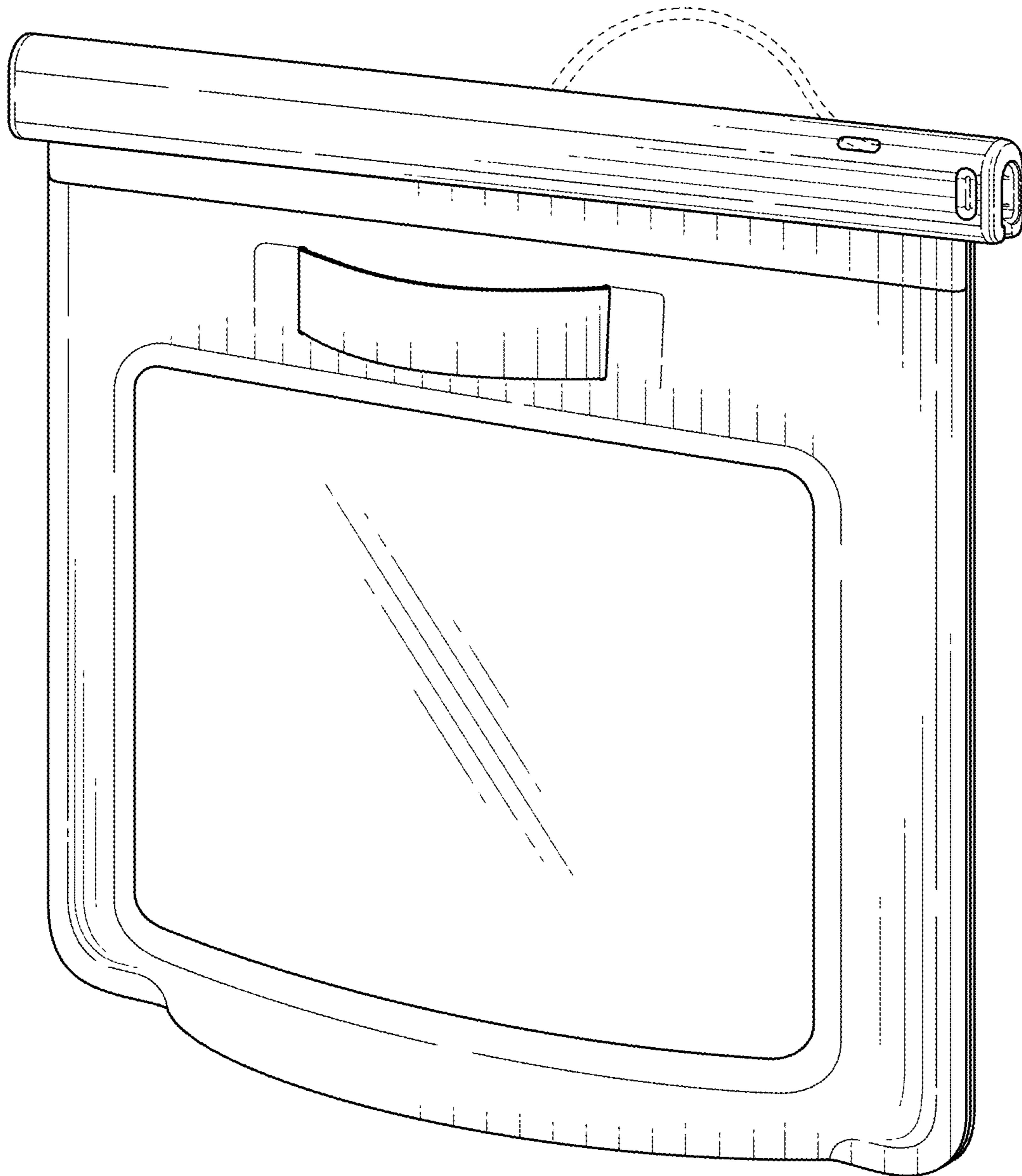


FIG. 17

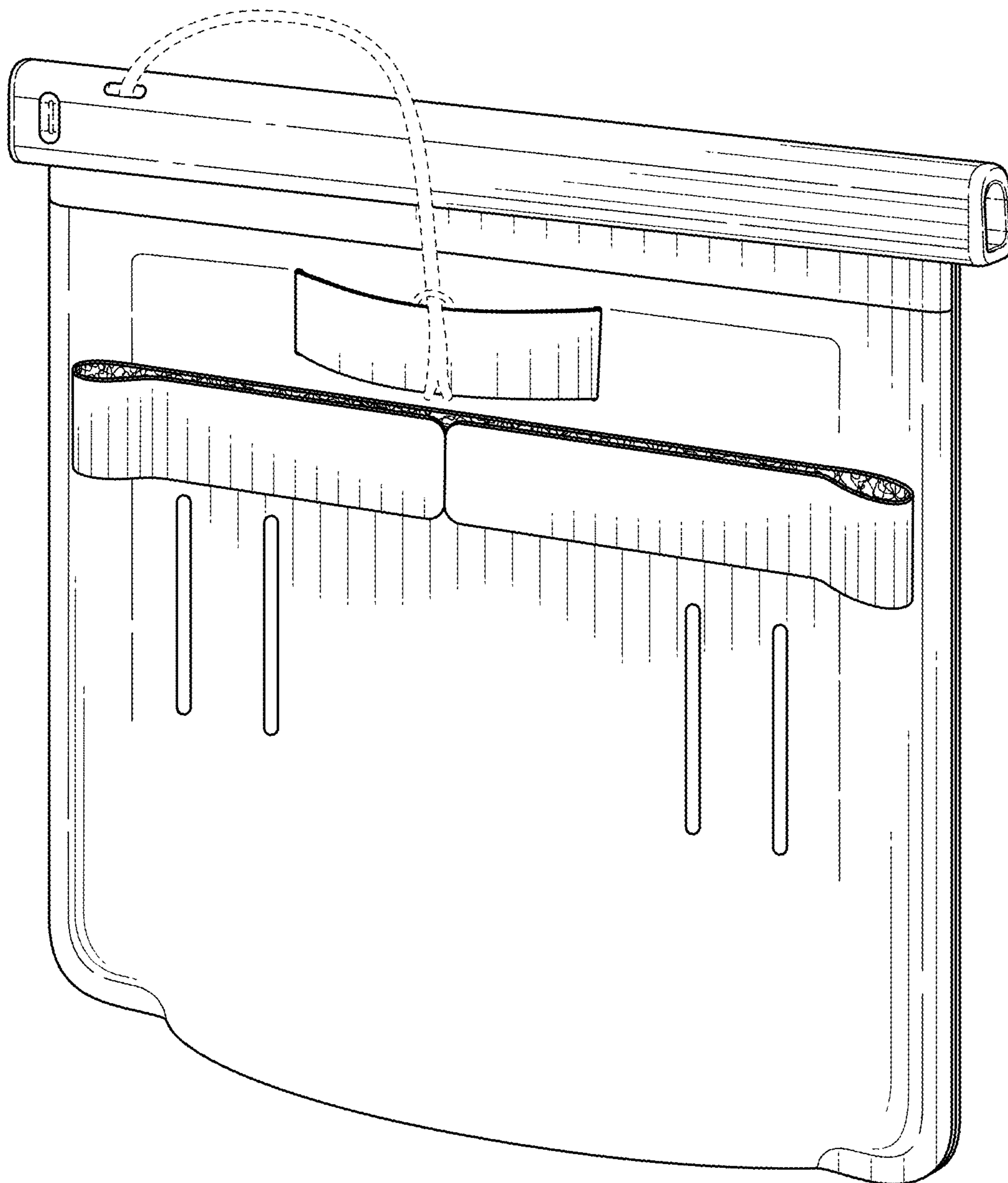


FIG. 18

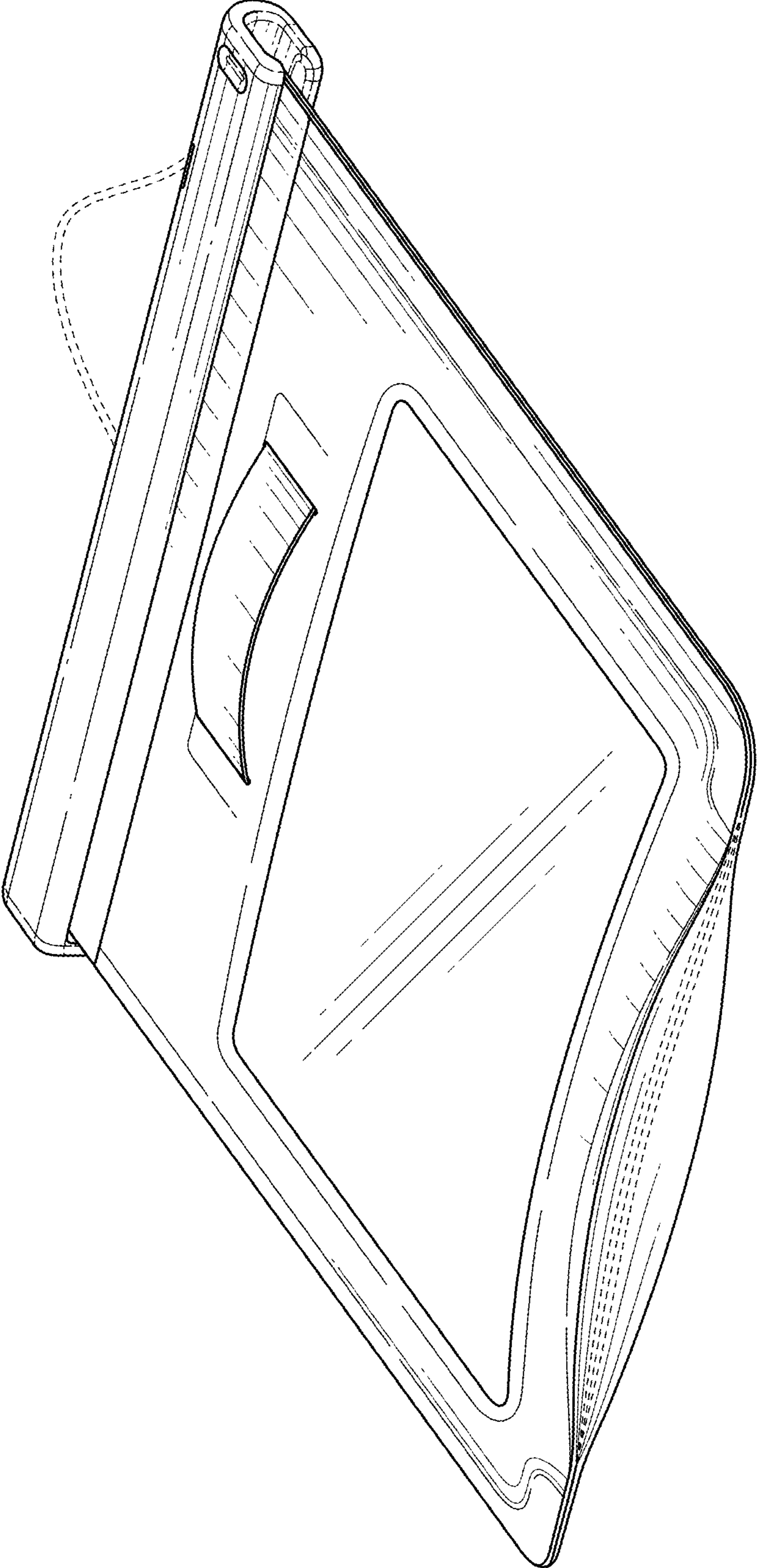


FIG. 19

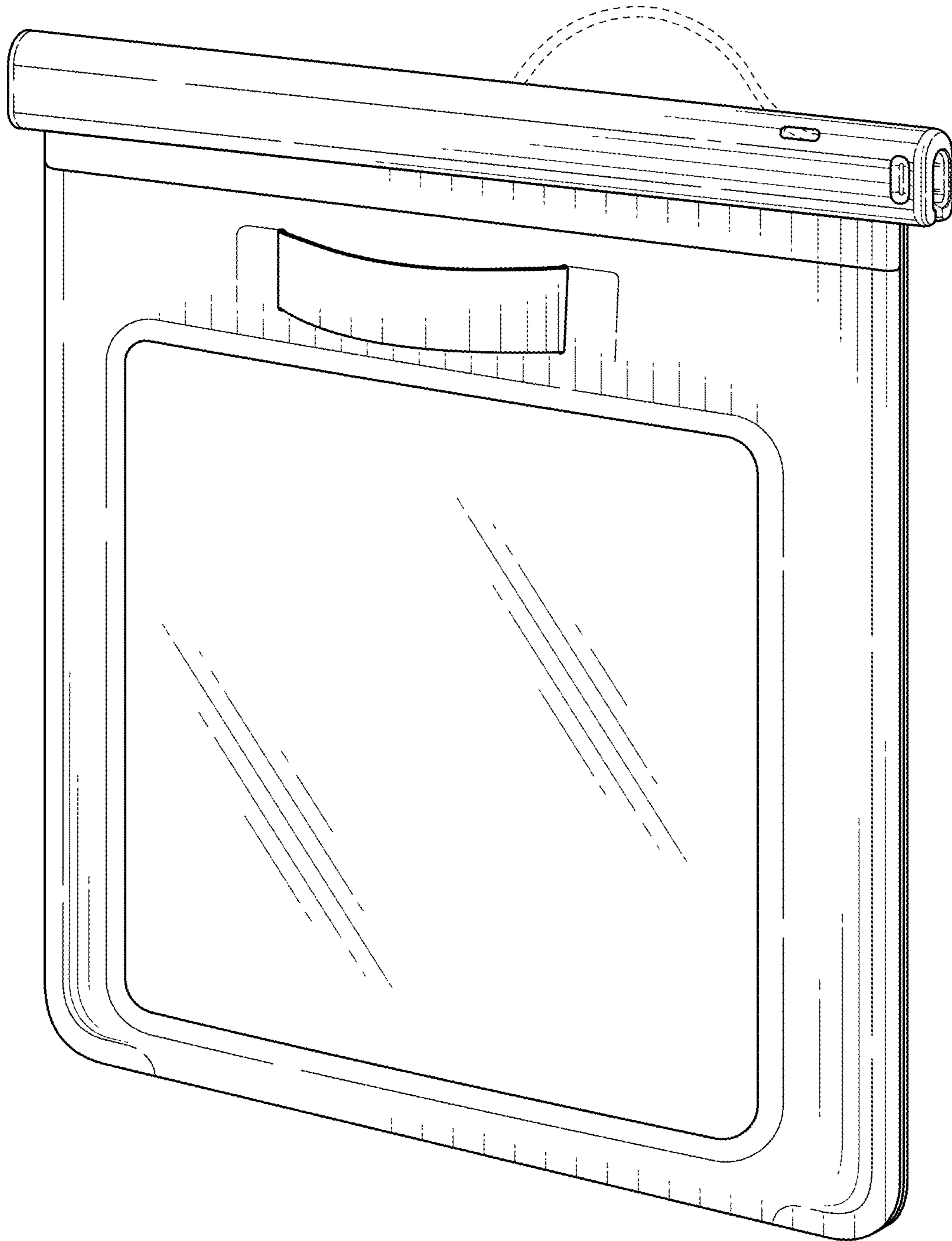


FIG. 20



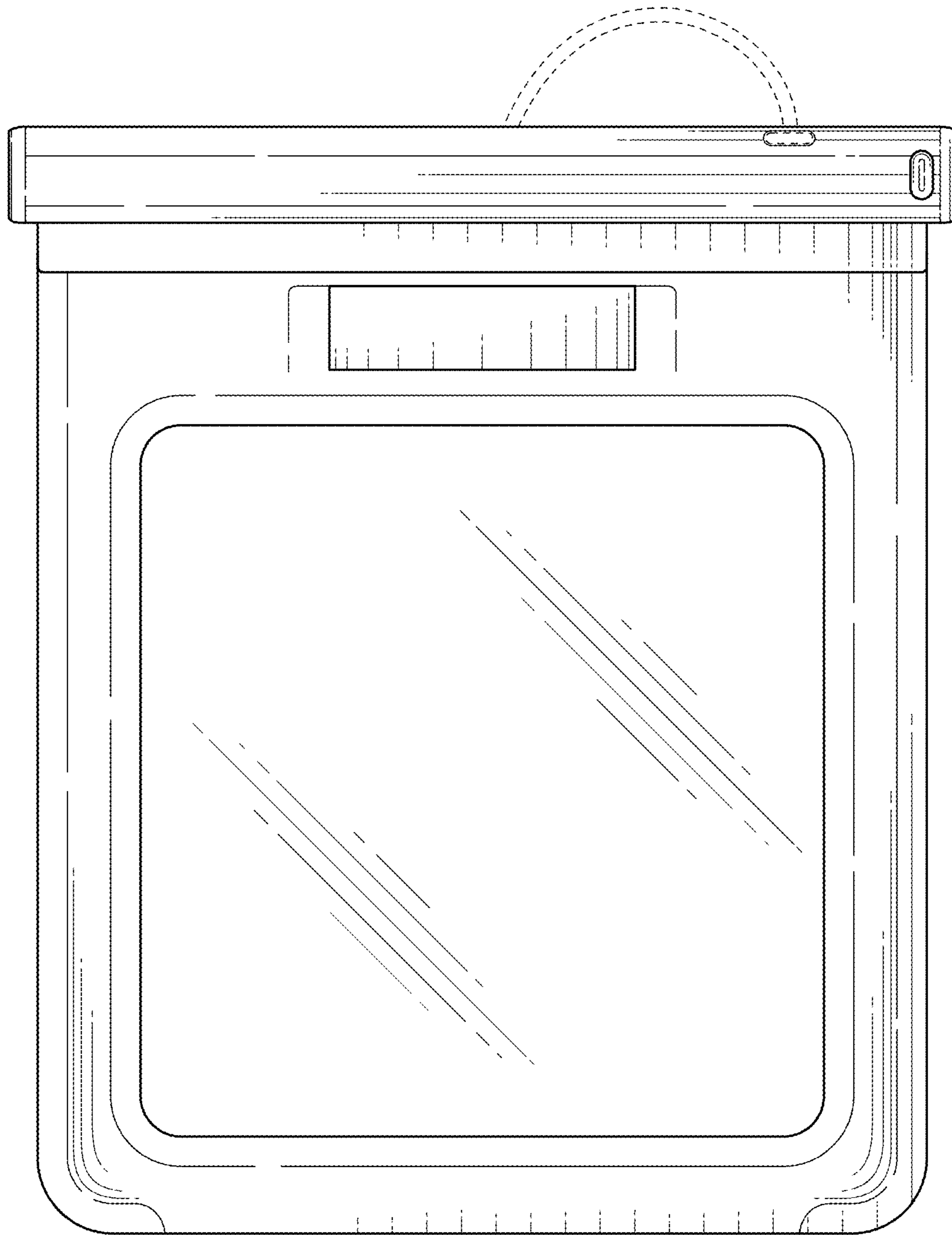


FIG. 21

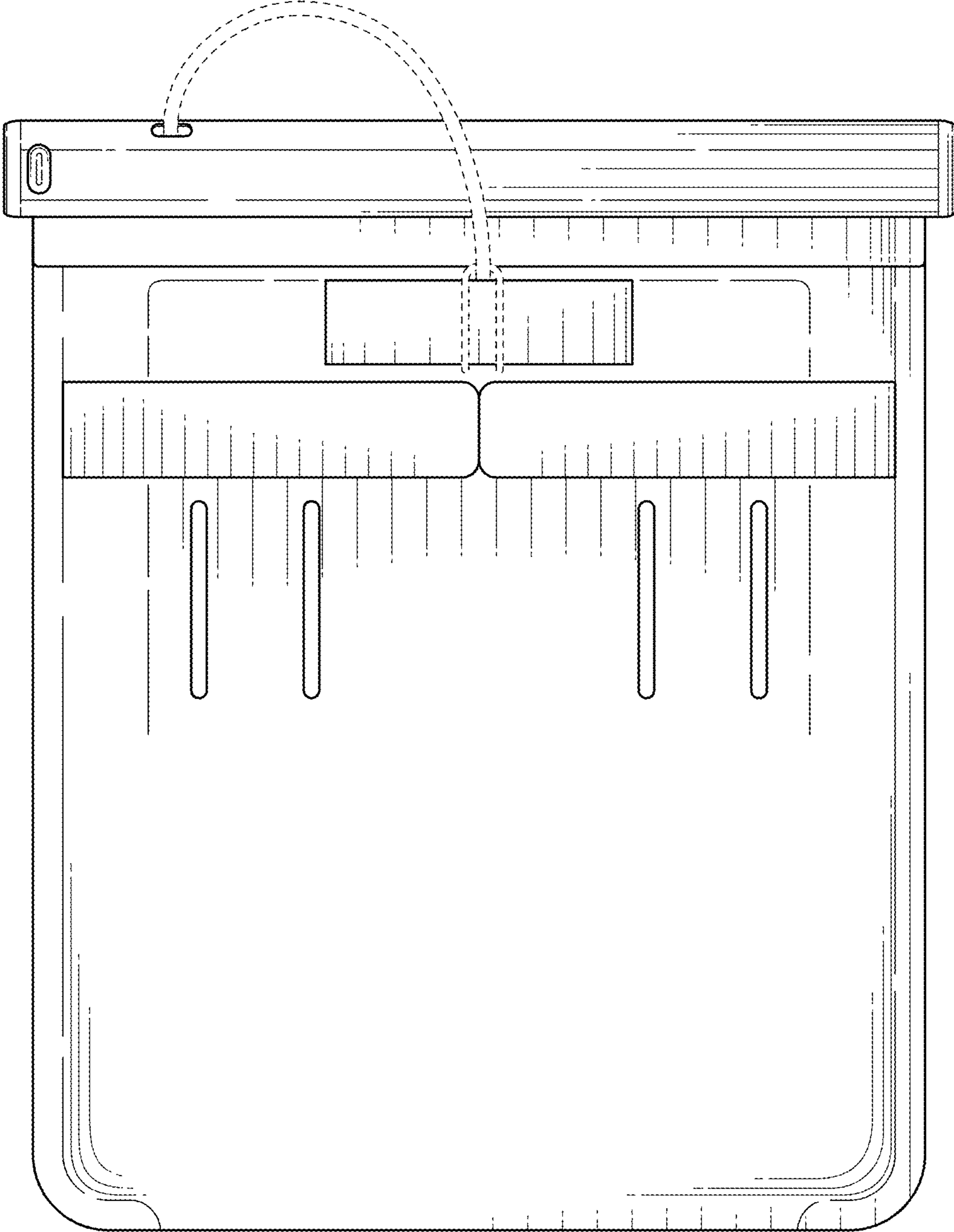


FIG. 22

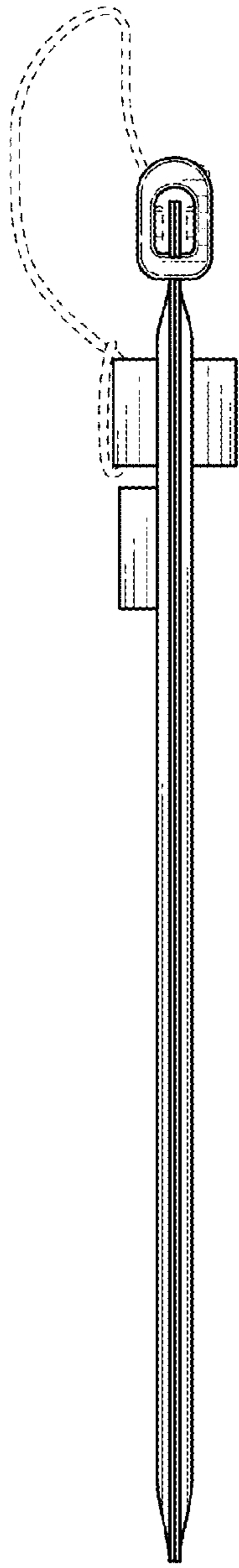


FIG. 23

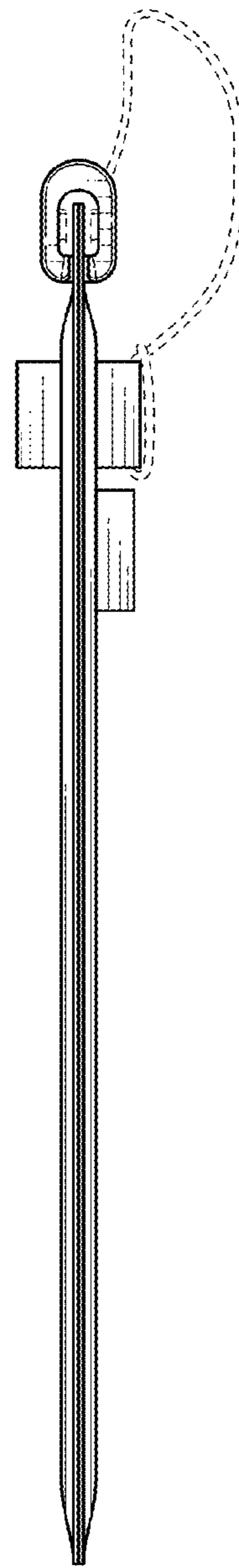


FIG. 24

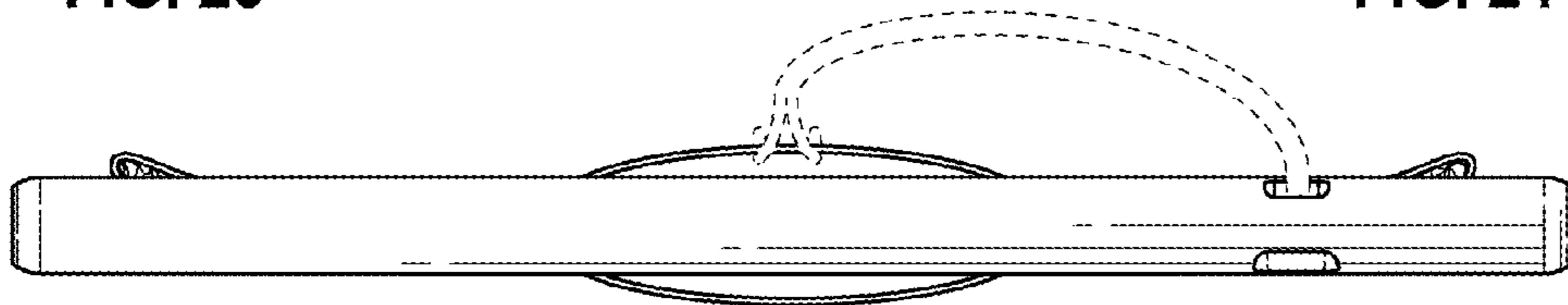


FIG. 25

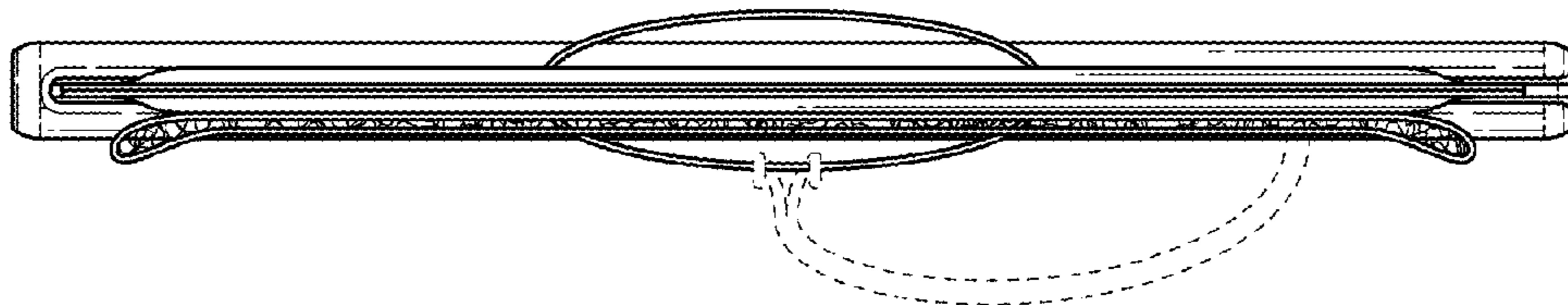


FIG. 26

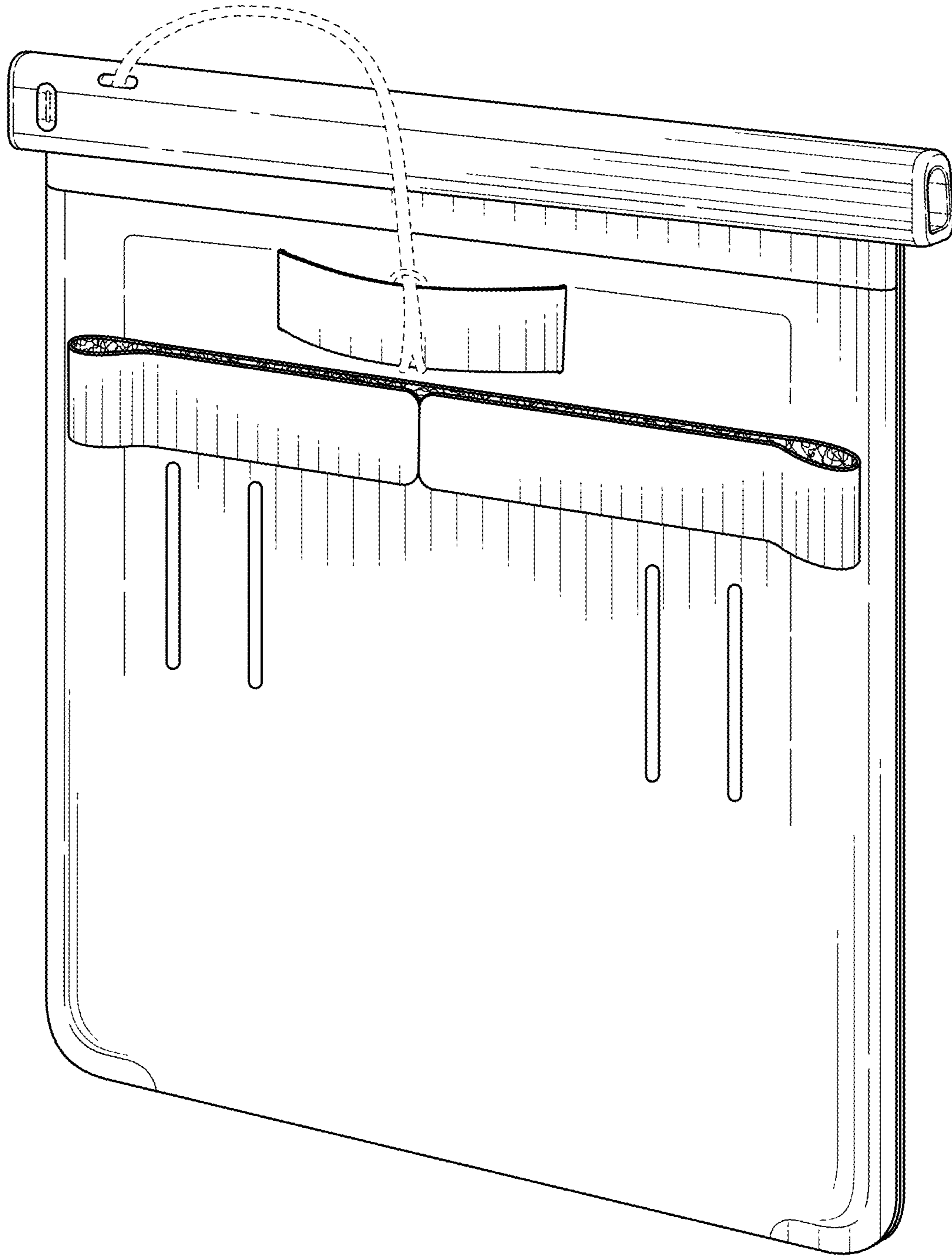


FIG. 27

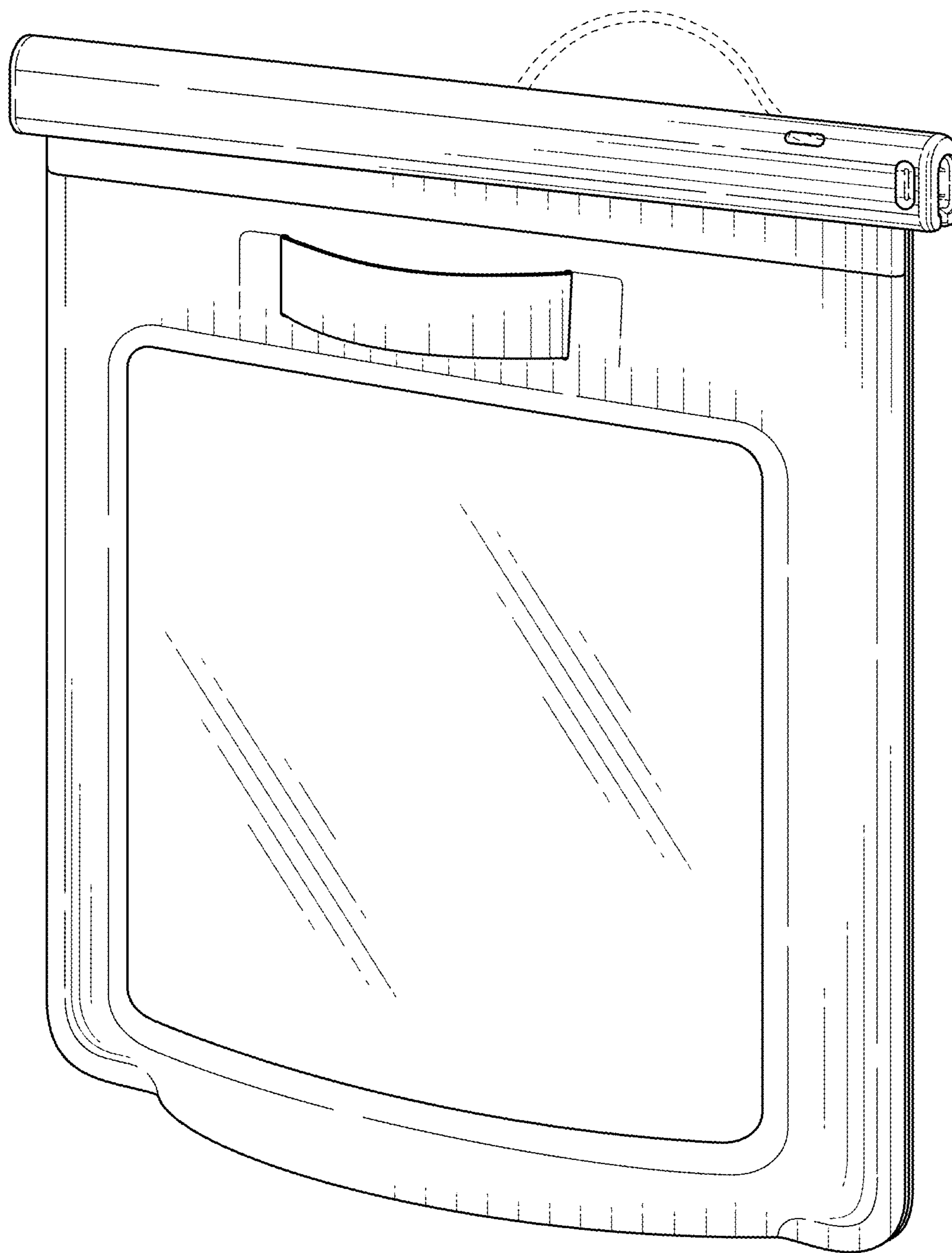


FIG. 28

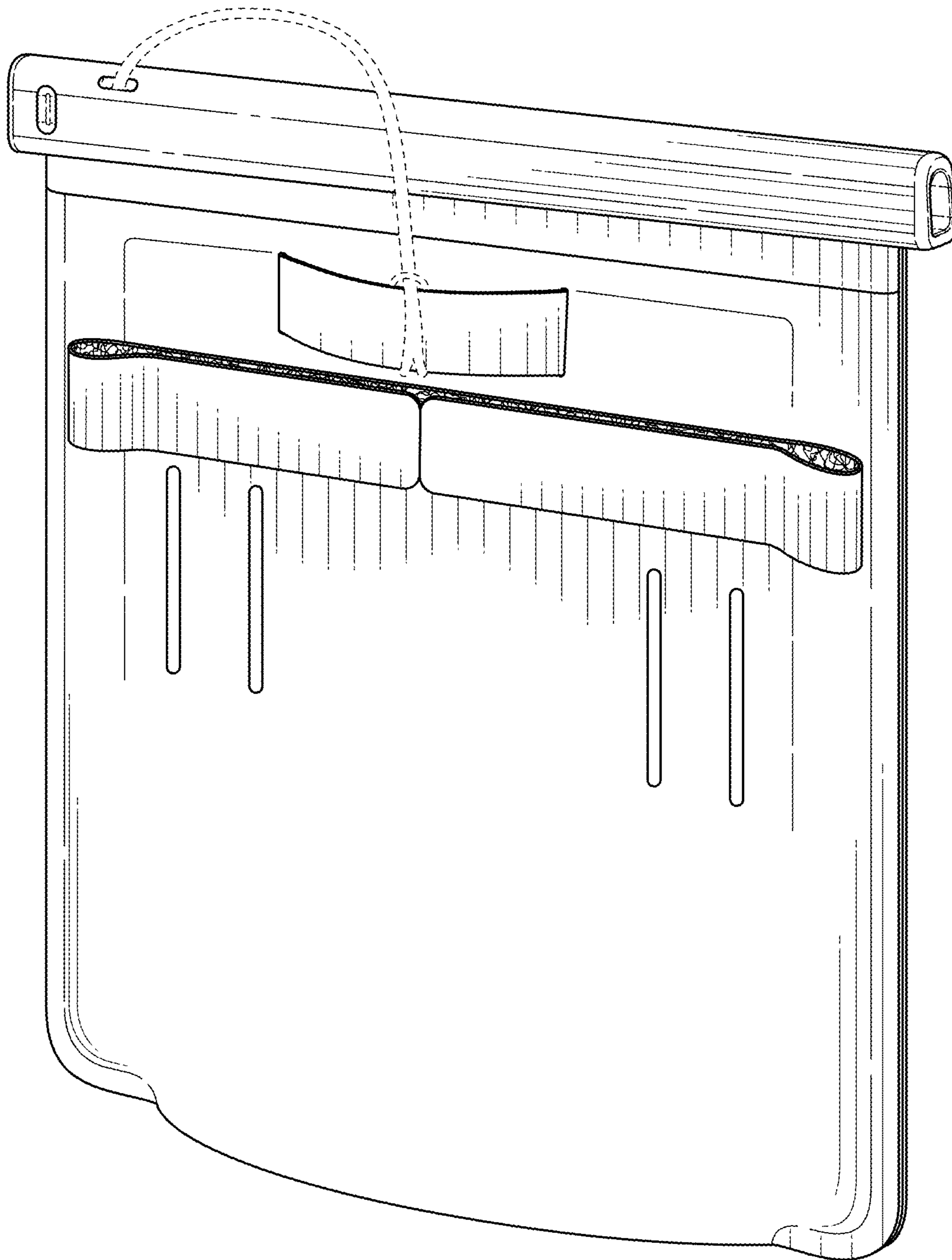


FIG. 29

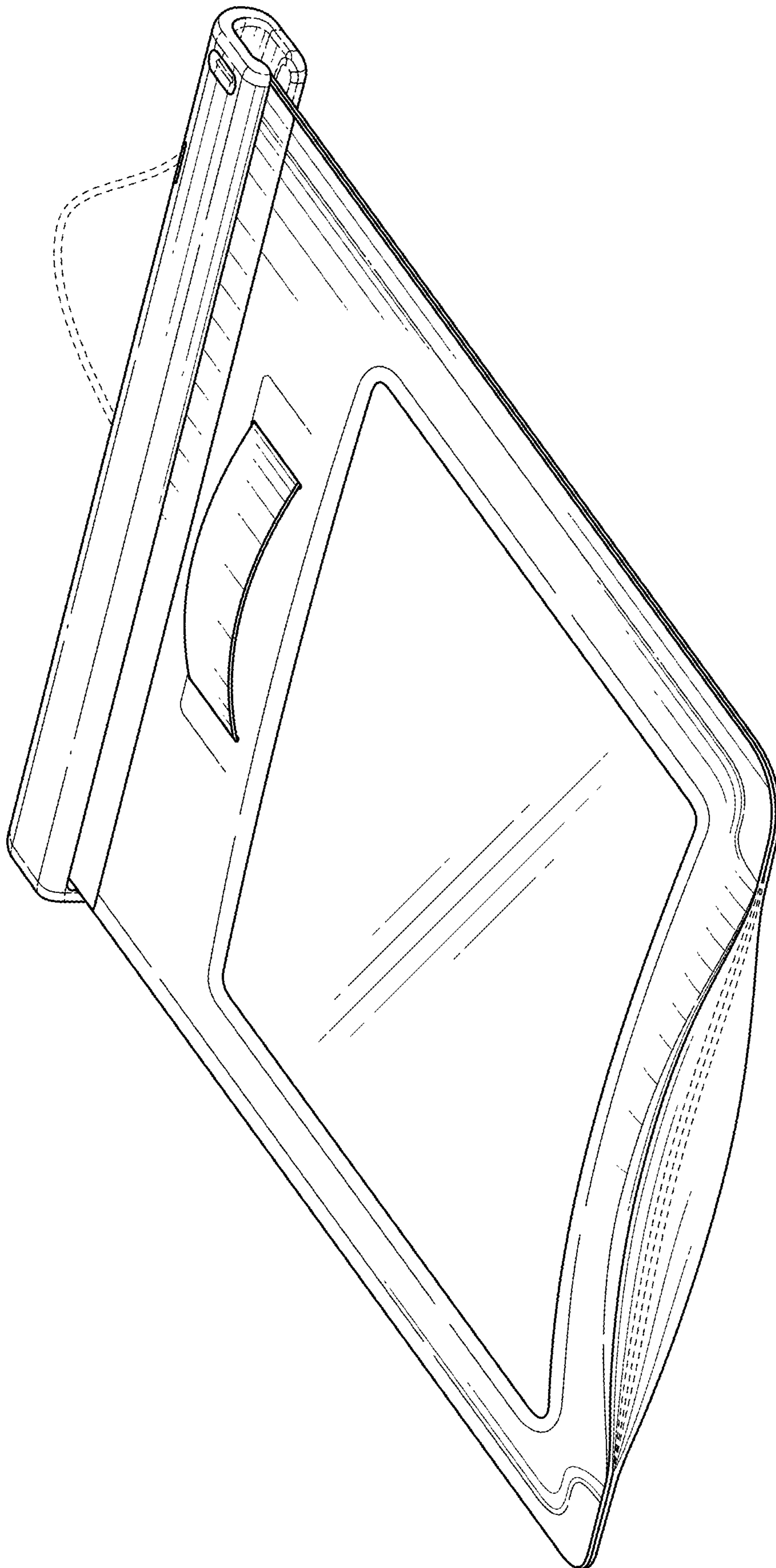


FIG. 30