



US00D940562S

(12) **United States Design Patent** (10) **Patent No.:** **US D940,562 S**  
**Ignatenko** (45) **Date of Patent:** **\*\* Jan. 11, 2022**

(54) **BEVERAGE BOTTLE**

(71) Applicant: **F&I Beverages AG**, Zug (CH)

(72) Inventor: **Dmitriy Ignatenko**, Chisinau (MD)

(\*\*) Term: **15 Years**

(21) Appl. No.: **35/509,236**

(22) Filed: **Mar. 26, 2020**

(80) **Hague Agreement Data**

Int. Filing Date: **Mar. 26, 2020**

Int. Reg. No.: **DM/207402**

Int. Reg. Date: **Mar. 26, 2020**

Int. Reg. Pub. Date: **May 1, 2020**

(30) **Foreign Application Priority Data**

Sep. 27, 2019 (RU) ..... RU2019504229

(51) **LOC (13) Cl.** ..... **09-01**

(52) **U.S. Cl.**

USPC ..... **D9/614**; D9/602; D9/500; D9/505

(58) **Field of Classification Search**

USPC ..... D9/500, 516, 537, 539, 549, 763-783

CPC ..... B21D 51/26; B21D 51/383; B29C 66/71;

B65D 1/00; B65D 1/02; B65D 1/12;

B65D 1/14; B65D 1/40; B65D 1/44;

B65D 1/023; B65D 1/0223; B65D 1/165;

B65D 1/238; B65D 1/246; B65D 1/253;

B65D 7/04; B65D 21/0209; B65D

21/0233; B65D 25/00; B65D 25/28;

B65D 41/0457; B65D 41/17; B65D

53/06; B65D 75/56; B65D 79/005; B65D

2501/0036; B65D 2543/00064; B65D

2543/00074; B65D 2543/00083; B65D

2543/00092; B65D 2543/00101; B65D

2543/00111; Y10T 29/49826

See application file for complete search history.

(56) **References Cited**

U.S. PATENT DOCUMENTS

D652,720	S	*	1/2012	Pelkey	.....	D9/500
D696,116	S	*	12/2013	Jacober	.....	D9/500
D786,076	S	*	5/2017	Redondo	.....	D9/500
D796,958	S	*	9/2017	Letamendi	.....	D9/516
D813,675	S	*	3/2018	Matauch	.....	D9/500
D813,677	S	*	3/2018	Pelkey	.....	D9/500
D815,530	S	*	4/2018	Paredes	.....	D9/500
D840,096	S	*	2/2019	Dumville	.....	D27/188
D850,267	S	*	6/2019	Paredes	.....	D9/516
D851,494	S	*	6/2019	Linderman	.....	D9/630
D854,417	S	*	7/2019	Harris	.....	D9/516
D894,741	S	*	9/2020	Chupak	.....	D9/500
D906,817	S	*	1/2021	Abercrombie	.....	D9/500

(Continued)

FOREIGN PATENT DOCUMENTS

MY 12-505-0101-0001 \* 2/2013

OTHER PUBLICATIONS

Packaging of the World; Lin, Derrick; "FLY Vodka & FLY Gin (Switzerland)"; [online] 'https://www.packagingoftheworld.com/2020/04/fly-vodka-fly-gin-switzerland.html'; dated Apr. 28, 2020; accessed Mar. 26, 2021; 4pgs. (Year: 2020).\*

Primary Examiner — Keli L Hill

(57) **CLAIM**

The ornamental design for a bottle for beverages, as shown and described.

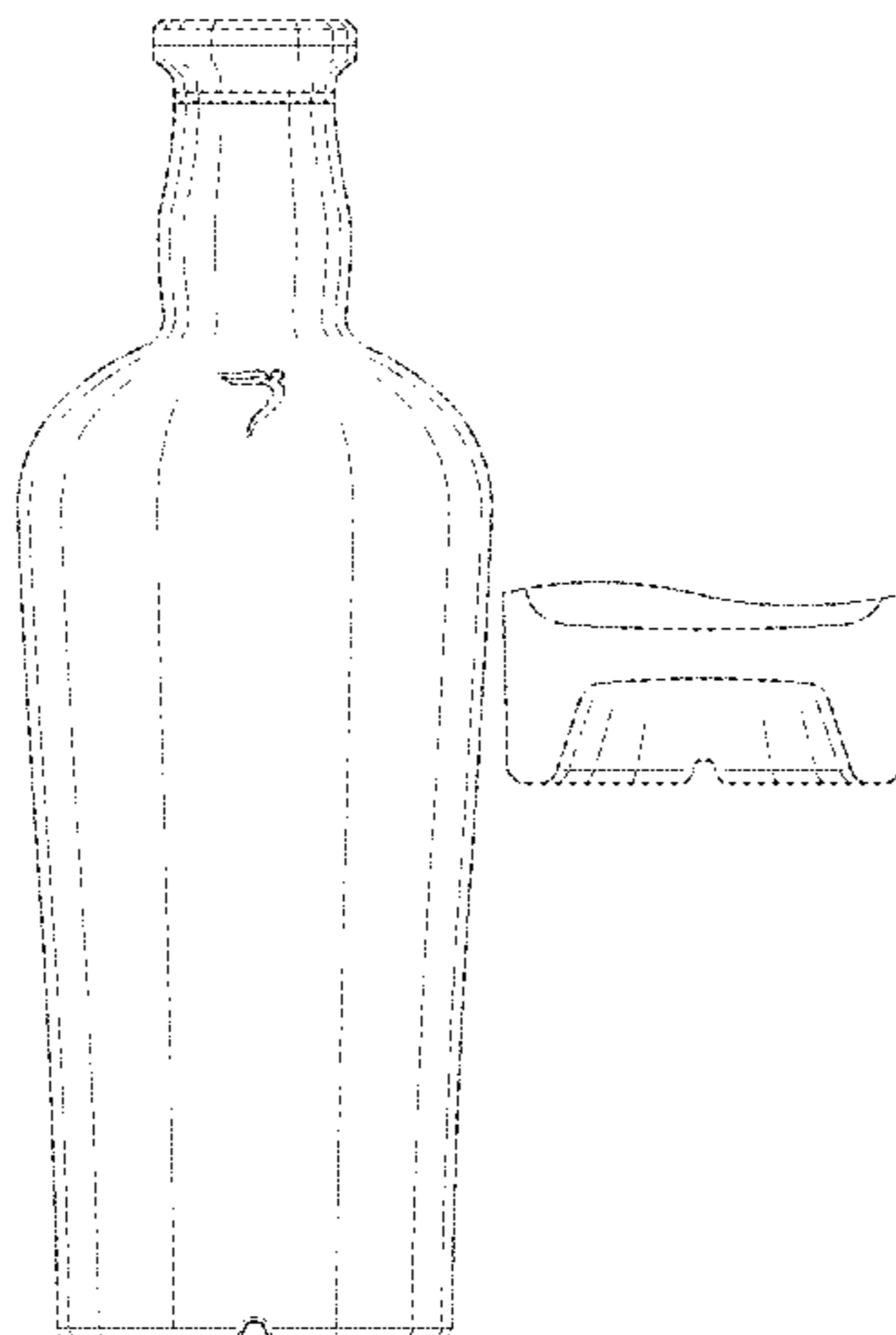
**DESCRIPTION**

1. Beverage bottle

1.1 : Top

1.2 : Front

(Continued)



1.3 : Bottom

1.4: Cross-sectional view of the bottom portion only, taken  
in the direction of line 1.4-1.4

Bottle for beverages with an image of Ikar at the top front.

**1 Claim, 4 Drawing Sheets**

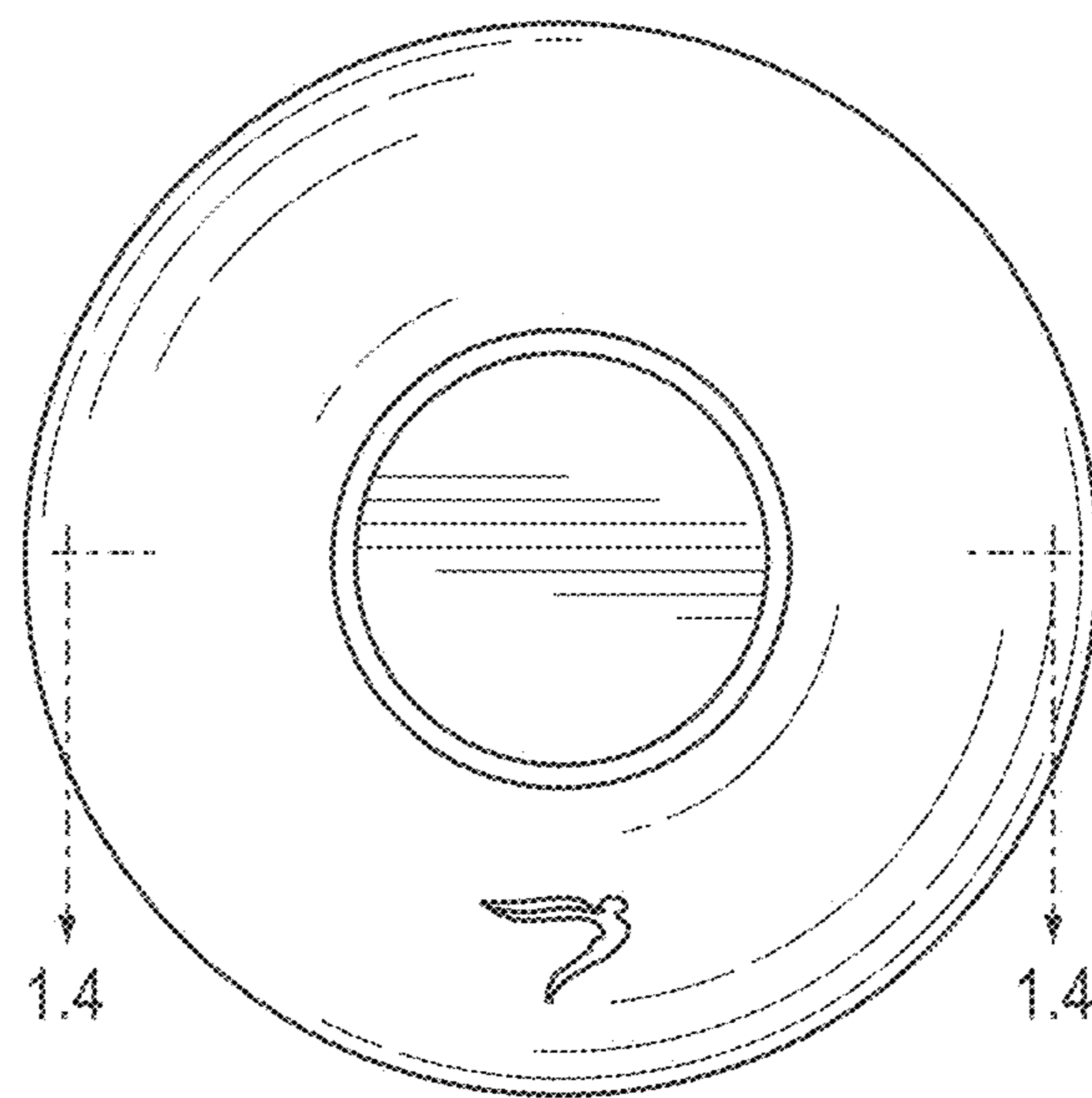
(56)

**References Cited**

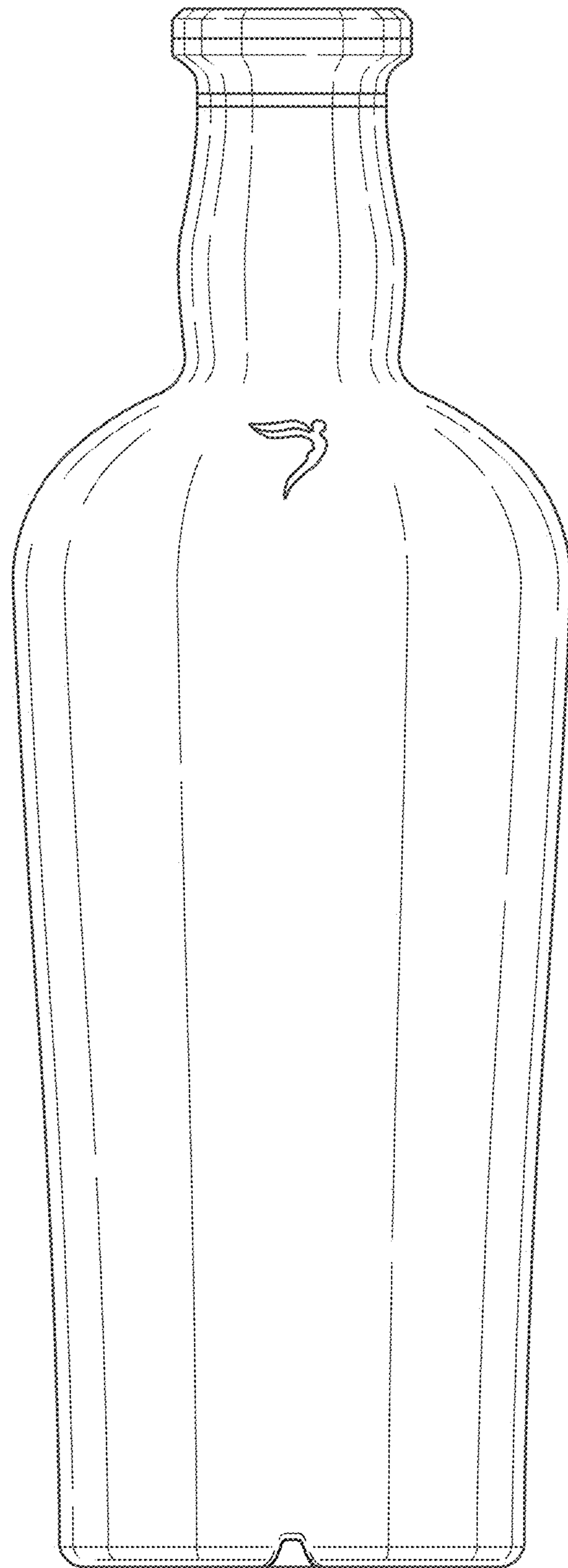
U.S. PATENT DOCUMENTS

D911,176 S \* 2/2021 Feletto ..... B65D 1/02  
D9/500  
2017/0275044 A1\* 9/2017 Arregui Letamendi . B65D 1/02

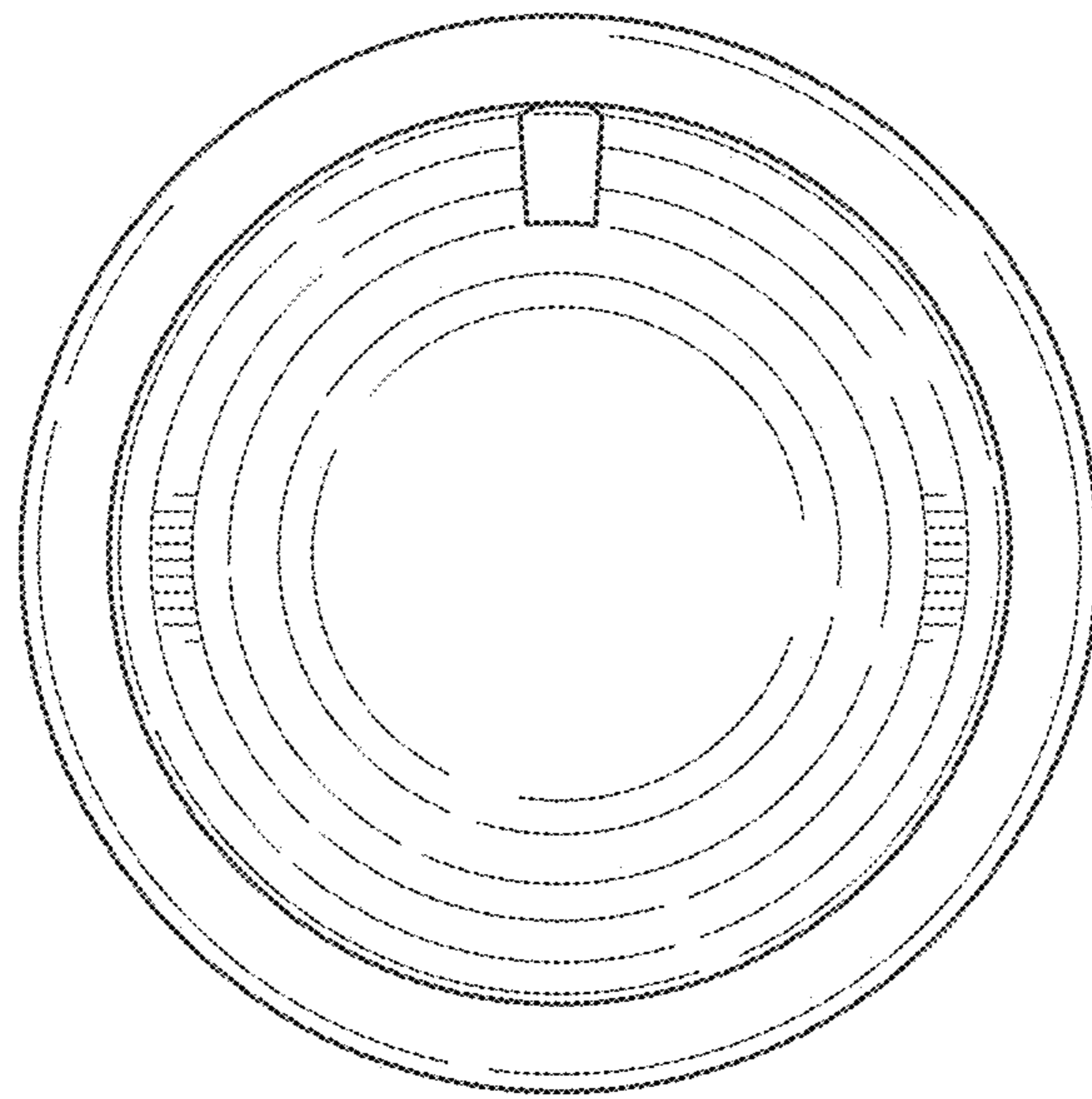
\* cited by examiner



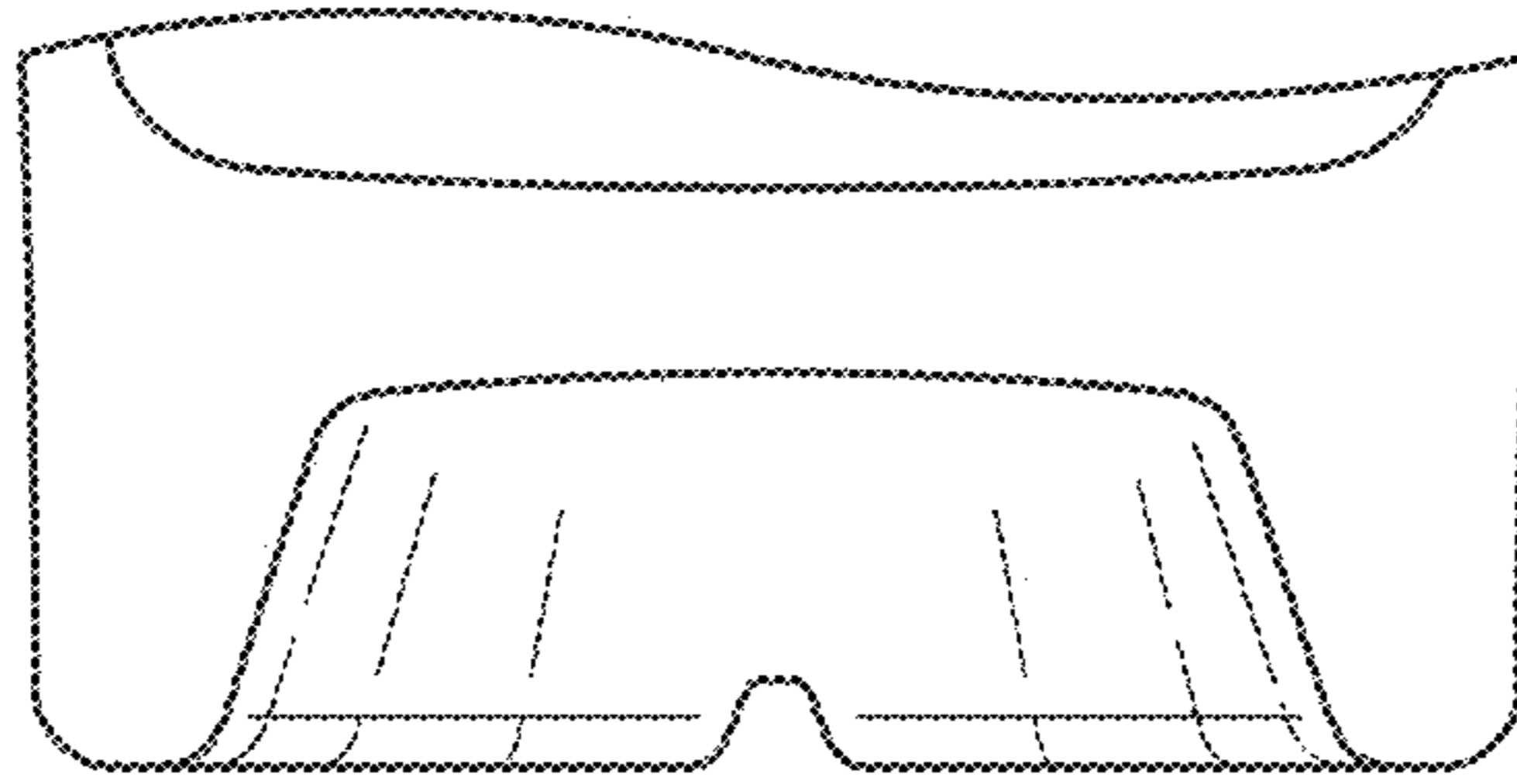
1.1



1.2



1.3



1.4