



US00D940560S

(12) **United States Design Patent**
Defois et al.

(10) **Patent No.:** **US D940,560 S**

(45) **Date of Patent:** **** Jan. 11, 2022**

(54) **LID FOR CONTAINER**

(57) **CLAIM**

(71) Applicant: **Mead Johnson Nutrition Company,**
Chicago, IL (US)

The ornamental design for a lid for container, as shown and described.

(72) Inventors: **Sophie Claude Marie Defois,**
Singapore (SG); **Grace Naguit Mercado,**
Singapore (SG); **Christianus Petrus Johannes Van Lankveld,**
Huissen (NL)

DESCRIPTION

(73) Assignee: **MEAD JOHNSON NUTRITION COMPANY,**
Evansville, IN (US)

FIG. 1 is a top perspective view of the lid for container from the top and left side in the open position;
FIG. 2 is a top view of the lid for container in the open position;
FIG. 3 is a left side view of the lid for container in the open position;
FIG. 4 is a bottom view of the lid for container in the open position;
FIG. 5 is a right side view of the lid for container in the open position;
FIG. 6 is a rear view of the lid for container in the open position;
FIG. 7 is a front view of the lid for container in the open position;
FIG. 8 is a bottom perspective view from the bottom and left side of the lid for container in the open position.

(**) Term: **15 Years**

(21) Appl. No.: **29/661,084**

(22) Filed: **Aug. 24, 2018**

(30) **Foreign Application Priority Data**

Feb. 23, 2018 (EM) 004724003-0001
Feb. 23, 2018 (EM) 004724003-0002

(51) **LOC (13) Cl.** **09-07**

(52) **U.S. Cl.**
USPC **D9/449**

(58) **Field of Classification Search**
USPC D9/414, 434-436, 438-440, 443-457,
D9/499, 503-505, 682, 685, 686;
(Continued)

FIG. 9 is a top perspective view of the lid for container from the top and left side in the closed position;
FIG. 10 is a front view of the lid for container in the closed position;
FIG. 11 is a left side view of the lid for container in the closed position;
FIG. 12 is a rear view of the lid for container in the closed position;
FIG. 13 is a right side view of the lid for container in the closed position;
FIG. 14 is a top view of the lid for container in the closed position;
FIG. 15 is a bottom view of the lid for container in the closed position; and,
FIG. 16 is a bottom perspective view from the bottom and left side of the lid for container in the closed position.
The broken lines illustrate portions of the lid for container that form no part of the claimed design.

(56) **References Cited**

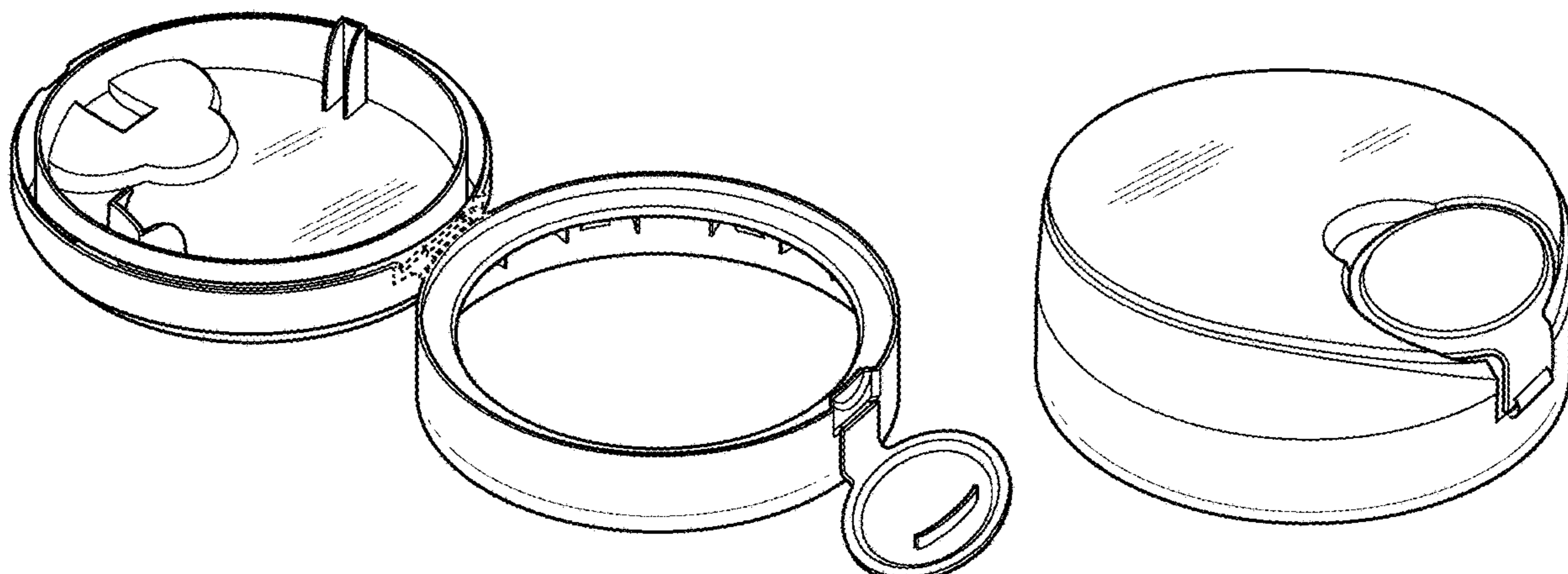
U.S. PATENT DOCUMENTS

D369,942 S * 5/1996 Ahern, Jr. D9/447
D385,493 S * 10/1997 Zhang D9/449
(Continued)

Primary Examiner — Wendy L Arminio

(74) *Attorney, Agent, or Firm* — Troutman Pepper
Hamilton Sanders LLP; Ryan Schneider; Chris N. Davis

1 Claim, 16 Drawing Sheets



US D940,560 S

(58) **Field of Classification Search**

USPC D7/387, 391, 392, 392.1, 396.2–396.4,
D7/401.1, 507, 509–511, 538, 900;
D3/202, 203.2, 318; D28/91.1
CPC .. A61J 1/00; A61J 1/1412; B65D 1/00; B65D
1/02; B65D 1/10; B65D 1/46; B65D
5/46; B65D 41/00; B65D 41/38; B65D
41/56; B65D 41/62; B65D 47/00; B65D
47/06; B65D 47/08; B65D 2251/00;
B65D 2543/00046; B65D 2543/00092;
B65D 2543/00296; B65D 2585/56; B65D
2585/545

See application file for complete search history.

(56) **References Cited**

U.S. PATENT DOCUMENTS

D436,862 S * 1/2001 Witt D9/453
D471,456 S * 3/2003 Young D9/447

6,554,156 B1 * 4/2003 Chong A47K 10/3818
221/303
D513,474 S * 1/2006 Choi D9/449
7,175,042 B2 * 2/2007 Durdon B65D 47/0842
220/254.3
D538,652 S * 3/2007 De Groot D9/449
D558,401 S * 12/2007 Hadtke D9/449
D712,258 S * 9/2014 Grattagliano D9/449
D763,079 S * 8/2016 Sturk D9/447
D773,302 S * 12/2016 Henriksson D9/451
D819,456 S * 6/2018 Gomez Martin D9/734
D828,159 S * 9/2018 Bouie D9/447
D843,210 S * 3/2019 Friedman D9/436
10,421,589 B1 * 9/2019 Quinn B65D 1/12
10,435,210 B1 * 10/2019 Quinn B65D 43/163
2016/0000270 A1 * 1/2016 Wiggins B65D 43/22
206/508
2016/0029847 A1 * 2/2016 Friedman A47J 43/27
366/130

* cited by examiner

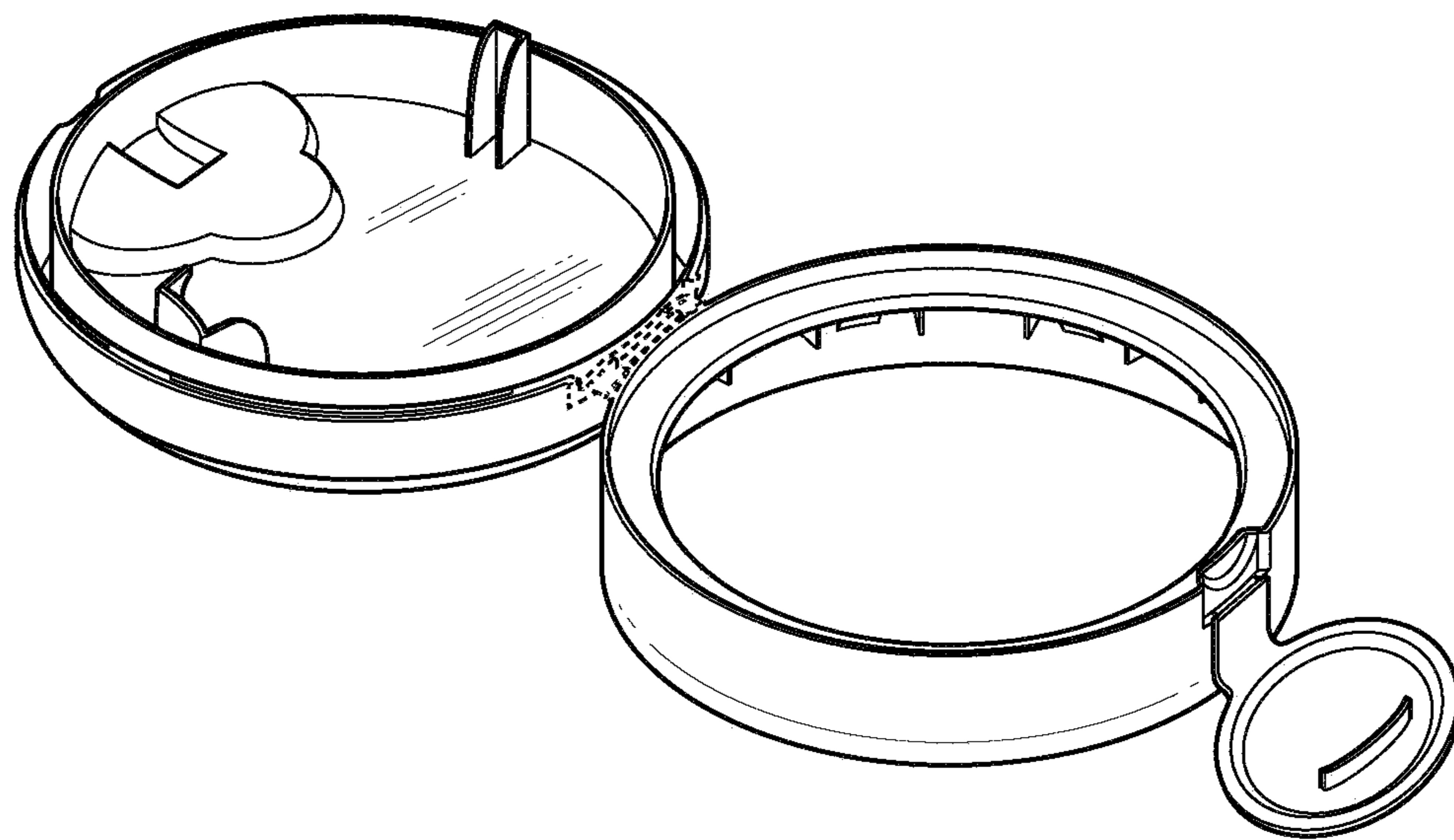


Fig. 1

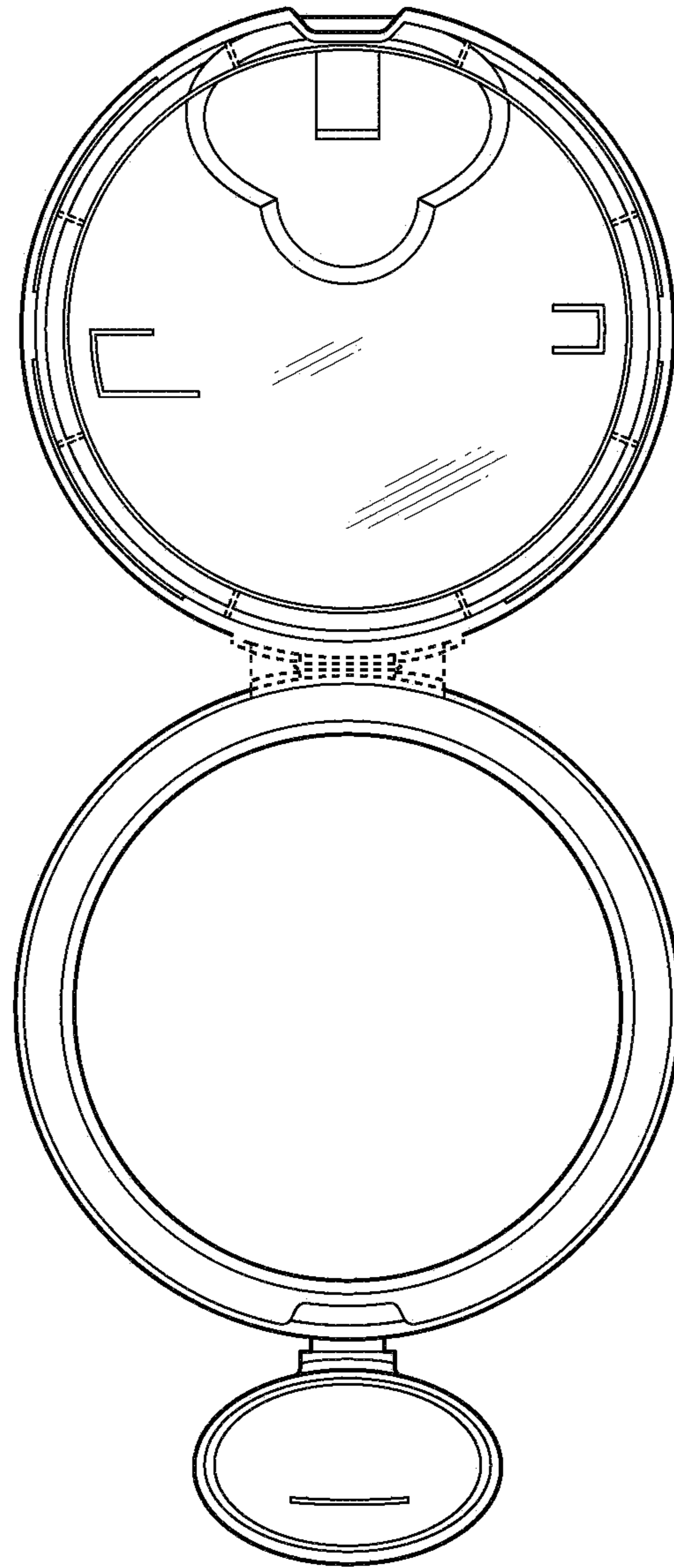


Fig. 2

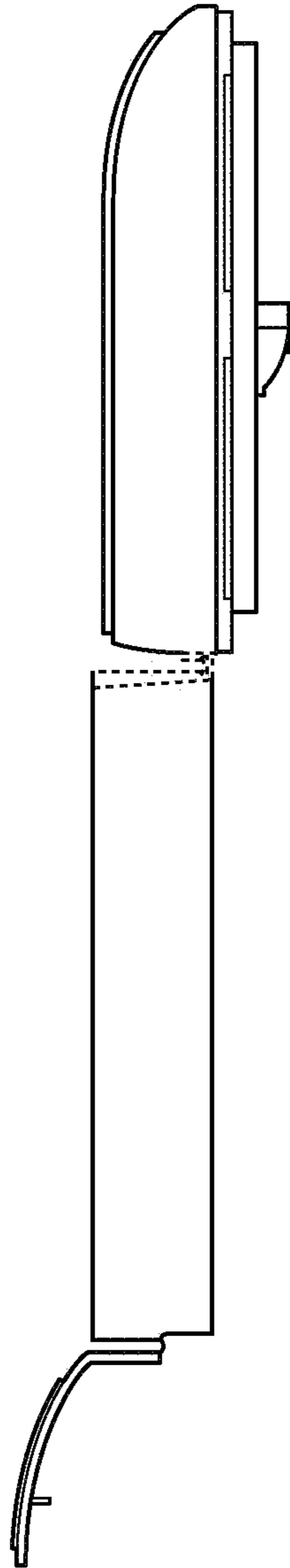


Fig. 3

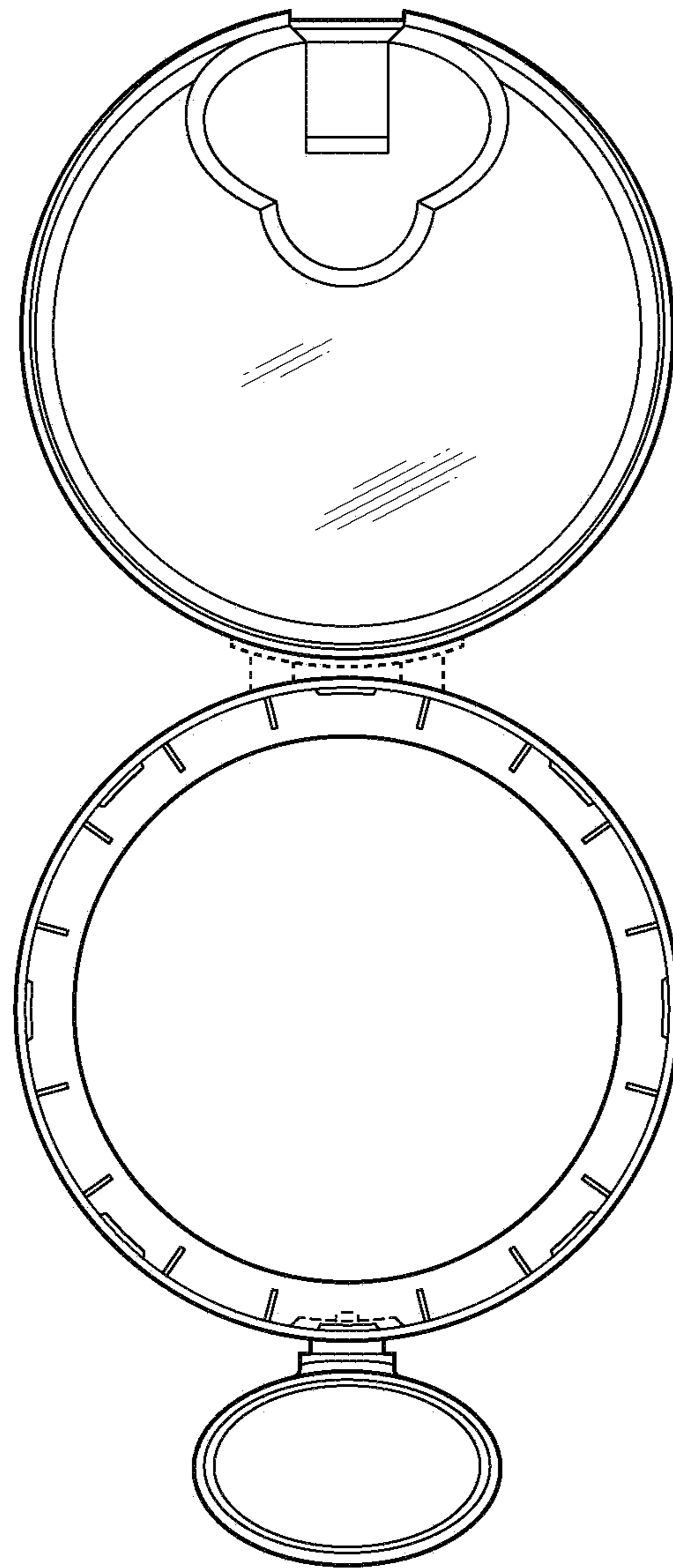


Fig. 4

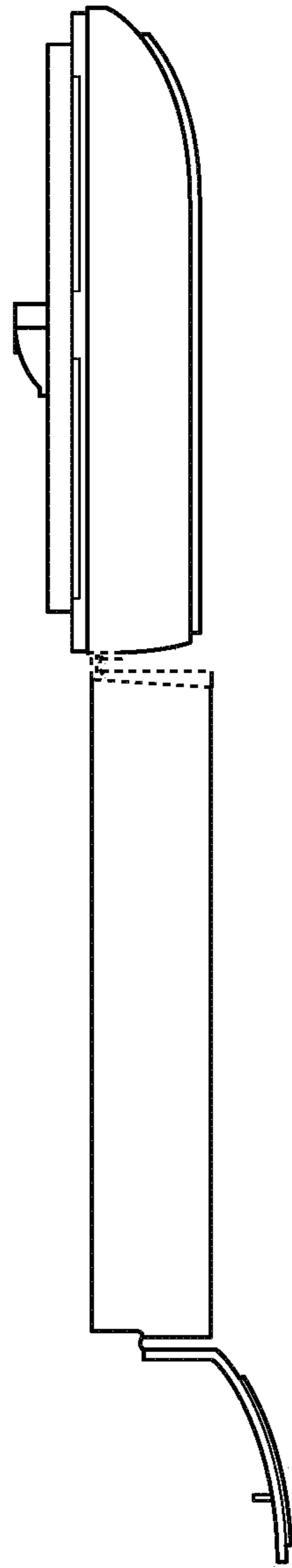


Fig. 5

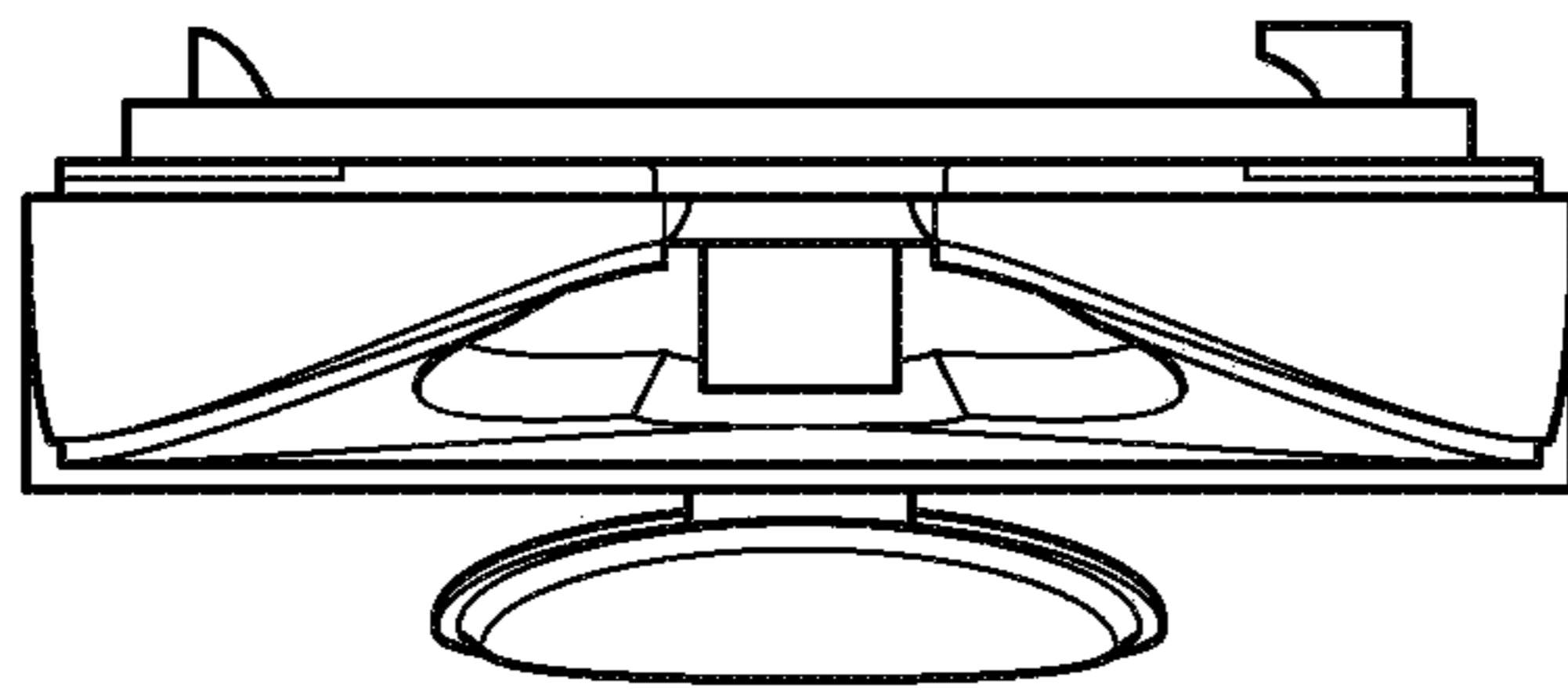


Fig. 6

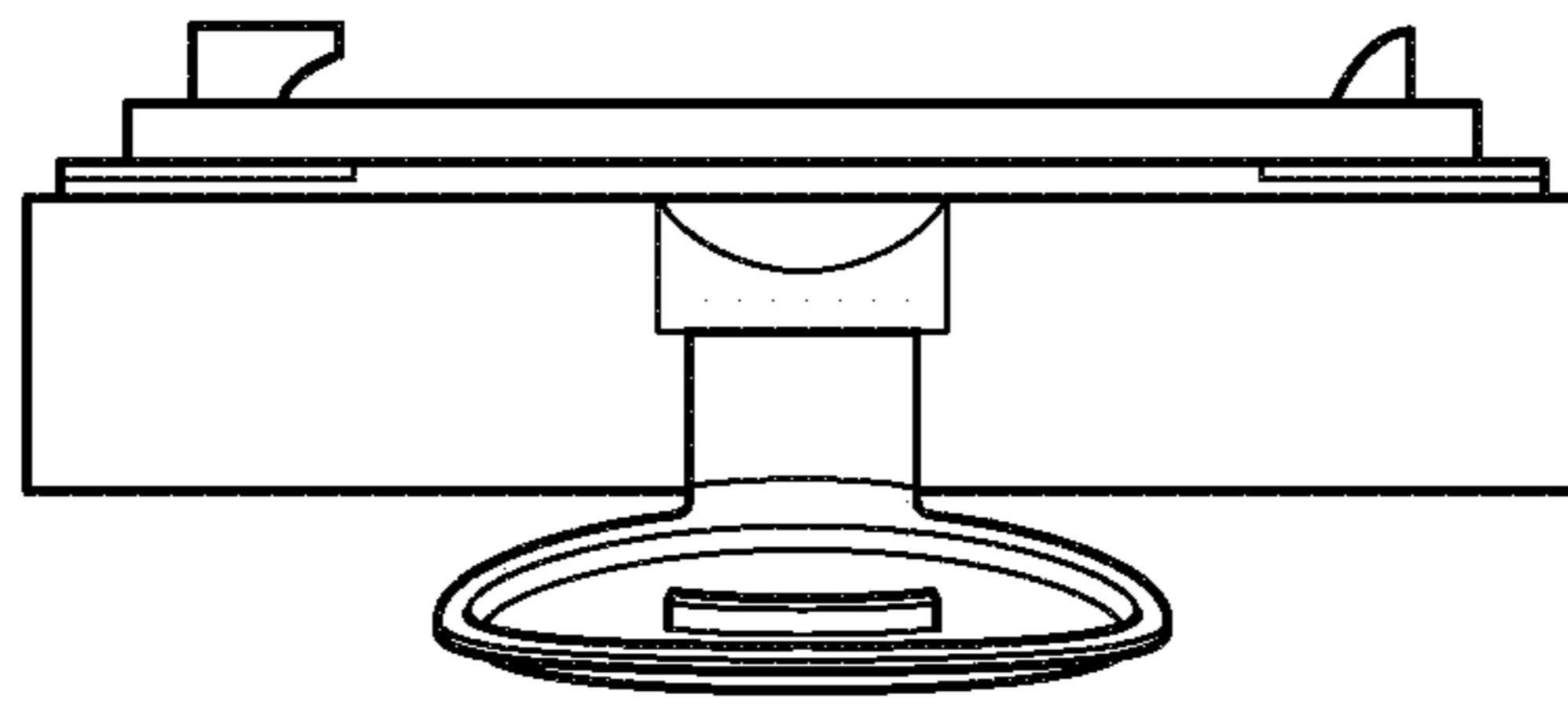


Fig. 7

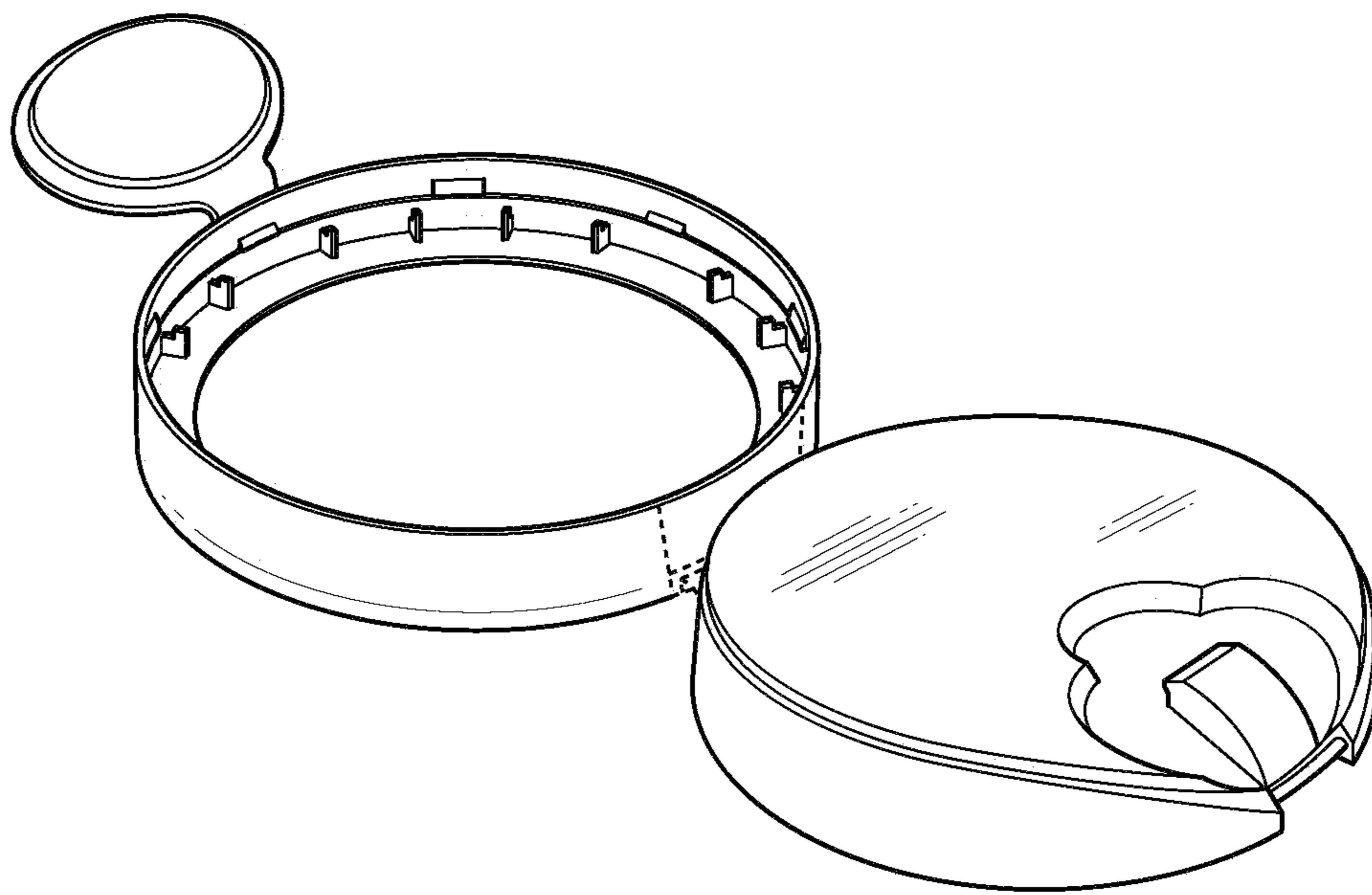


Fig. 8

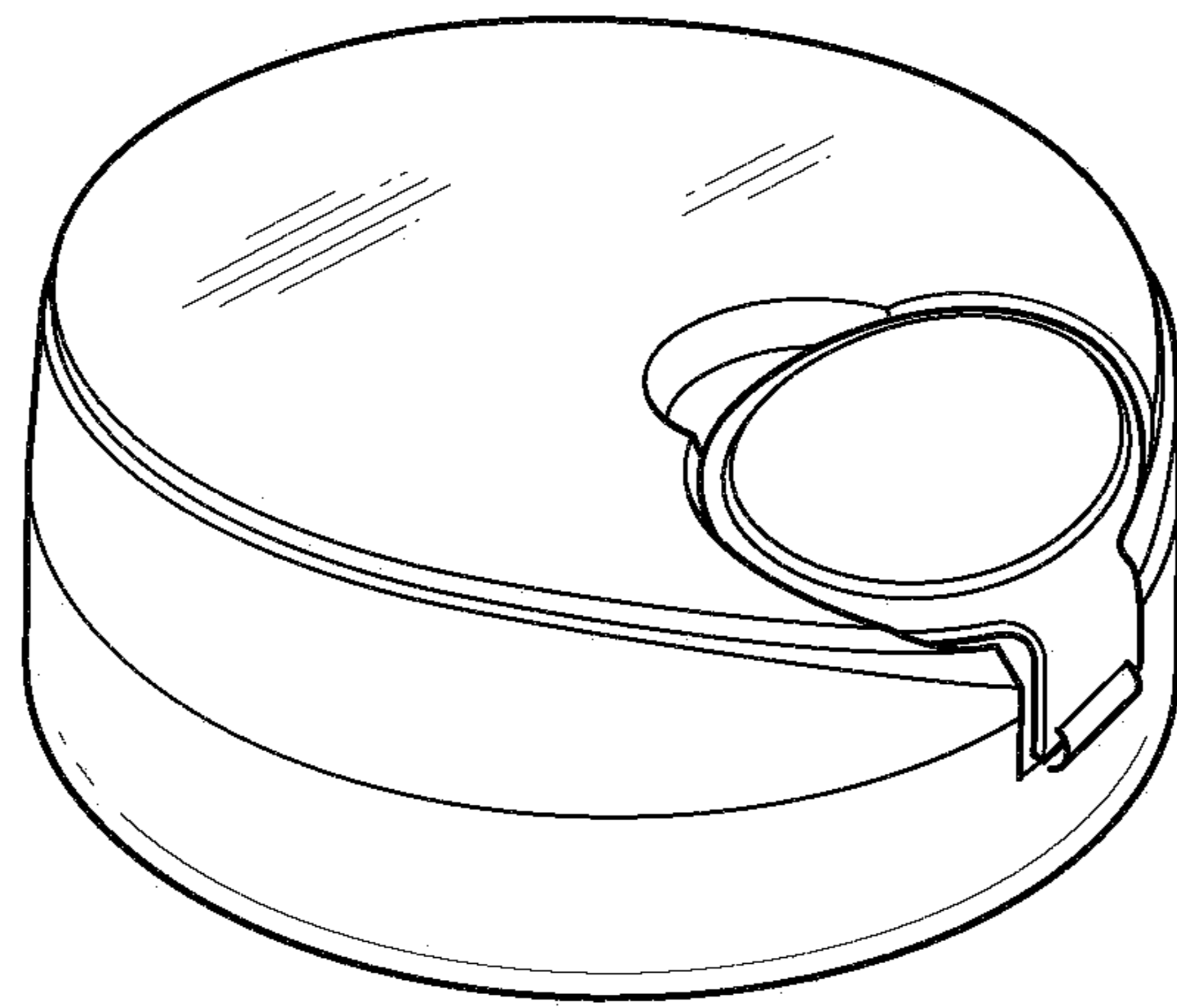


Fig. 9

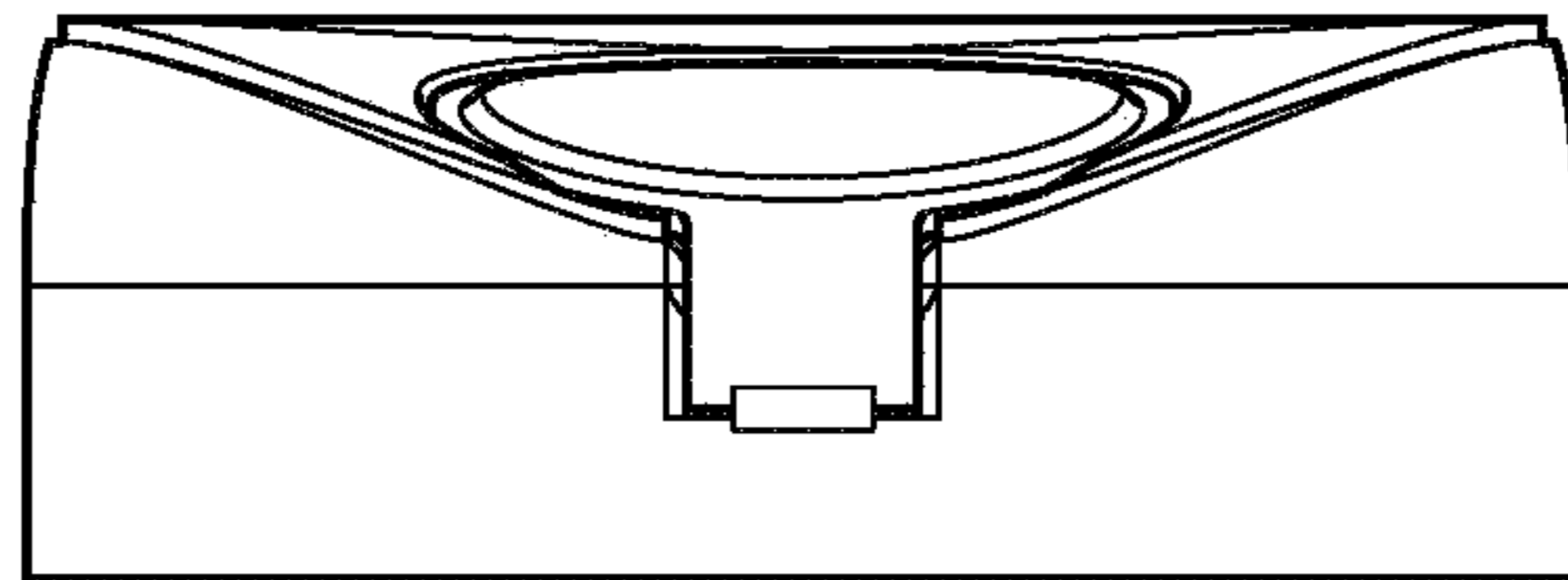


Fig. 10

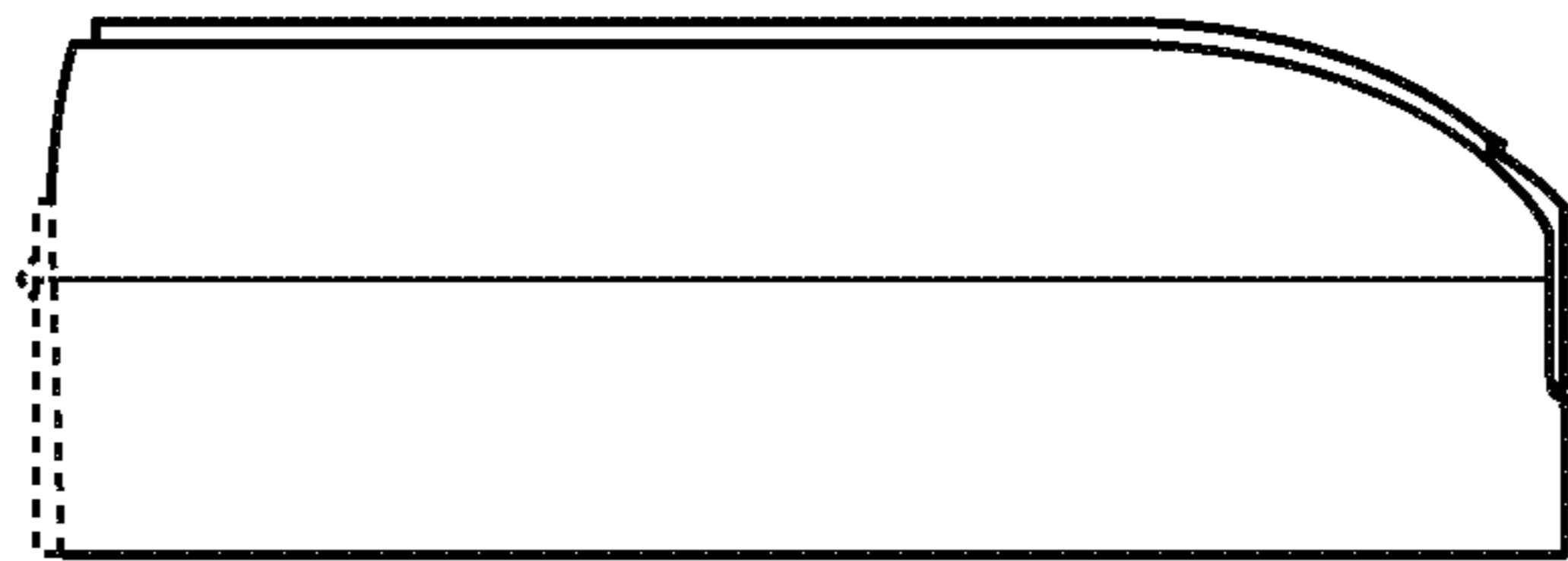


Fig. 11

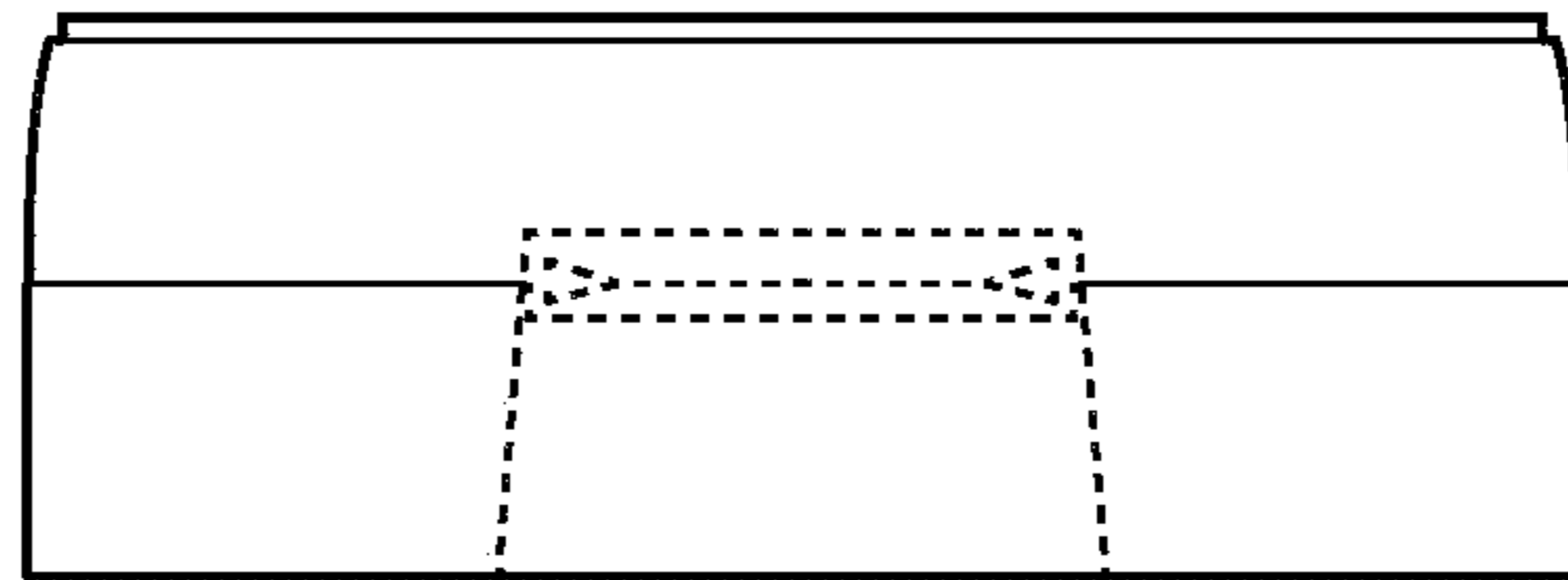


Fig. 12

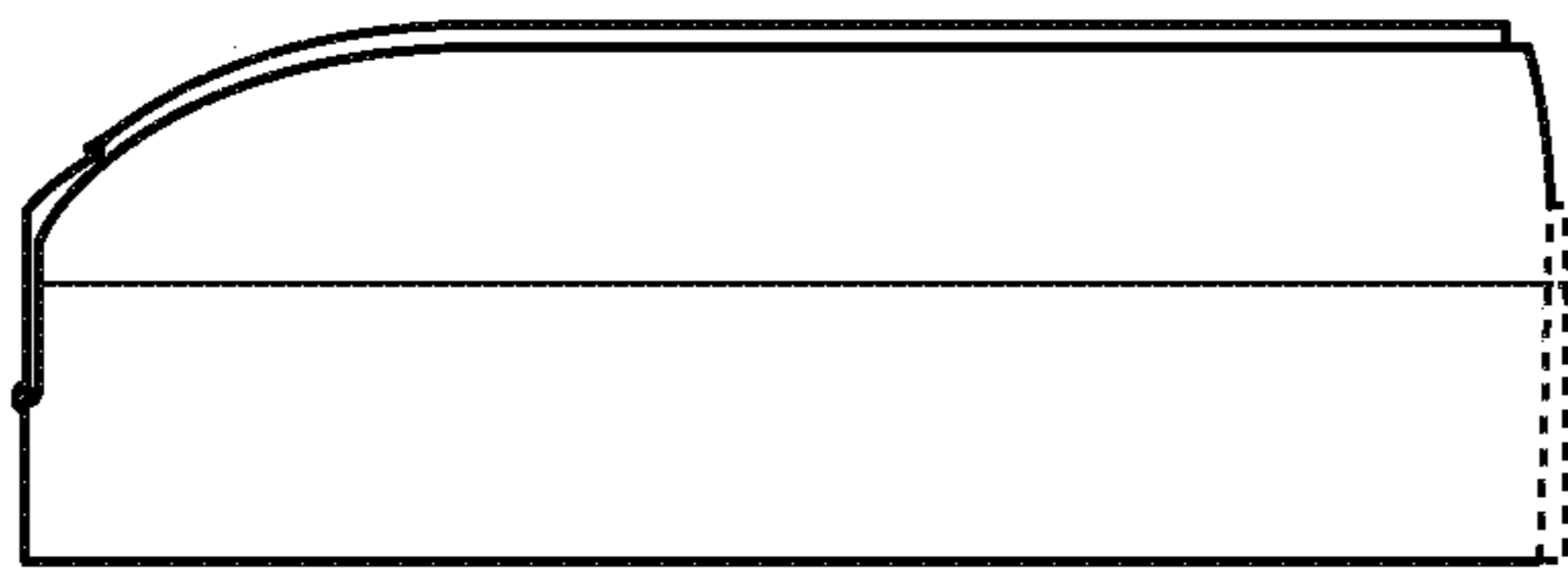


Fig. 13

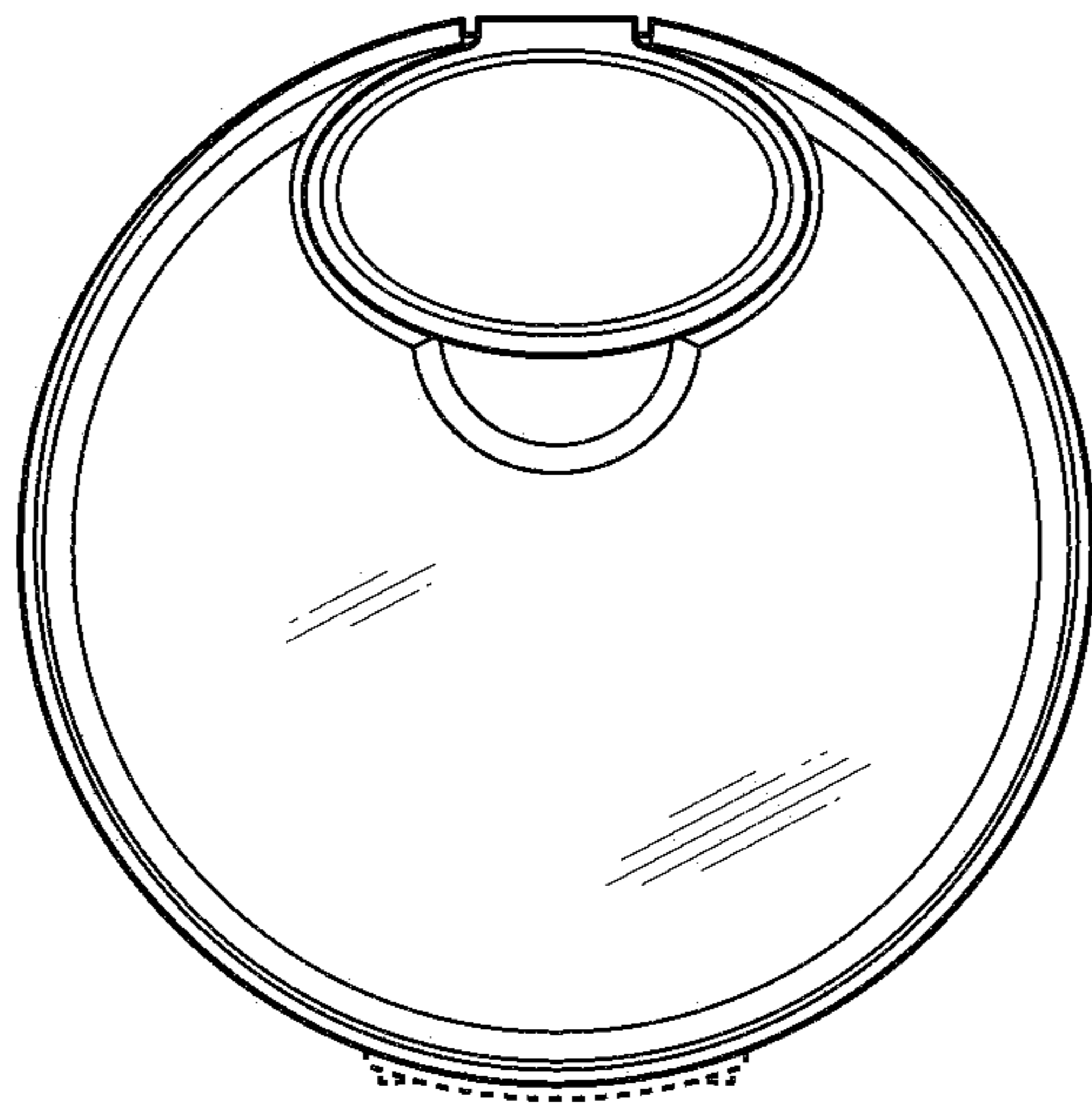


Fig. 14

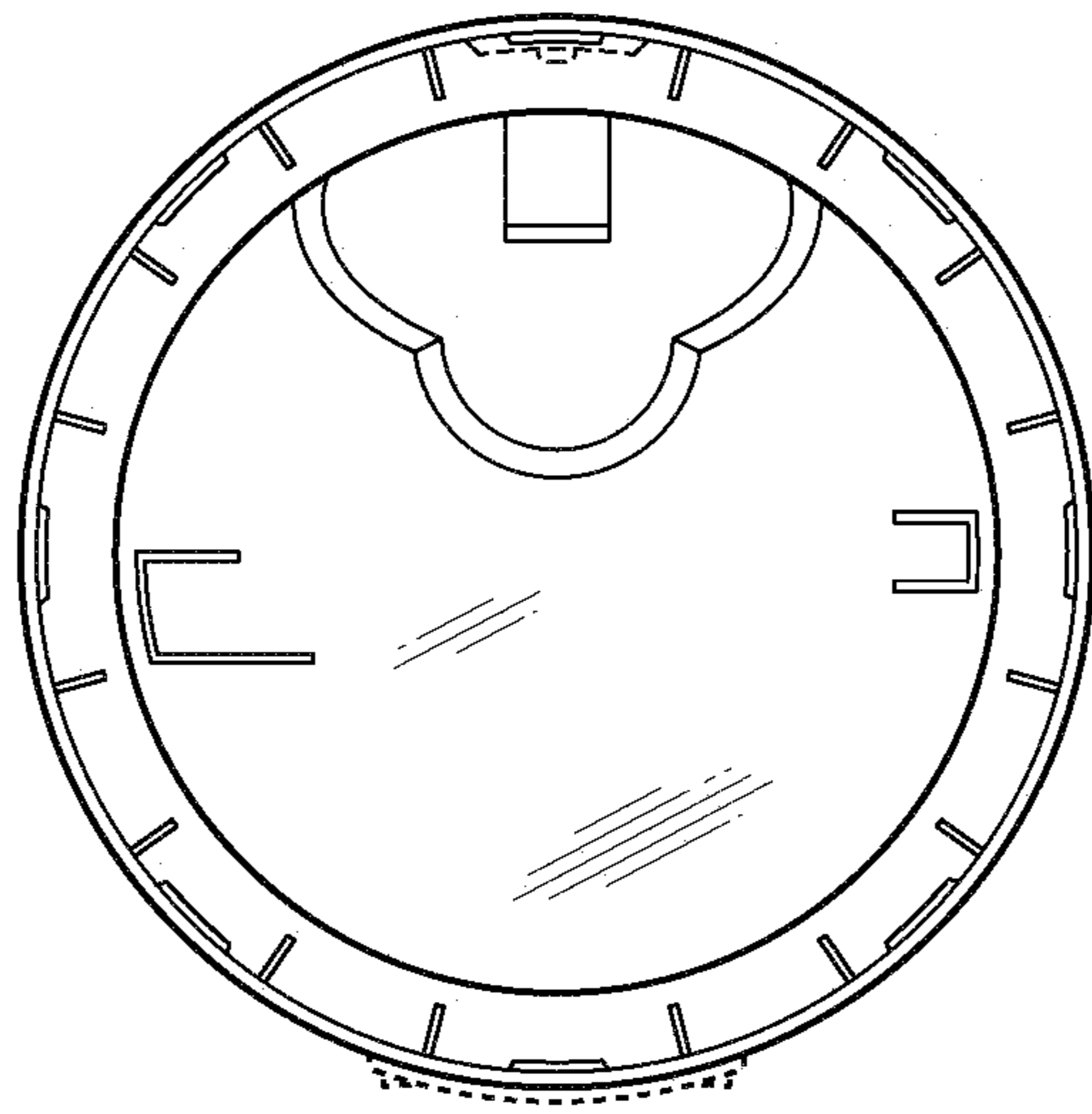


Fig. 15

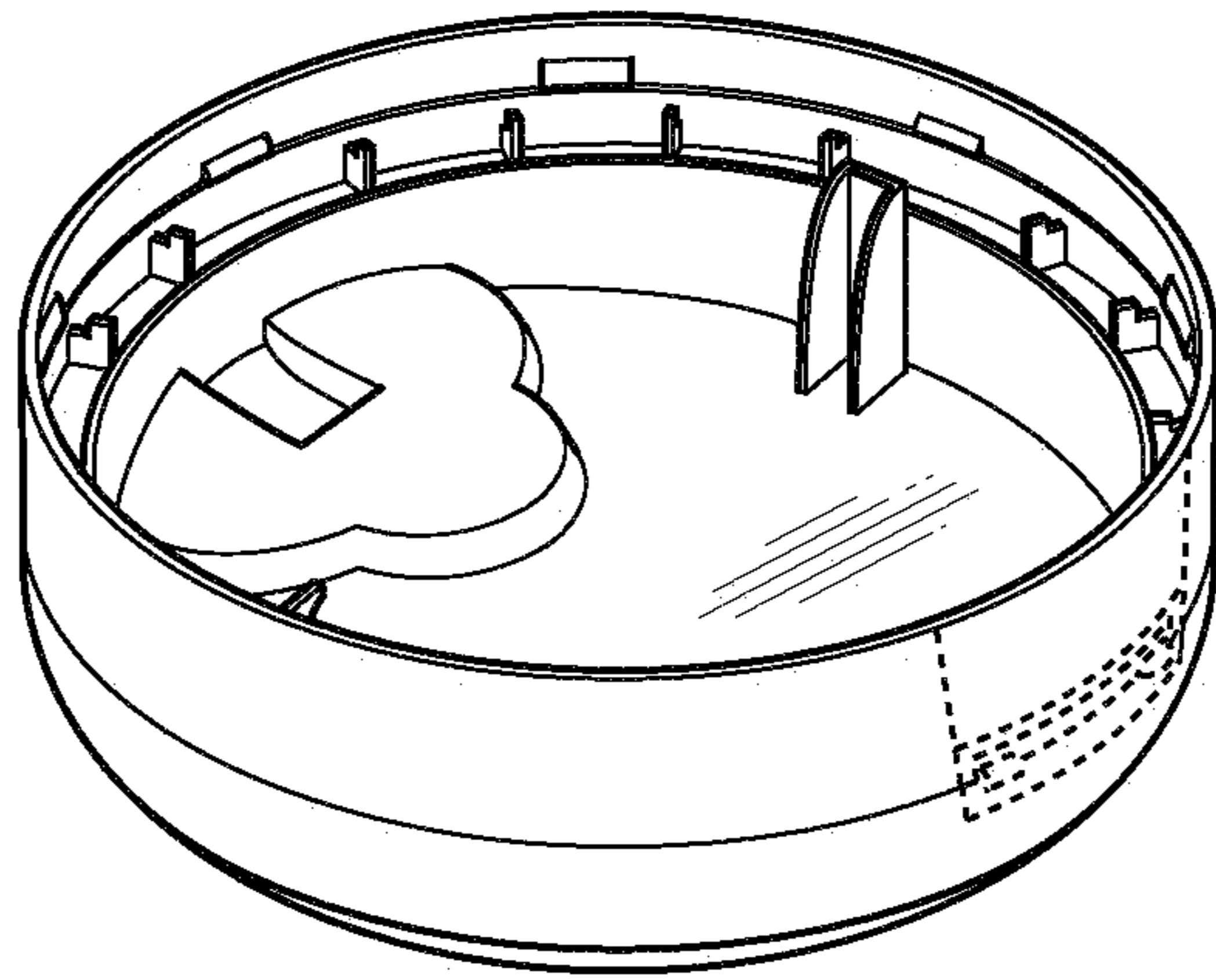


Fig. 16