



US00D940557S

(12) **United States Design Patent**
Viel

(10) **Patent No.:** **US D940,557 S**

(45) **Date of Patent:** **** Jan. 11, 2022**

(54) **SPOUT FOR A PACKAGING**

(71) Applicant: **VIEL PLASTIQUES INTERNATIONAL**, Oyonnax (FR)

(72) Inventor: **Daniel Viel**, Arbent (FR)

(73) Assignee: **VIEL PLASTIQUES INTERNATIONAL**, Oyonnax (FR)

(**) Term: **15 Years**

(21) Appl. No.: **29/691,181**

(22) Filed: **May 14, 2019**

(30) **Foreign Application Priority Data**

Nov. 14, 2018 (AU) 201816759

(51) **LOC (13) Cl.** **09-07**

(52) **U.S. Cl.**
USPC **D9/447; D9/449**

(58) **Field of Classification Search**
USPC D7/392.1, 396.2; D9/434, 435, 440, 447,
D9/449, 499, 442, 682, 683
CPC B65D 47/14; B65D 47/286; B65D 55/16;
B65D 53/02
See application file for complete search history.

(56) **References Cited**

U.S. PATENT DOCUMENTS

- 2,202,466 A * 5/1940 Peterson B65D 47/286
222/559
- D770,222 S * 11/2016 Boroski D7/392.1
- D894,673 S * 9/2020 Juarbe D7/396.2
- D909,869 S * 2/2021 Batzel D9/449
- D912,513 S * 3/2021 Moon D9/449
- 2018/0370695 A1 * 12/2018 Chapman B65D 47/286
- 2020/0267862 A1 * 8/2020 Taguchi B65D 53/02

OTHER PUBLICATIONS

The Make Your Own Zone. Pour Spout Canning Jar Top (From An Old Salt Container!). Sep. 15, 2013. <https://www.themakeyourownzone.com/pour-spout-canning-jar-top-old-salt-container/> (Year: 2013).*

* cited by examiner

Primary Examiner — Darcey E Gottschalk
(74) *Attorney, Agent, or Firm* — Burriss Law, PLLC

(57) **CLAIM**

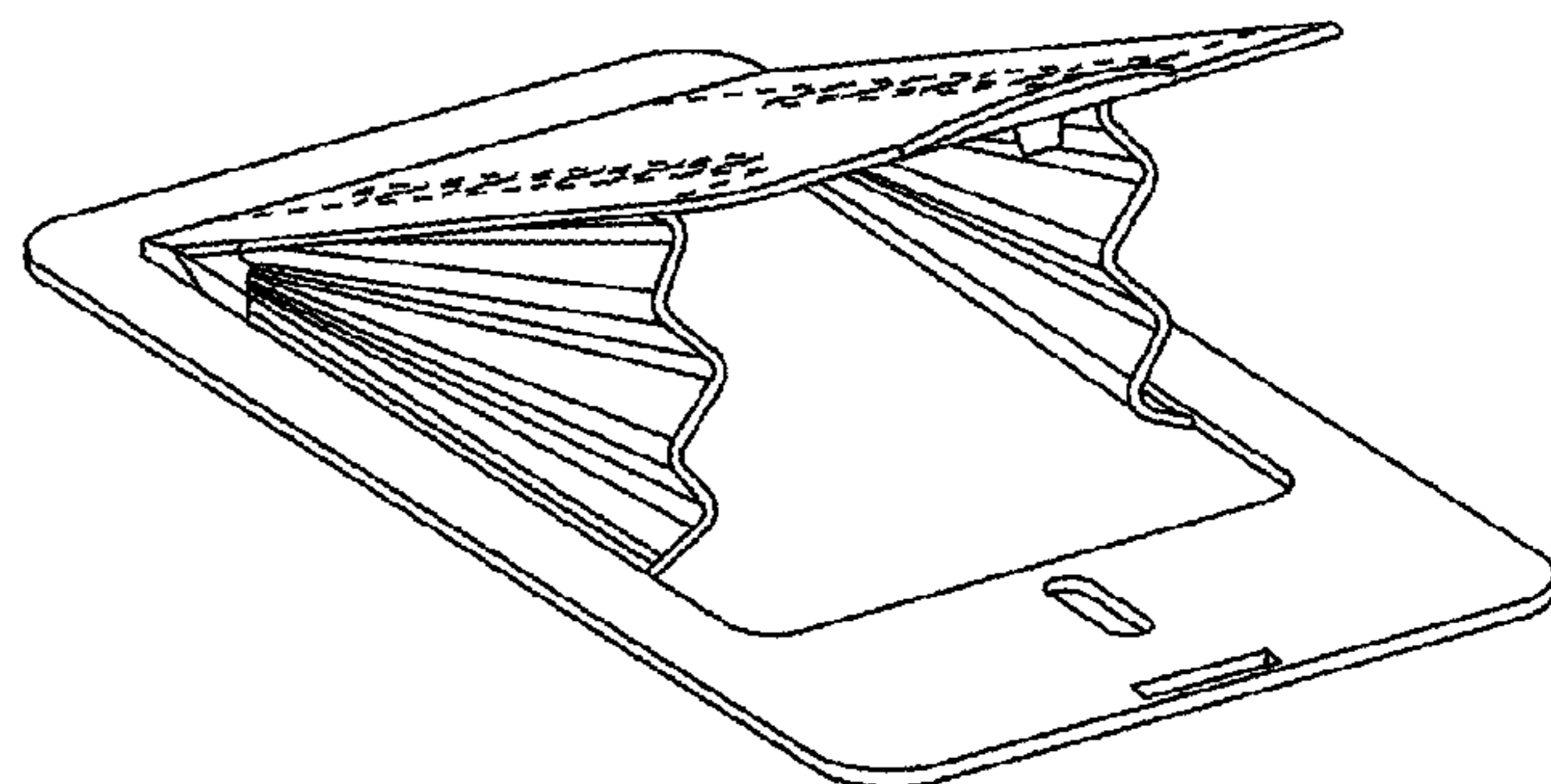
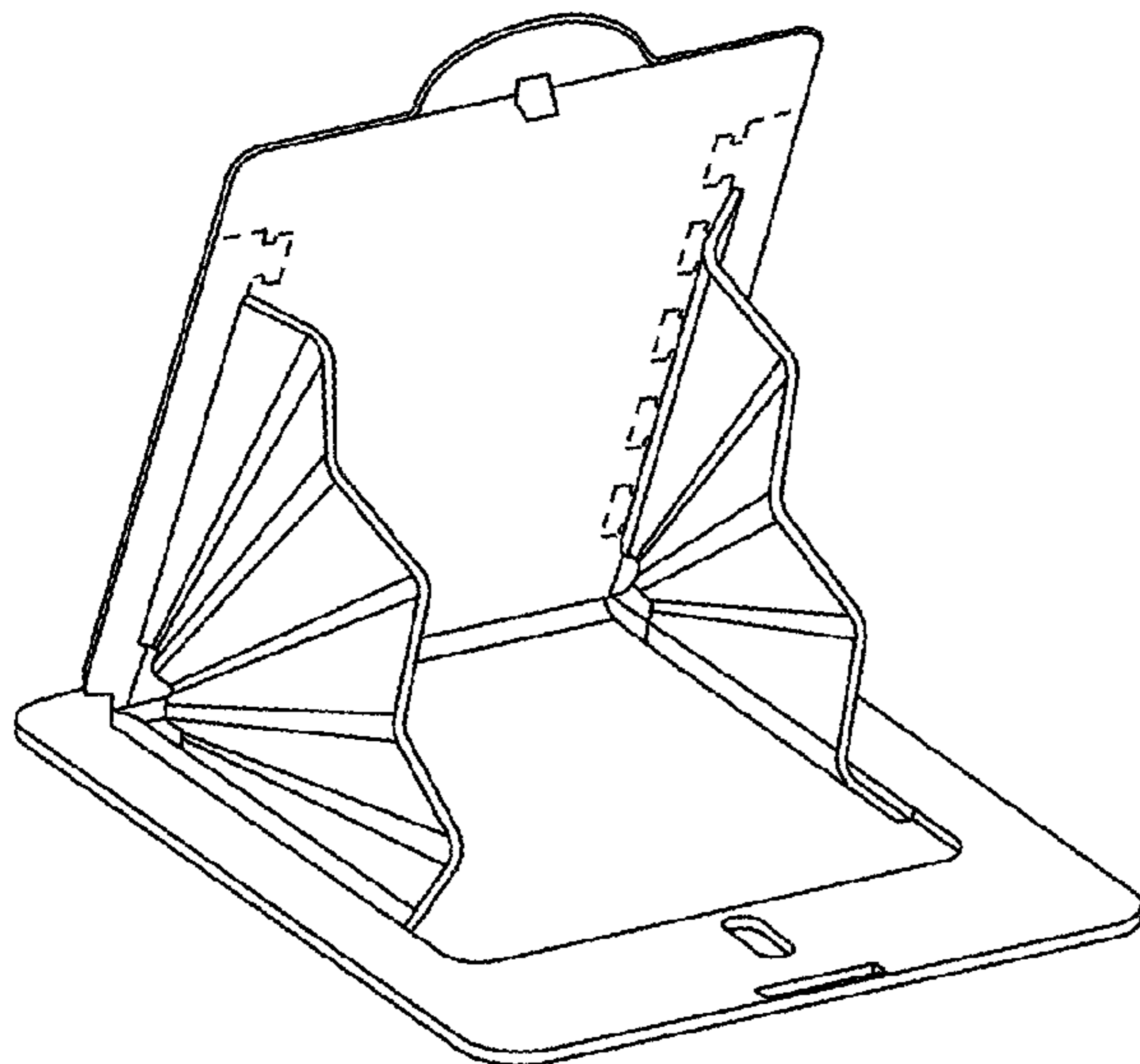
The ornamental design for a spout for a packaging, as shown and described.

DESCRIPTION

FIG. 1 is a left front perspective view of the spout for a packaging, in a fully extended position;
 FIG. 2 is a left front perspective view thereof, in a partially extended position;
 FIG. 3 is a right bottom perspective view thereof, in a fully retracted position;
 FIG. 4 is a front view thereof, in the fully extended position;
 FIG. 5 is a front view thereof, in the partially extended position;
 FIG. 6 is a front view thereof, in the fully retracted position;
 FIG. 7 is a top view thereof, in the fully extended position;
 FIG. 8 is a top view thereof, in the partially extended position;
 FIG. 9 is a top view thereof, in the fully retracted position;
 FIG. 10 is a left side view thereof, in the fully extended position;
 FIG. 11 is a left side view thereof, in the partially extended position; and,
 FIG. 12 is a left side view thereof, in the fully retracted position.

In the drawings, the broken lines show portions of a spout for a packaging that form no part of the claimed design.

1 Claim, 6 Drawing Sheets



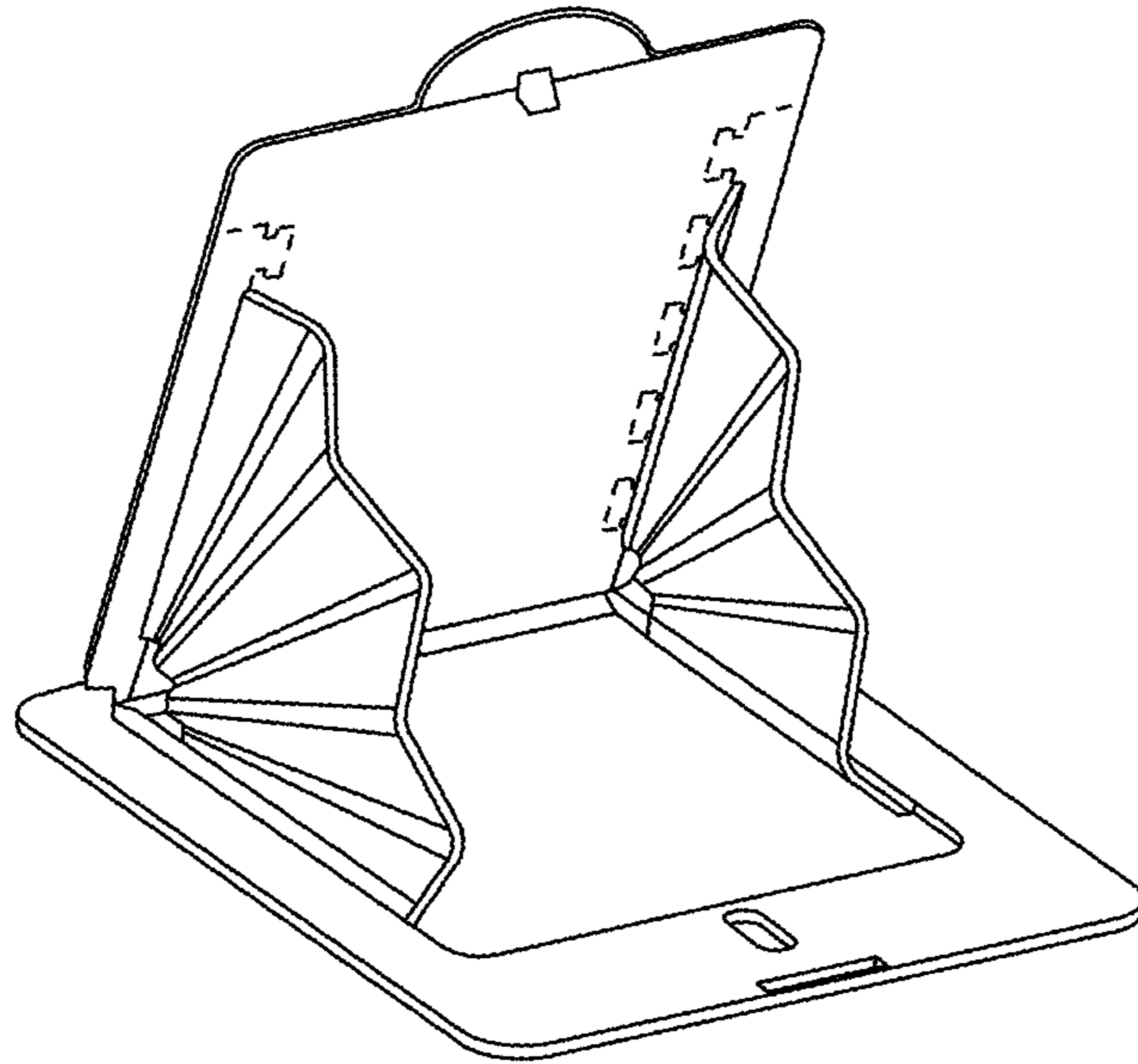


FIG. 1

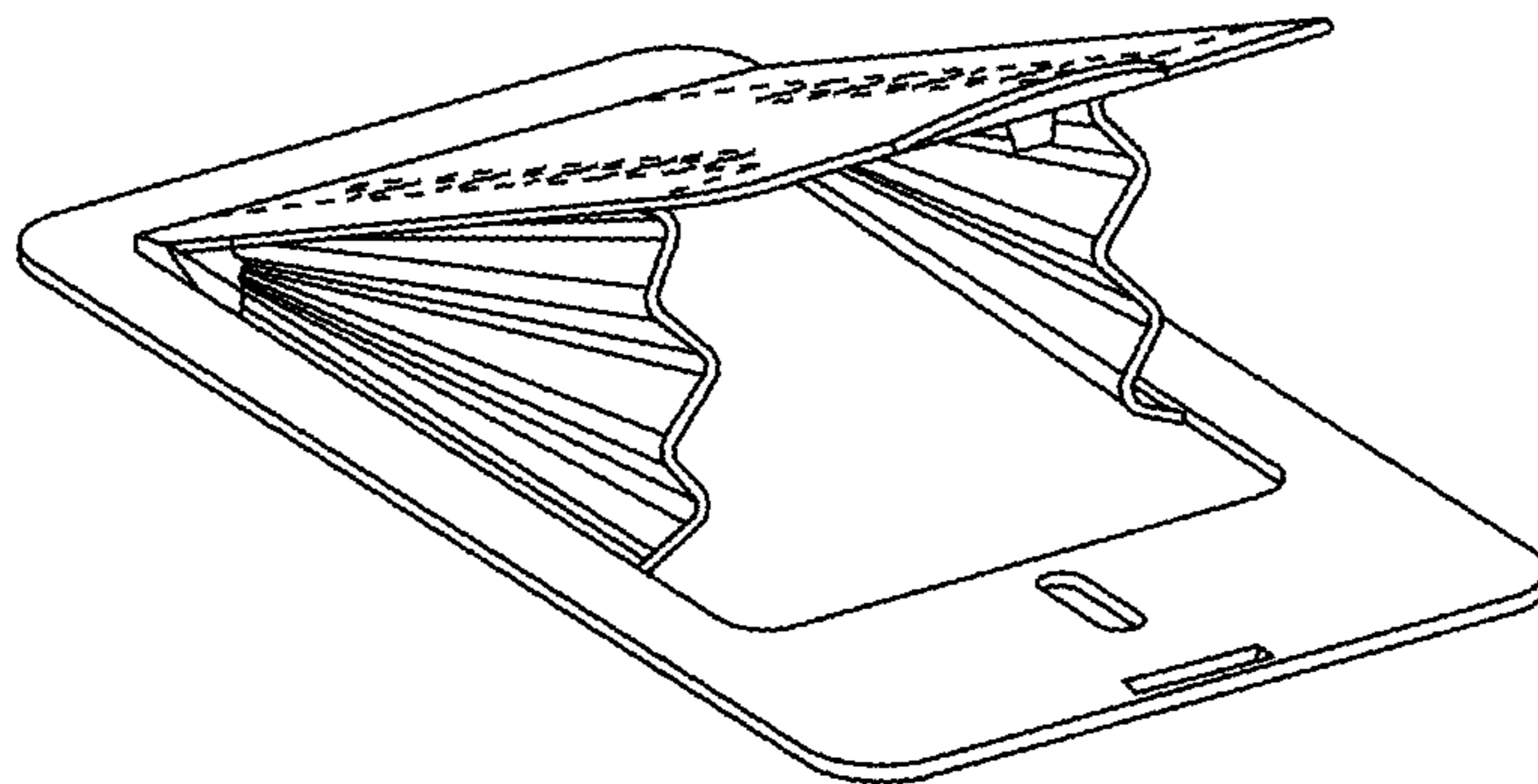


FIG. 2

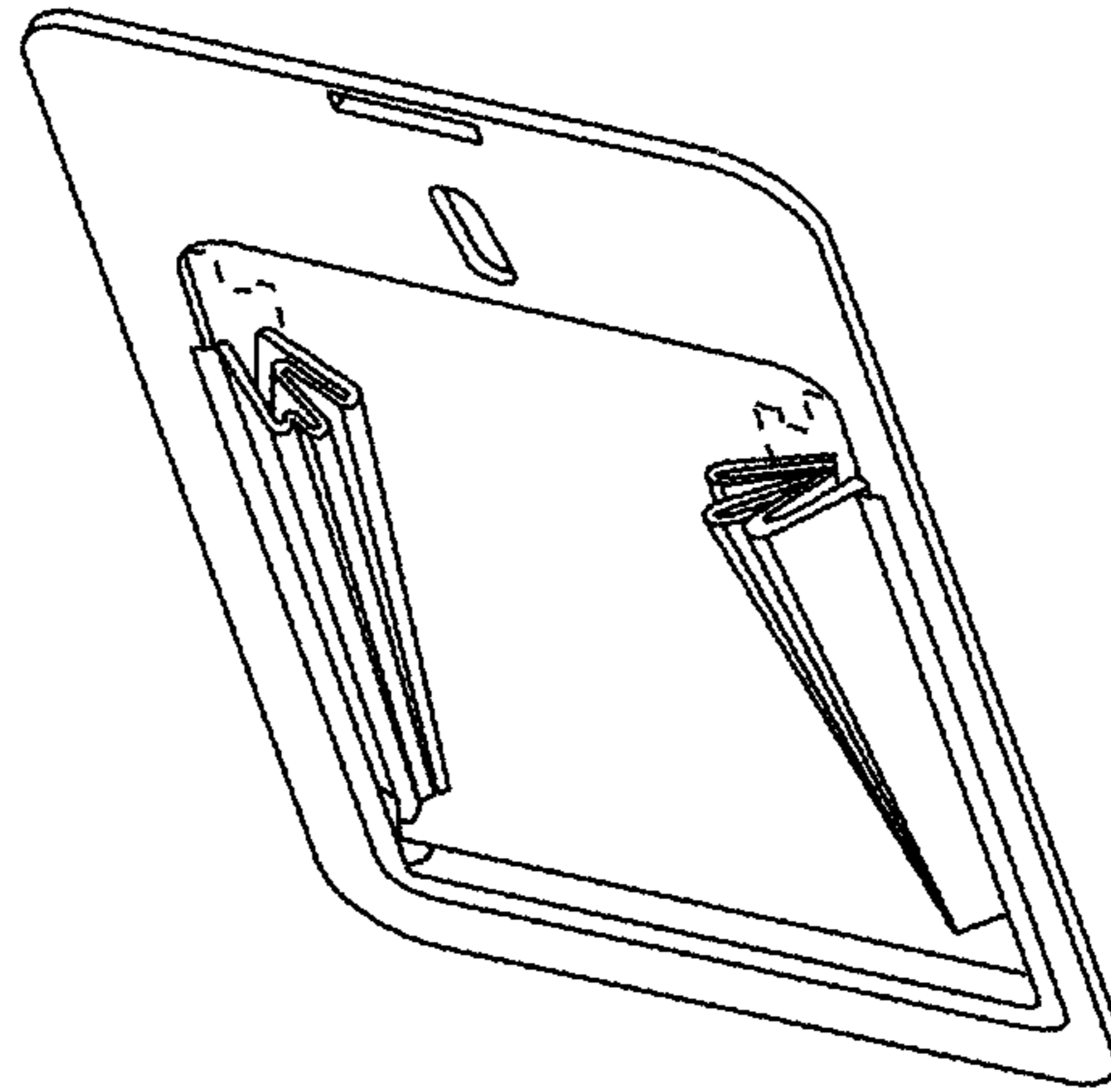


FIG. 3

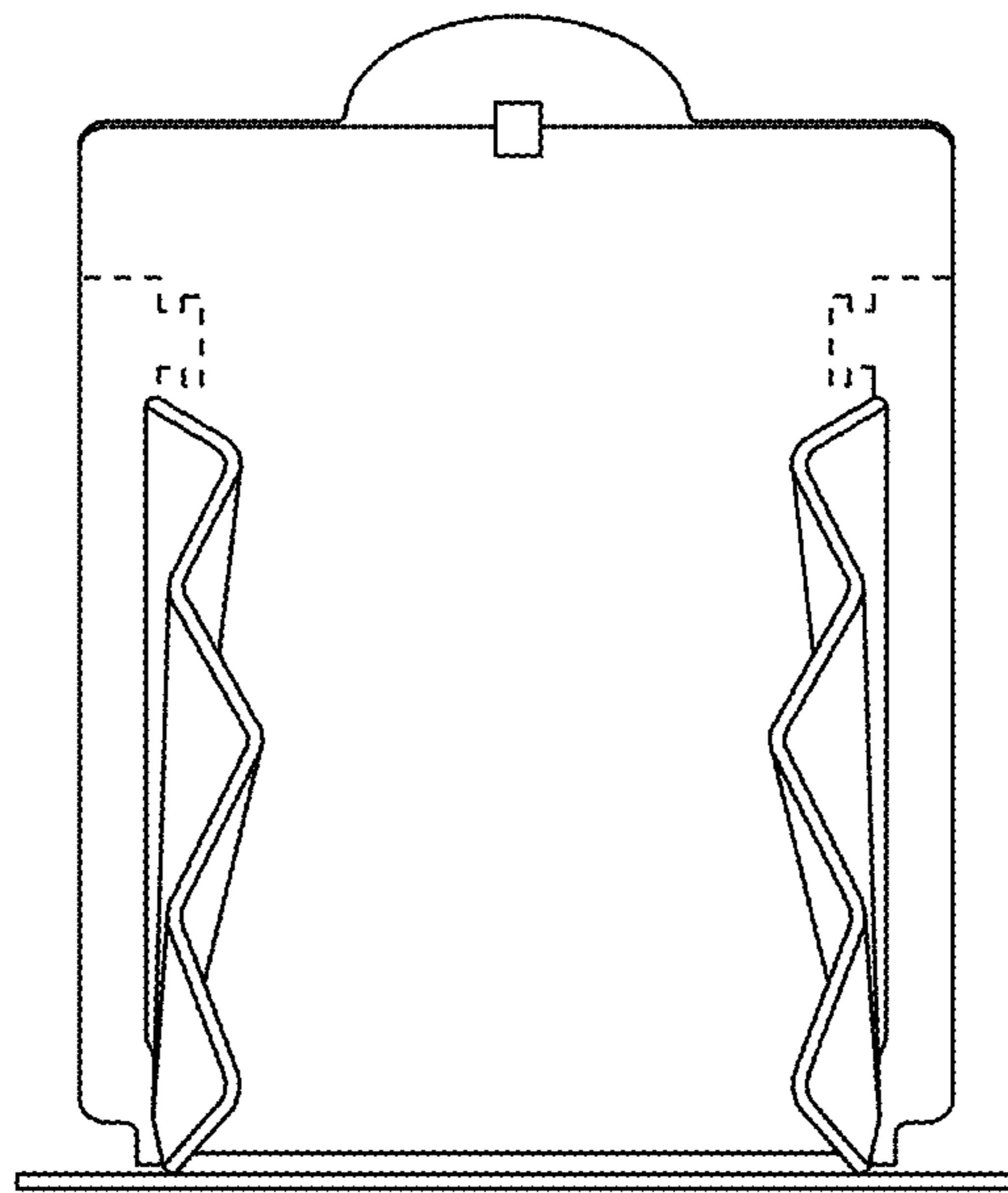


FIG. 4

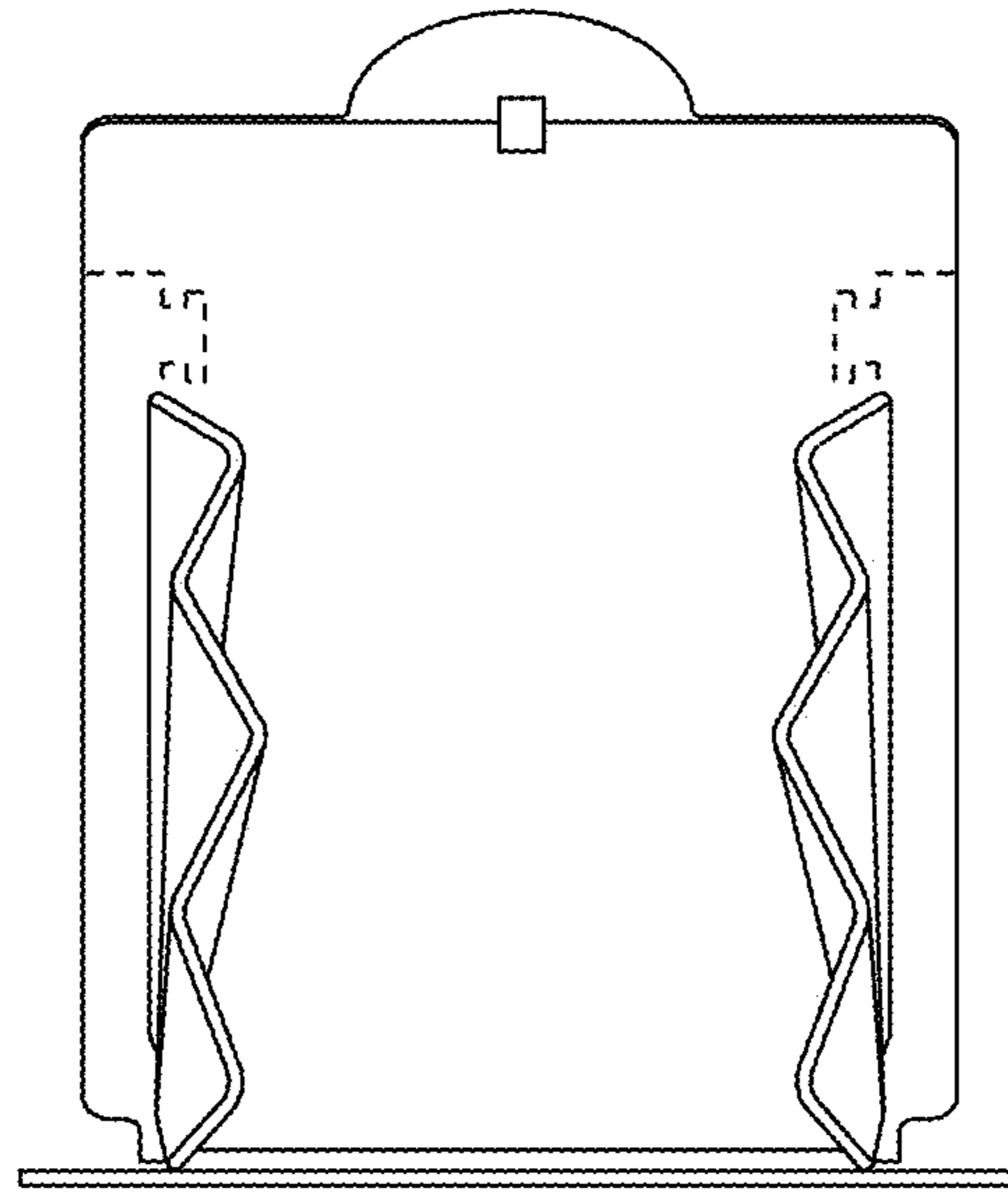


FIG. 5

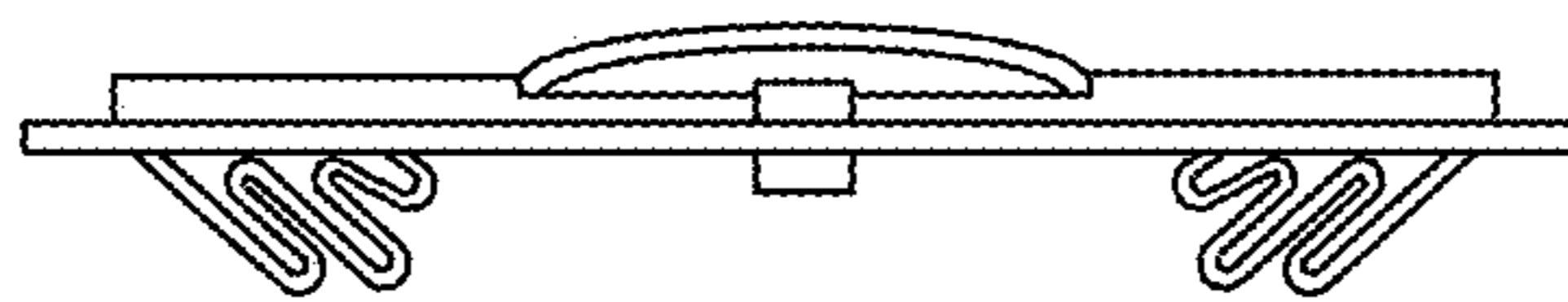


FIG. 6

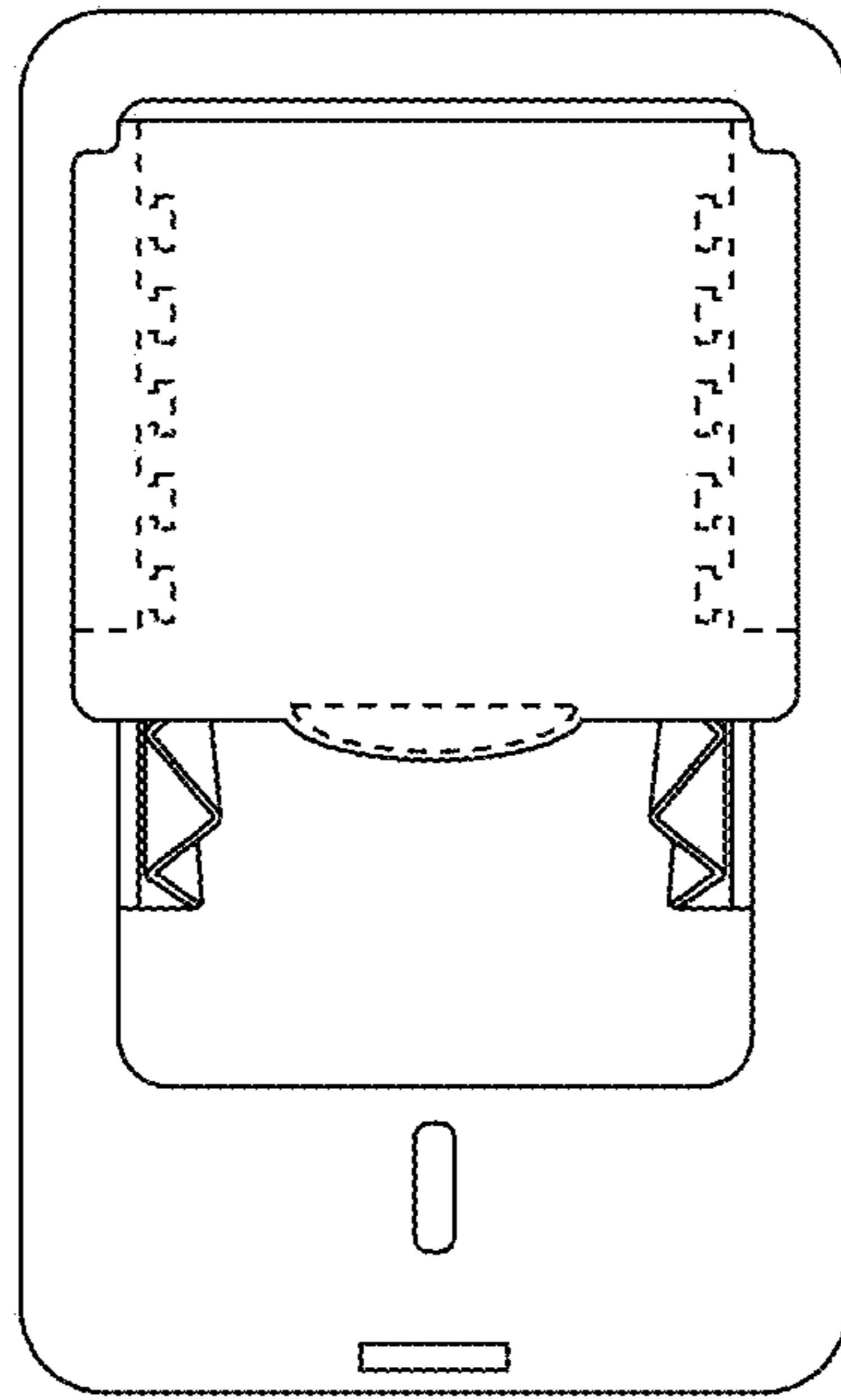


FIG. 7

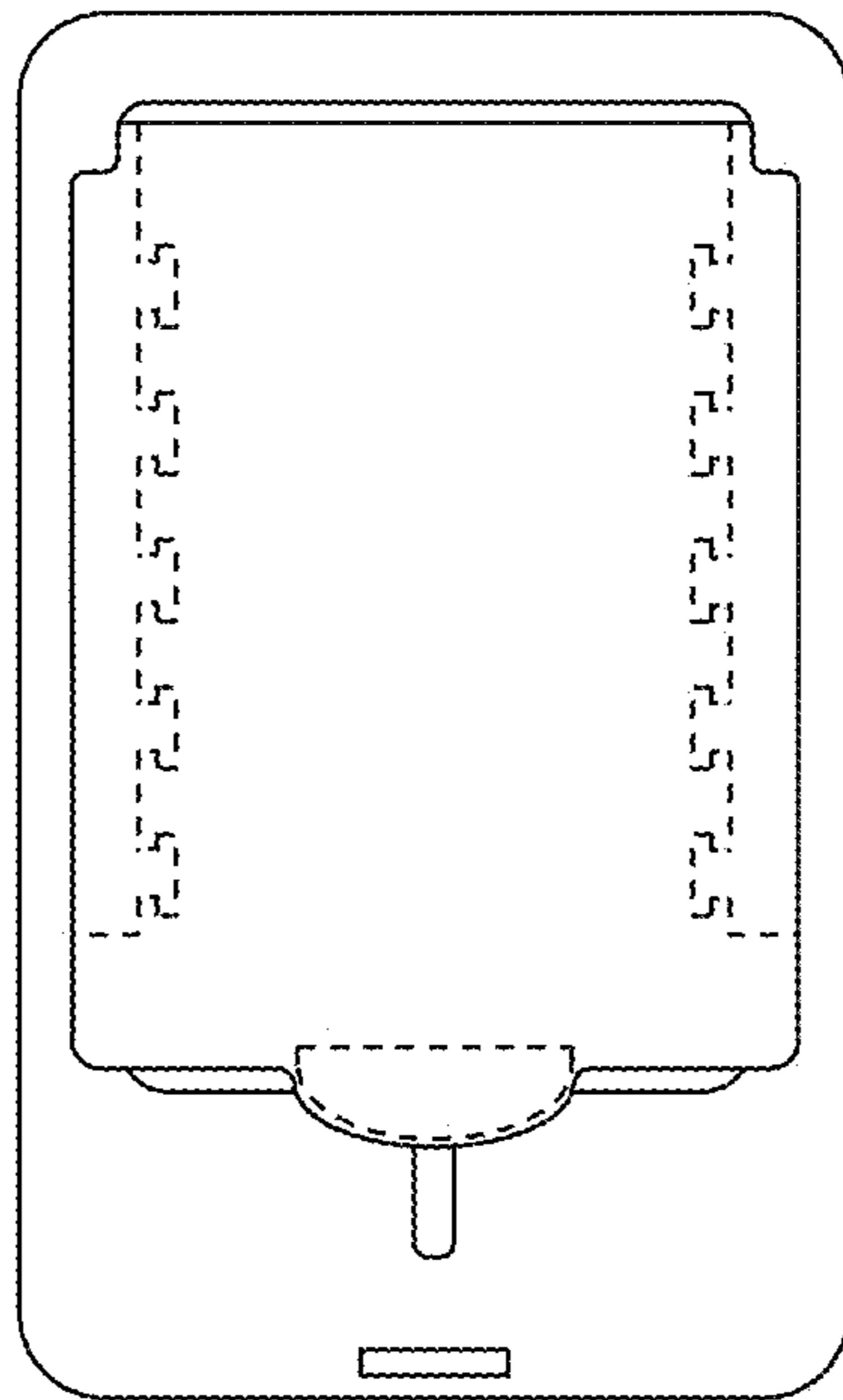


FIG. 8

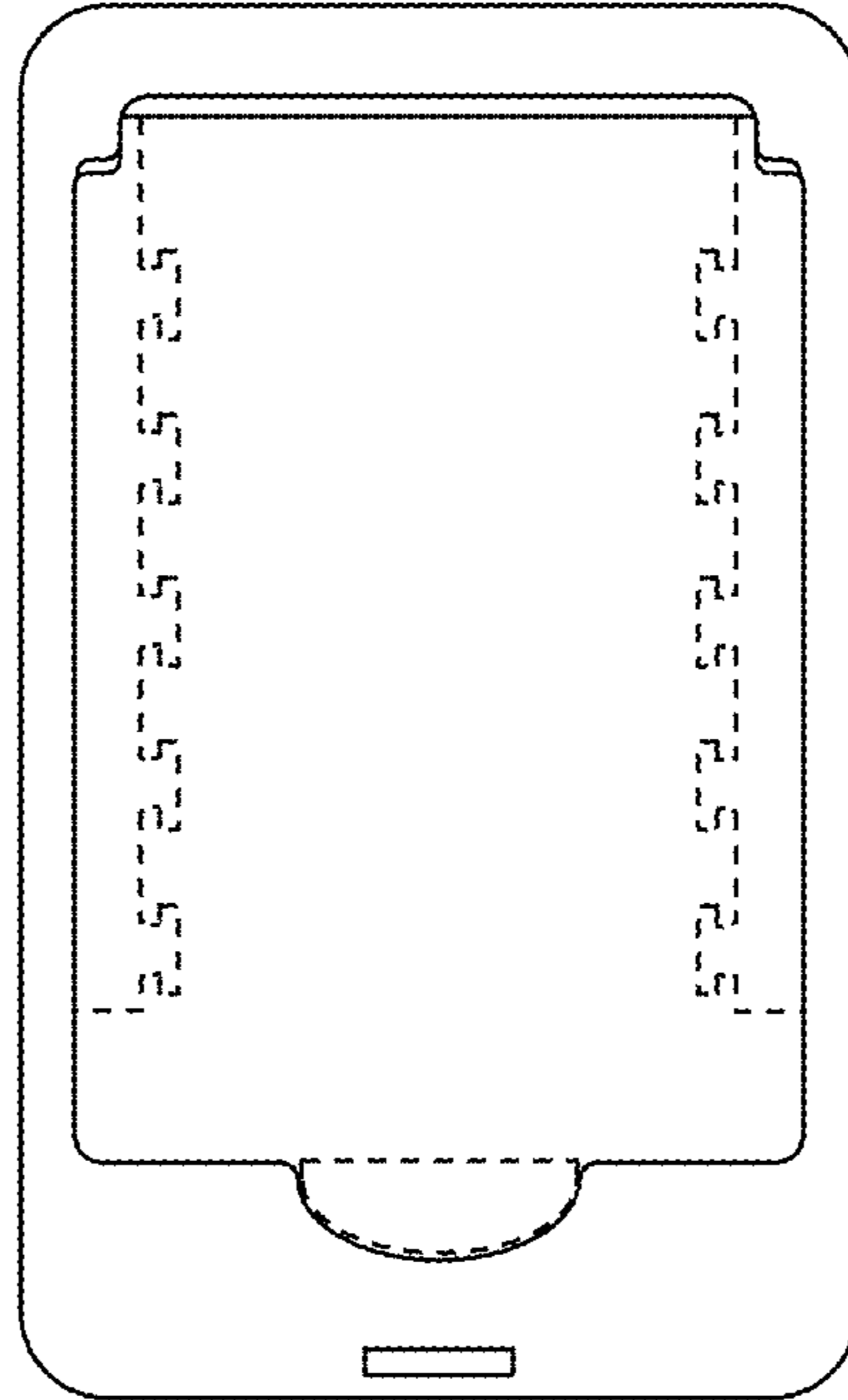


FIG. 9

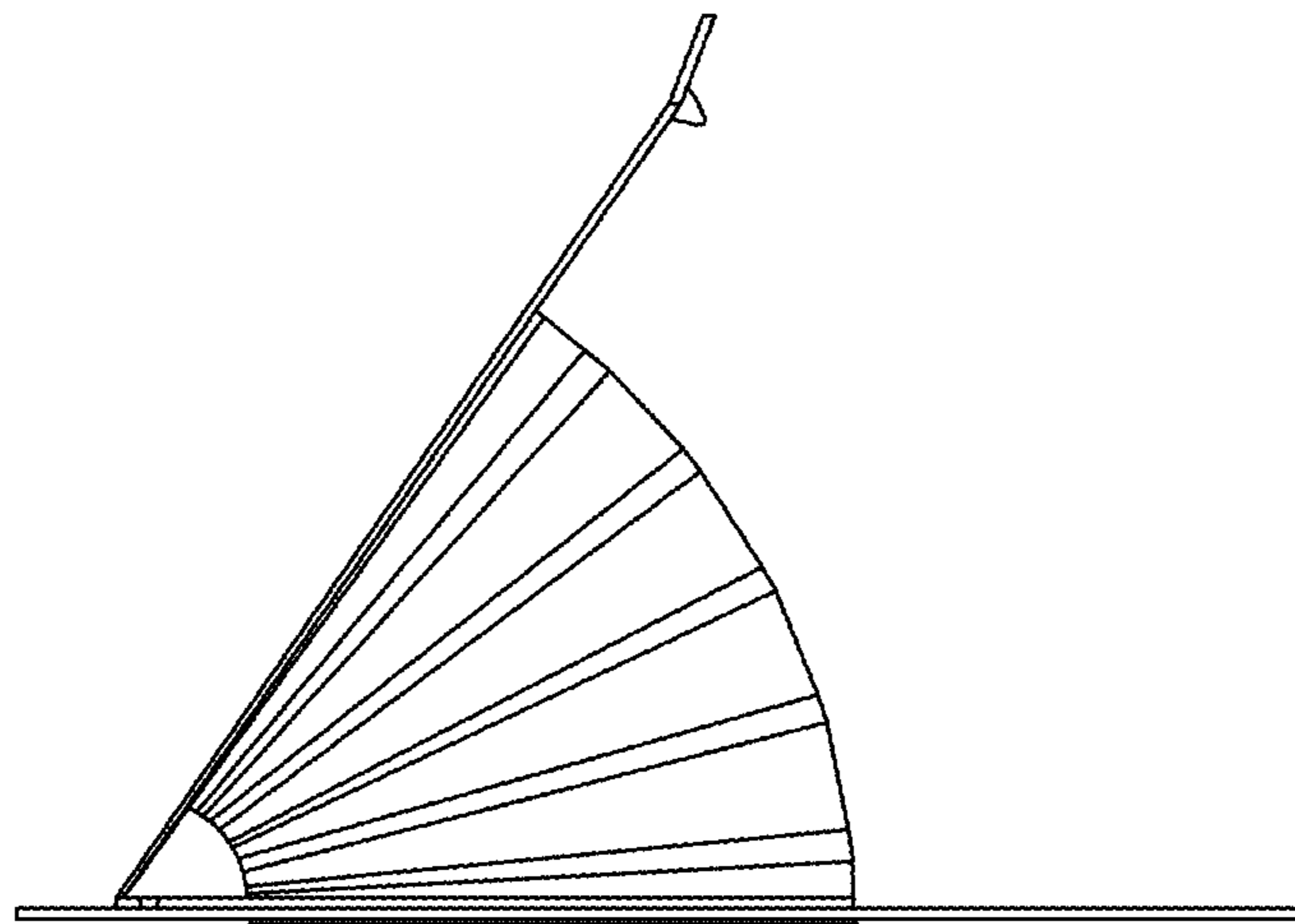


FIG. 10

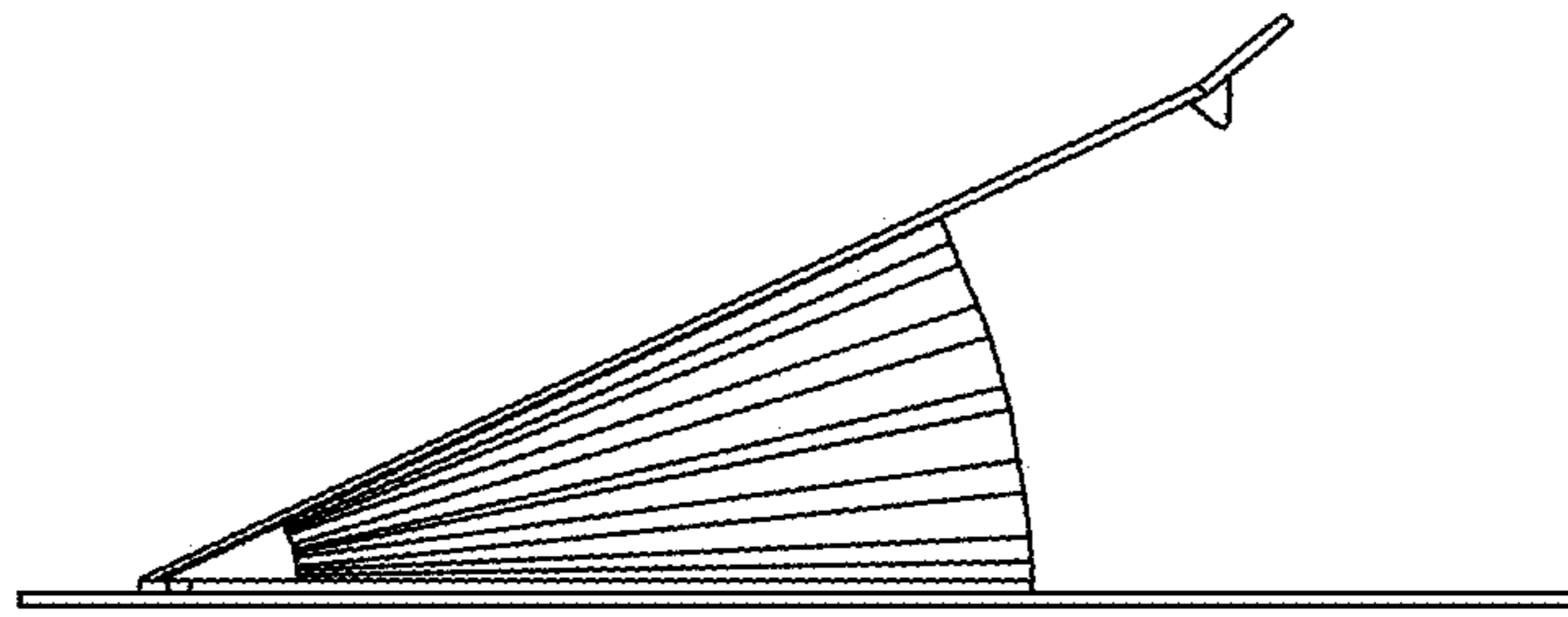


FIG. 11

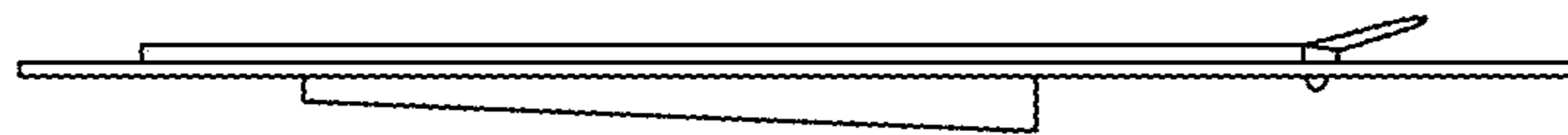


FIG. 12