

US00D940556S

(12) **United States Design Patent** (10) **Patent No.:** **US D940,556 S**
Webster (45) **Date of Patent:** **** *Jan. 11, 2022**

(54) **PROTECTIVE GUARD FOR A STAY-TAB BEVERAGE CAN**
(71) Applicant: **Donald G Webster**, Sprague, WA (US)
(72) Inventor: **Donald G Webster**, Sprague, WA (US)
(*) Notice: This patent is subject to a terminal disclaimer.
(**) Term: **15 Years**
(21) Appl. No.: **29/623,379**
(22) Filed: **Oct. 24, 2017**
(51) **LOC (13) Cl.** **09-07**
(52) **U.S. Cl.**
USPC **D9/435**; D9/434
(58) **Field of Classification Search**
USPC D3/20, 202, 203, 203.2, 203.6, 203.7, D3/207, 242, 318; D7/387, 602, 619.1, D7/619.2, 620, 621, 622, 321, 392, 392.1, D7/396.2, 396.3, 397, 398; D9/700, 701, D9/702, 721, 722, 501, 643, 648, 655, D9/748, 414, 415, 416, 418, 424, 433, D9/434, 435, 437, 438, 451, 456, 457; D20/10, 11, 22, 23, 27, 28, 40, 42, 44; D24/188, 189, 145, 224, 225, 227, 229; D23/211.1, 211.2, 212, 311; D2/946, D2/976; D8/354; D5/56; D10/47; D32/35
CPC B65D 17/4014; B65D 17/0014; B65D 17/0025; B65D 17/0044; B65D 25/325; B65D 43/162; B65D 23/10; B65D 73/0014; B65D 85/00; B65D 2203/00; B65D 2517/0014; B65D 2517/0025; B65D 2517/0044; A01N 1/0263; A47J 45/077; A47J 45/07; A63H 27/001
See application file for complete search history.

(56) **References Cited**
U.S. PATENT DOCUMENTS
D213,086 S * 1/1969 Aigner D2/976
D221,736 S * 9/1971 Jacobs D9/438
4,207,991 A * 6/1980 Amabili B65D 17/165
220/269
D308,943 S * 7/1990 Garza D9/434
D359,756 S * 6/1995 Ely D20/28
D390,463 S * 2/1998 Harrold D9/438
D390,464 S * 2/1998 Harrold D9/438
5,720,412 A * 2/1998 Ficken B65D 17/4012
220/703
5,775,534 A * 7/1998 Webb B65D 17/4012
220/269
5,845,801 A * 12/1998 Heitl B65D 17/4012
220/269

(Continued)

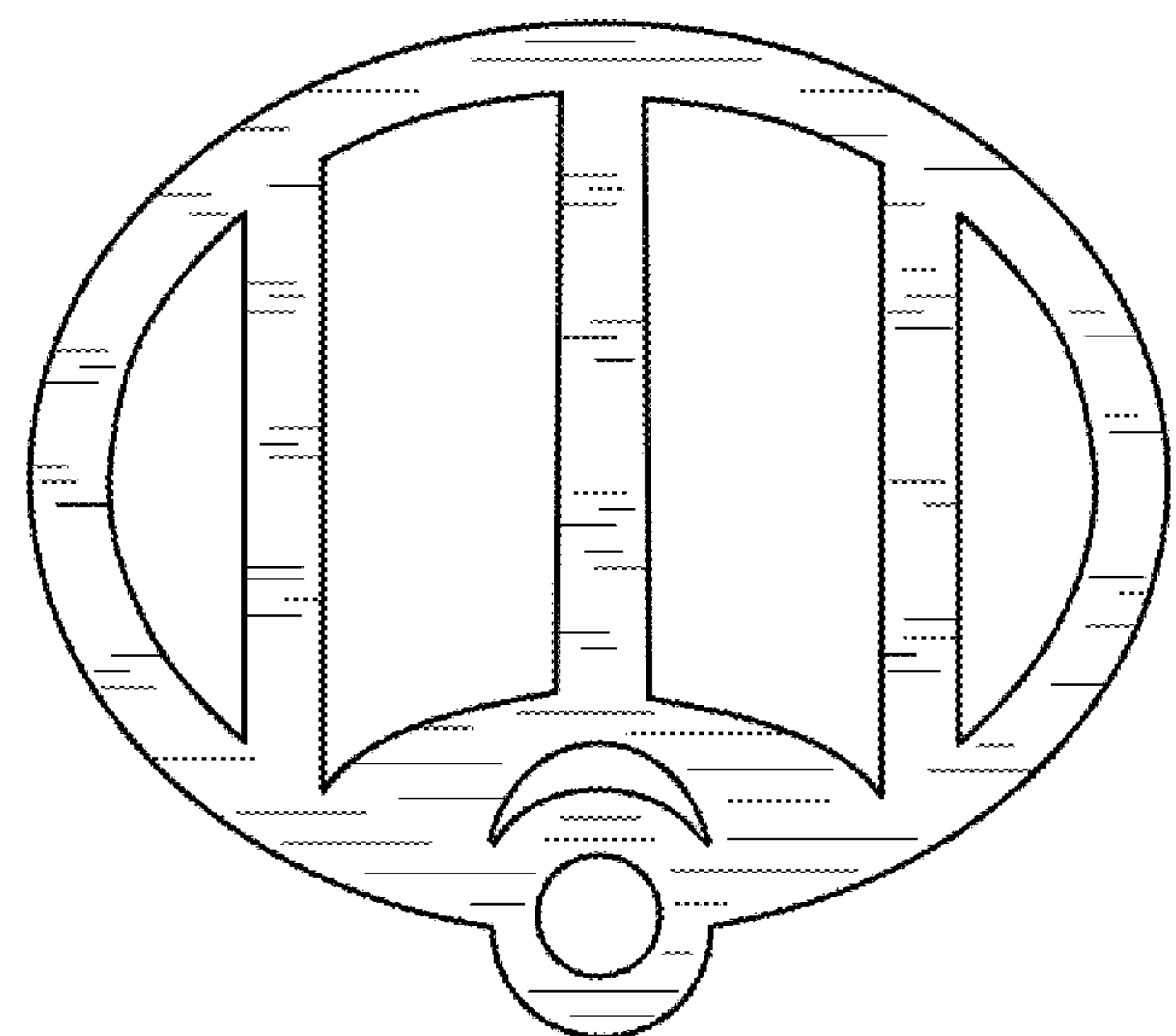
Primary Examiner — Catherine S Posthauer
(74) *Attorney, Agent, or Firm* — Farrell Patent Law PC; Mark Farrell

(57) **CLAIM**
The ornamental design for a protective guard for a stay-tab beverage can, as shown and described.

DESCRIPTION

FIG. 1 is front view of a protective guard for a stay-tab beverage can.
FIG. 2 is a back view of the protective guard for a stay-tab beverage can.
FIG. 3 is a right side view of the protective guard for a stay-tab beverage can.
FIG. 4 is a left side view of the protective guard for a stay-tab beverage can.
FIG. 5 is a top view of the protective guard for a stay-tab beverage can; and,
FIG. 6 is a bottom view of the protective guard for a stay-tab beverage can.
The shaded surfaces represent solid surfaces whereas the unshaded areas represent apertures.

1 Claim, 1 Drawing Sheet



(56)

References Cited

U.S. PATENT DOCUMENTS

6,015,059 A * 1/2000 Takayama B65D 17/4012
 220/257.2
 D422,911 S * 4/2000 Huang D9/438
 6,755,315 B1 * 6/2004 Mueller B65D 17/4012
 220/254.4
 D535,877 S * 1/2007 Tanninen D9/438
 D537,340 S * 2/2007 Bremner D9/438
 7,222,746 B2 * 5/2007 Eckstrum B65D 17/165
 220/730
 D564,350 S * 3/2008 Zahrobsky D9/434
 D620,796 S * 8/2010 McEldowney D9/438
 D624,819 S * 10/2010 Meyers D9/438
 D625,184 S * 10/2010 Forrest D9/434
 D651,898 S * 1/2012 Hess D9/435
 D654,532 S * 2/2012 Morales D17/20
 D694,108 S * 11/2013 Dunn D9/435
 D694,811 S * 12/2013 Houck, Jr. D17/20
 D696,582 S * 12/2013 Ramsey D9/438
 D696,583 S * 12/2013 Ramsey D9/438
 D708,943 S * 7/2014 van Goolen D9/438

D721,271 S * 1/2015 Fabiszewski D9/438
 D739,728 S * 9/2015 Schorre B65D 17/4012
 D9/438
 D747,649 S * 1/2016 Phillips D9/438
 D781,707 S * 3/2017 Schorre D9/438
 9,637,269 B1 * 5/2017 Zabaleta B65D 41/04
 D823,111 S * 7/2018 Ramsey D9/438
 D823,113 S * 7/2018 Lospinoso D9/438
 D877,809 S * 3/2020 Zellefrow D20/11
 2009/0200304 A1 * 8/2009 Wendle B65D 17/4012
 220/260
 2010/0180748 A1 * 7/2010 Fredrick G10D 3/173
 84/322
 2012/0285962 A1 * 11/2012 Seo B65D 17/4014
 220/258.2
 2013/0134065 A1 * 5/2013 Schorre B65D 17/4012
 206/459.5
 2016/0023802 A1 * 1/2016 Brandtner B21D 51/383
 220/258.5
 2018/0111715 A1 * 4/2018 Webster B65D 17/4014
 2018/0127167 A1 * 5/2018 Kleiner B65D 43/0202
 2018/0170632 A1 * 6/2018 da Silva B65D 17/4014

* cited by examiner

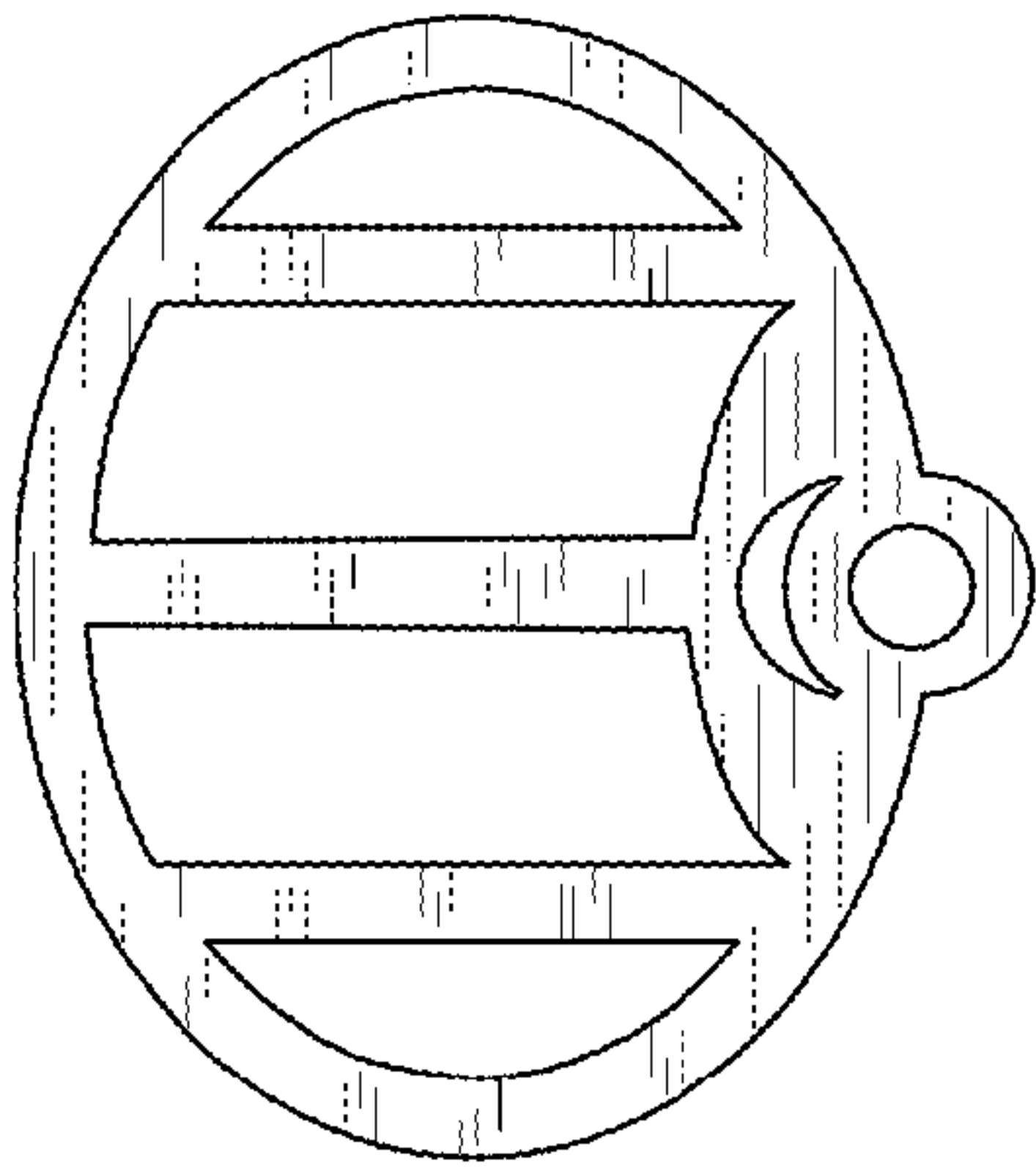


FIG. 1

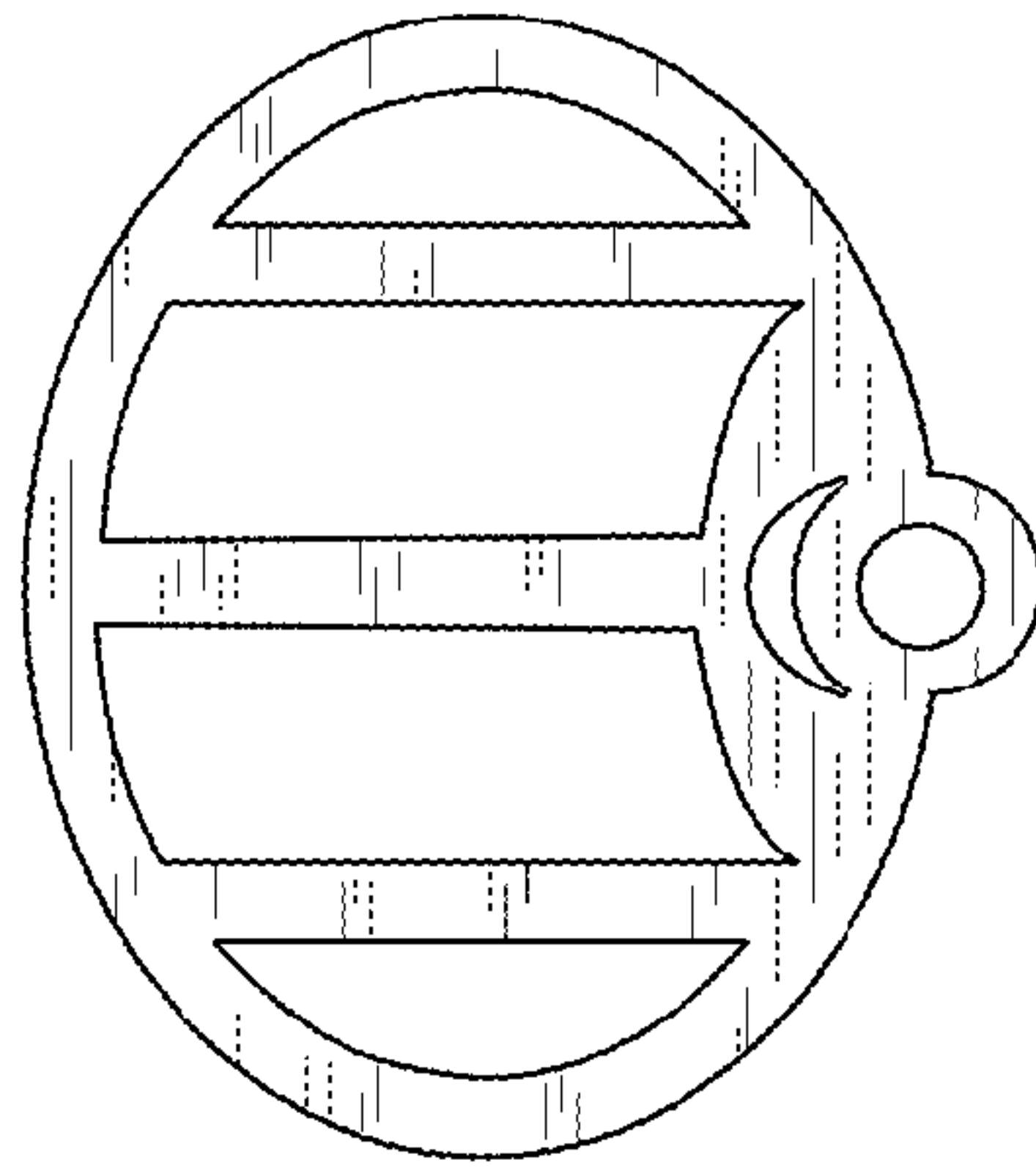


FIG. 2

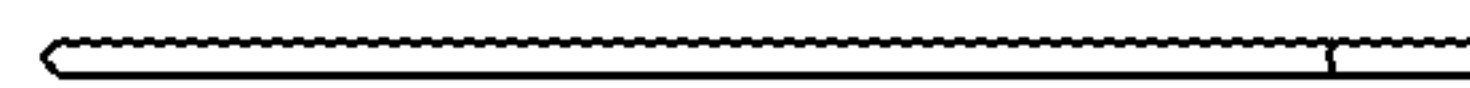


FIG. 3

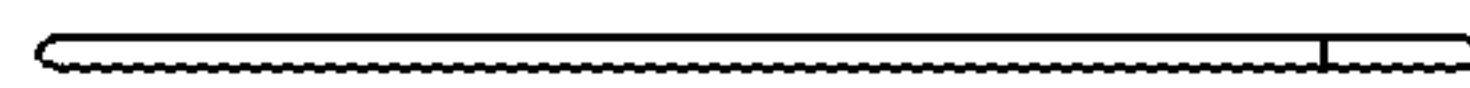


FIG. 4



FIG. 5

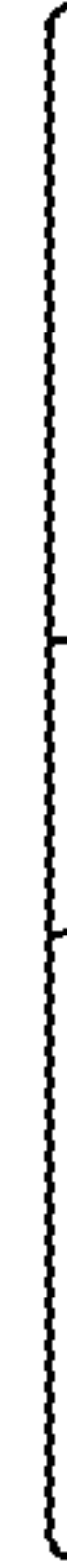


FIG. 6