



US00D940555S

(12) **United States Design Patent** (10) **Patent No.:** **US D940,555 S**  
**Kvam** (45) **Date of Patent:** **\*\* Jan. 11, 2022**

(54) **PACKAGING CONTAINER BLANK**  
(71) Applicant: **Elopak AS**, Spikkestad (NO)  
(72) Inventor: **Gerd Unni Kvam**, Hokksund (NO)  
(\*\*) Term: **15 Years**  
(21) Appl. No.: **35/509,789**  
(22) Filed: **Jan. 10, 2020**

(80) **Hague Agreement Data**

Int. Filing Date: **Jan. 10, 2020**  
Int. Reg. No.: **DM/207897**  
Int. Reg. Date: **Jan. 10, 2020**  
Int. Reg. Pub. Date: **Jul. 10, 2020**

(51) **LOC (13) Cl.** ..... **09-03**  
(52) **U.S. Cl.**  
USPC ..... **D9/433**  
(58) **Field of Classification Search**  
USPC ..... D9/414, 416–417, 429, 430–433  
CPC ..... B65D 5/067; B65D 2571/0066; B65D  
5/4266; B65D 15/22; B65D 2571/0029;  
B65D 75/5855; B65D 77/065; B65D  
5/708

See application file for complete search history.

(56) **References Cited**

U.S. PATENT DOCUMENTS

2,738,916 A \* 3/1956 Peters ..... B65D 5/708  
229/125.05  
4,781,323 A \* 11/1988 Elias ..... B65D 5/065  
220/255.1  
5,556,026 A \* 9/1996 Blankitny ..... B65D 5/0236  
229/123.1

5,938,107 A \* 8/1999 Anchor ..... B65D 5/064  
229/109  
D717,167 S \* 11/2014 Stone ..... D9/433  
D717,647 S \* 11/2014 De Pietri Tonelli ..... D9/433  
D720,214 S \* 12/2014 De Pietri Tonelli ..... D9/433  
D721,957 S \* 2/2015 Scales ..... D9/433  
2008/0240628 A1 \* 10/2008 VanLoocke ..... B65D 75/5855  
383/210  
2010/0012711 A1 \* 1/2010 Paulen ..... B65D 5/029  
229/248  
2015/0102095 A1 \* 4/2015 Wong ..... B31B 50/88  
229/125.42  
2015/0166215 A1 \* 6/2015 DiRico ..... B65D 5/708  
229/123.1  
2017/0073102 A1 \* 3/2017 Borasi ..... B65B 3/025  
2019/0047744 A1 \* 2/2019 Dahan ..... B65D 5/4275  
2020/0207055 A1 \* 7/2020 Wirtz ..... B65B 3/04  
2020/0216247 A1 \* 7/2020 Barran ..... B65D 75/5838  
2020/0317390 A1 \* 10/2020 Leufstedt ..... B65D 5/064  
2021/0147110 A1 \* 5/2021 Nakamura ..... B65D 5/4266  
2021/0178348 A1 \* 6/2021 Sasso ..... B65D 5/48016

\* cited by examiner

*Primary Examiner* — Michael A. Pratt

(57) **CLAIM**

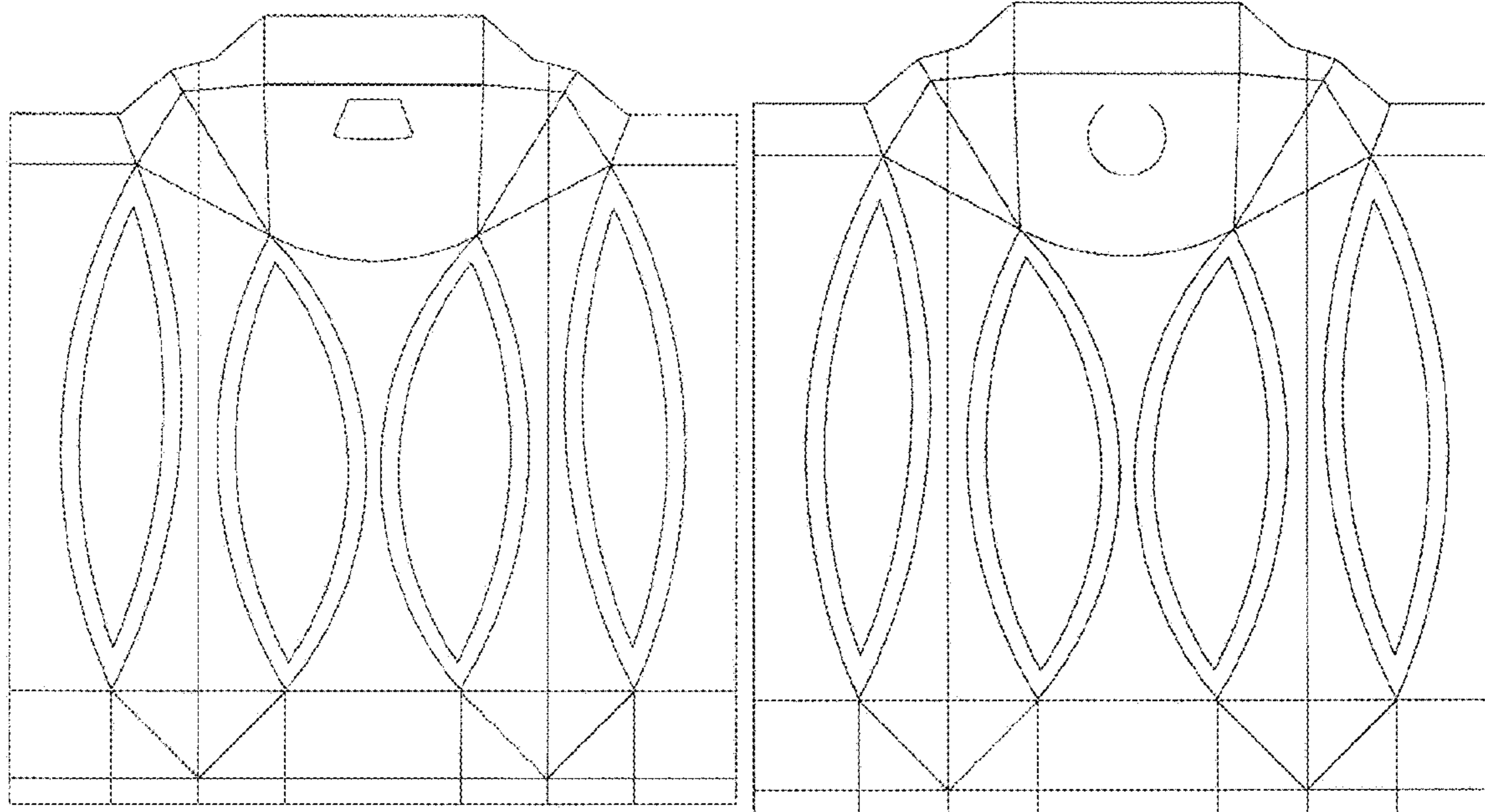
The ornamental design for packaging container blank, as shown and described.

**DESCRIPTION**

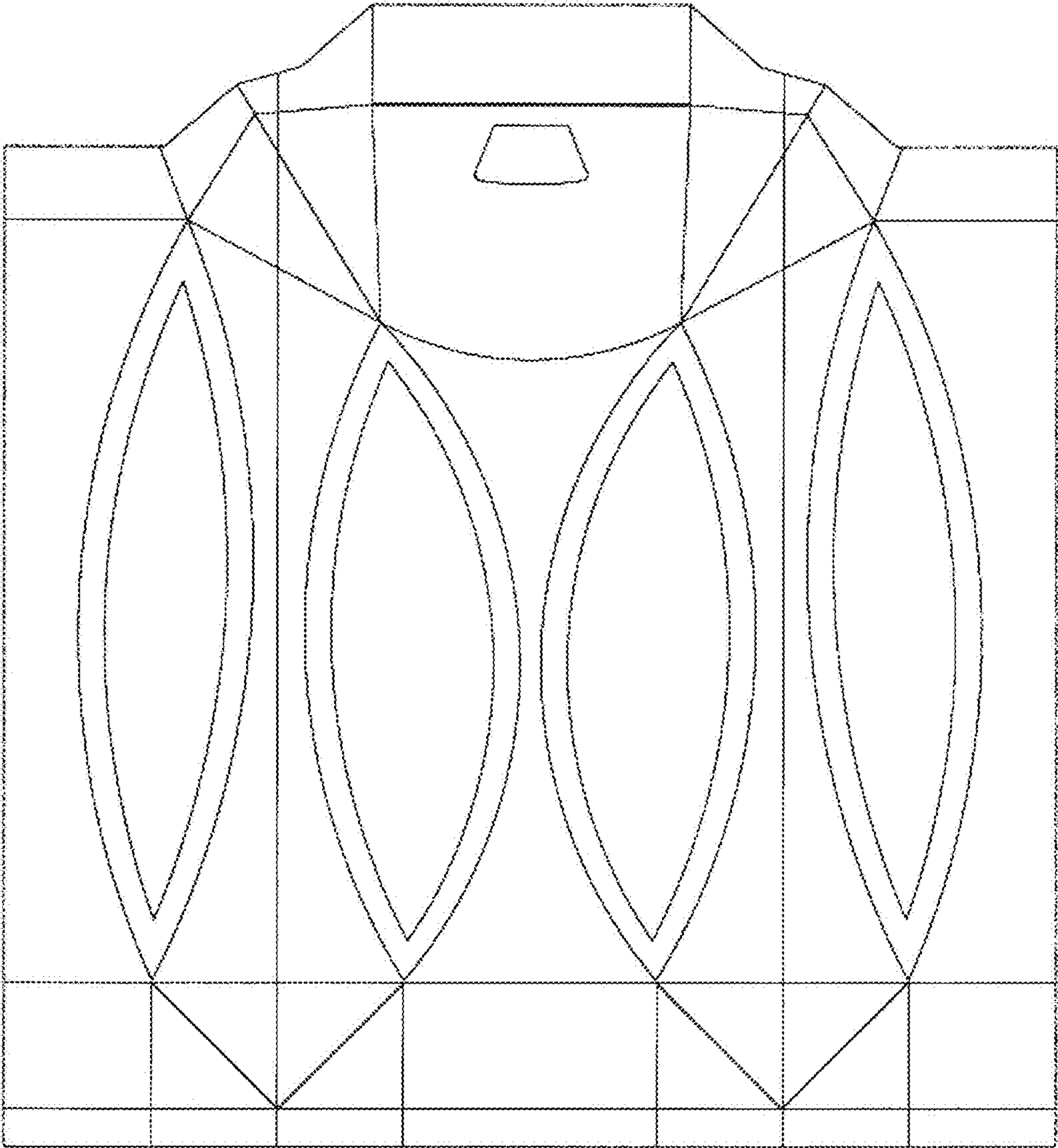
- 1. Packaging container blank
- 3. Packaging container blank
- 5. Packaging container blank
- 1.0 : Front
- 3.0 : Front
- 5.0 : Front

The broken line depicted in Reproduction 5.0 is for illustrative purposes only and forms no part of the claimed design.

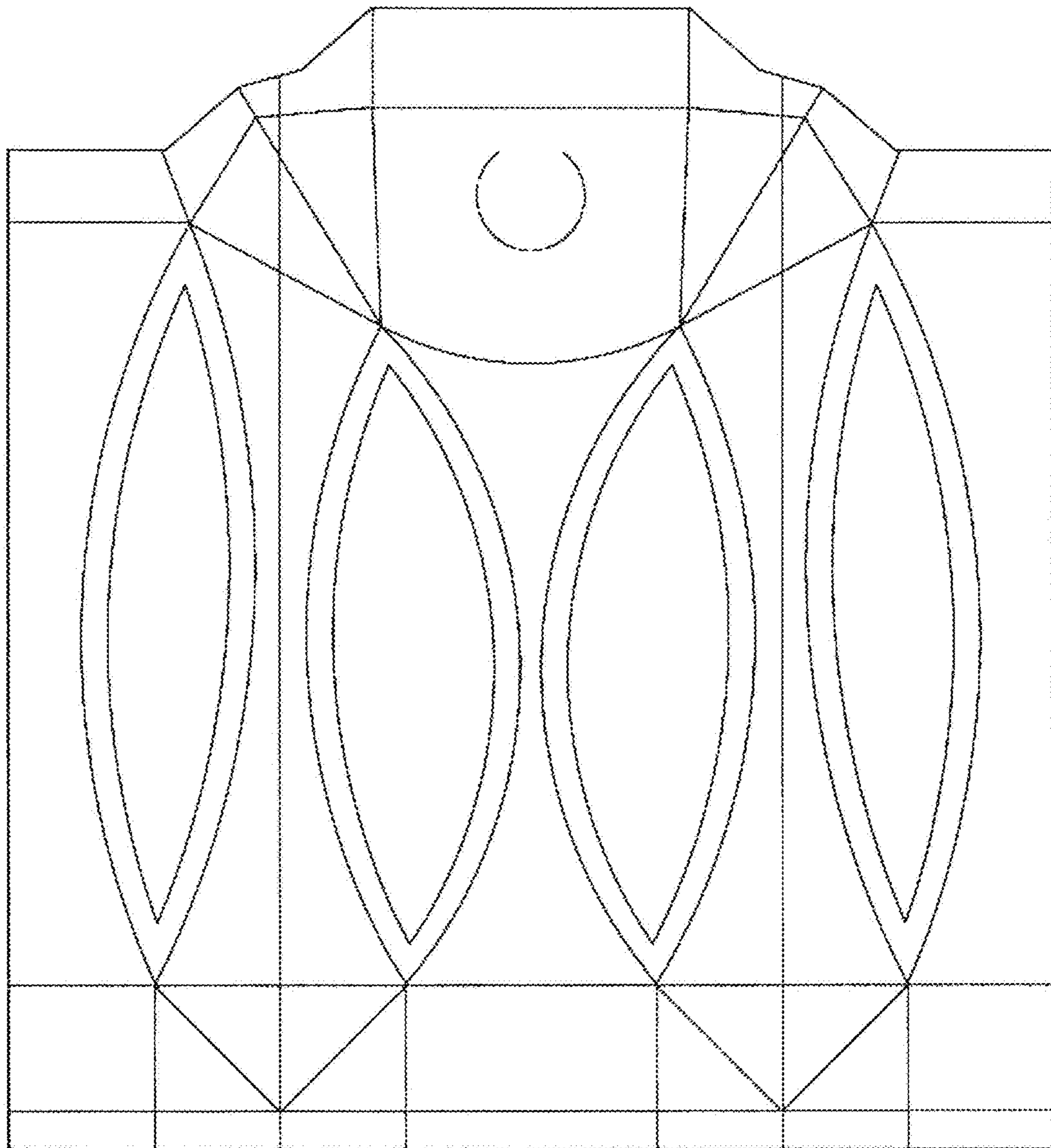
**1 Claim, 3 Drawing Sheets**



1



3





5

