



US00D940554S

(12) **United States Design Patent**
Kvam

(10) **Patent No.:** **US D940,554 S**

(45) **Date of Patent:** **** Jan. 11, 2022**

- (54) **PACKAGING CONTAINER BLANK**
- (71) Applicant: **Elopak AS**, Spikkestad (NO)
- (72) Inventor: **Gerd Unni Kvam**, Hokksund (NO)
- (**) Term: **15 Years**
- (21) Appl. No.: **35/509,783**
- (22) Filed: **Jan. 10, 2020**
- (80) **Hague Agreement Data**
 Int. Filing Date: **Jan. 10, 2020**
 Int. Reg. No.: **DM/206872**
 Int. Reg. Date: **Jan. 10, 2020**
 Int. Reg. Pub. Date: **Jul. 10, 2020**
- (51) **LOC (13) Cl.** **09-03**
- (52) **U.S. Cl.**
USPC **D9/433**
- (58) **Field of Classification Search**
USPC D9/414, 416–417, 429, 430–433
CPC B65D 5/067; B65D 2571/0066; B65D
5/4266; B65D 15/22; B65D 2571/0029;
B65D 75/5855; B65D 77/065; B65D
5/708
See application file for complete search history.

- (56) **References Cited**
U.S. PATENT DOCUMENTS
2,738,916 A * 3/1956 Peters B65D 5/708
229/125.05
4,781,323 A * 11/1988 Elias B65D 5/065
220/255.1
5,556,026 A * 9/1996 Blankitny B65D 5/0236
229/123.1

- 5,938,107 A * 8/1999 Anchor B65D 5/064
229/109
- D717,167 S * 11/2014 Stone D9/433
- D717,647 S * 11/2014 De Pietri Tonelli D9/433
- D720,214 S * 12/2014 De Pietri Tonelli D9/433
- D721,957 S * 2/2015 Scales D9/433
- 2008/0240628 A1 * 10/2008 VanLoocke B65D 75/5855
383/210
- 2010/0012711 A1 * 1/2010 Paulen B65D 5/029
229/248
- 2015/0102095 A1 * 4/2015 Wong B31B 50/88
229/125.42
- 2015/0166215 A1 * 6/2015 DiRico B65D 5/708
229/123.1
- 2017/0073102 A1 * 3/2017 Borasi B65B 3/025
- 2019/0047744 A1 * 2/2019 Dahan B65D 5/4275
- 2020/0207055 A1 * 7/2020 Wirtz B65B 3/04
- 2020/0216247 A1 * 7/2020 Barran B65D 75/5838
- 2020/0317390 A1 * 10/2020 Leufstedt B65D 5/064
- 2021/0147110 A1 * 5/2021 Nakamura B65D 5/4266
- 2021/0178348 A1 * 6/2021 Sasso B65D 5/48016

* cited by examiner

Primary Examiner — Michael A. Pratt

(57) **CLAIM**

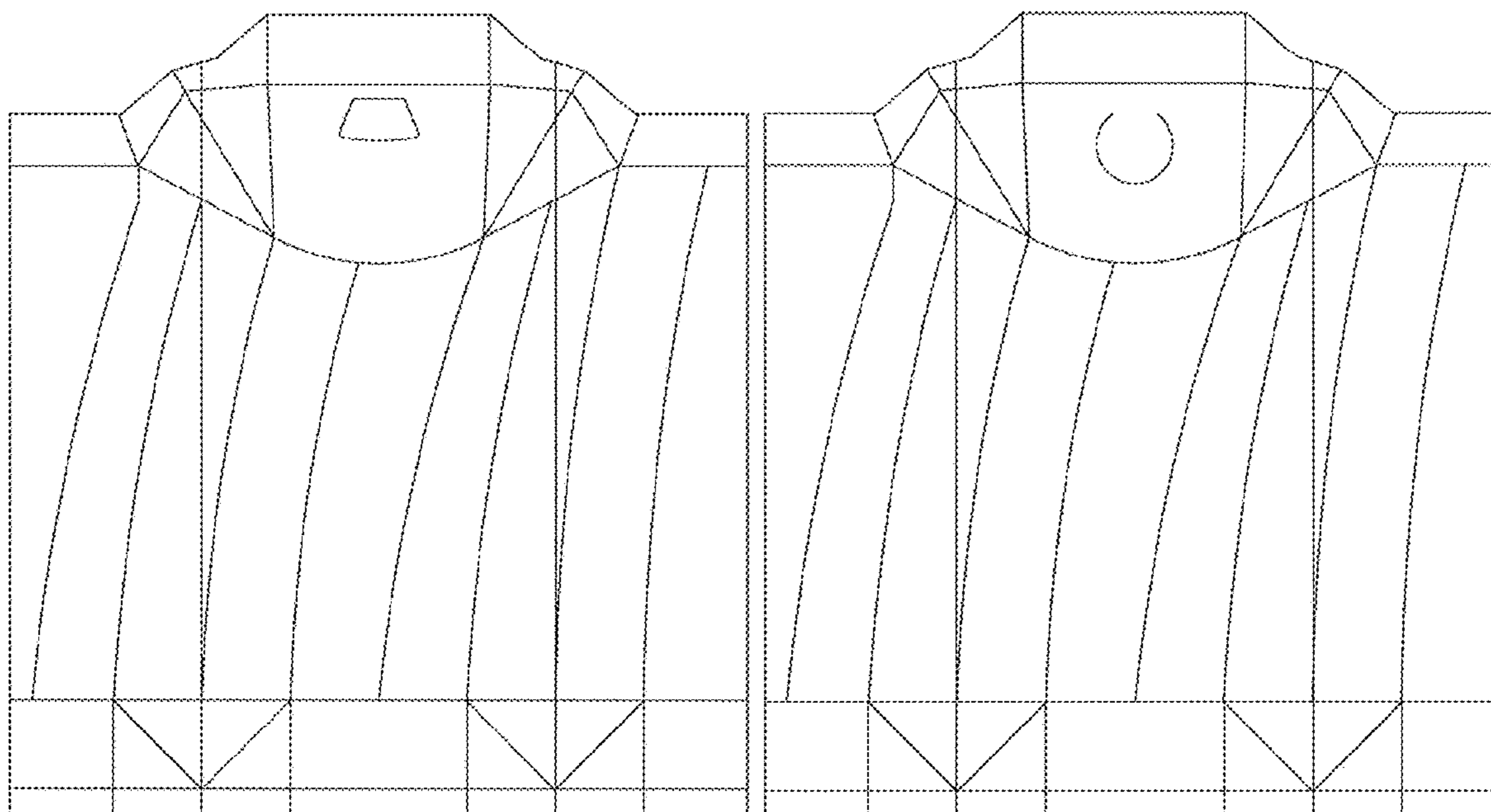
The ornamental design for packaging container blank, as shown and described.

DESCRIPTION

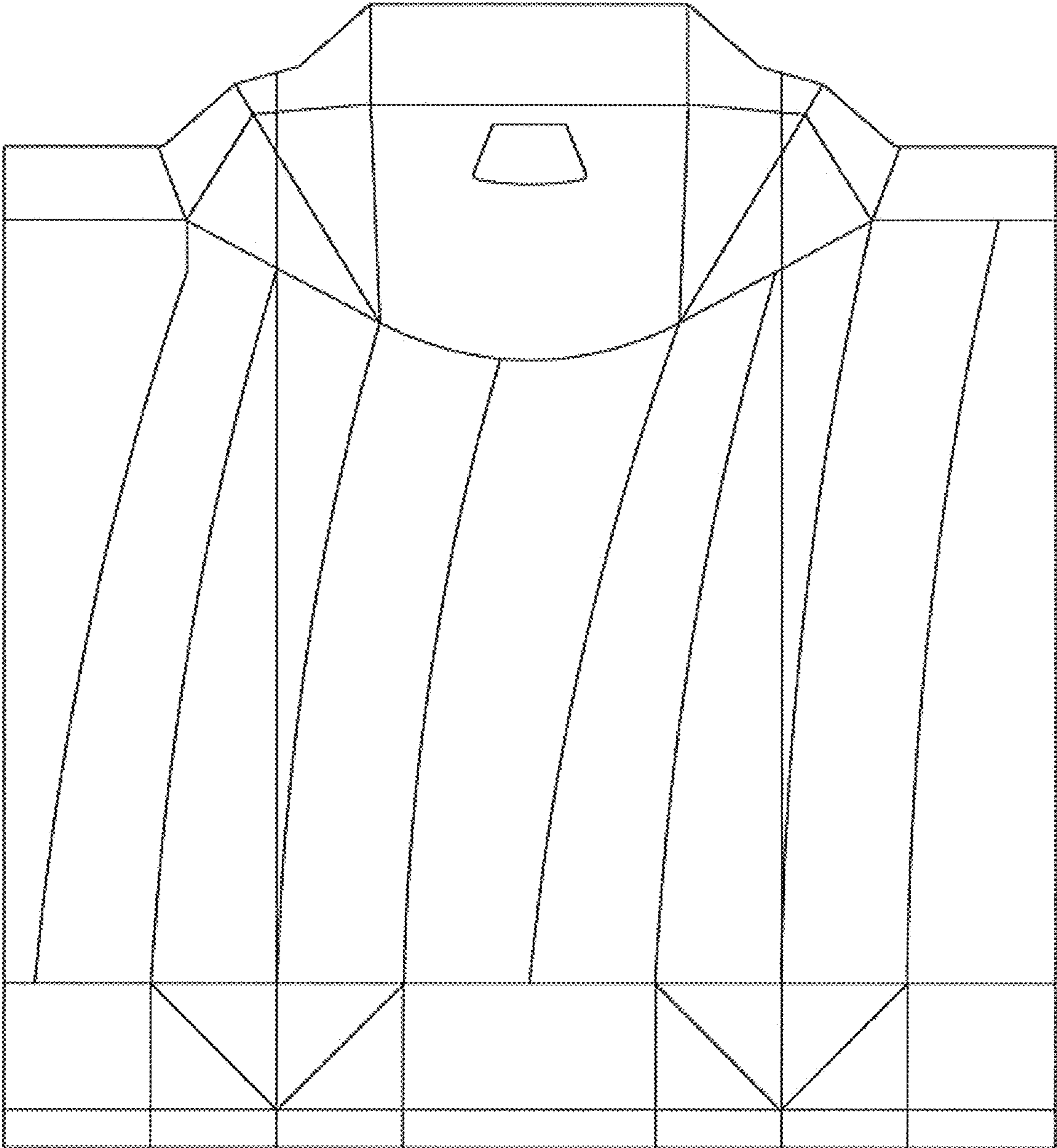
- 1. Packaging container blank
- 3. Packaging container blank
- 5. Packaging container blank
- 1.0** : Front
- 3.0** : Front
- 5.0** : Front

The broken line depicted in Reproduction **5.0** is for illustrative purposes only and forms no part of the claimed design.

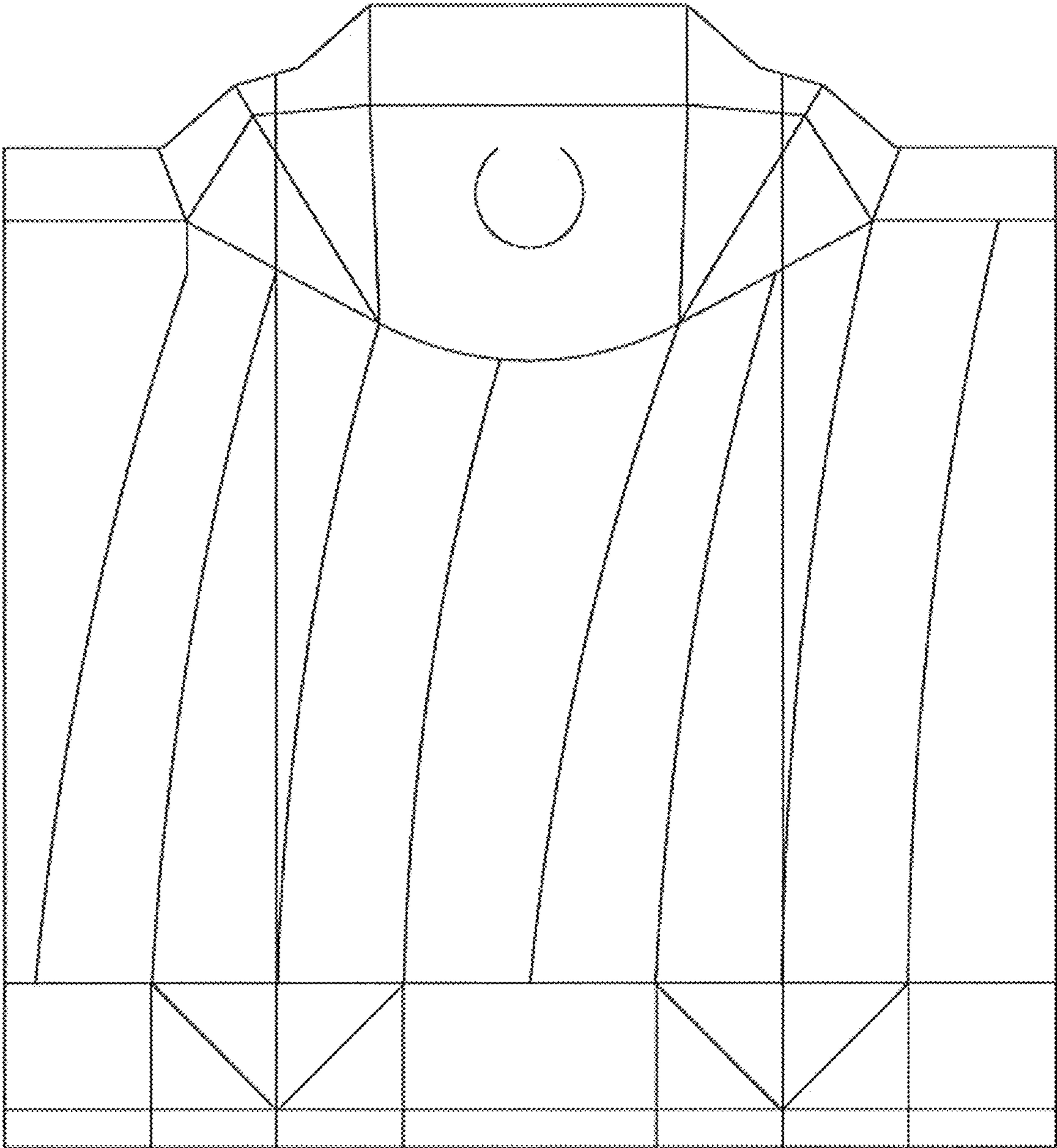
1 Claim, 3 Drawing Sheets



1



3



5

