

US00D940550S

(12) **United States Design Patent** (10) **Patent No.:** **US D940,550 S**  
**Safdie et al.** (45) **Date of Patent:** **\*\* Jan. 11, 2022**

(54) **PACKAGE FOR GROOMING ACCESSORIES**

D829,565 S \* 10/2018 Safdie ..... D9/737  
D849,393 S \* 5/2019 Denton ..... D3/203.1  
D928,630 S \* 8/2021 Liu ..... D9/737

(71) Applicant: **Best Accessory Group LLC**, New York, NY (US)

(Continued)

(72) Inventors: **Abraham Safdie**, Brooklyn, NY (US);  
**Jack Saban**, Brooklyn, NY (US)

OTHER PUBLICATIONS

(73) Assignee: **Best Accessory Group LLC**, New York, NY (US)

“Nail . . . ” reference dated Aug. 26, 2021 found on the internet by RMS at: [https://www.amazon.com/Clippers-HOCOSY-Manicure-Stainless-Professional/dp/B08C4ZBKBP/ref=asc\\_df\\_B08C4ZBKBP/?tag=hyprod-20&linkCode=df0&hvadid=475772187790&hvpos=&hvnetw=g&hvrand=507180623429087147&hvpone=&hvptwo=&hvqmt=&hvdev=c&hvdvcmld=&hvlocint.\\*](https://www.amazon.com/Clippers-HOCOSY-Manicure-Stainless-Professional/dp/B08C4ZBKBP/ref=asc_df_B08C4ZBKBP/?tag=hyprod-20&linkCode=df0&hvadid=475772187790&hvpos=&hvnetw=g&hvrand=507180623429087147&hvpone=&hvptwo=&hvqmt=&hvdev=c&hvdvcmld=&hvlocint.*)

(Continued)

(\*\*) Term: **15 Years**

(21) Appl. No.: **29/720,560**

(22) Filed: **Jan. 14, 2020**

*Primary Examiner* — Rhea Shields

(51) **LOC (13) Cl.** ..... **09-03**

(74) *Attorney, Agent, or Firm* — Dorton & Willis, LLP

(52) **U.S. Cl.**  
USPC ..... **D9/418**

(57) **CLAIM**

(58) **Field of Classification Search**  
USPC ..... D9/418, 420, 737, 715, 415, 711;  
D24/227; D3/318, 315, 203.1; D28/61  
CPC ..... B65B 7/28; B65D 25/102; B65D 1/022;  
B25H 3/06; B25H 3/003; A61B 50/20;  
A61B 50/33  
See application file for complete search history.

The ornamental design for a package for grooming accessories, as shown and described.

**DESCRIPTION**

(56) **References Cited**

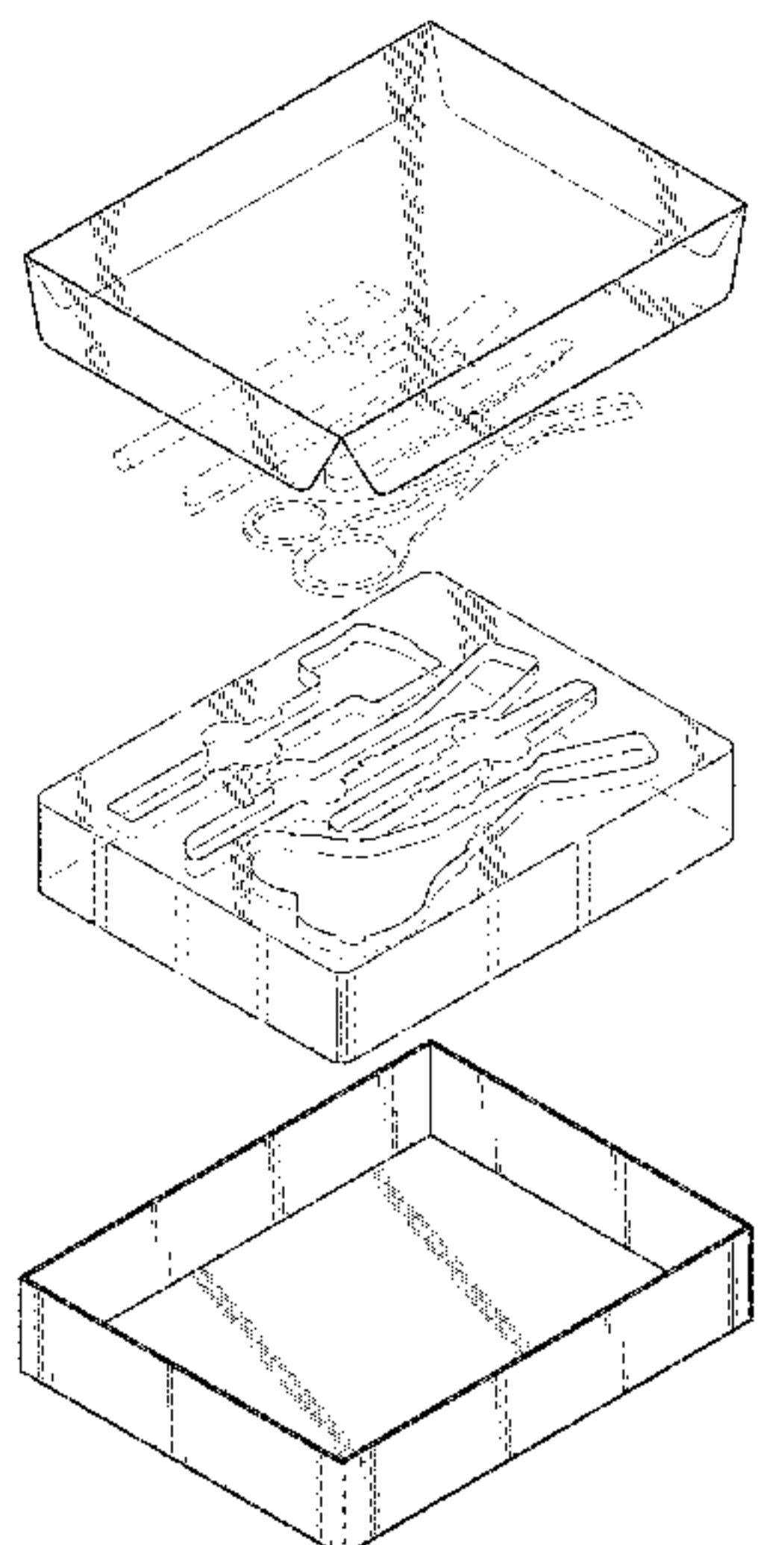
U.S. PATENT DOCUMENTS

- 4,153,160 A \* 5/1979 Leigh ..... A61B 50/33  
206/370
- D258,391 S \* 2/1981 Bohn ..... D28/61
- D275,453 S \* 9/1984 Bankier ..... D9/415
- 4,595,102 A \* 6/1986 Cianci ..... A61B 50/33  
206/370
- D289,856 S \* 5/1987 Easterling ..... D9/737
- 5,320,223 A \* 6/1994 Allen ..... B25H 3/06  
206/372
- D369,678 S \* 5/1996 Hammer ..... D3/318
- D621,282 S \* 8/2010 Yagi ..... D9/711
- D723,387 S \* 3/2015 Fath ..... D9/711
- D785,943 S \* 5/2017 Dutil ..... D3/315
- D800,337 S \* 10/2017 Daines ..... D24/227
- D806,565 S \* 1/2018 Fath ..... D9/715

FIG. 1 is a top perspective view of our new package for personal grooming accessories design;  
FIG. 2 is a top view thereof;  
FIG. 3 is a bottom view thereof;  
FIG. 4 is a right-side elevation view thereof, the left-side elevation view being identical;  
FIG. 5 is a front elevation view thereof, the rear elevation view being identical;  
FIG. 6 is an exploded perspective view thereof, in a first arrangement;  
FIG. 7 is an exploded perspective view thereof, in a second arrangement; and,  
FIG. 8 is an exploded perspective view thereof, in a third arrangement.

The broken lines showing grooming accessories illustrate environmental structure. All other broken lines illustrate portions of the package for personal grooming accessories. The broken lines form no part of the claimed design.

**1 Claim, 7 Drawing Sheets**



(56)

**References Cited**

U.S. PATENT DOCUMENTS

2003/0226781 A1\* 12/2003 Liao ..... B65D 21/022  
206/525  
2006/0091031 A1\* 5/2006 Bowen ..... B25H 3/06  
206/372  
2010/0276436 A1\* 11/2010 Liu ..... B25H 3/003  
220/735  
2013/0277262 A1\* 10/2013 Nemard ..... B65D 25/102  
206/438  
2016/0100891 A1\* 4/2016 Richman ..... A61B 50/20  
206/370  
2017/0354474 A1\* 12/2017 Dobbyn ..... B65B 7/28

OTHER PUBLICATIONS

“Mani and Pedi . . . ” reference dated Aug. 26, 2021 found on the internet by RMS at: <https://www.amazon.com/Daisy-Fuentes-MANI-TOOLS-NAIL-CARE/dp/B07DQJ3HTG>.\*

“Trim . . . ” reference dated Aug. 26, 2021 found on the internet by RMS at: [https://www.vitabox.com/trim-family-manicure-kit-5-ct/?gclid=EAlalQobChM12-vP-NjU8glV6fvICh3ukQ6LEAkYByABEgKz2vD\\_BwE](https://www.vitabox.com/trim-family-manicure-kit-5-ct/?gclid=EAlalQobChM12-vP-NjU8glV6fvICh3ukQ6LEAkYByABEgKz2vD_BwE).\*

\* cited by examiner

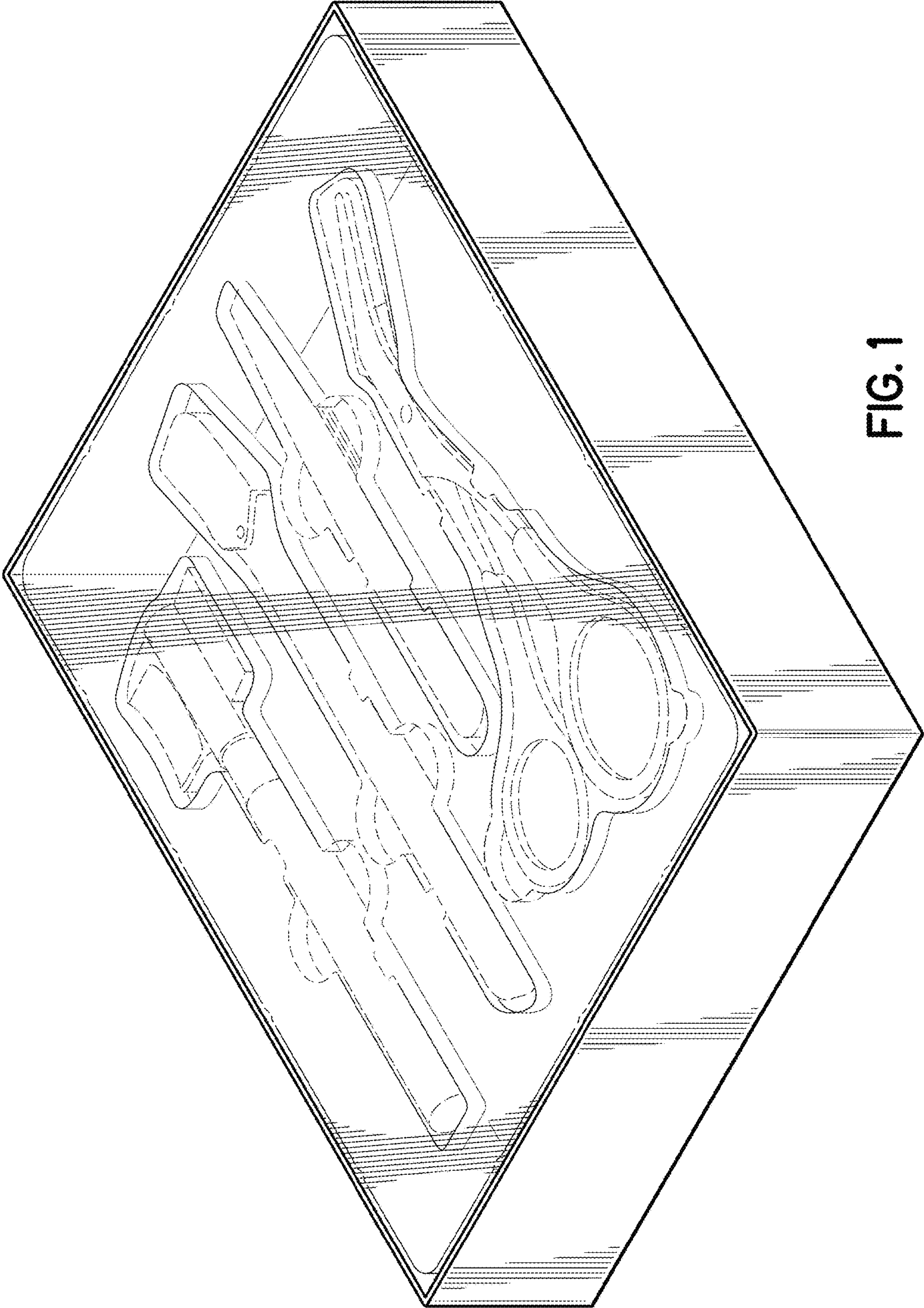


FIG. 1



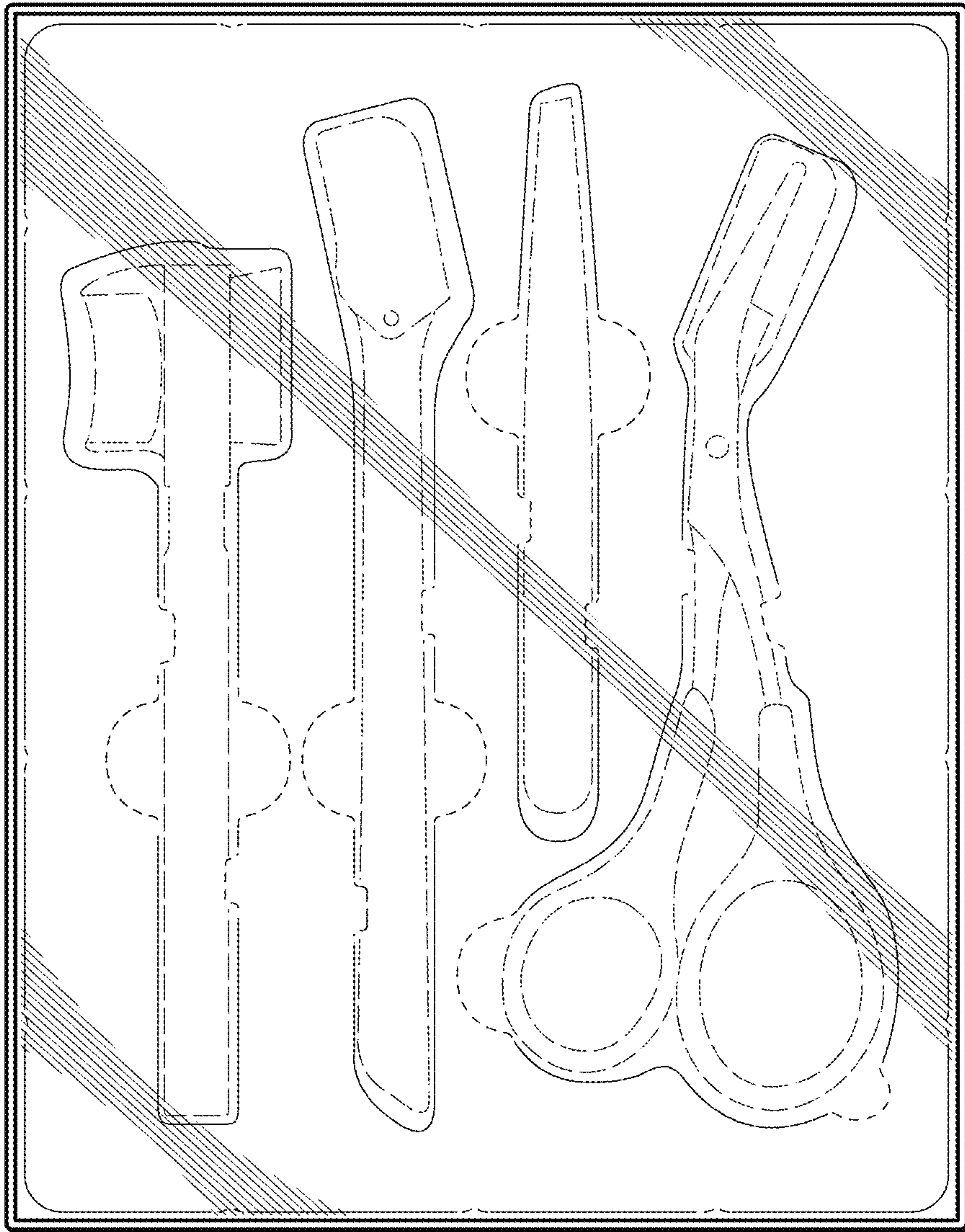


FIG. 2

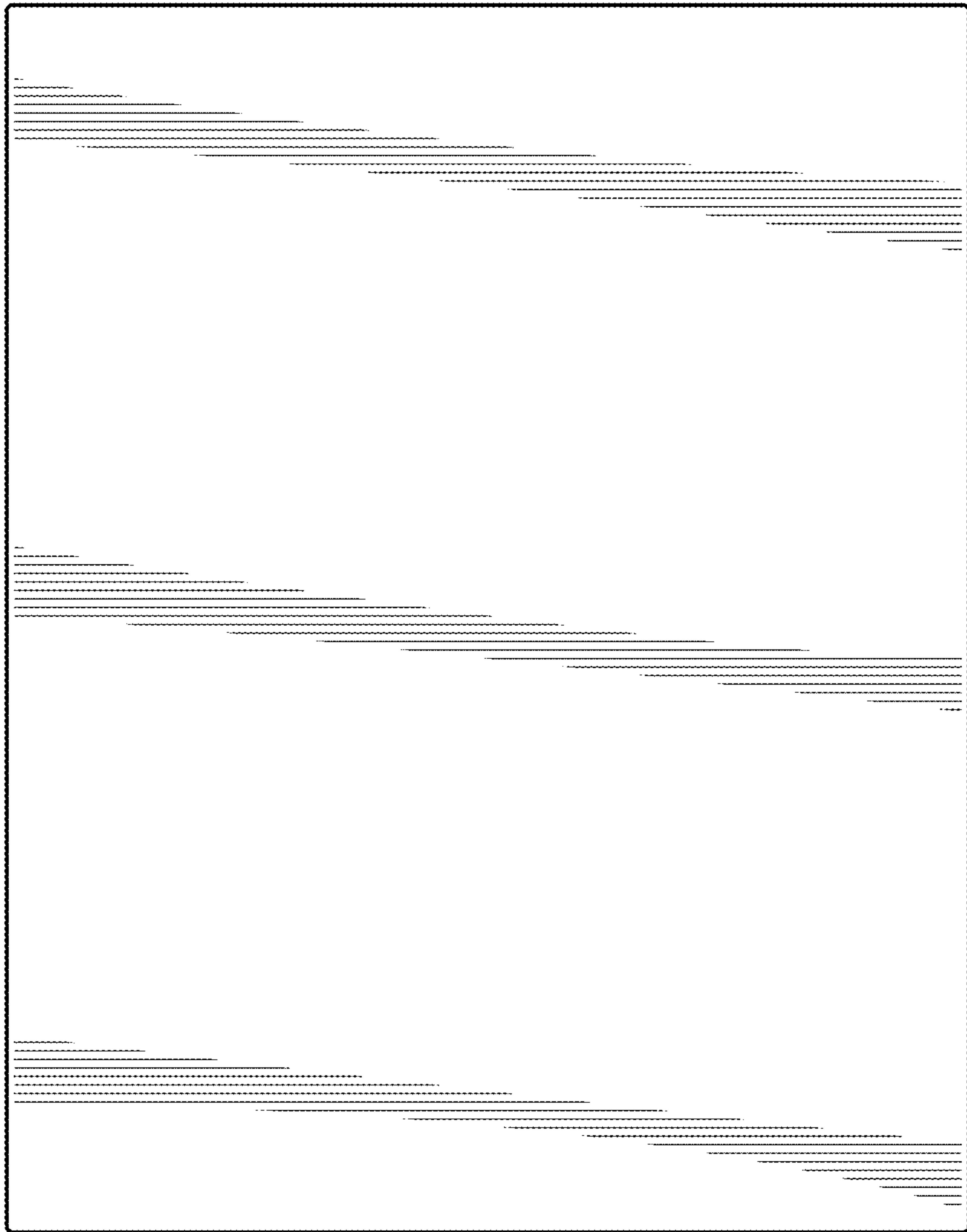


FIG. 3

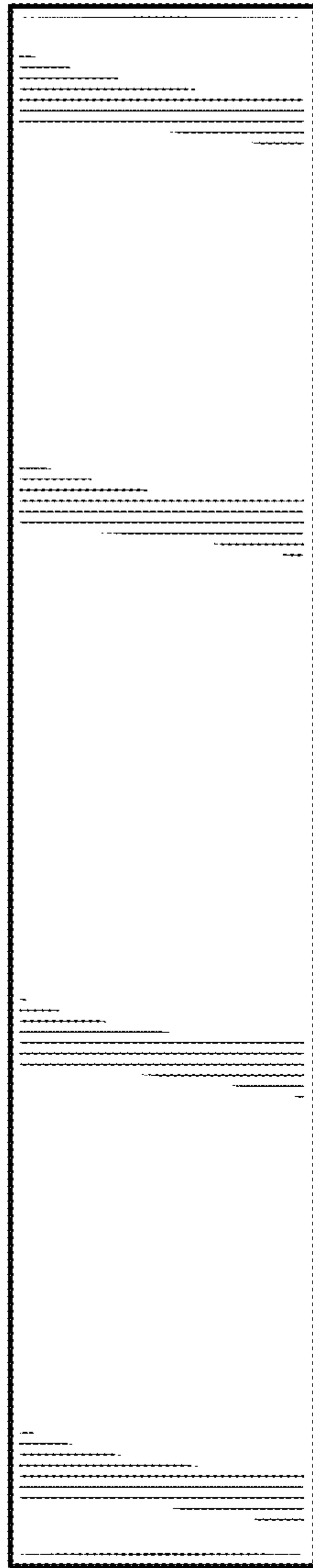


FIG. 4

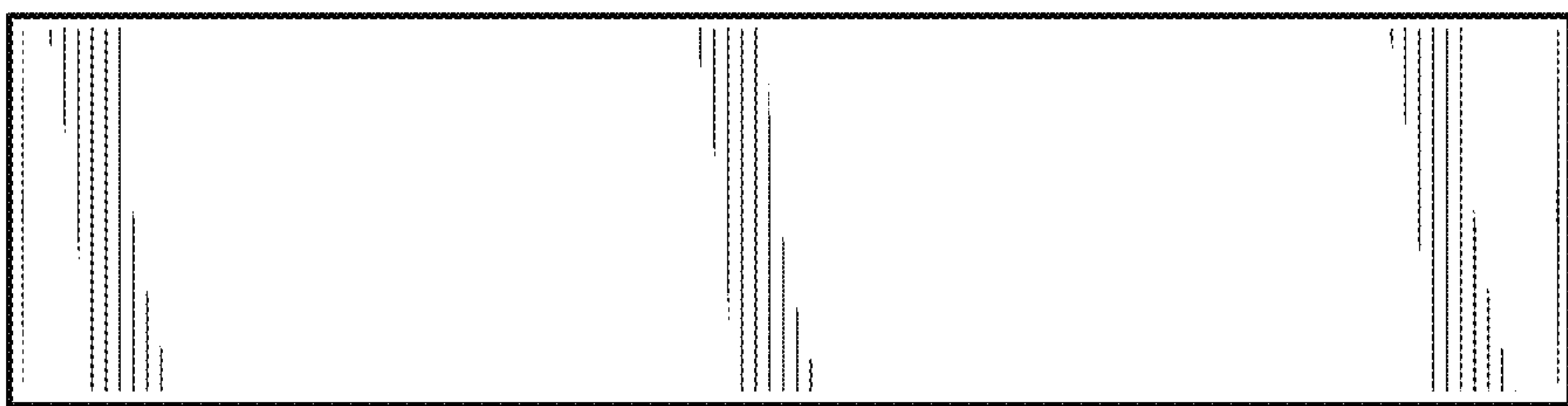


FIG. 5

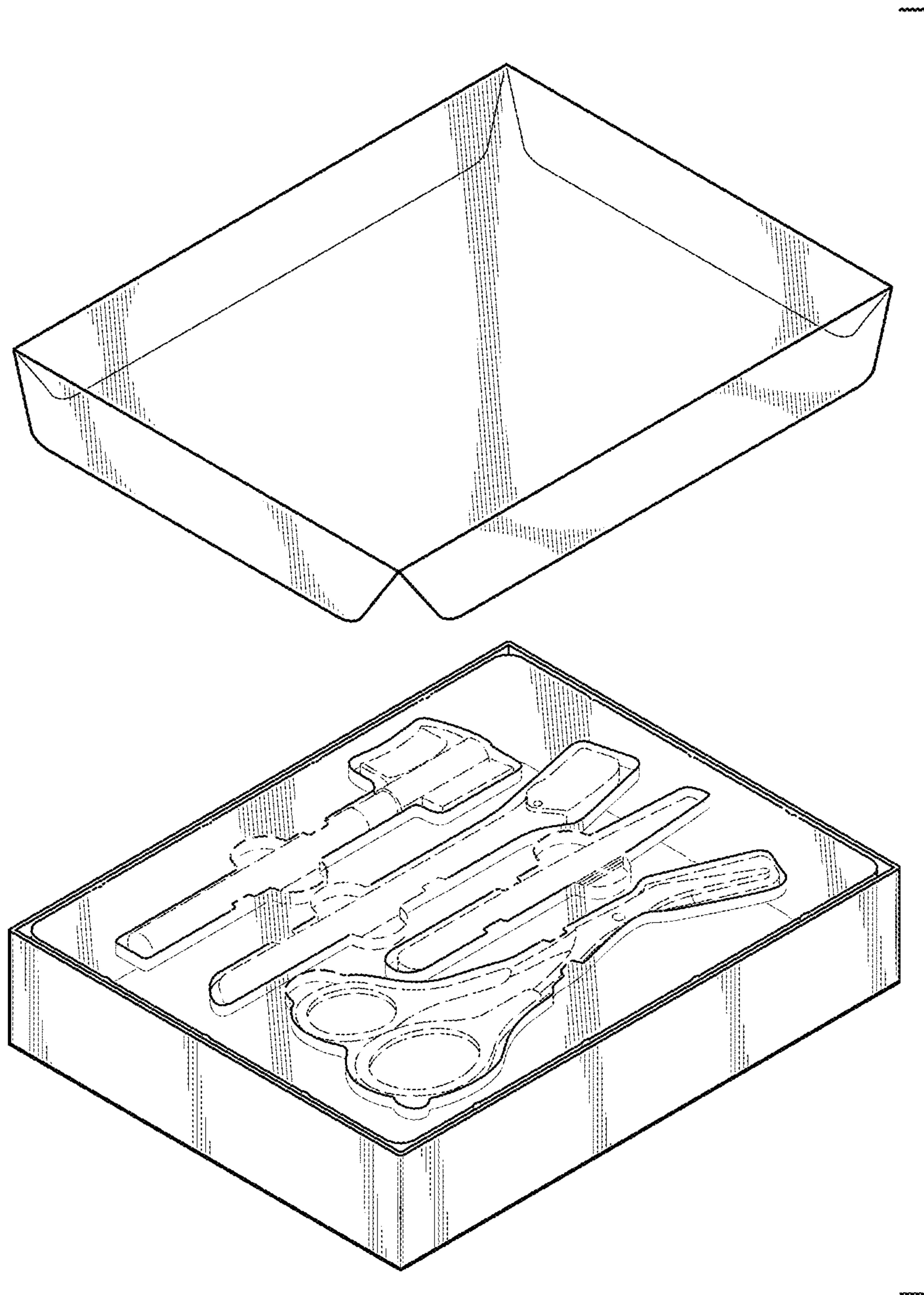


FIG. 6



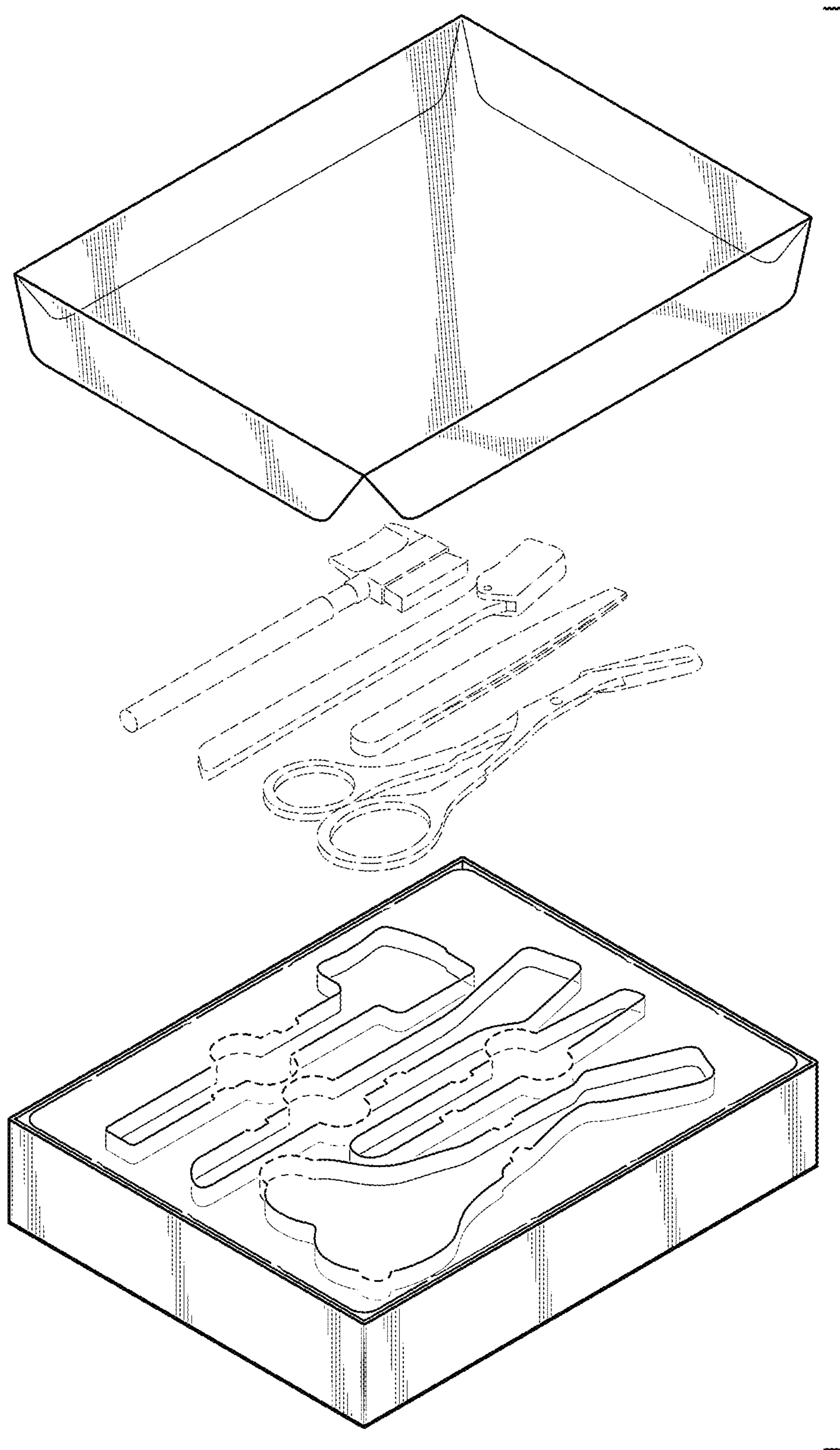


FIG. 7



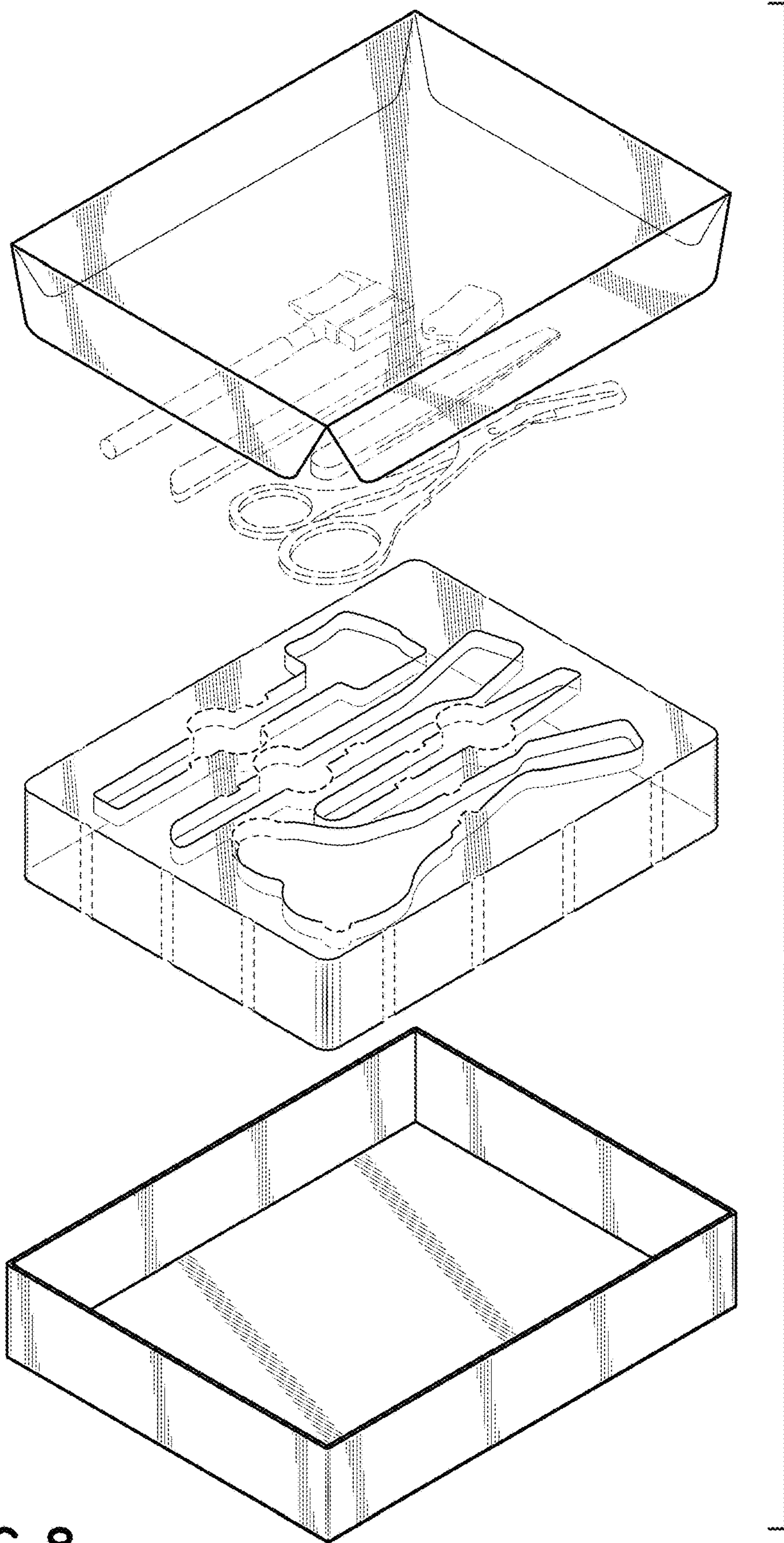


FIG. 8