

US00D940547S

(12) **United States Design Patent**
Schuknecht et al.

(10) **Patent No.: US D940,547 S**
(45) **Date of Patent: ** Jan. 11, 2022**

(54) **CLAMP**

FOREIGN PATENT DOCUMENTS

(71) Applicant: **ARRAY TECHNOLOGIES, INC.**,
Albuquerque, NM (US)

CN 304086849 * 3/2017

(72) Inventors: **Nathan Schuknecht**, Golden, CO (US);
Todd Andersen, Heber City, UT (US);
John Nagyvary, Albuquerque, NM
(US); **Jon Sharp**, Fort Collins, CO
(US)

OTHER PUBLICATIONS

Rapid Clamp press release, date Feb. 20, 2020, site visited Aug. 23,
2021, <https://arraytechinc.com/rapidclamp/>.*

(73) Assignee: **ARRAY TECHNOLOGIES, INC.**,
Albuquerque, NM (US)

Primary Examiner — John R Yeh

(74) *Attorney, Agent, or Firm* — Maschoff Brennan

(**) Term: **15 Years**

(57) **CLAIM**

The ornamental design for a clamp, as shown and described.

(21) Appl. No.: **29/717,081**

DESCRIPTION

(22) Filed: **Dec. 13, 2019**

(51) **LOC (13) Cl.** **08-08**

(52) **U.S. Cl.**
USPC **D8/394**

(58) **Field of Classification Search**
USPC D8/72–73, 367, 394–396; D23/259, 269;
D24/155; D14/230

CPC H01R 13/639; A61F 5/448; F16B 2/06;
F16B 45/02; F16L 33/06; F16L 37/00;
F16L 23/06; A44B 99/00

See application file for complete search history.

FIG. 1 is a lower perspective view of an embodiment of a clamp;

FIG. 2 is an upper perspective view of the clamp shown in FIG. 1;

FIG. 3 is a front view of the clamp shown in FIG. 1;

FIG. 4 is a rear view of the clamp shown in FIG. 1;

FIG. 5 is a left side view of the clamp shown in FIG. 1;

FIG. 6 is a right side view of the clamp shown in FIG. 1;

FIG. 7 is a top view of the clamp shown in FIG. 1;

FIG. 8 is a bottom view of the clamp shown in FIG. 1;

FIG. 9 is a lower perspective view of another embodiment of a clamp;

FIG. 10 is an upper perspective view of the clamp shown in FIG. 9;

FIG. 11 is a front view of the clamp shown in FIG. 9;

FIG. 12 is a rear view of the clamp shown in FIG. 9;

FIG. 13 is a left side view of the clamp shown in FIG. 9;

FIG. 14 is a right side view of the clamp shown in FIG. 9;

FIG. 15 is a top view of the clamp shown in FIG. 9; and,

FIG. 16 is a bottom view of the clamp shown in FIG. 9.

The broken lines in the figures are for illustrative purposes only and form no part of the claimed design.

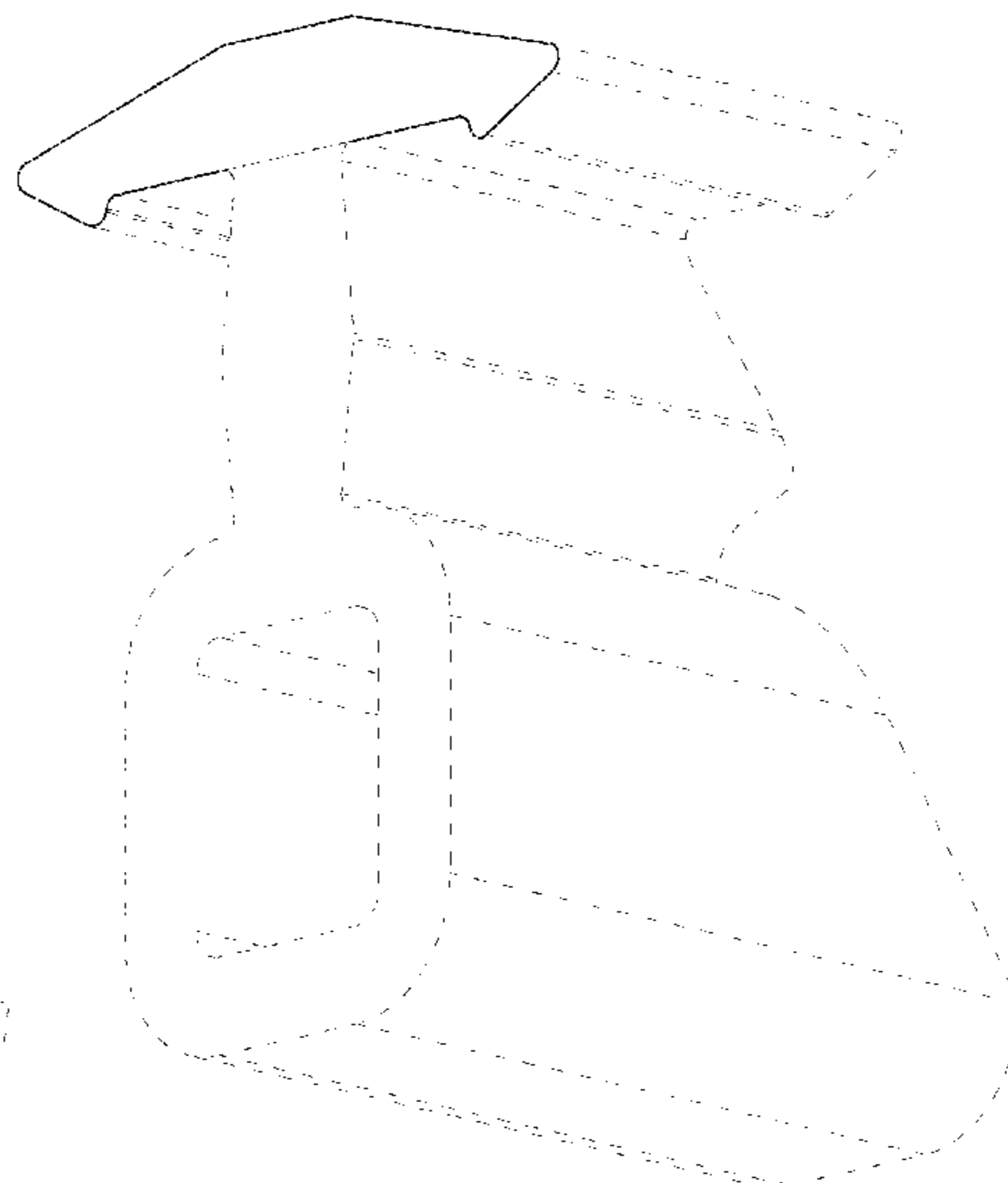
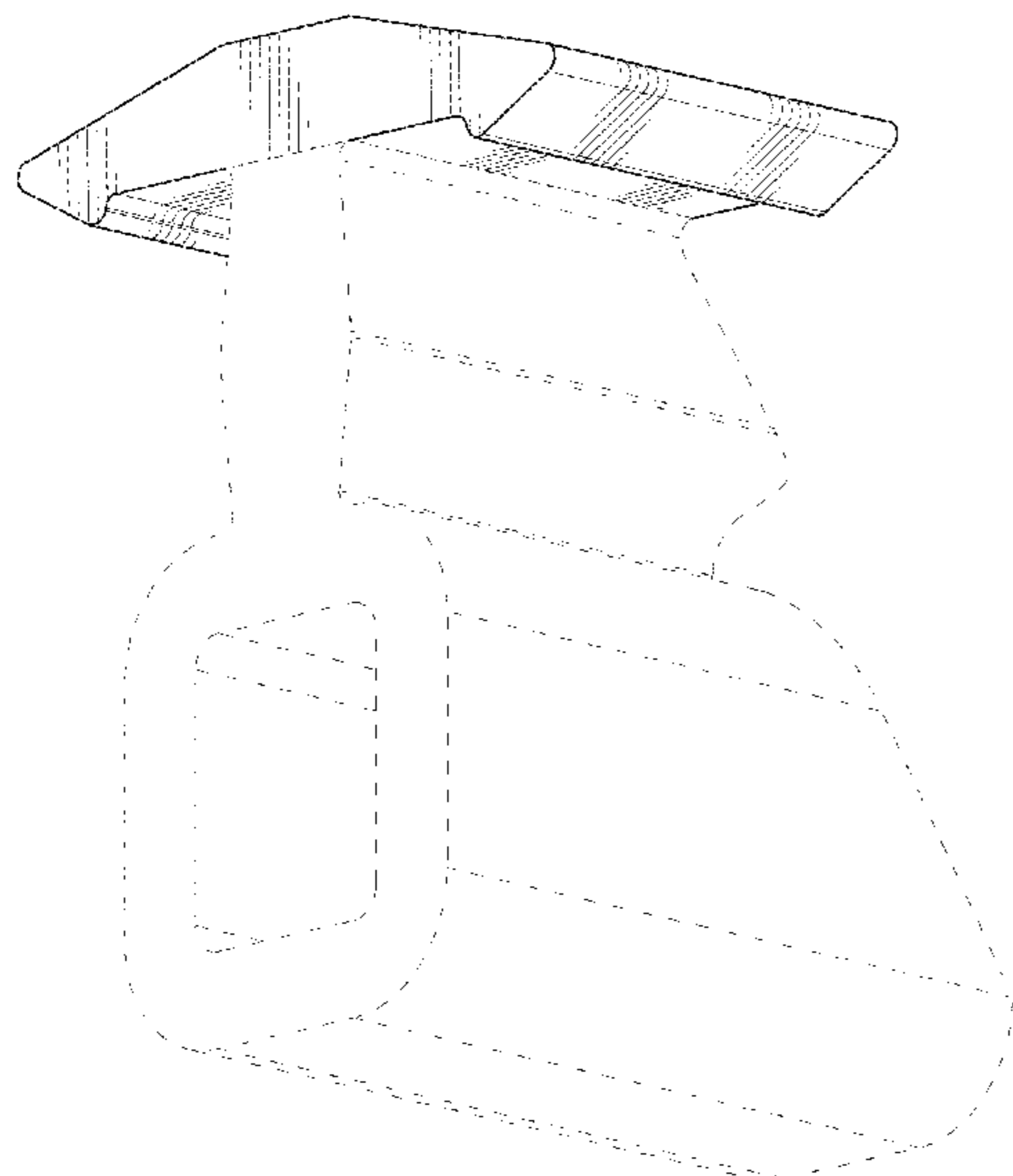
(56) **References Cited**

U.S. PATENT DOCUMENTS

D291,061 S *	7/1987	Nakatani	D8/396
D420,569 S *	2/2000	Evans	D8/382
D432,404 S *	10/2000	Garfinkle	D8/395
D560,482 S *	1/2008	Casteel	D8/395
7,763,835 B2 *	7/2010	Romeo	H02S 20/32 250/203.4
8,459,249 B2	6/2013	Corio		
D697,059 S *	1/2014	Miller	D19/88
9,276,521 B2	3/2016	Reed et al.		
9,281,778 B2	3/2016	Corio et al.		

(Continued)

1 Claim, 16 Drawing Sheets



(56)

References Cited

U.S. PATENT DOCUMENTS

9,456,665	B2 *	10/2016	Stubblefield	G09F 23/00
9,581,678	B2	2/2017	Corio	
9,631,840	B2	4/2017	Corio	
D826,023	S *	8/2018	Chun	D8/72
10,042,030	B2	8/2018	Corio	
D827,405	S *	9/2018	Chun	D8/72
10,069,455	B2	9/2018	Corio et al.	
10,536,109	B2	1/2020	Corio	
10,686,401	B2 *	6/2020	Ash	H01R 4/305
10,771,007	B2	9/2020	Corio	
10,809,345	B2	10/2020	Corio	
10,992,251	B2 *	4/2021	Zuritis	F16B 2/065
2002/0134742	A1 *	9/2002	Huang	F16M 13/027
				211/17
2008/0250614	A1 *	10/2008	Zante	F16B 5/0657
				24/542
2009/0166494	A1 *	7/2009	Bartelt-Muszynski	
				H02S 20/23
				248/237
2010/0089389	A1	4/2010	Seery et al.	
2011/0179606	A1 *	7/2011	Magno, Jr.	F24S 25/636
				24/457
2014/0007385	A1 *	1/2014	Rigollet	F16L 23/08
				24/280
2014/0090242	A1 *	4/2014	Barna	H01R 43/16
				29/825
2015/0200621	A1	7/2015	Reed et al.	
2017/0237386	A1 *	8/2017	Stephan	F16B 5/0028
				248/316.6

* cited by examiner

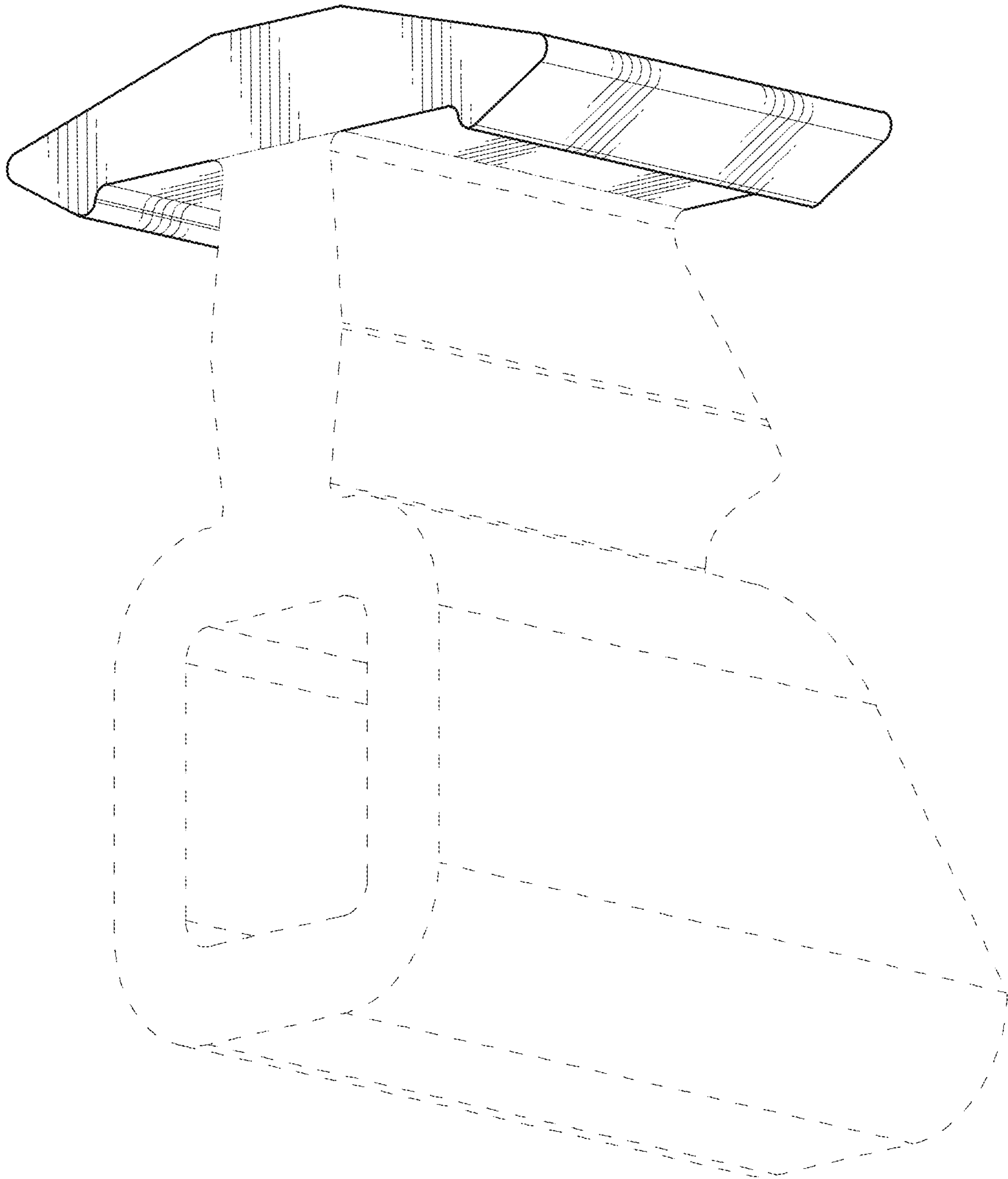


FIG. 1

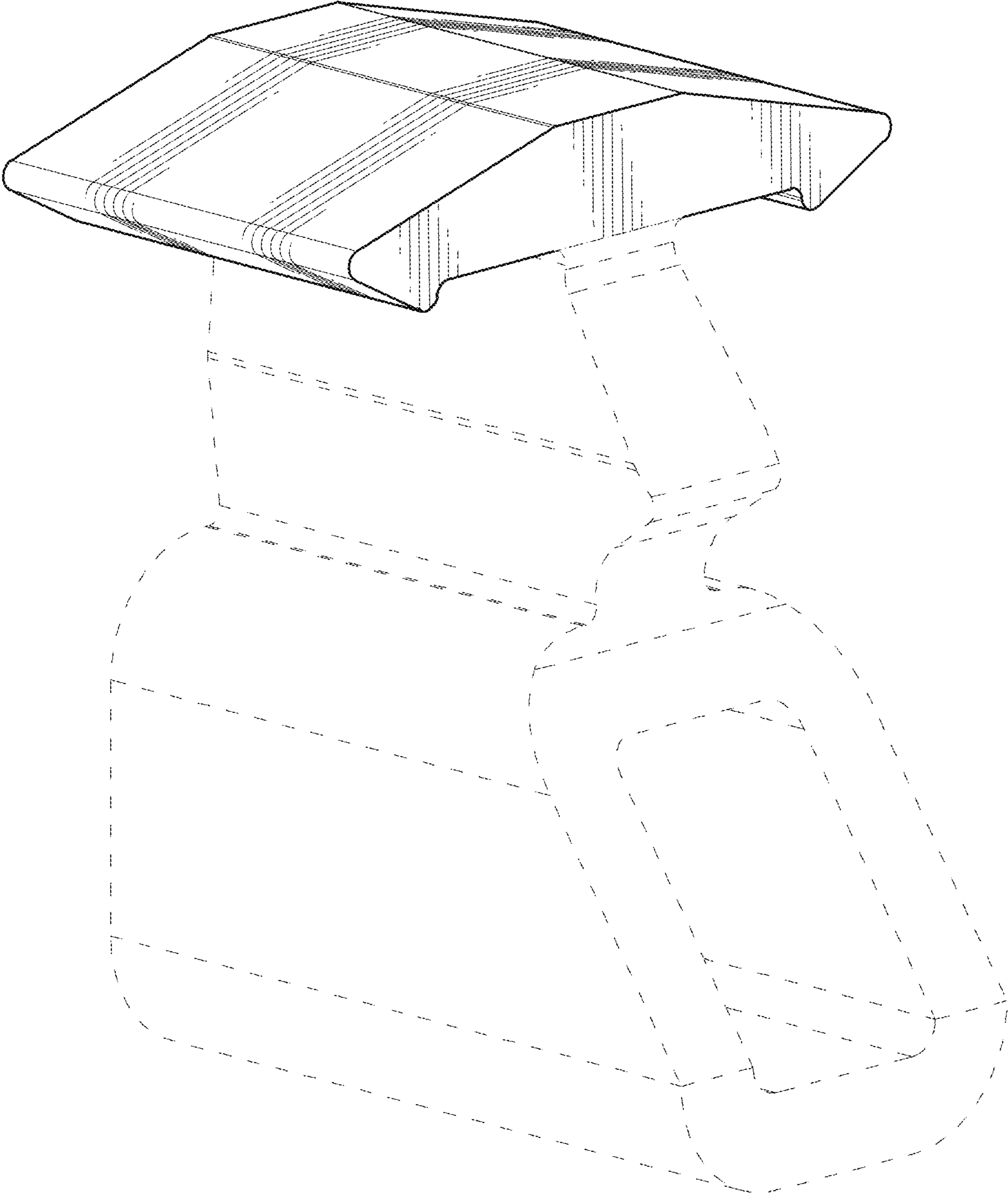


FIG. 2

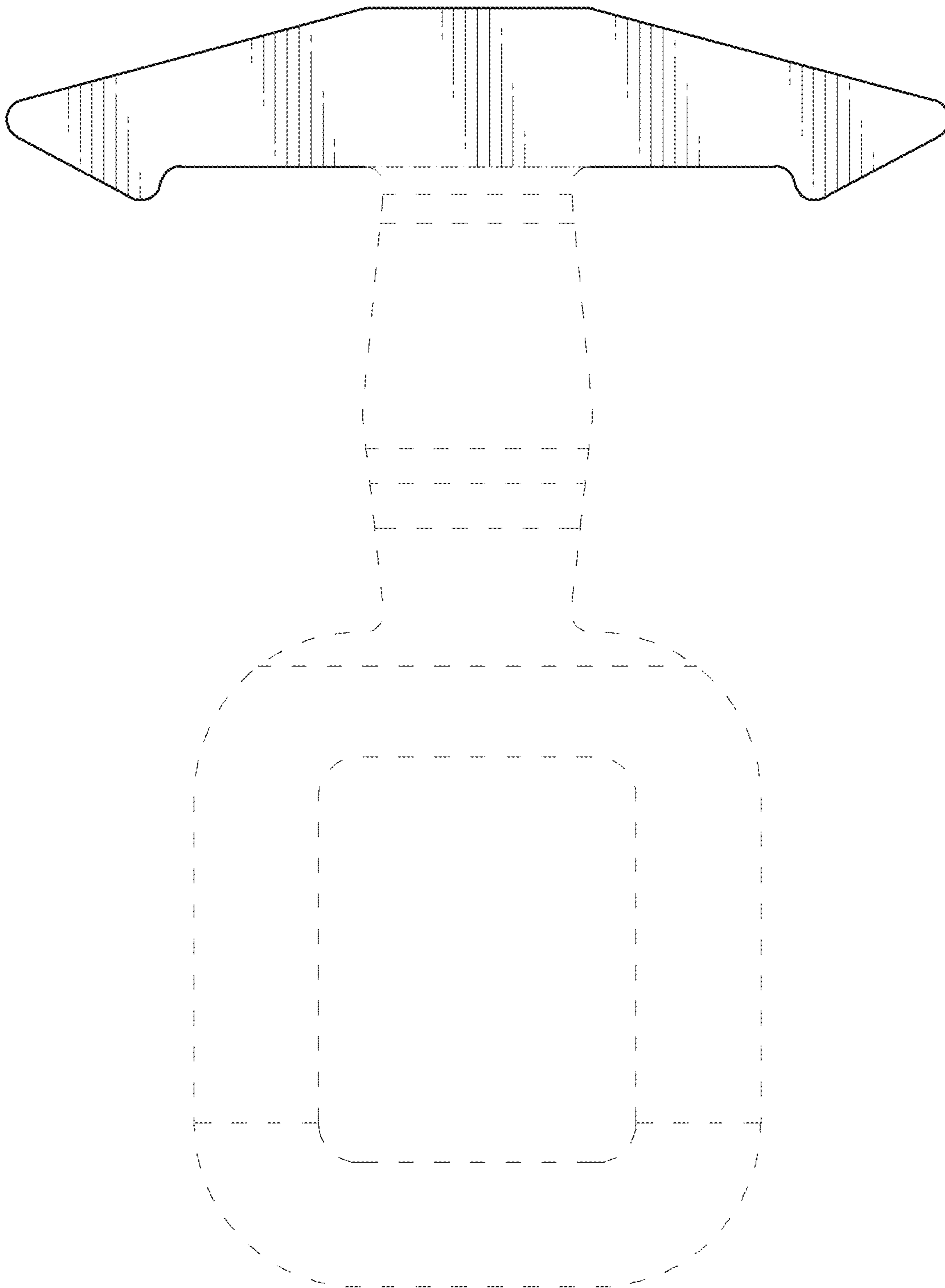


FIG. 3

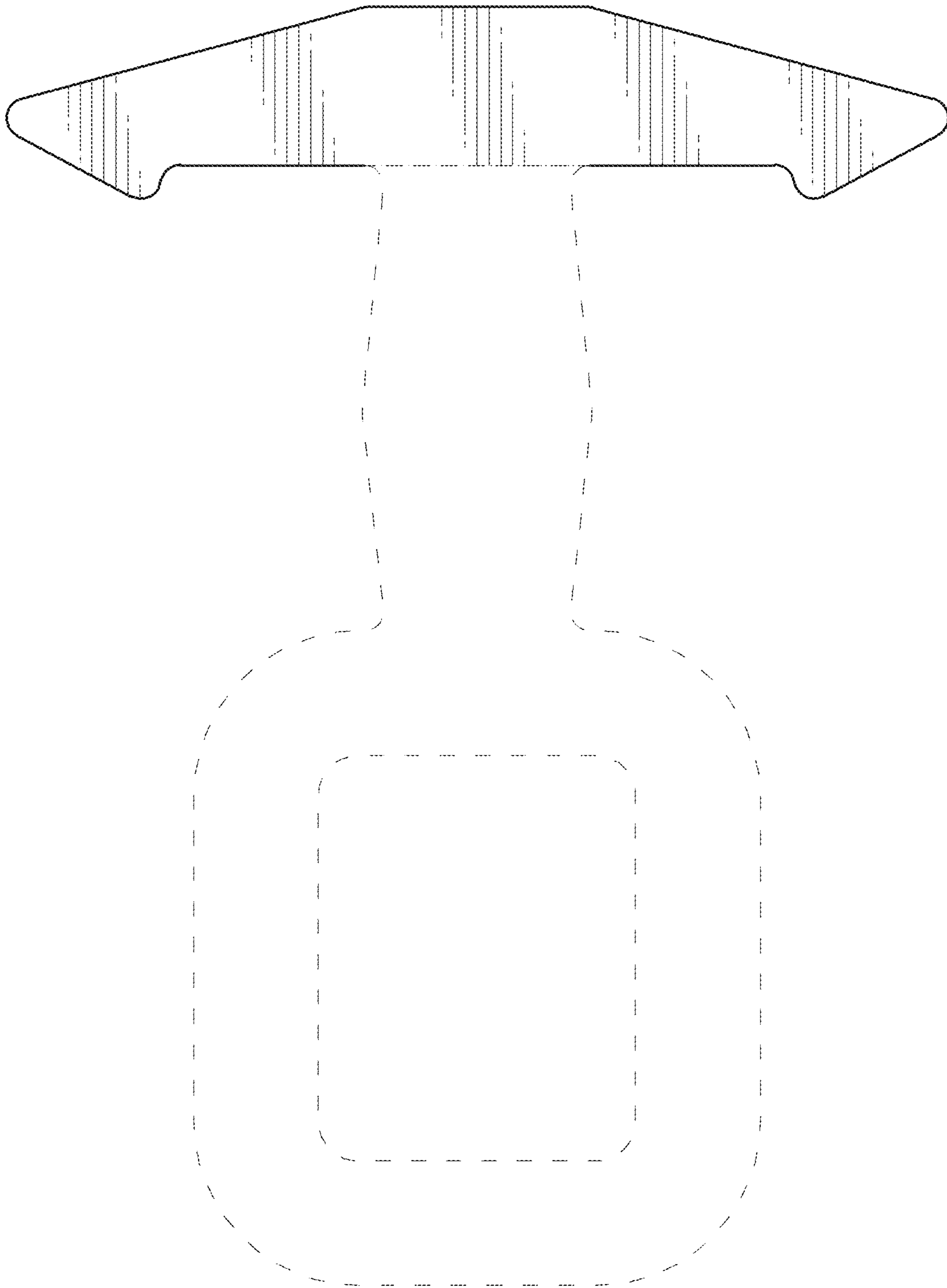


FIG. 4

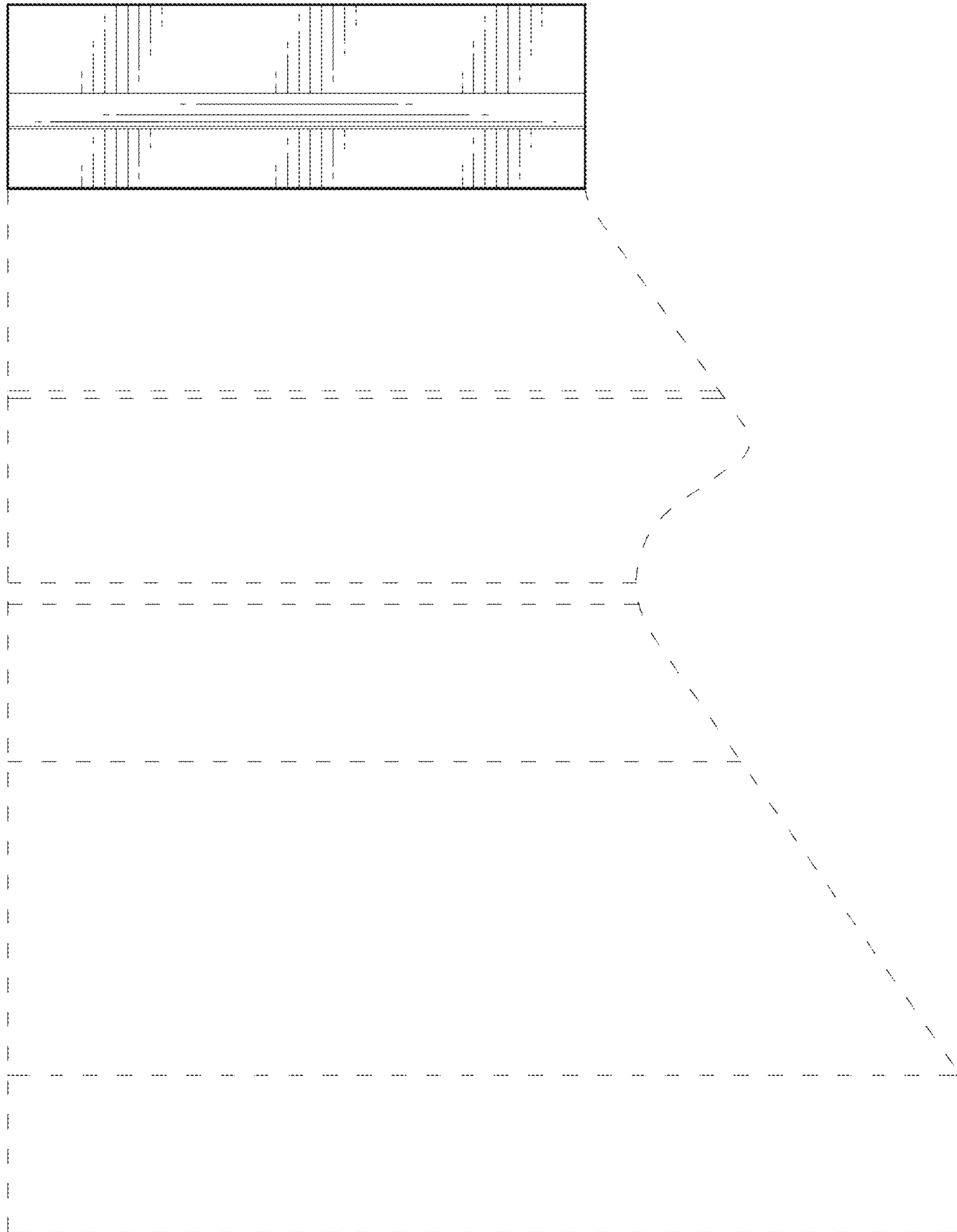


FIG. 5

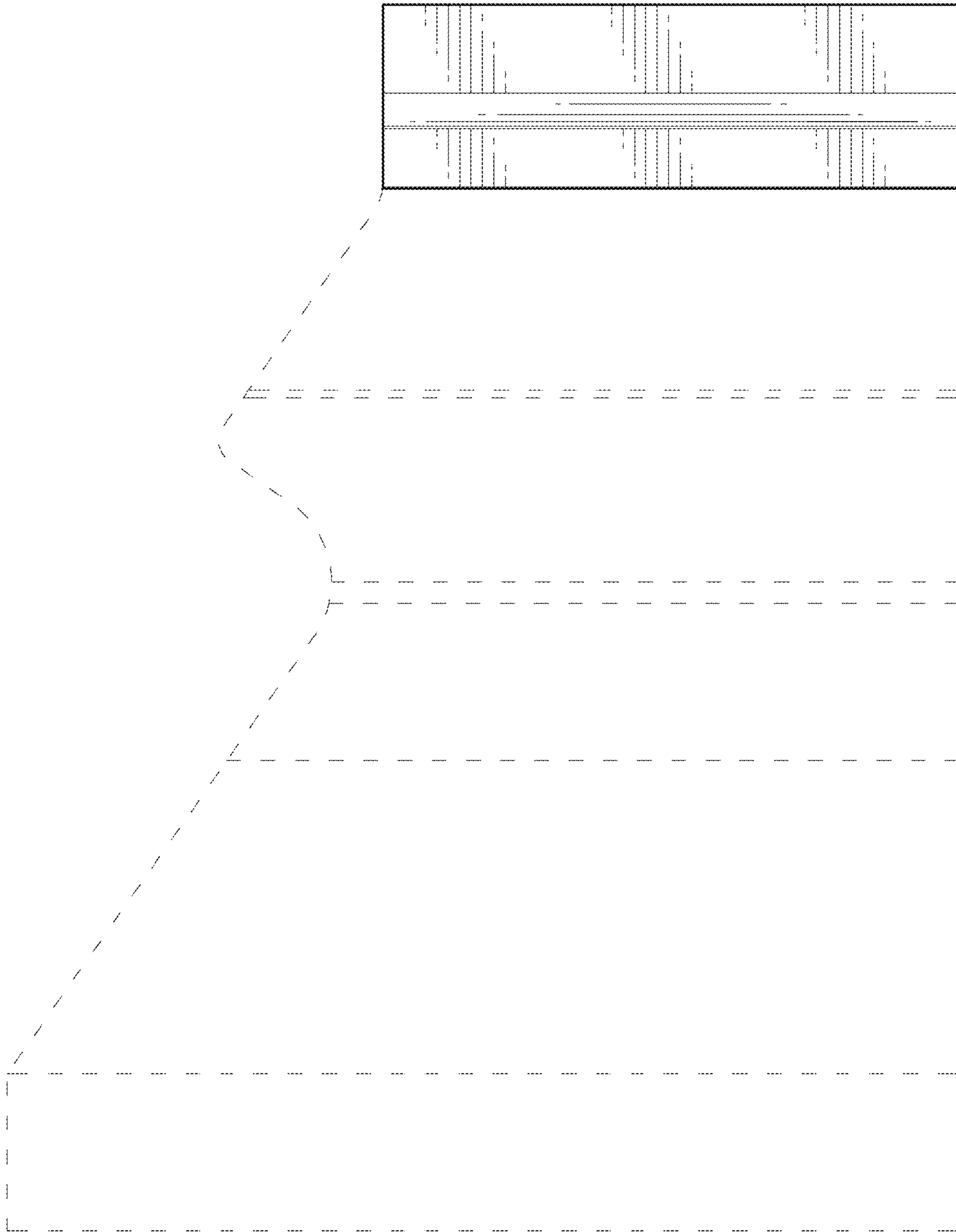


FIG. 6

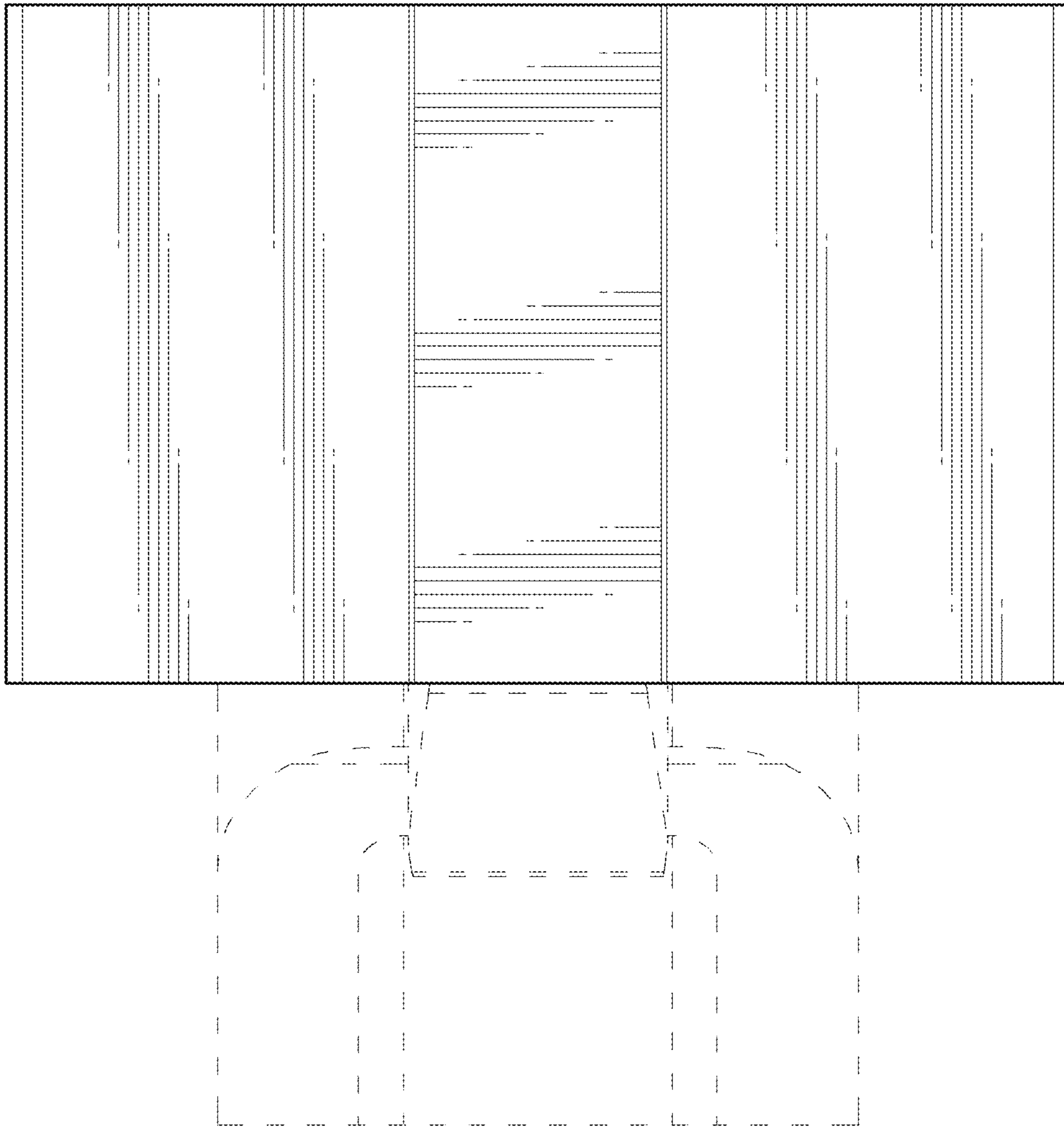


FIG. 7

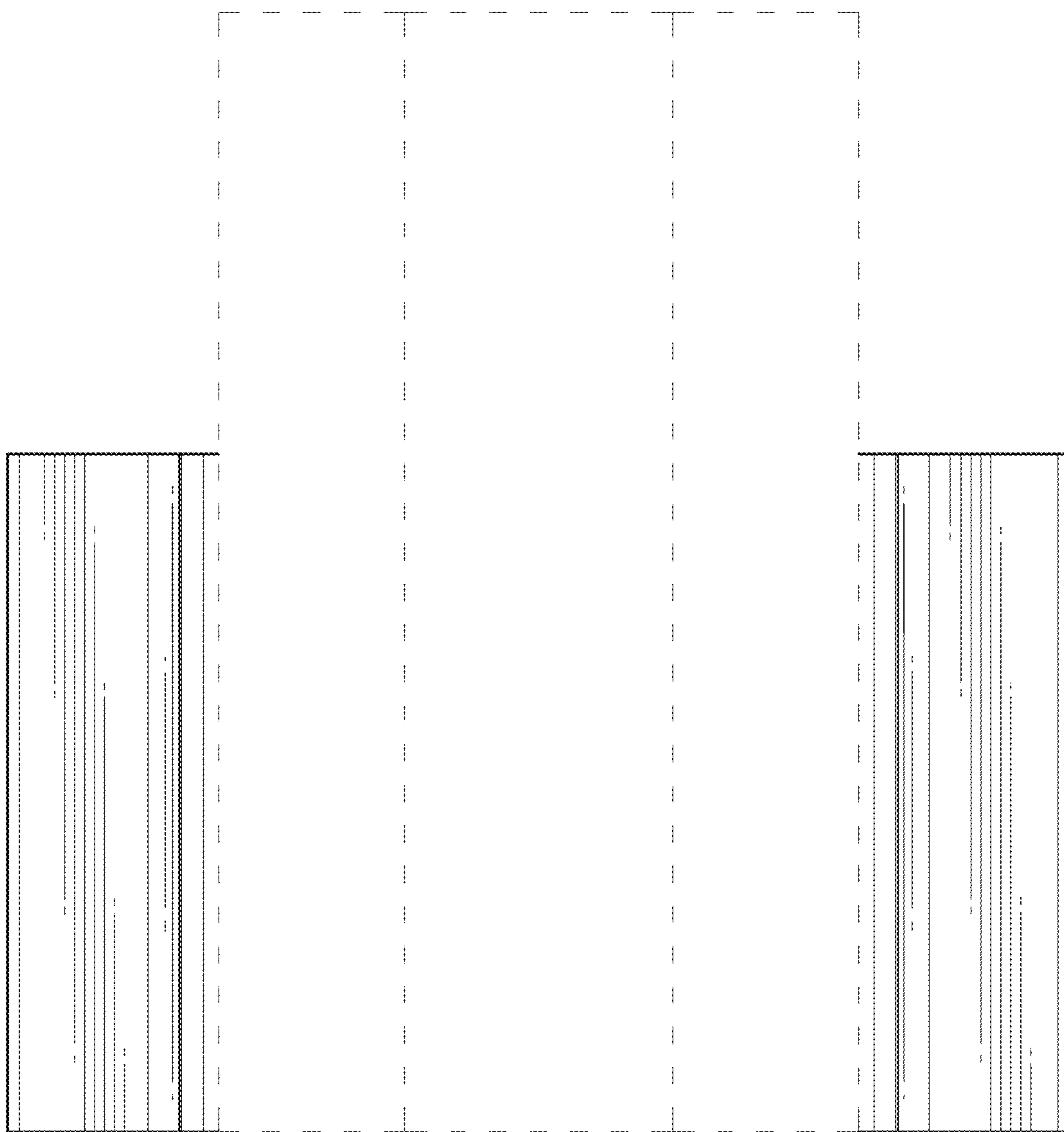


FIG. 8

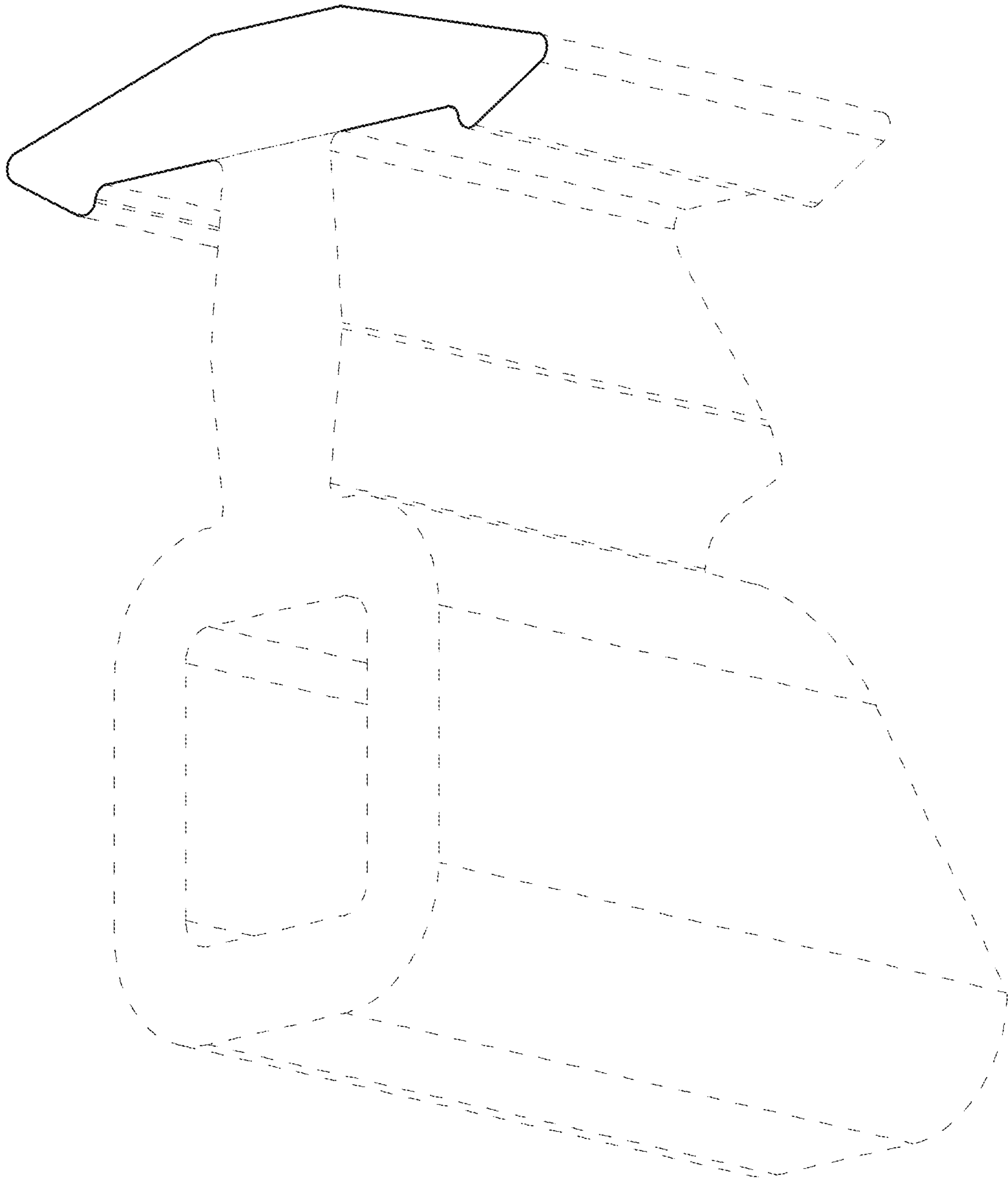


FIG. 9

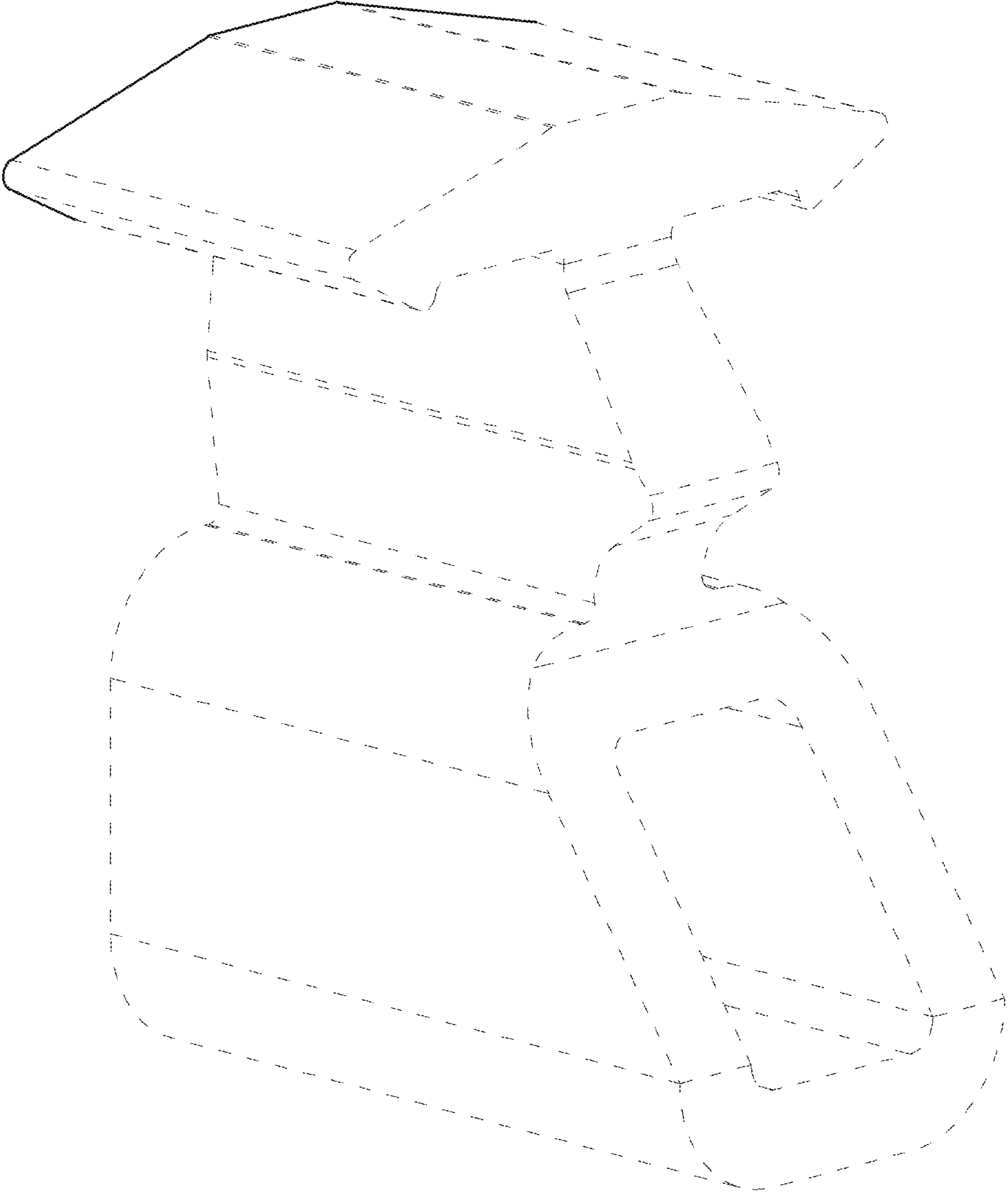


FIG. 10

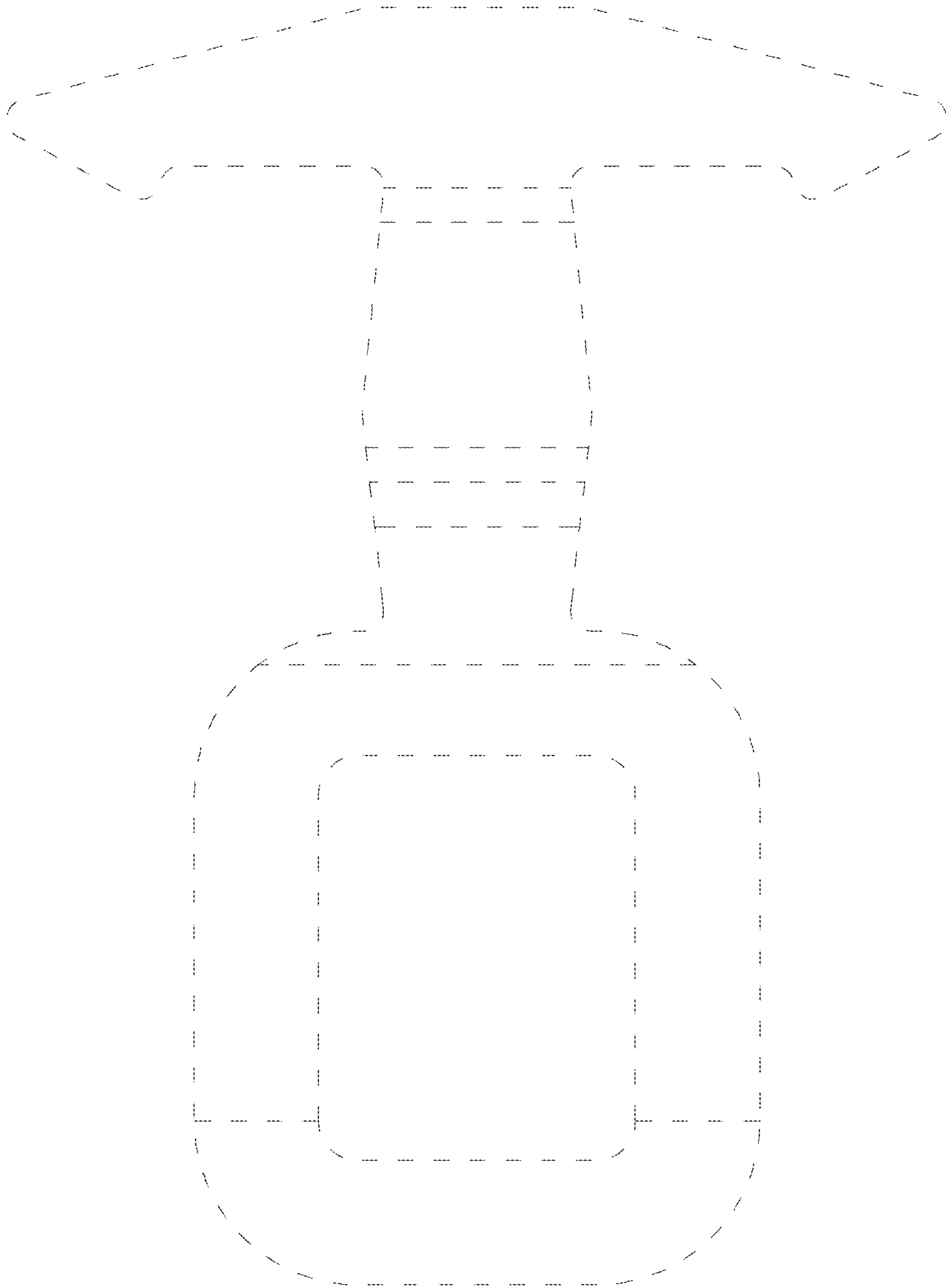


FIG. 11

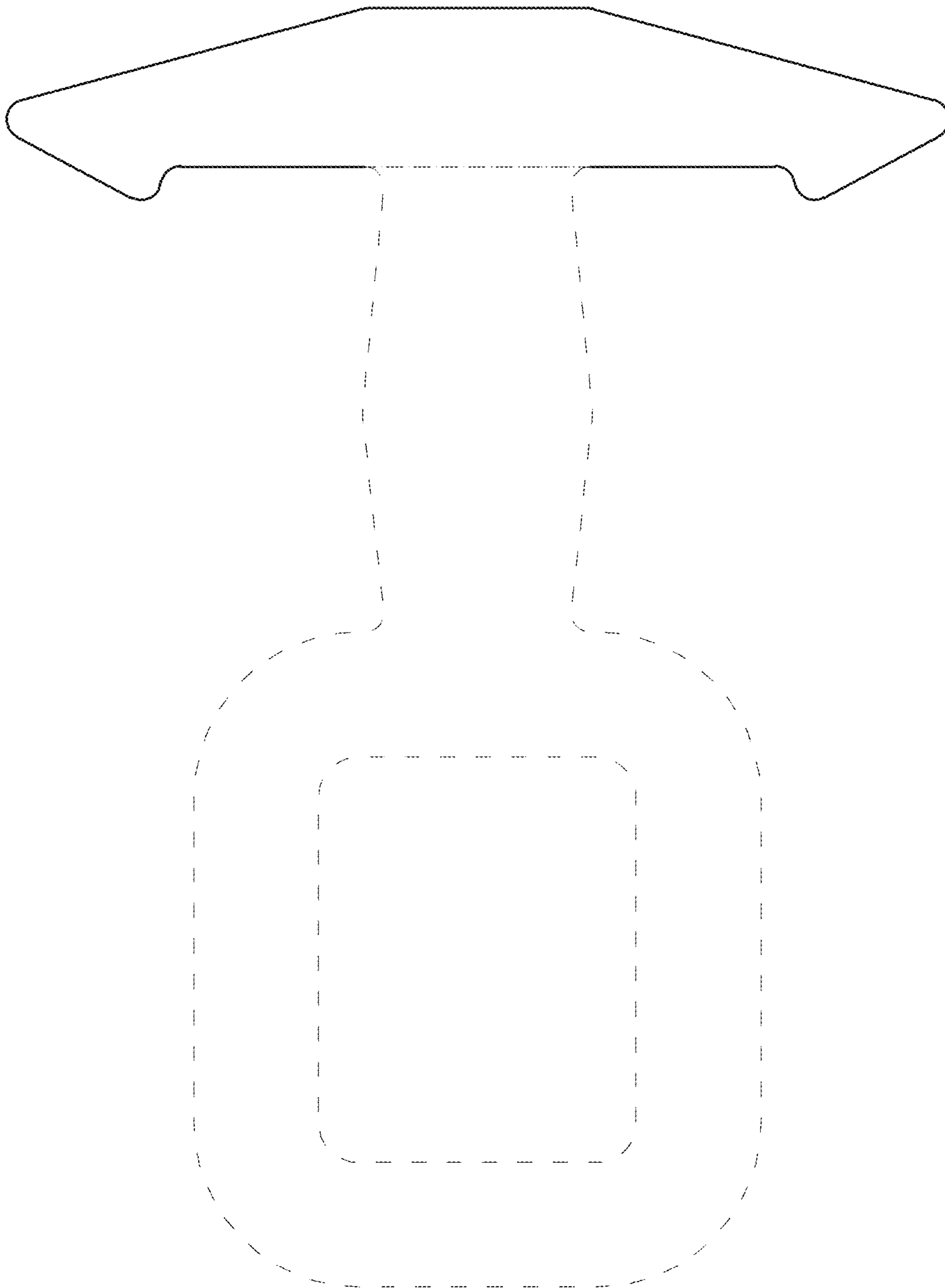


FIG. 12

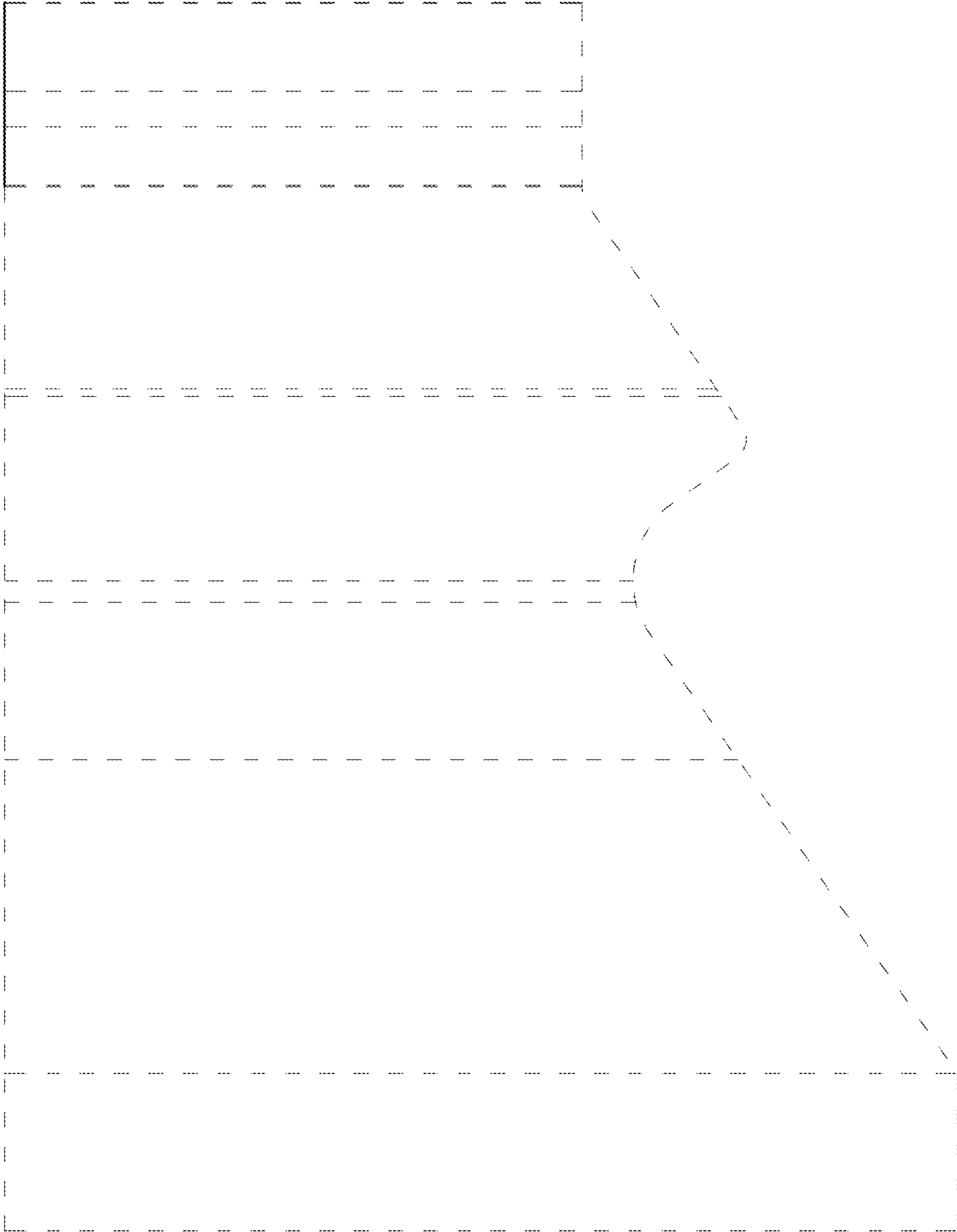


FIG. 13

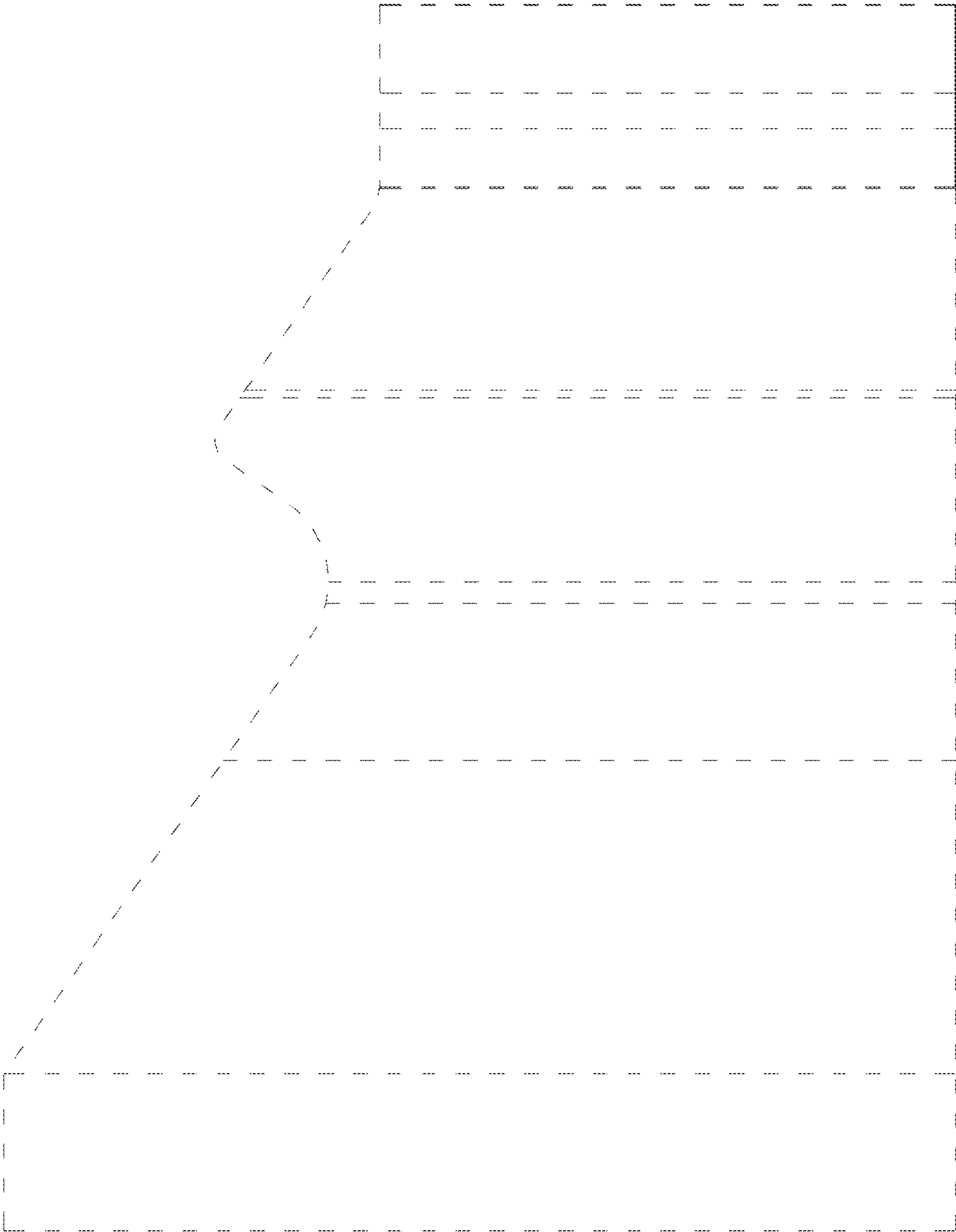


FIG. 14

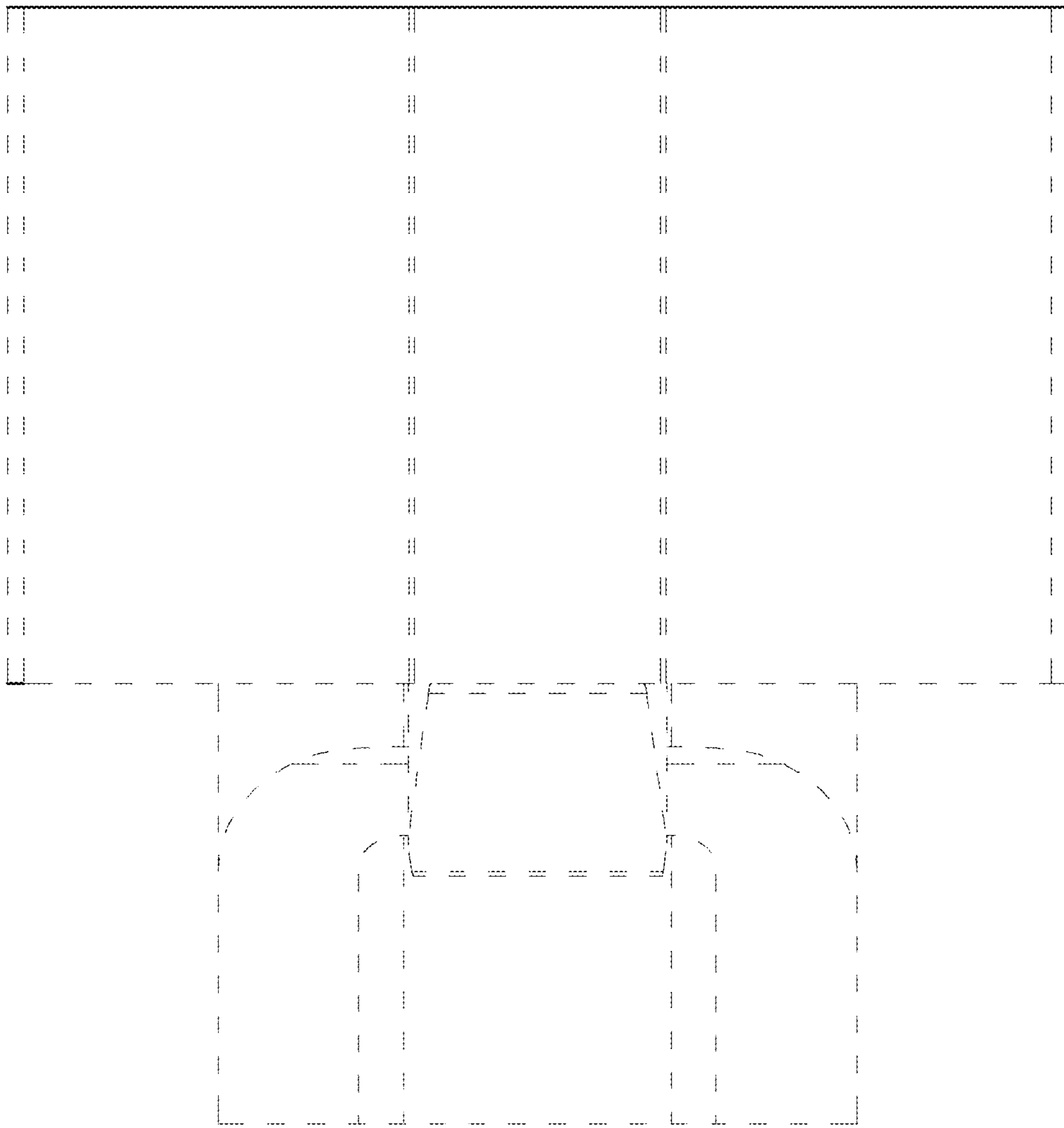


FIG. 15

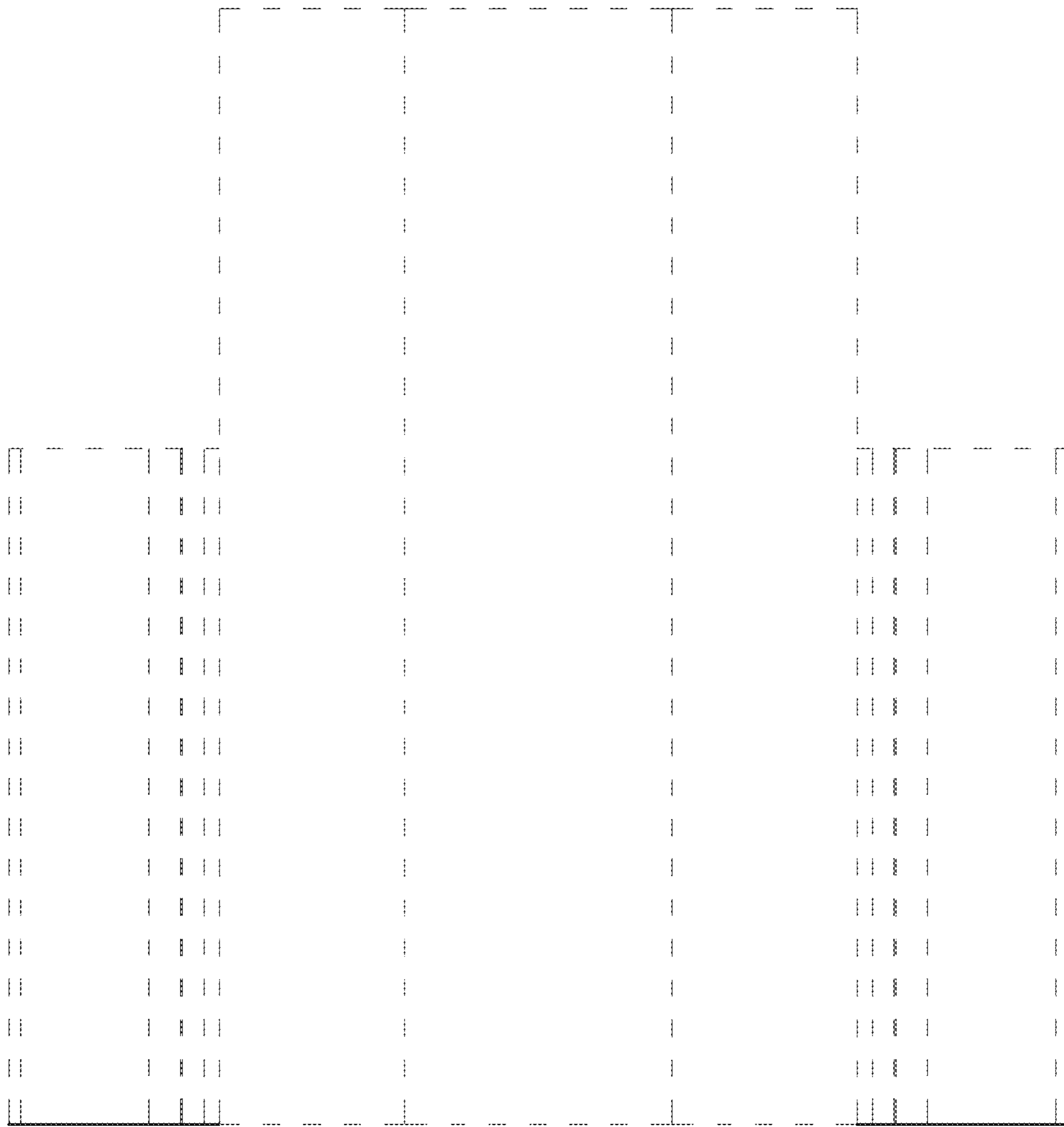


FIG. 16