



US00D940544S

(12) **United States Design Patent** (10) **Patent No.:** **US D940,544 S**
Seader (45) **Date of Patent:** **** Jan. 11, 2022**

(54) **HOOK**
(71) Applicant: **Nite Ize, Inc.**, Boulder, CO (US)
(72) Inventor: **Rex Seader**, Denver, CO (US)
(**) Term: **15 Years**
(21) Appl. No.: **29/696,307**

D757,527 S * 5/2016 Rawls-Meehan F16B 45/00
D8/370
D872,565 S * 1/2020 Hendrickson D8/356
2016/0044905 A1 * 2/2016 Baskett A01K 91/04
43/43.16
2017/0211221 A1 * 7/2017 Uros D06F 39/14
2017/0219004 A1 * 8/2017 Weishaar F16B 45/00
2018/0187713 A1 * 7/2018 Chmelar F16B 45/06
2019/0101152 A1 * 4/2019 Turbenson F16B 2/248
2021/0155375 A1 * 5/2021 Chu B65D 23/003

(22) Filed: **Jun. 26, 2019**
(51) **LOC (13) Cl.** **08-05**
(52) **U.S. Cl.**
USPC **D8/370**
(58) **Field of Classification Search**
USPC D8/370, 367; D24/176; D32/54;
D11/202, 206–207, 212, 231; D21/400
CPC A45F 2005/008; A45F 5/00; A45F 5/102;
A47B 63/00; B42F 15/0035; B42F
15/0064
See application file for complete search history.

OTHER PUBLICATIONS

Hysagtek 10 X 8mm Plastic-Coated Bungee, Date Visited: Jun. 16, 2021, Amazon, Date Available: Jun. 30, 2017, <https://www.amazon.com/Hysagtek-Plastic-coated-Bungee-Elastic-Strapping/dp/B073JCKZGK> (Year: 2017).*
How to Make a Spiral Hook, Date Visited: Jun. 16, 2021, Fire Mountain Gems, Date Available: Jun. 16, 2021, <https://www.firemountaingems.com/resources/tutorials/a92n> (Year: 2021).*

(Continued)

Primary Examiner — Susan Bennett Hattan
Assistant Examiner — Elizabeth S Ko
(74) *Attorney, Agent, or Firm* — Haynes and Boone LLP

(56) **References Cited**

U.S. PATENT DOCUMENTS

3,716,985 A * 2/1973 Meister F16G 11/12
24/68 F
D323,104 S * 1/1992 Russell D8/370
D357,402 S * 4/1995 Roethler D8/367
D387,165 S * 12/1997 Chikami D24/176
D555,461 S * 11/2007 Tincher D8/370
D561,007 S * 2/2008 Kaesler D8/354
D561,011 S * 2/2008 Van Handel D8/367
D568,145 S * 5/2008 Handel D8/370
D629,291 S * 12/2010 Veilleux F16G 11/12
D8/370
D701,752 S * 4/2014 Lozano D8/370
D703,517 S * 4/2014 Stromberg D8/370
D742,996 S * 11/2015 Trice D22/144
D752,958 S * 4/2016 Giordano D8/367

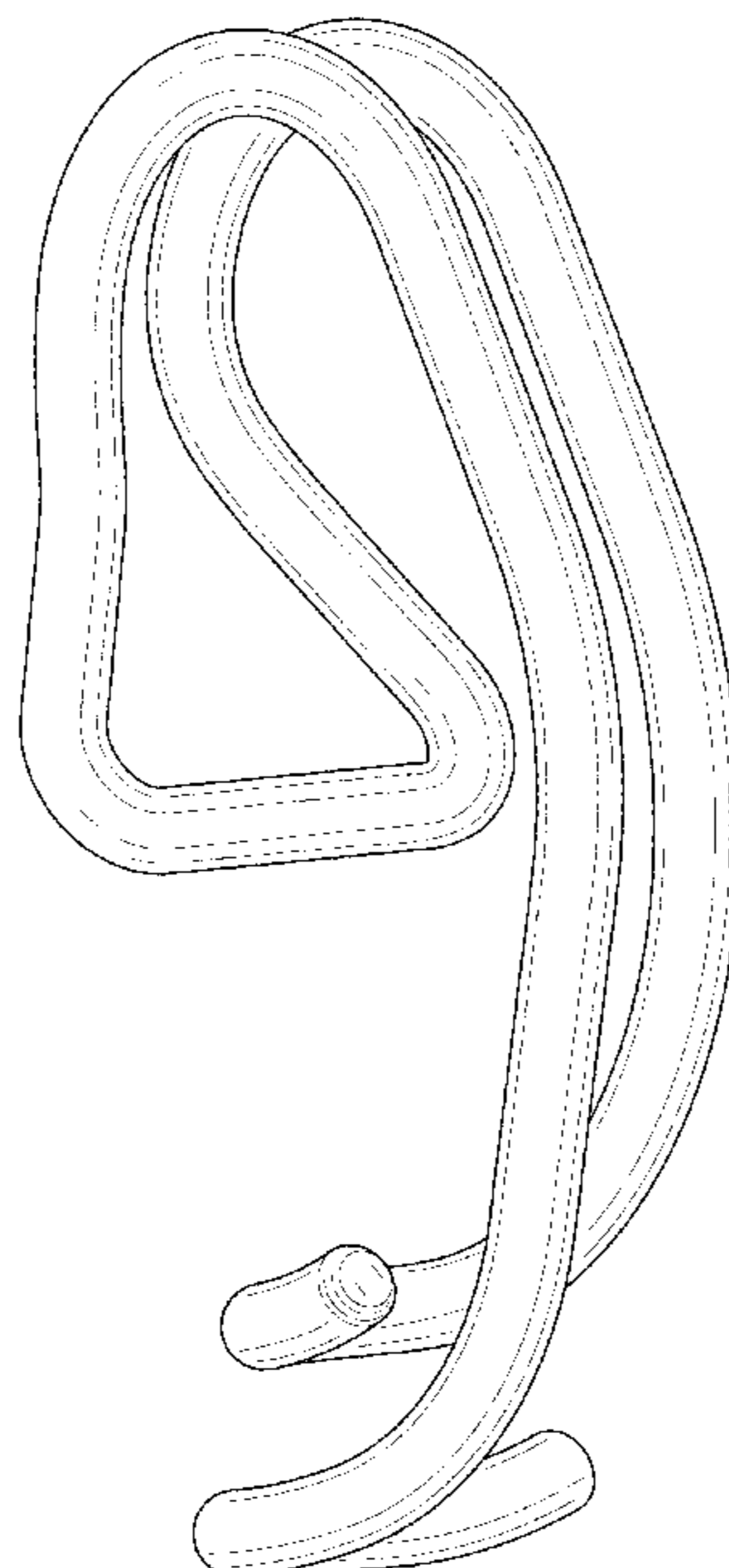
(57) **CLAIM**

The ornamental design for the hook, as shown and described.

DESCRIPTION

FIG. 1 shows a front perspective view of a hook;
FIG. 2 shows a rear view of the hook of FIG. 1;
FIG. 3 shows a front view of the hook of FIG. 1;
FIG. 4 shows a left side view of the hook of FIG. 1;
FIG. 5 shows a right side view of the hook of FIG. 1;
FIG. 6 shows a top view of the hook of FIG. 1; and,
FIG. 7 shows a bottom view of the hook of FIG. 1.

1 Claim, 7 Drawing Sheets



(56)

References Cited

OTHER PUBLICATIONS

Making clasps _ Wire work jewelry, Wire jewelry, Diy wire jewelry,
Date Visited: Jun. 16, 2021, Pinterest, Date Available: Jun. 16, 2021,
<https://www.pinterest.com/pin/91197961174530861/> (Year: 2021).*
Hook Clasp Wire Wrapping Tutorial, Date Visited: Jun. 16, 2021,
All Free Jewelry Making, Date Available: Nov. 6, 2014, [https://
www.allfreejewelrymaking.com/Jewelry-Basics/Hook-Clasp-Wire-
Wrapping-Tutorial](https://www.allfreejewelrymaking.com/Jewelry-Basics/Hook-Clasp-Wire-Wrapping-Tutorial) (Year: 2014).*

* cited by examiner

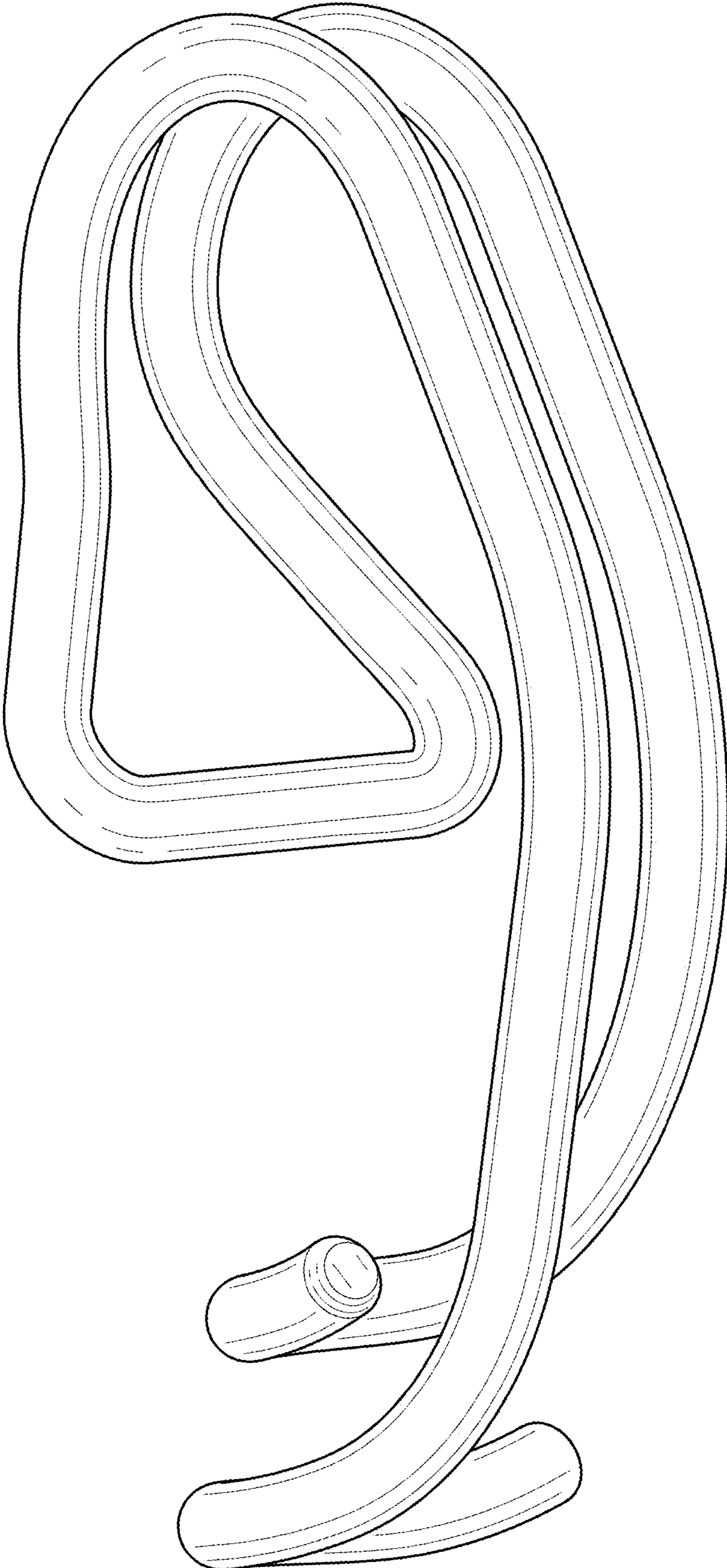


FIG. 1

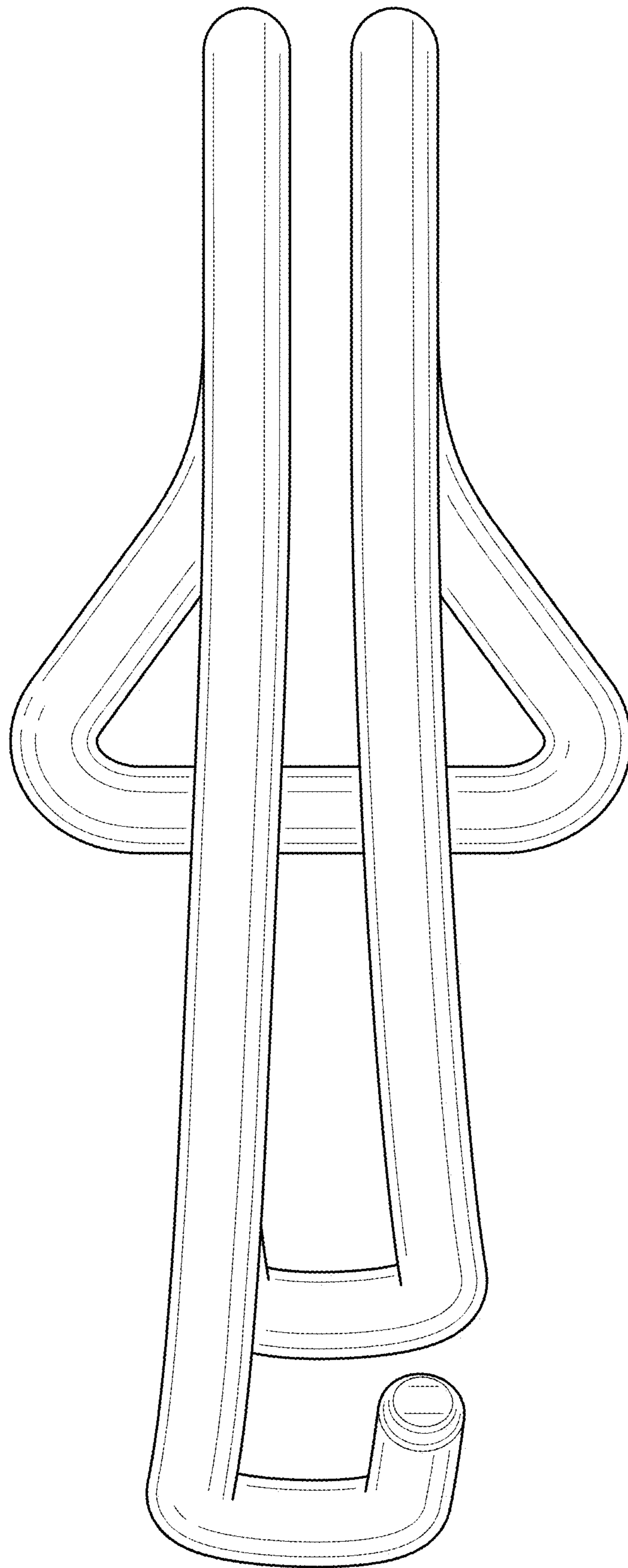


FIG. 2

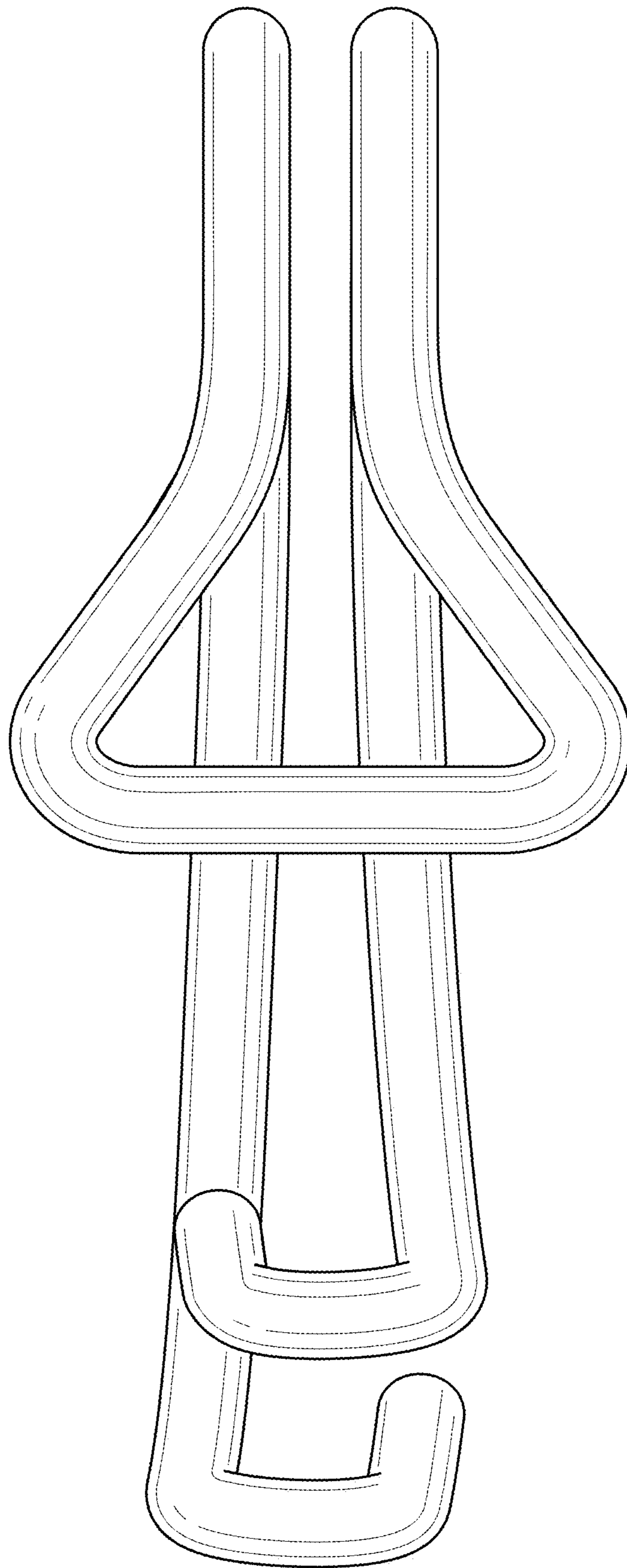


FIG. 3

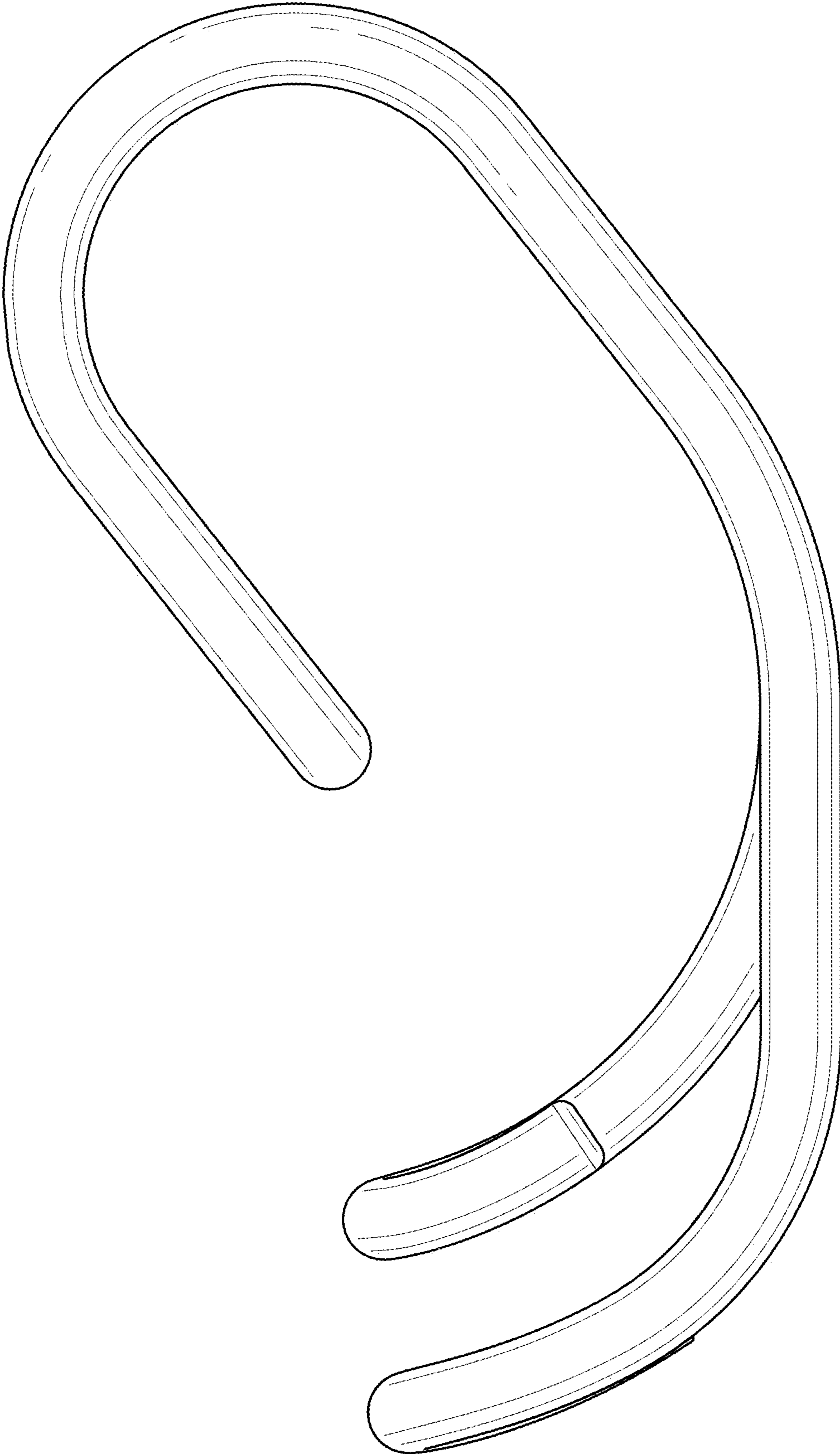


FIG. 4

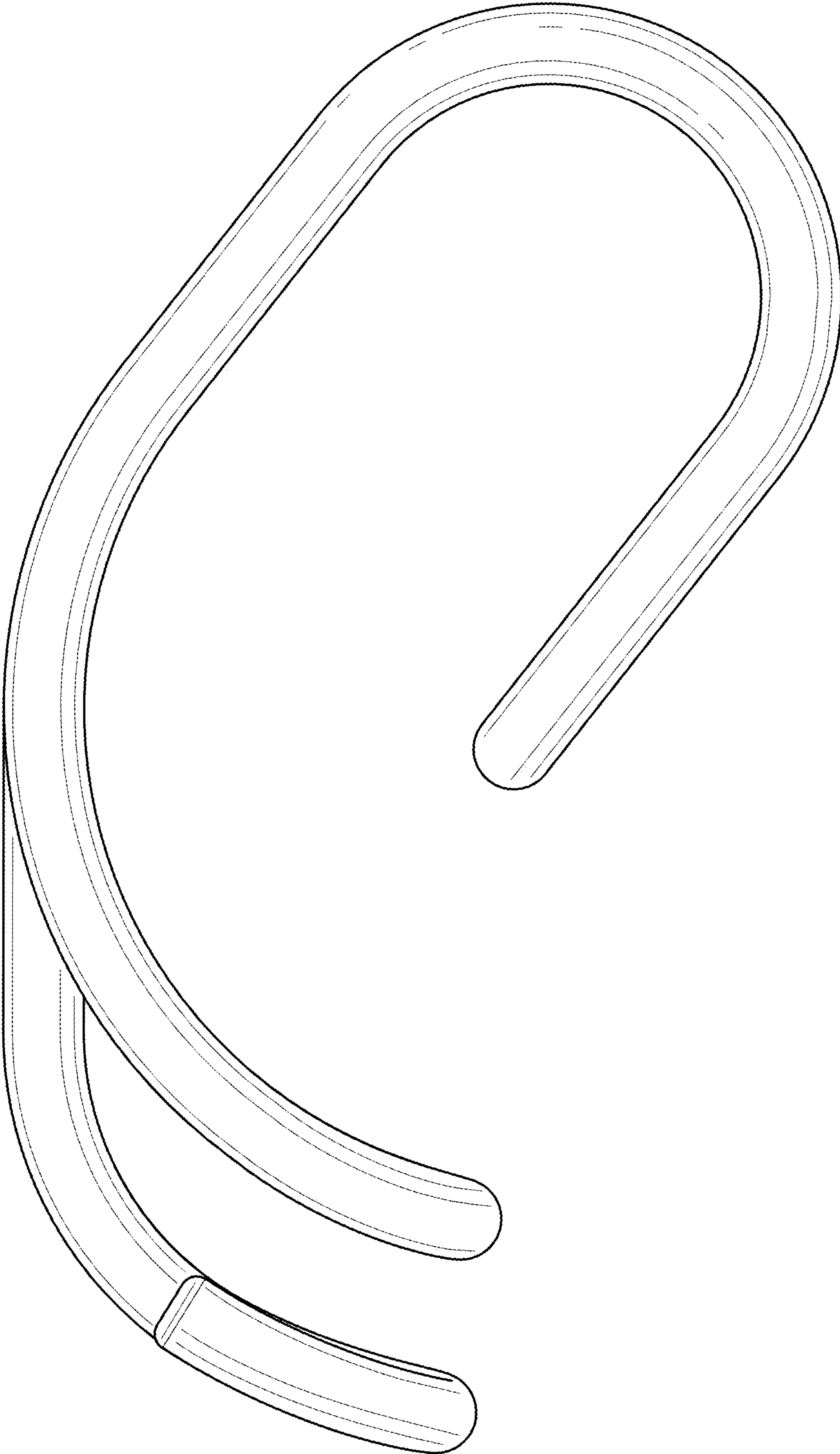


FIG. 5

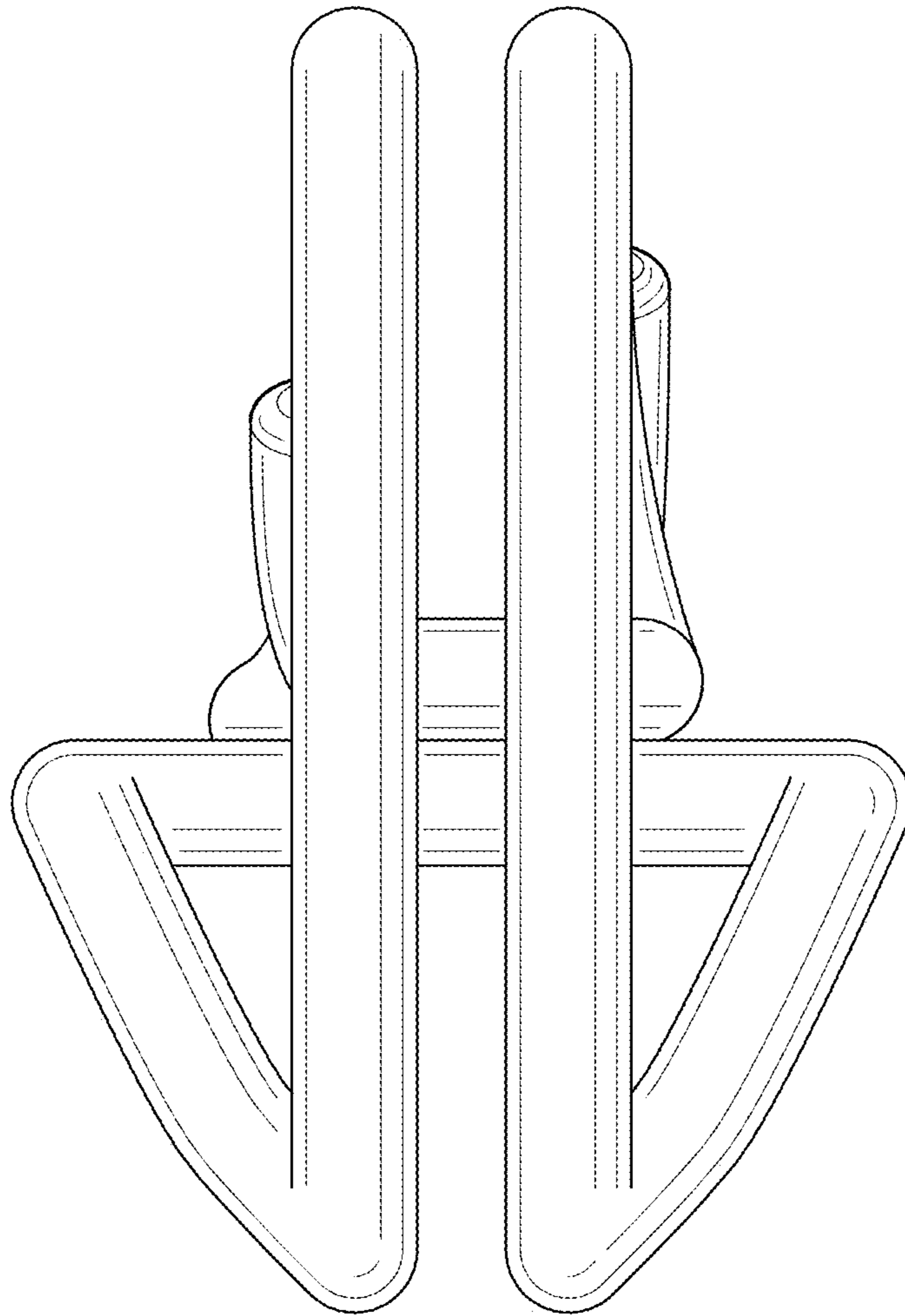


FIG. 6

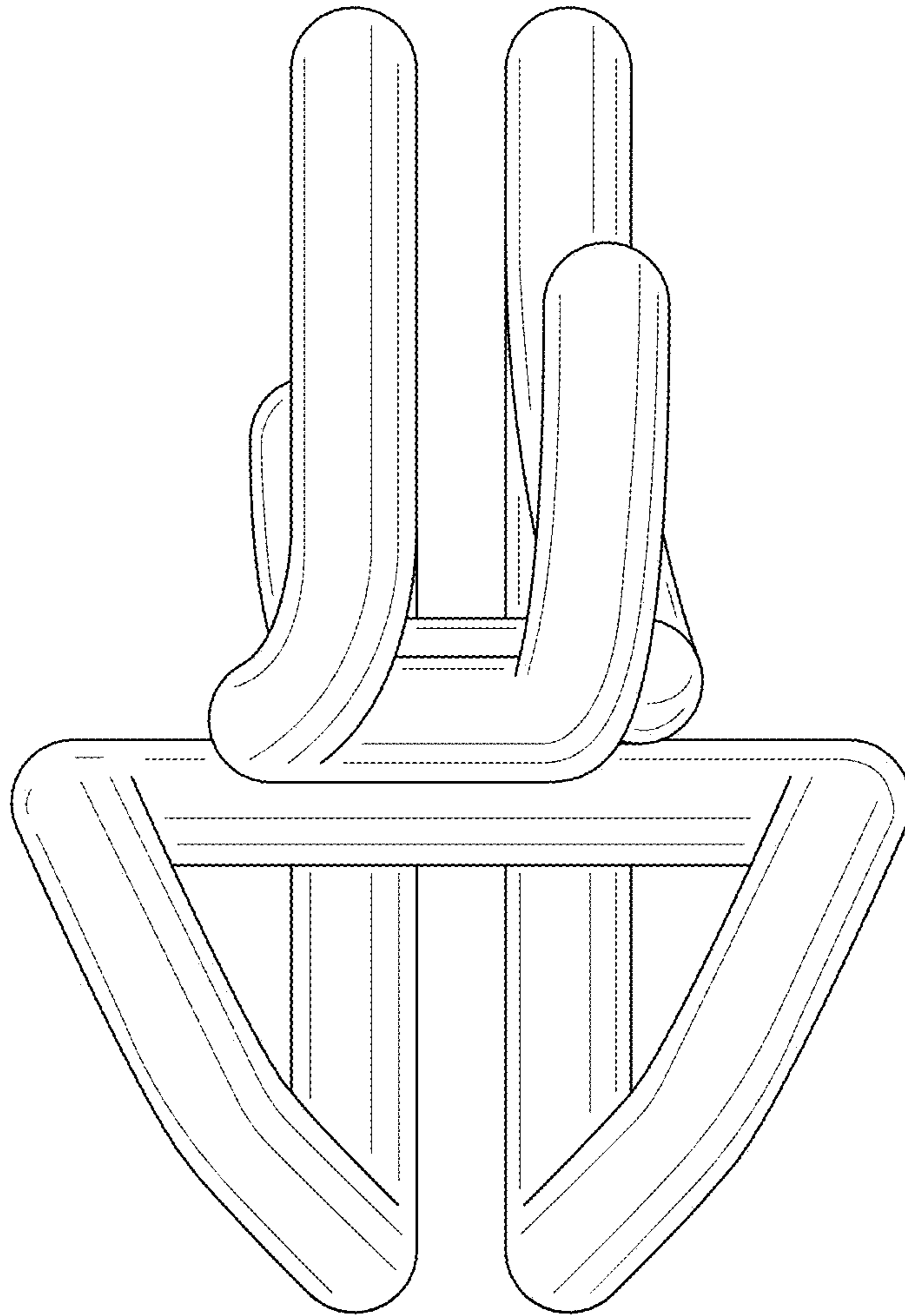


FIG. 7