



US00D940543S

(12) **United States Design Patent** (10) **Patent No.:** **US D940,543 S**  
**Seader** (45) **Date of Patent:** **\*\* Jan. 11, 2022**

(54) **HOOK**  
(71) Applicant: **Nite Ize, Inc.**, Boulder, CO (US)  
(72) Inventor: **Rex Seader**, Denver, CO (US)  
(\*\*) Term: **15 Years**  
(21) Appl. No.: **29/696,306**

D757,527 S \* 5/2016 Rawls-Meehan ..... F16B 45/00  
D8/370  
D872,565 S \* 1/2020 Hendrickson ..... D8/356  
2016/0044905 A1\* 2/2016 Baskett ..... A01K 91/04  
43/43.16  
2017/0211221 A1\* 7/2017 Uros ..... D06F 39/14  
2017/0219004 A1\* 8/2017 Weishaar ..... F16B 45/00  
2018/0187713 A1\* 7/2018 Chmelar ..... F16B 45/06  
2019/0101152 A1\* 4/2019 Turbenson ..... F16B 2/248  
2021/0155375 A1\* 5/2021 Chu ..... B65D 23/003

(22) Filed: **Jun. 26, 2019**  
(51) **LOC (13) Cl.** ..... **08-05**  
(52) **U.S. Cl.**  
USPC ..... **D8/370**  
(58) **Field of Classification Search**  
USPC ..... D8/370, 367; D24/176; D32/54;  
D11/202, 206–207, 212, 231; D21/400  
CPC ..... A45F 2005/008; A45F 5/00; A45F 5/102;  
A47B 63/00; B42F 15/0035; B42F  
15/0064  
See application file for complete search history.

**OTHER PUBLICATIONS**

Hysagtek 10x8mm Plastic-Coated Bungee, Date Visited: Jun. 16, 2021, Amazon, Date Available: Jun. 30, 2017, <https://www.amazon.com/Hysagtek-Plastic-coated-Bungee-Elastic-Strapping/dp/B073JCKZGK> (Year: 2017).\*  
How to Make a Spiral Hook, Date Visited: Jun. 16, 2021, Fire Mountain Gems, Date Available: Jun. 16, 2021, <https://www.firemountaingems.com/resources/tutorials/a92n> (Year: 2021).\*

(Continued)

*Primary Examiner* — Susan Bennett Hattan  
*Assistant Examiner* — Elizabeth S Ko  
(74) *Attorney, Agent, or Firm* — Haynes and Boone LLP

(56) **References Cited**

**U.S. PATENT DOCUMENTS**

3,716,985 A \* 2/1973 Meister ..... F16G 11/12  
24/68 F  
D323,104 S \* 1/1992 Russell ..... D8/370  
D357,402 S \* 4/1995 Roethler ..... D8/367  
D387,165 S \* 12/1997 Chikami ..... D24/176  
D555,461 S \* 11/2007 Tincher ..... D8/370  
D561,007 S \* 2/2008 Kaesler ..... D8/354  
D561,011 S \* 2/2008 Van Handel ..... D8/367  
D568,145 S \* 5/2008 Handel ..... D8/370  
D629,291 S \* 12/2010 Veilleux ..... F16G 11/12  
D8/370  
D701,752 S \* 4/2014 Lozano ..... D8/370  
D703,517 S \* 4/2014 Stromberg ..... D8/370  
D742,996 S \* 11/2015 Trice ..... D22/144  
D752,958 S \* 4/2016 Giordano ..... D8/367

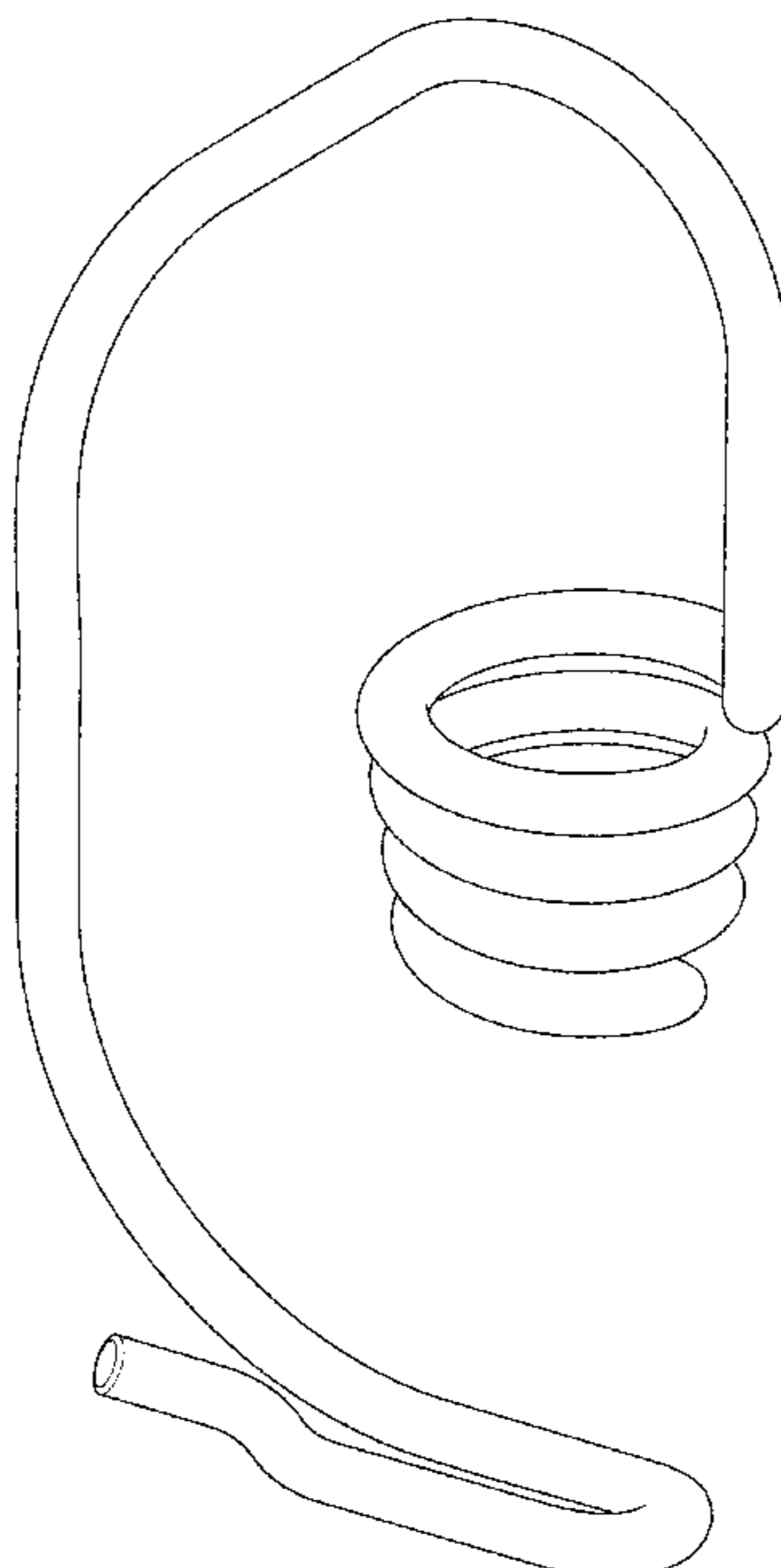
(57) **CLAIM**

The ornamental design for the hook, as shown and described.

**DESCRIPTION**

FIG. 1 shows a front perspective view of a hook;  
FIG. 2 shows a right side view of the hook of FIG. 1;  
FIG. 3 shows a left side view of the hook of FIG. 1;  
FIG. 4 shows a rear view of the hook of FIG. 1;  
FIG. 5 shows a front view of the hook of FIG. 1;  
FIG. 6 shows a top view of the hook of FIG. 1; and,  
FIG. 7 shows a bottom view of the hook of FIG. 1.

**1 Claim, 7 Drawing Sheets**



(56)

**References Cited**

OTHER PUBLICATIONS

Making clasps \_ Wire work jewelry, Wire jewelry, Diy wire jewelry,  
Date Visited: Jun. 16, 2021, Pinterest, Date Available: Jun. 16, 2021,  
<https://www.pinterest.com/pin/91197961174530861/> (Year: 2021).\*  
Hook Clasp Wire Wrapping Tutorial, Date Visited: Jun. 16, 2021,  
All Free Jewelry Making, Date Available: Nov. 6, 2014, [https://  
www.allfreejewelrymaking.com/Jewelry-Basics/Hook-Clasp-Wire-  
Wrapping-Tutorial](https://www.allfreejewelrymaking.com/Jewelry-Basics/Hook-Clasp-Wire-Wrapping-Tutorial) (Year: 2014).\*

\* cited by examiner

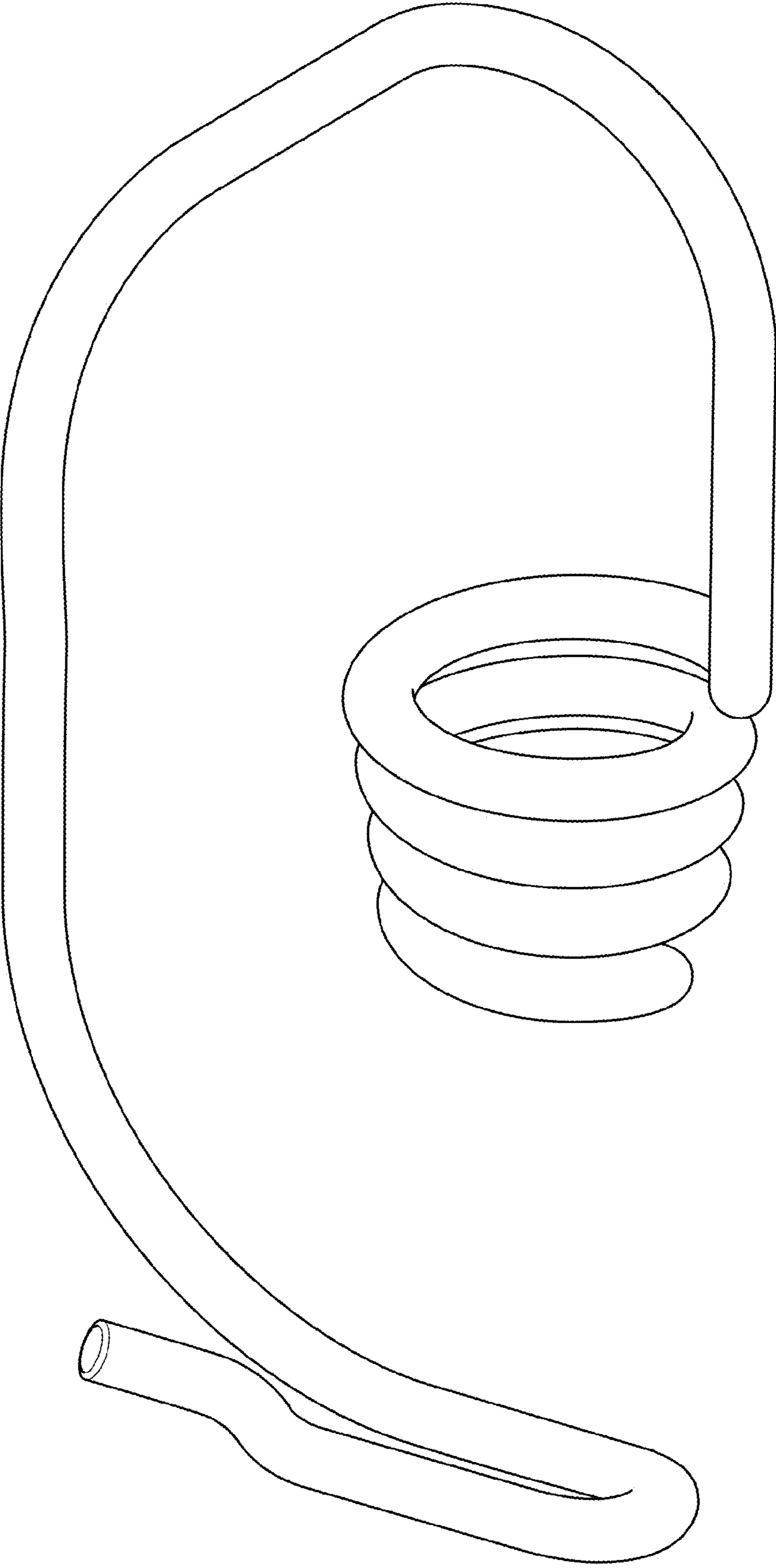


FIG. 1

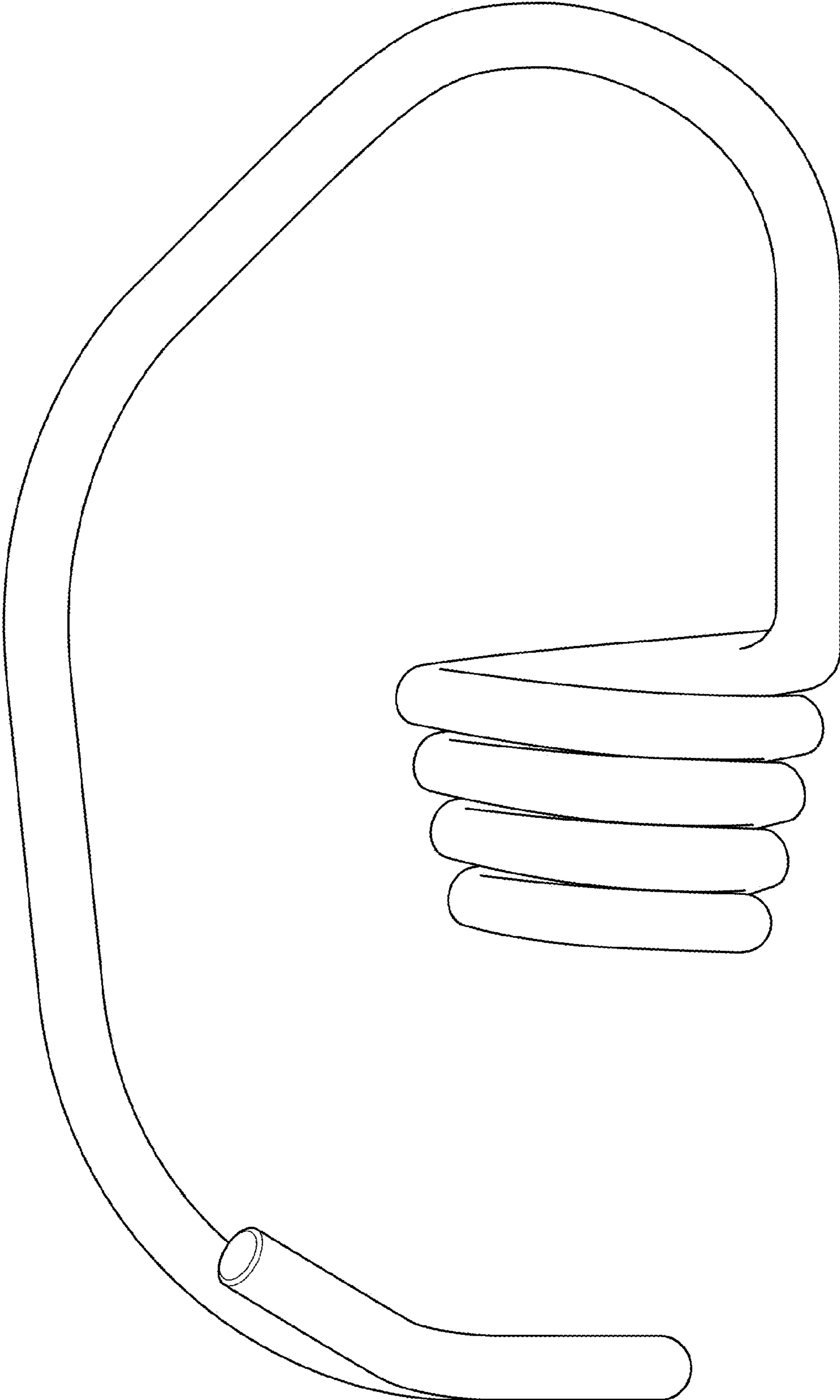


FIG. 2

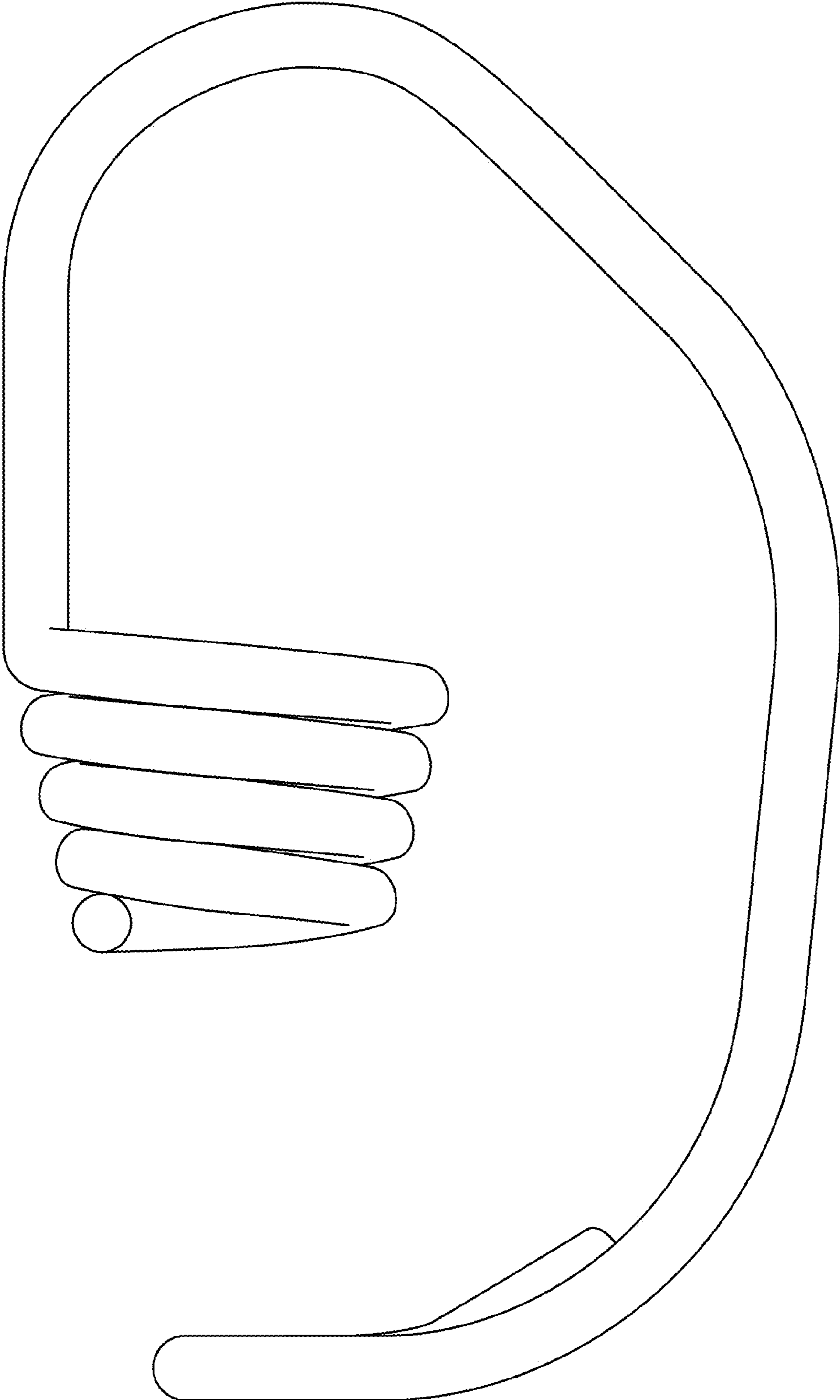


FIG. 3

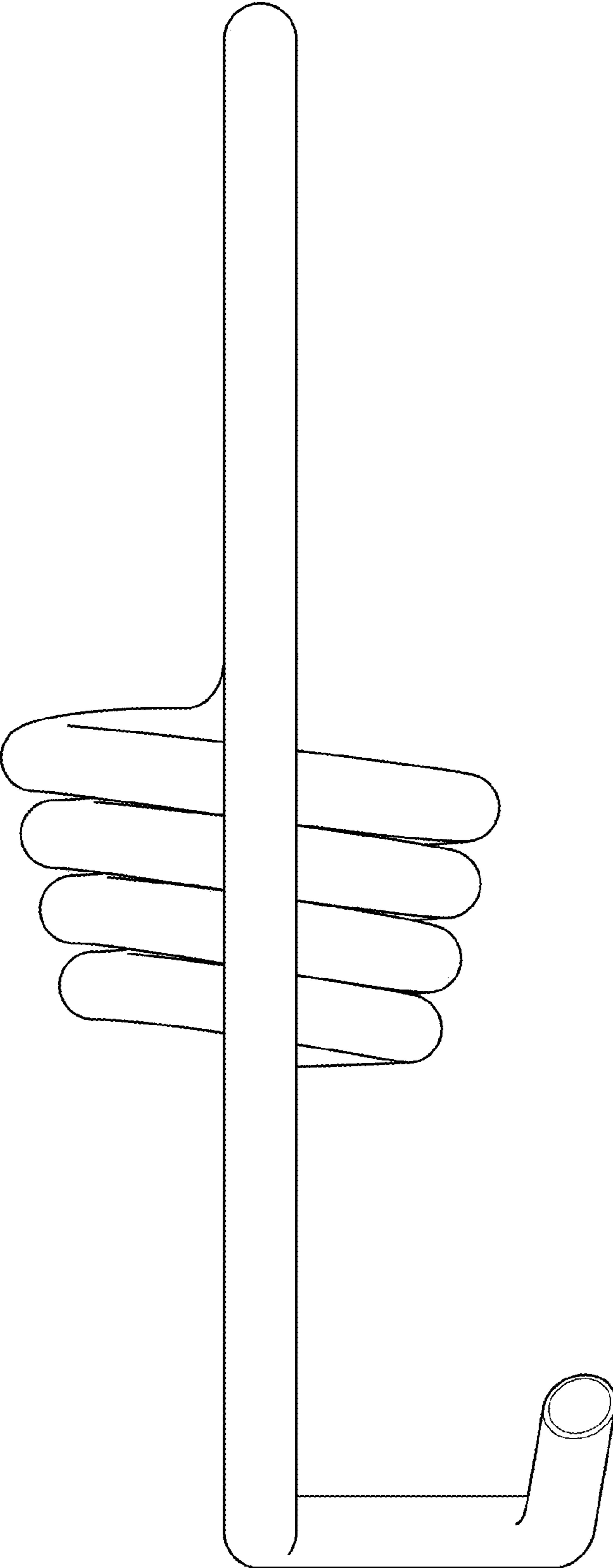


FIG. 4

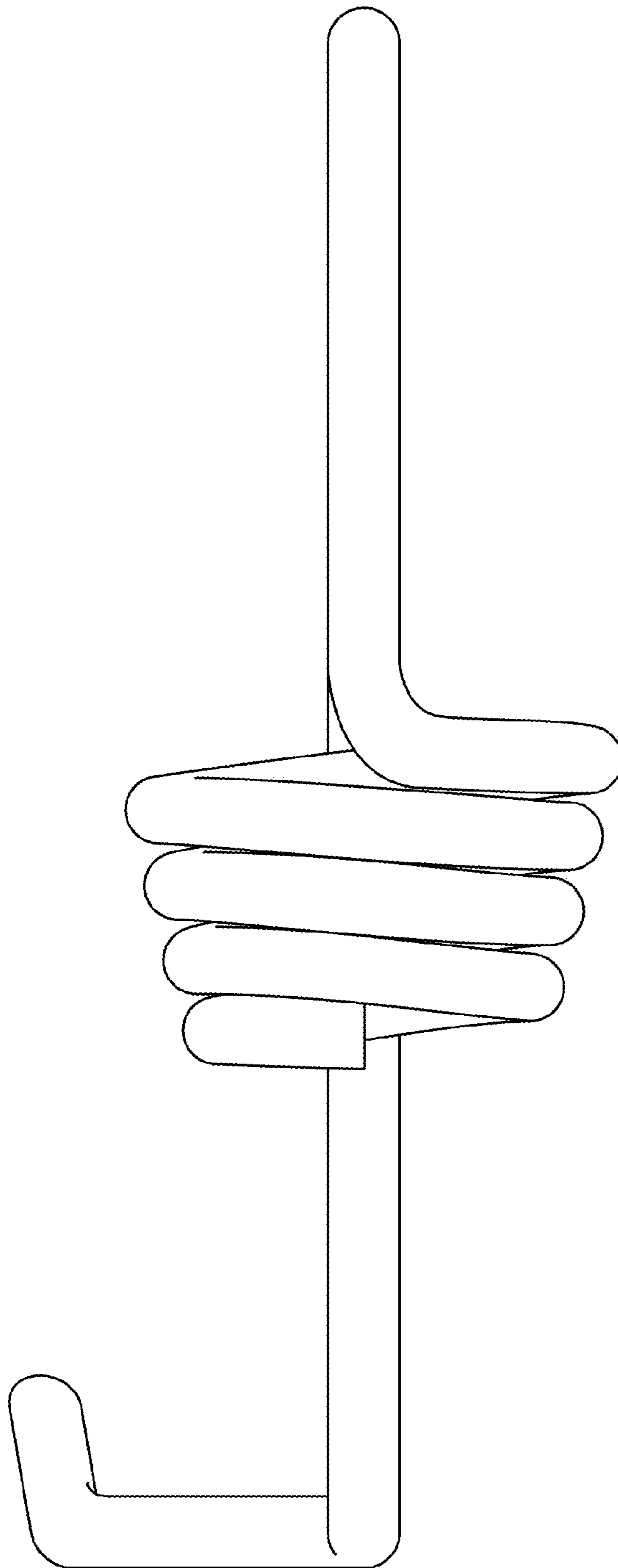


FIG. 5

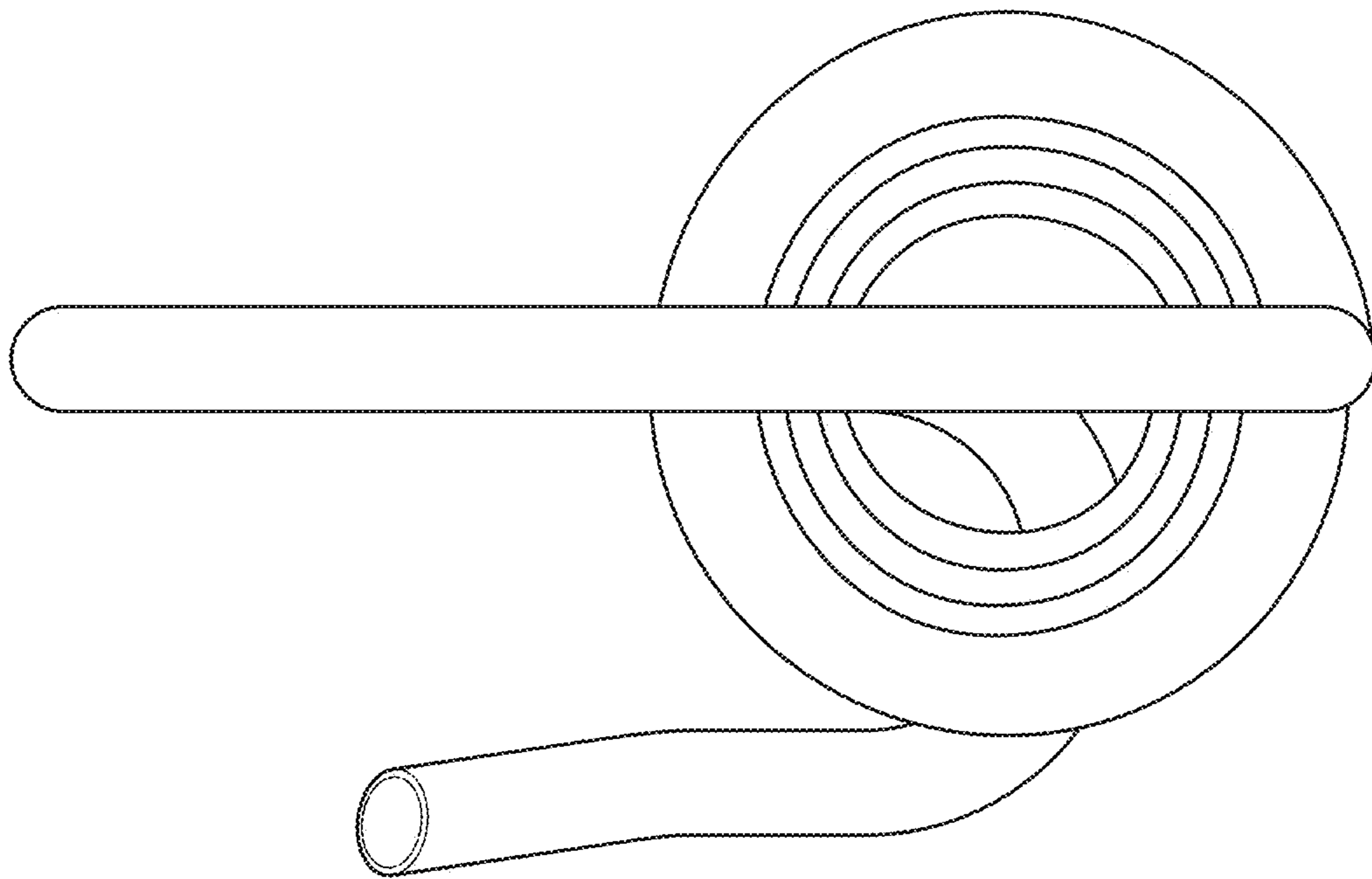


FIG. 6



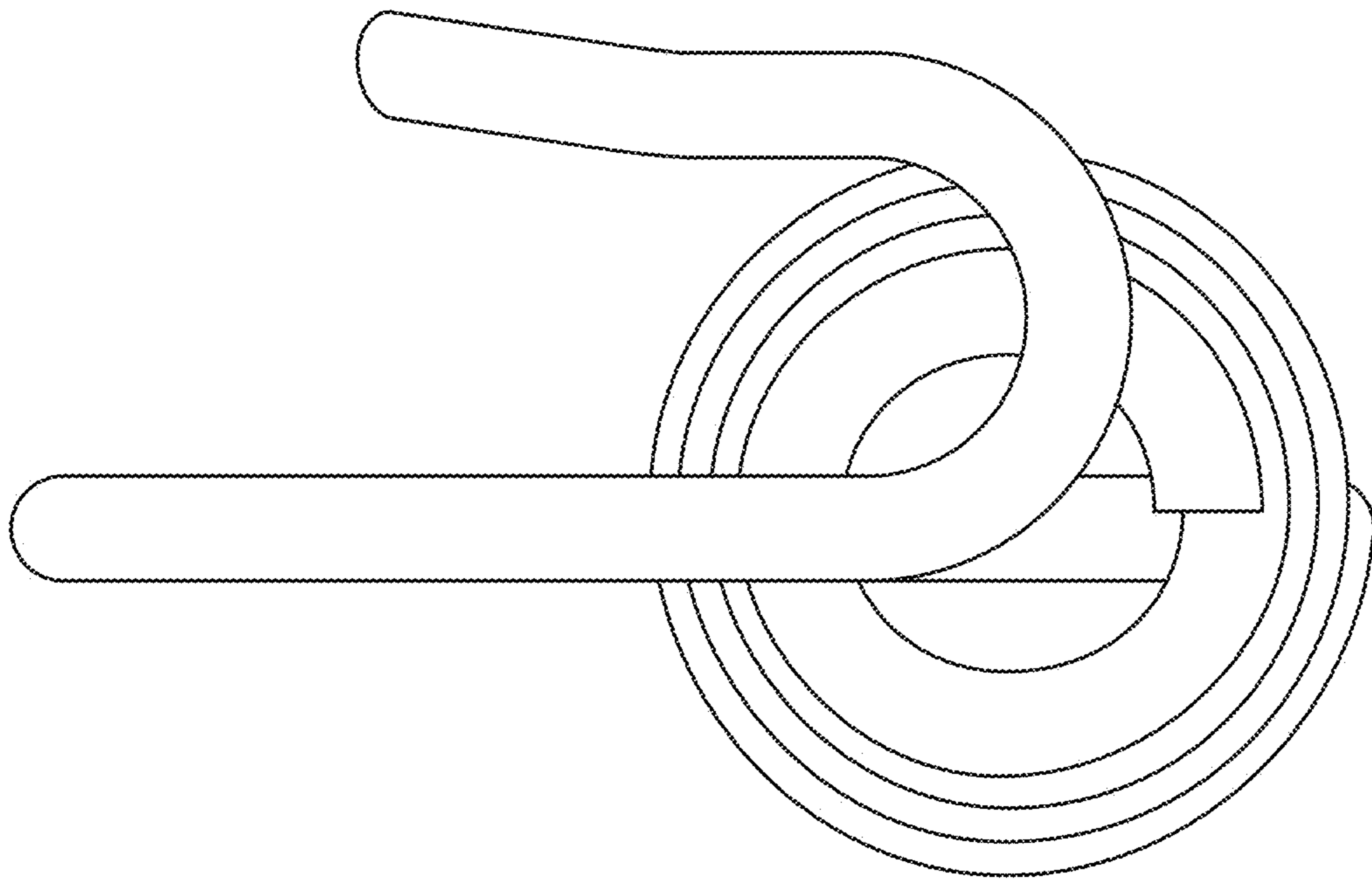


FIG. 7