

US00D940542S

(12) **United States Design Patent**  
Feng et al.

(10) **Patent No.: US D940,542 S**  
(45) **Date of Patent: \*\* Jan. 11, 2022**

(54) **CARABINER**  
(71) Applicant: **Touching Design LLC**, Katy, TX (US)  
(72) Inventors: **Haoyu Feng**, Katy, TX (US); **Dan Xiong**, Katy, TX (US)  
(\*\*) Term: **15 Years**  
(21) Appl. No.: **29/755,702**  
(22) Filed: **Oct. 22, 2020**  
(51) **LOC (13) Cl.** ..... **09-06**  
(52) **U.S. Cl.**  
USPC ..... **D8/356**  
(58) **Field of Classification Search**  
USPC ..... D8/367, 356, 354, 349, 105; 24/599.9  
CPC ..... B63B 21/045; F16B 45/02; A63B 27/02;  
A63B 29/08  
See application file for complete search history.

2007/0186393 A1\* 8/2007 Thompson ..... F16B 45/02  
24/599.9  
2009/0056088 A1\* 3/2009 Petzl ..... F16B 45/02  
24/599.9  
2011/0138587 A1\* 6/2011 Walker ..... F16B 45/02  
24/599.5  
2012/0011688 A1\* 1/2012 Yang ..... F16B 45/02  
24/599.8  
2014/0123447 A1\* 5/2014 Calvert ..... F16B 45/025  
24/599.9  
2014/0245576 A1\* 9/2014 Perner ..... F16B 45/02  
24/600.1  
2016/0363159 A1\* 12/2016 Yeh ..... F16B 45/02  
2018/0100649 A1\* 4/2018 Mojica ..... F23Q 1/06

\* cited by examiner

*Primary Examiner* — Cynthia R Underwood  
(74) *Attorney, Agent, or Firm* — Wesley E. Schwie, Esq.;  
Gallium Law

(57) **CLAIM**

The ornamental design for a carabiner, as shown and described.

**DESCRIPTION**

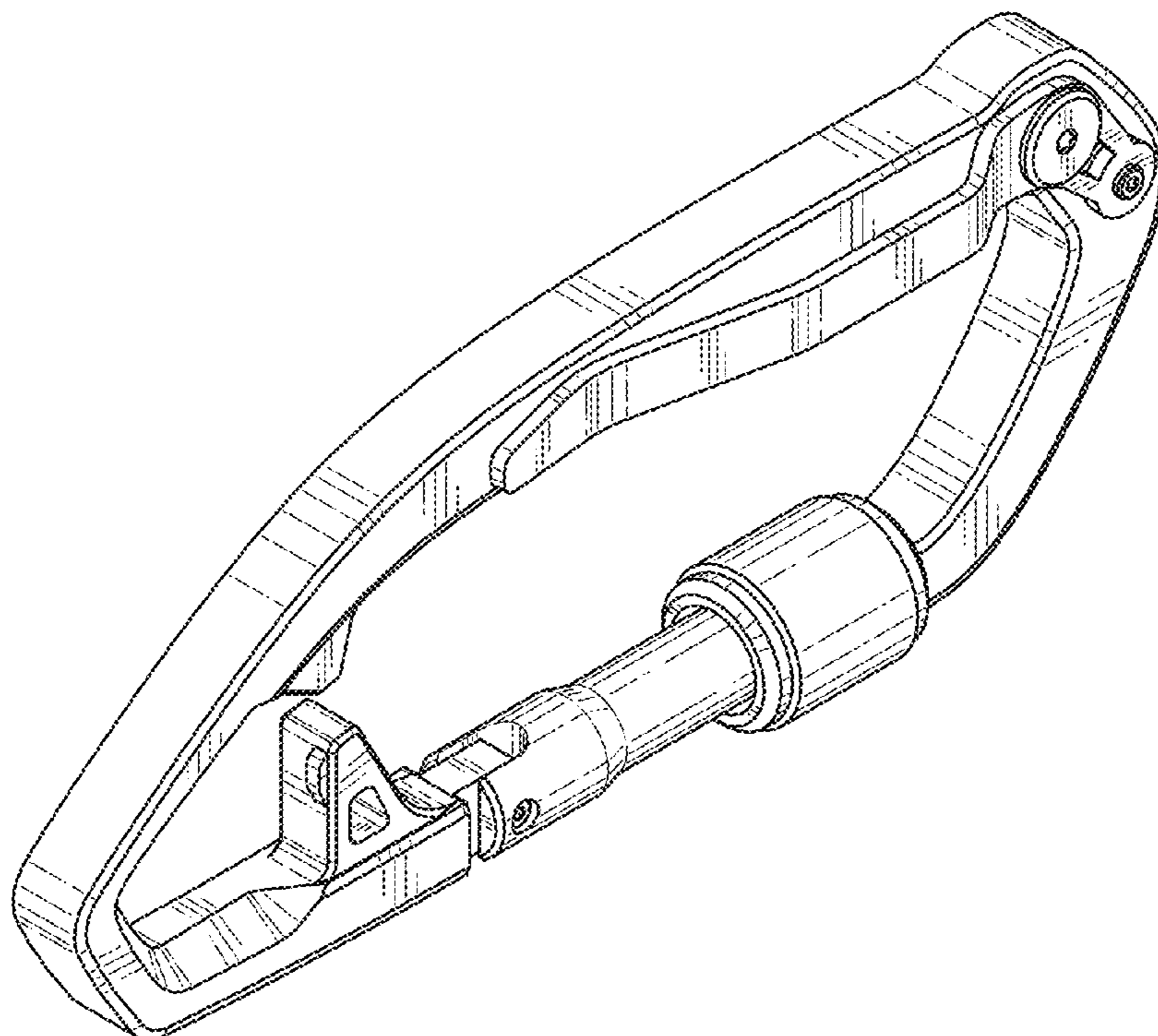
FIG. 1 is a back, first side, and bottom perspective view of a carabiner embodying the new design;  
FIG. 2 is a front, first side, and top perspective view thereof;  
FIG. 3 is a first side view thereof;  
FIG. 4 is a second side view thereof;  
FIG. 5 is a top view thereof;  
FIG. 6 is a bottom view thereof;  
FIG. 7 is a front view thereof; and,  
FIG. 8 is a back view thereof.

**1 Claim, 8 Drawing Sheets**

(56) **References Cited**

U.S. PATENT DOCUMENTS

D622,574 S \* 8/2010 Garcia ..... D8/105  
D649,018 S \* 11/2011 Kope ..... D8/367  
D649,862 S \* 12/2011 Arvinte ..... D8/339  
D708,047 S \* 7/2014 Petzl ..... D8/356  
D764,899 S \* 8/2016 Petzl ..... D8/356  
D790,327 S \* 6/2017 Renforth ..... D8/356  
D799,300 S \* 10/2017 Chang ..... D8/105  
D804,270 S \* 12/2017 Huang ..... D8/71  
D841,115 S \* 2/2019 Ishihara ..... D22/135  
D865,493 S \* 11/2019 Feng ..... D8/356  
D878,892 S \* 3/2020 Kao ..... D8/105  
D934,060 S \* 10/2021 Petzl ..... D8/356



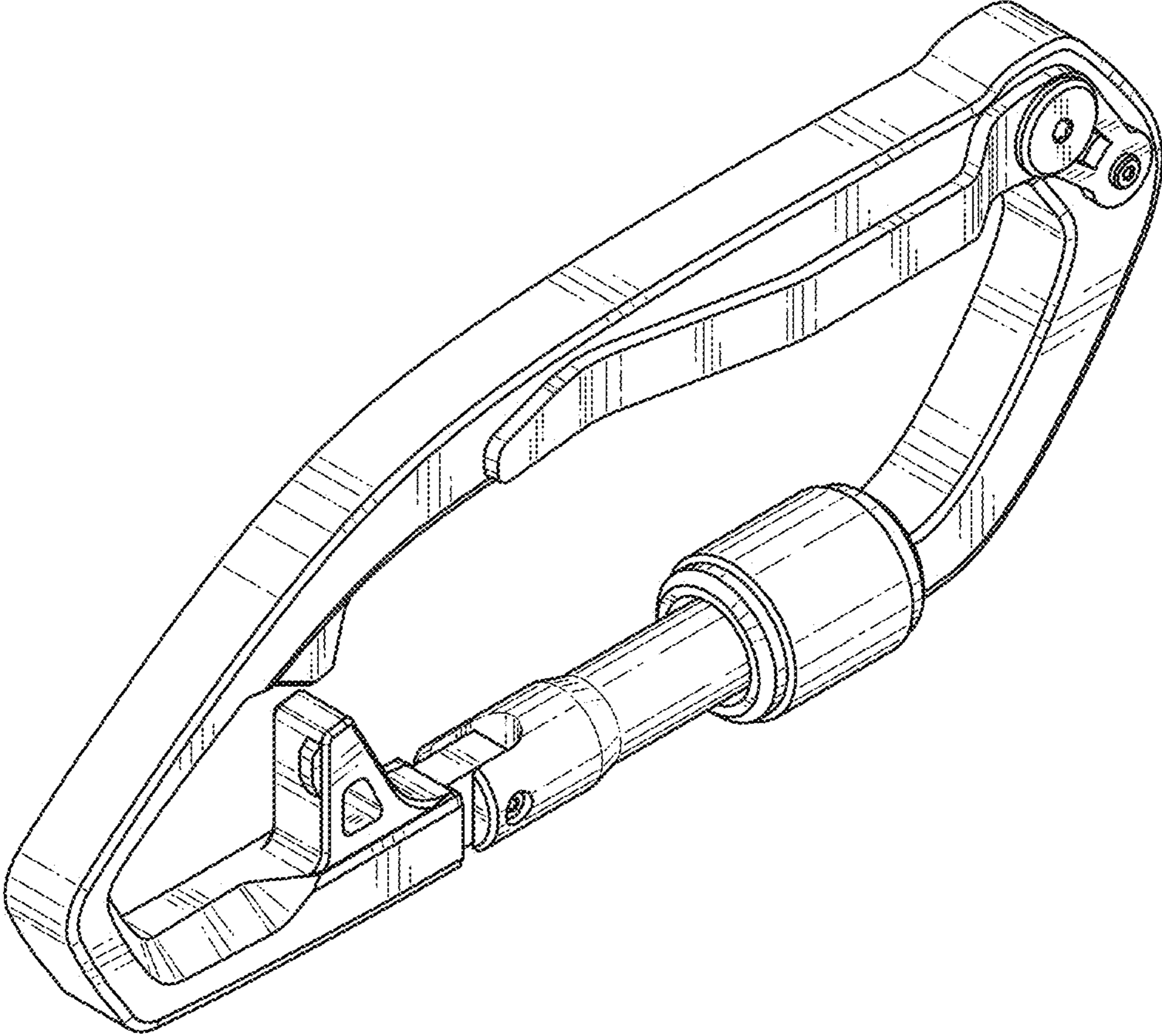


FIG. 1

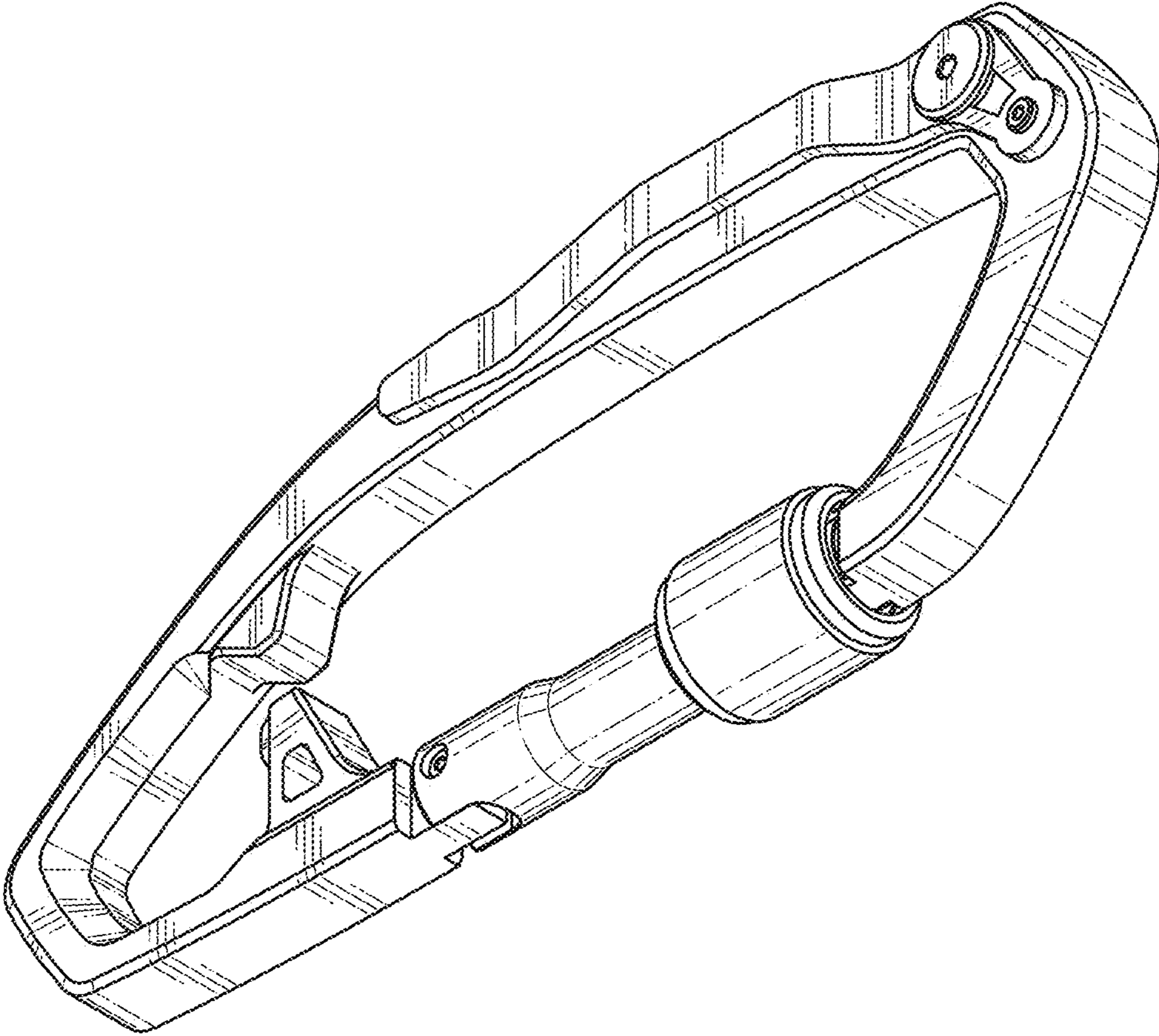


FIG. 2

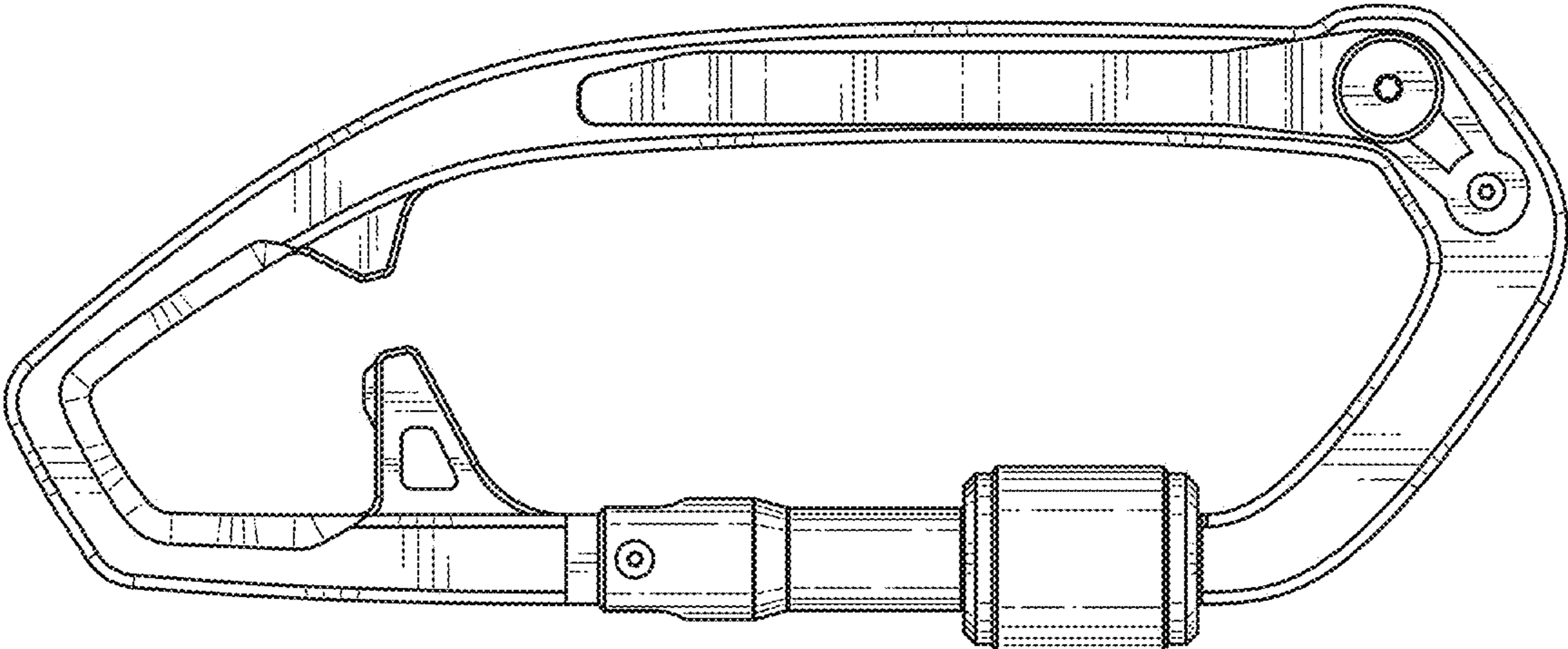


FIG. 3

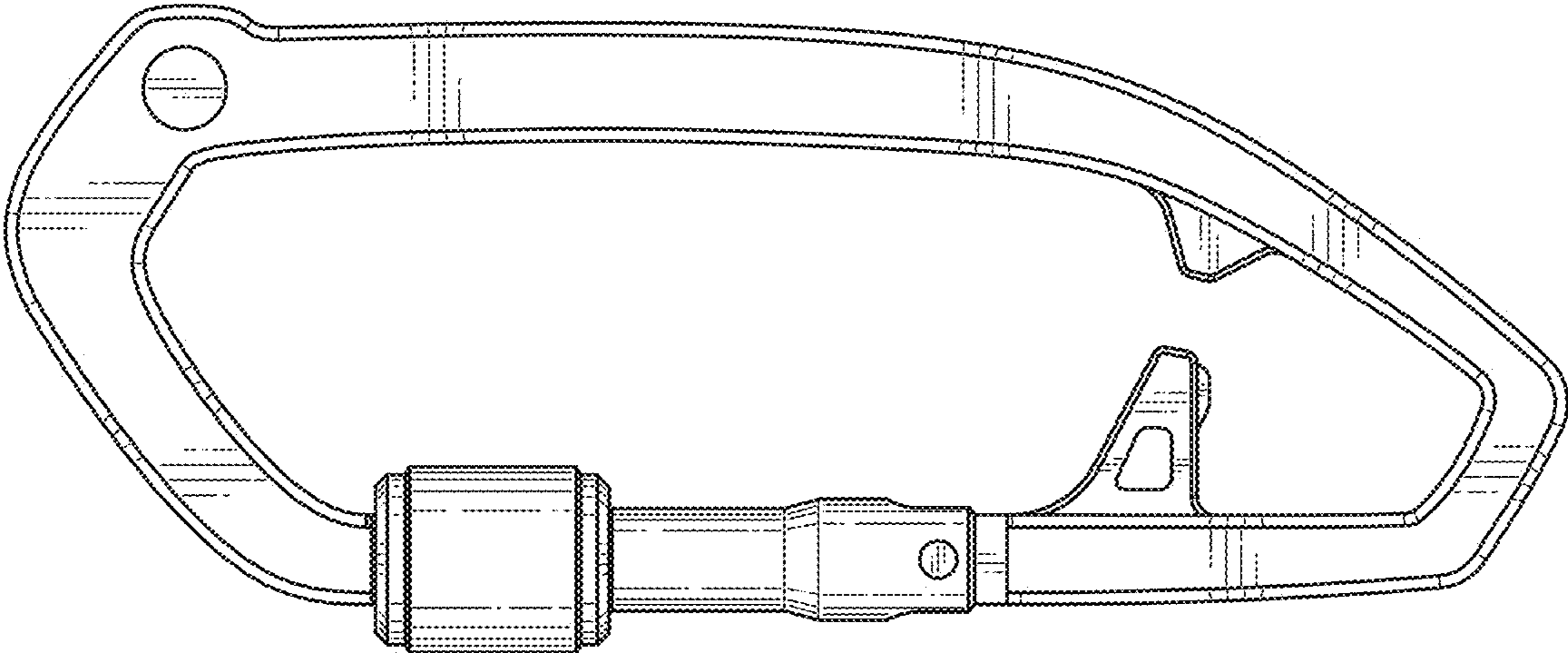


FIG. 4

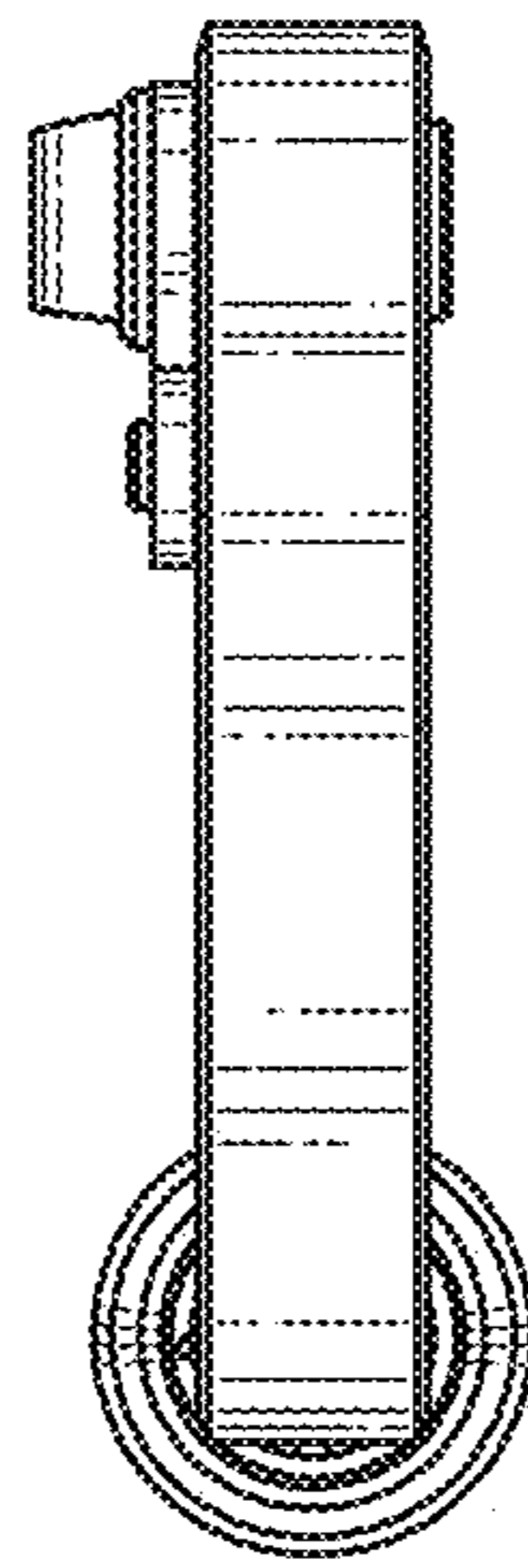


FIG. 5

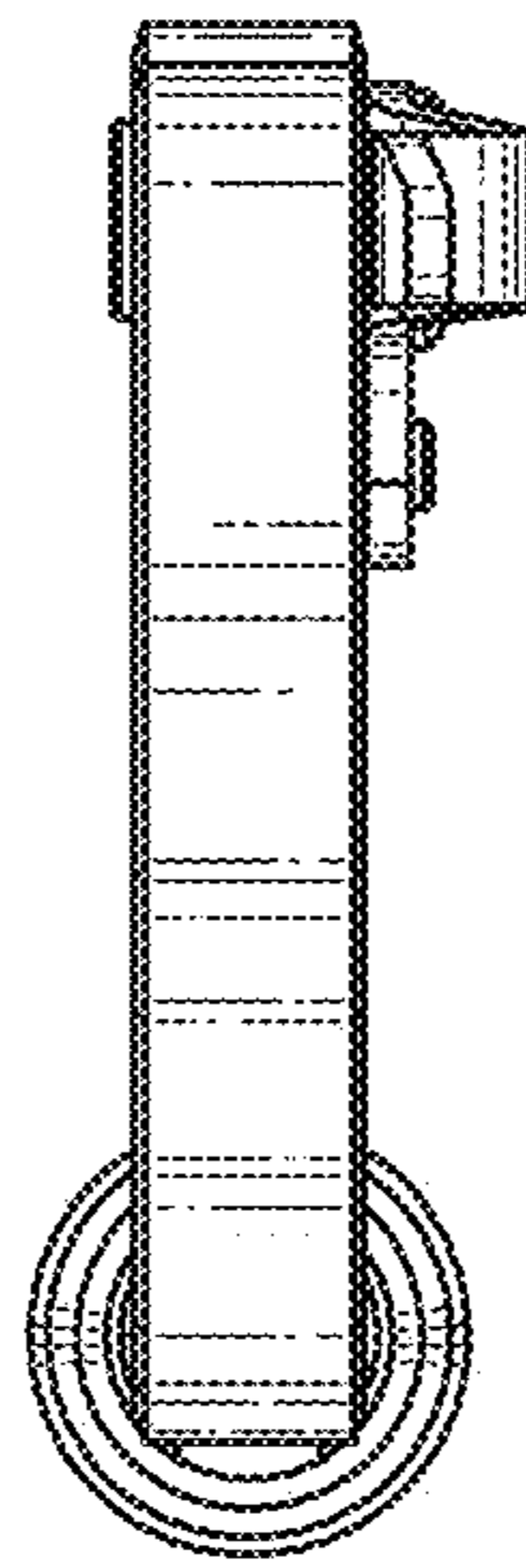


FIG. 6

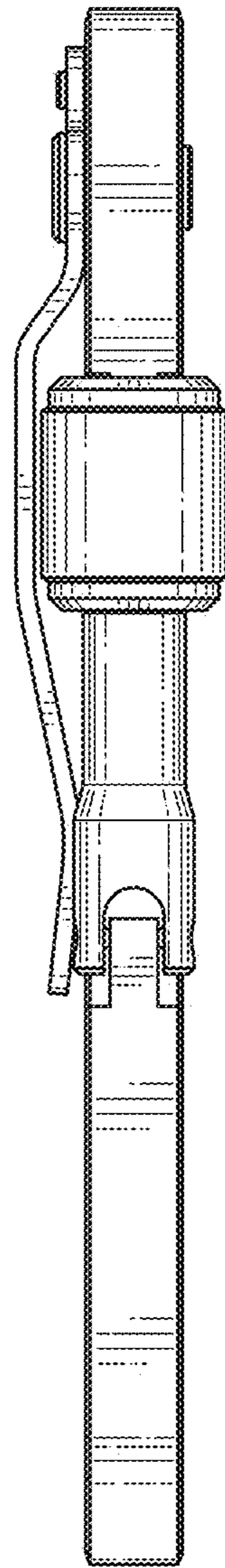


FIG. 7



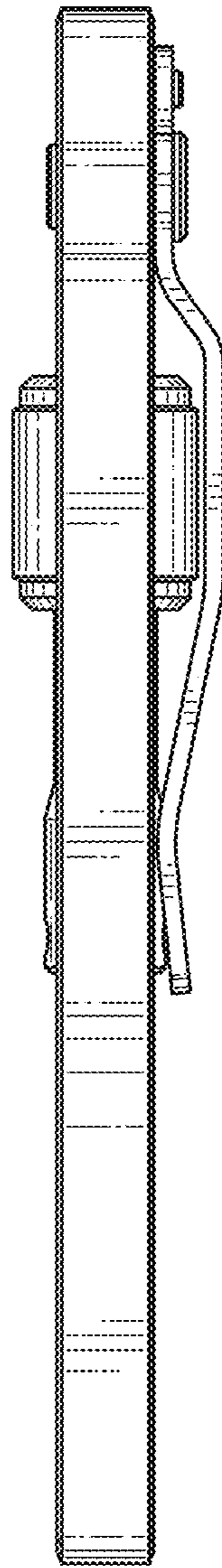


FIG. 8