



US00D940539S

(12) **United States Design Patent**
Youn

(10) **Patent No.:** **US D940,539 S**
(45) **Date of Patent:** **** Jan. 11, 2022**

(54) **CARABINER**
(71) Applicant: **SPIGEN KOREA CO., LTD.**, Seoul (KR)
(72) Inventor: **Junyong Youn**, Seoul (KR)
(**) Term: **15 Years**
(21) Appl. No.: **29/652,110**
(22) Filed: **May 13, 2020**
(51) **LOC (13) Cl.** **09-06**
(52) **U.S. Cl.**
USPC **D8/356**
(58) **Field of Classification Search**
USPC D8/356, 354, 105, 349
CPC B65H 57/16; B63B 21/045; A63B 29/08;
A63B 27/02
See application file for complete search history.

6,725,480 B2 4/2004 Sawatzky
6,859,963 B2 3/2005 Sawatzky
D504,975 S 5/2005 Xu
6,979,143 B2 12/2005 Goldberg
7,106,858 B2 9/2006 Goldberg
7,111,349 B2 9/2006 Goldberg
7,216,386 B2 5/2007 Sawatzky
7,216,906 B2 5/2007 Barrett
7,228,600 B1 6/2007 Selby et al.
7,234,207 B2 6/2007 Goldberg
7,254,856 B2 8/2007 Goldberg
7,293,927 B2 11/2007 Goldberg
7,325,282 B2 2/2008 Leung
7,540,074 B2 6/2009 Thompson
7,571,944 B2 8/2009 Mortensen
7,698,970 B1 4/2010 Chavez et al.
D622,574 S 8/2010 Garcia et al.
D625,988 S * 10/2010 Chan D8/367

(Continued)

Primary Examiner — Cynthia R Underwood
(74) *Attorney, Agent, or Firm* — Paul Chung

(56) **References Cited**

U.S. PATENT DOCUMENTS

4,095,316 A 6/1978 Gabriel
D282,904 S * 3/1986 Faidide D8/367
4,667,772 A 5/1987 Kammerer
4,802,264 A 2/1989 Isenhardt
4,811,467 A 3/1989 Lowe
5,005,266 A 4/1991 Fister et al.
5,210,914 A 5/1993 Katsma
5,329,675 A 7/1994 McLean et al.
5,416,955 A 5/1995 Katsma
5,463,798 A 11/1995 Wurzer
5,878,834 A 3/1999 Brainerd et al.
5,940,943 A 8/1999 Kloster
6,223,372 B1 5/2001 Barber
D444,685 S 7/2001 Shenkel et al.
6,588,076 B1 7/2003 Choate
6,606,769 B1 8/2003 Harris
6,622,354 B1 9/2003 Klingier
D483,519 S 12/2003 Liu et al.
6,715,898 B1 4/2004 Huang

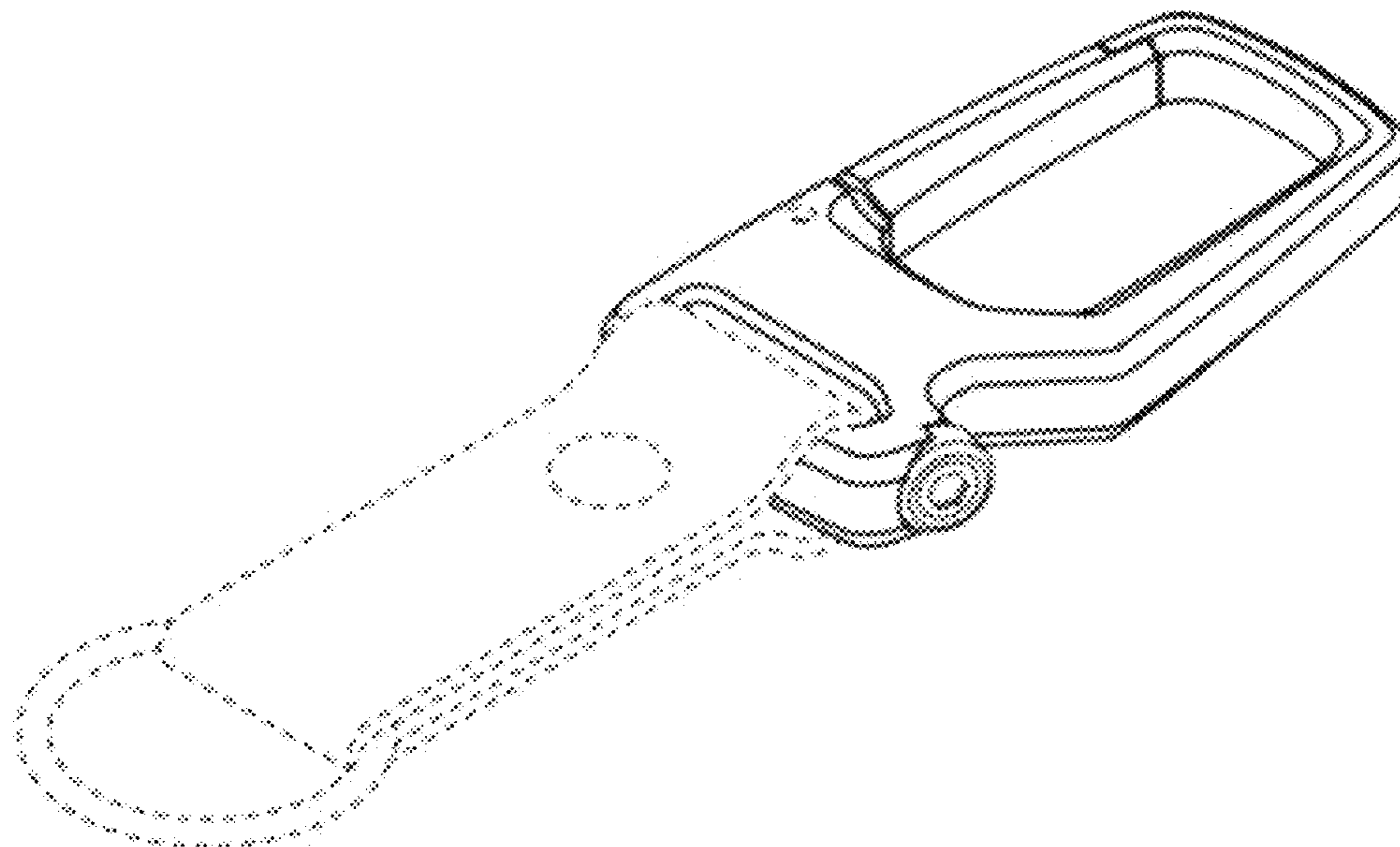
(57) **CLAIM**

The ornamental design of a carabiner, as shown and described.

DESCRIPTION

FIG. 1 is a front perspective view of the carabiner showing my new design;
FIG. 2 is a rear perspective view thereof;
FIG. 3 is a front elevational view thereof;
FIG. 4 is a rear elevational view thereof;
FIG. 5 is a left side elevational view thereof;
FIG. 6 is a right side elevational view thereof;
FIG. 7 is a top plan view thereof; and,
FIG. 8 is a bottom plan view thereof.
The broken lines throughout the drawing figures depict portions of the carabiner that form no part of the claimed design.

1 Claim, 8 Drawing Sheets



(56)

References Cited

U.S. PATENT DOCUMENTS

7,909,624 B2 3/2011 Iida
 7,938,533 B2 5/2011 Shapiro
 7,946,006 B2 5/2011 Thompson
 7,992,267 B2 8/2011 Christianson
 8,001,663 B2 8/2011 Belcourt et al.
 8,016,073 B2 9/2011 Petzl et al.
 8,060,994 B2 11/2011 Petzl et al.
 8,156,617 B2 4/2012 Schwappach et al.
 8,234,761 B2 8/2012 Gompert et al.
 D668,528 S * 10/2012 Chung D8/356
 8,366,265 B2 2/2013 Shapiro
 8,398,134 B1 3/2013 Mortensen
 8,402,616 B2 3/2013 Petzl et al.
 8,443,495 B2 5/2013 Schwappach et al.
 8,491,330 B2 7/2013 McSweyn
 8,528,451 B2 9/2013 Steineckert et al.
 8,555,470 B2 10/2013 Spataro et al.
 D693,207 S 11/2013 Petzl
 8,621,728 B2 1/2014 Christianson
 D701,740 S 4/2014 Lee
 D702,110 S * 4/2014 Gobbi D8/356
 8,758,045 B2 6/2014 McSweyn
 8,955,203 B2 2/2015 Tardif
 8,985,658 B2 3/2015 Chepurny et al.

D725,998 S 4/2015 McEvilly
 9,003,617 B2 4/2015 Walker et al.
 D735,559 S * 8/2015 Liang D8/356
 9,175,717 B2 11/2015 Tardif
 D746,656 S 1/2016 Smith et al.
 9,322,428 B2 4/2016 Perner
 9,470,258 B2 10/2016 Fitz-Earle et al.
 D773,274 S 12/2016 Berman
 D788,572 S 6/2017 Votel et al.
 9,707,419 B2 7/2017 Perner
 D807,725 S 1/2018 Chalfant
 9,927,122 B2 3/2018 Mundhra
 D815,512 S * 4/2018 Tong D8/356
 9,975,234 B2 5/2018 Berman
 D821,090 S * 6/2018 Case D3/207
 D837,930 S 1/2019 Draï
 D850,227 S * 6/2019 Spater D8/34
 D860,764 S 9/2019 Kelleghan
 10,480,785 B2 11/2019 Stonis et al.
 D885,871 S * 6/2020 Adelman D8/356
 2005/0144730 A1 7/2005 Barber et al.
 2008/0209700 A1 * 9/2008 Goldberg A44C 5/2033
 24/599.6
 2014/0127984 A1 5/2014 Smith et al.
 2016/0166012 A1 6/2016 Mojica
 2020/0158340 A1 5/2020 Mojica

* cited by examiner

FIG. 1

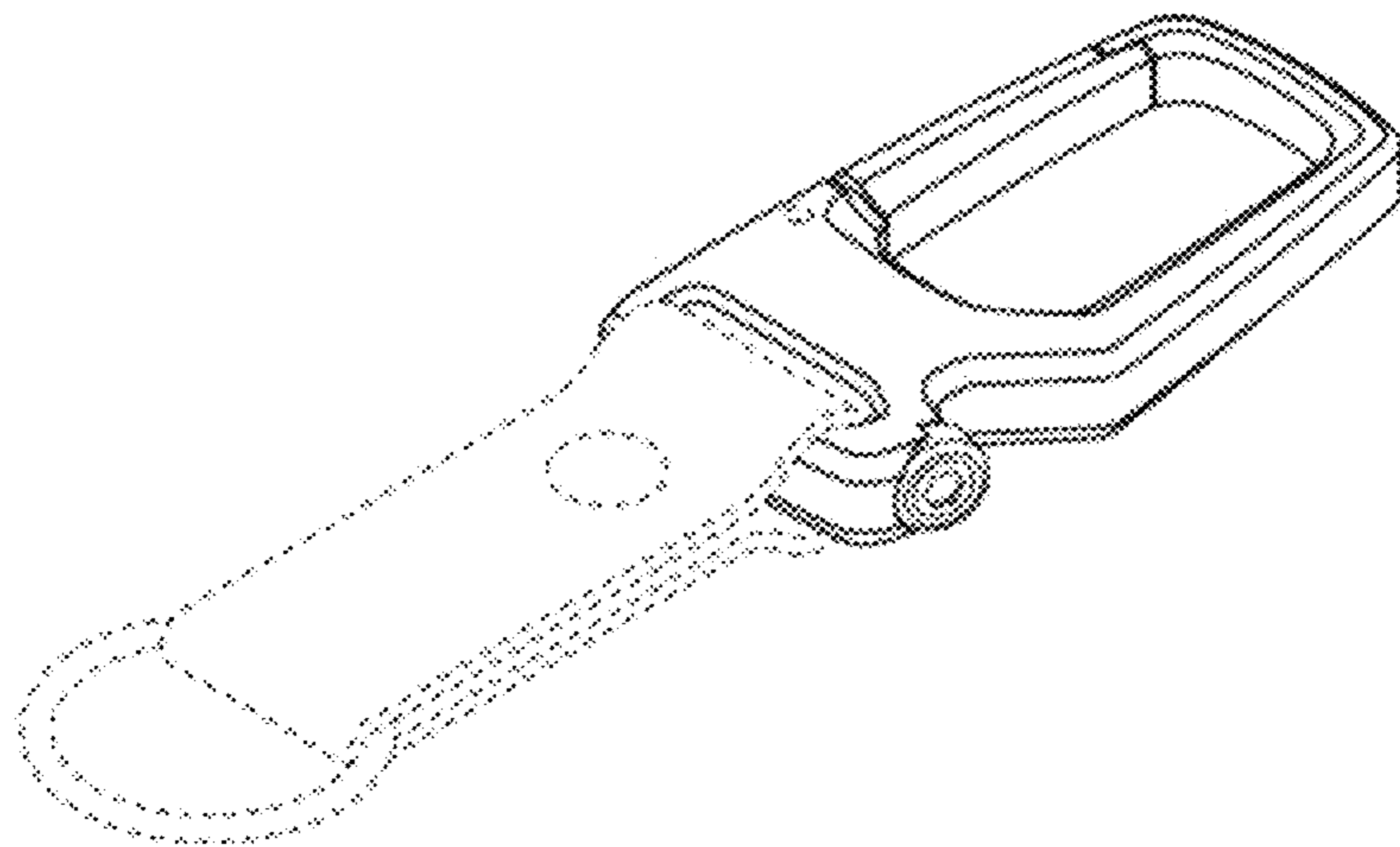


FIG. 2

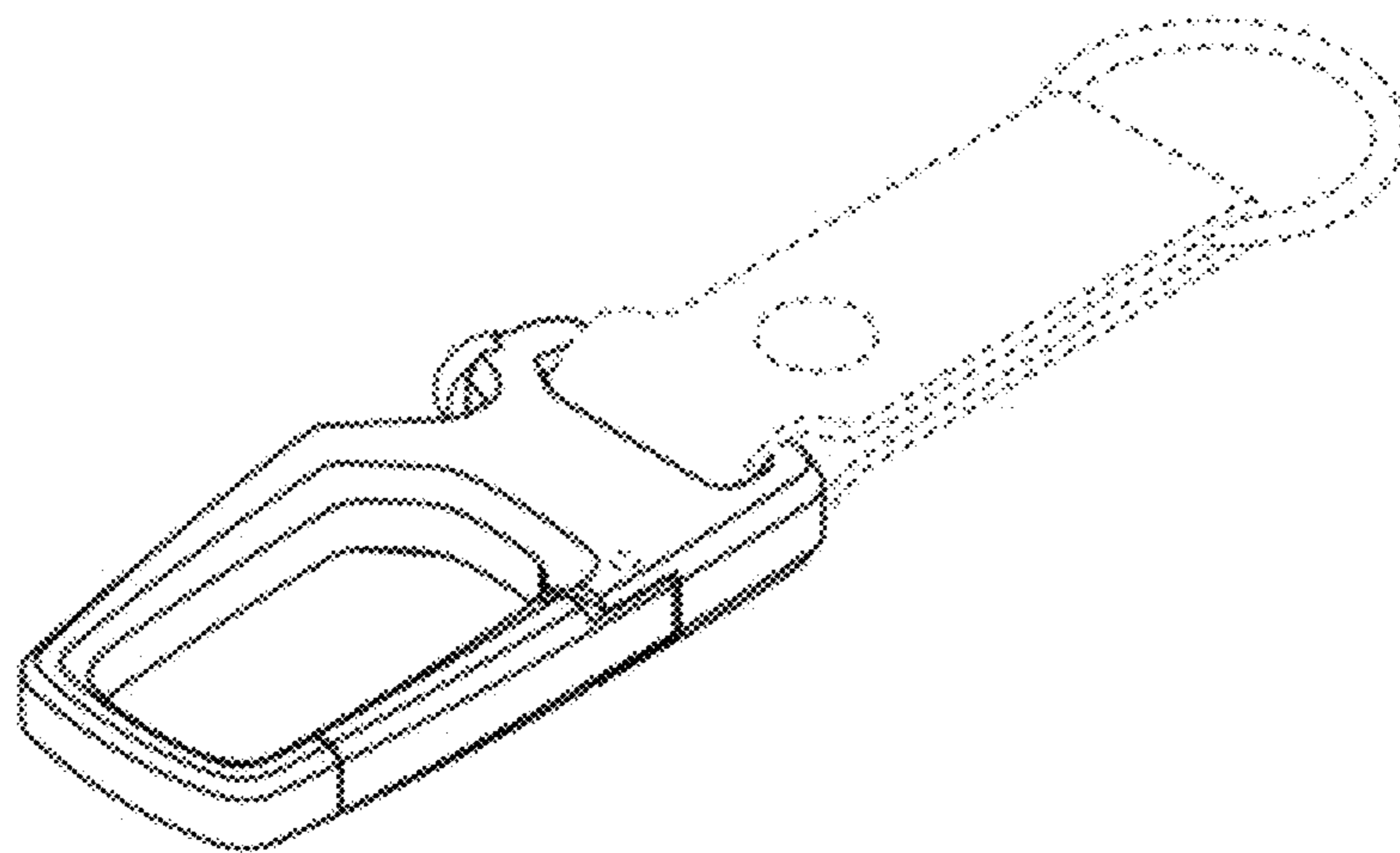


FIG. 3

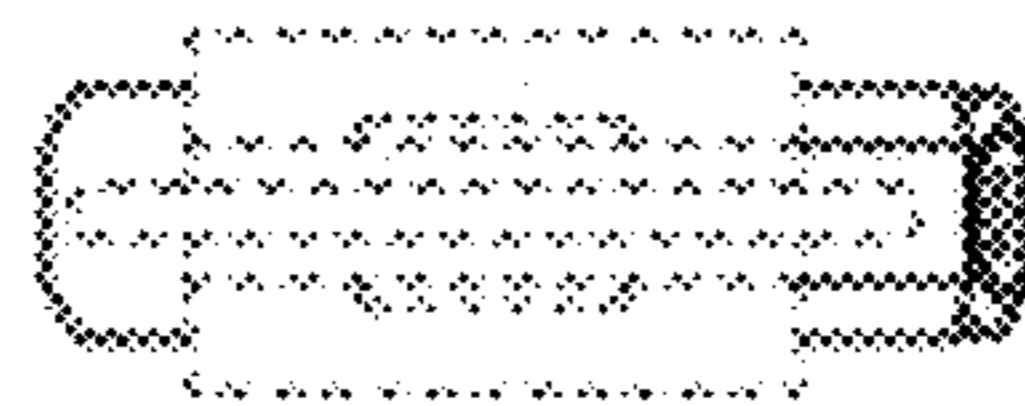


FIG. 4



FIG. 5

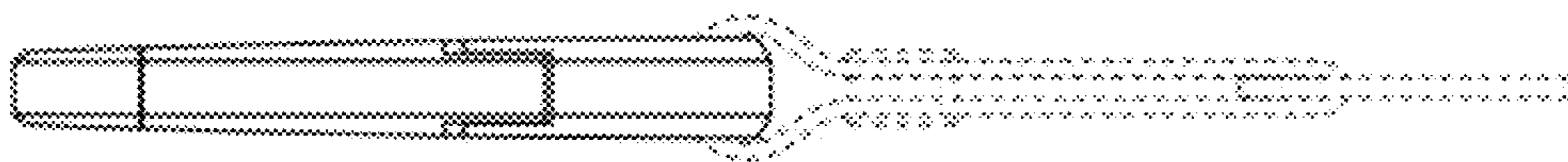


FIG. 6

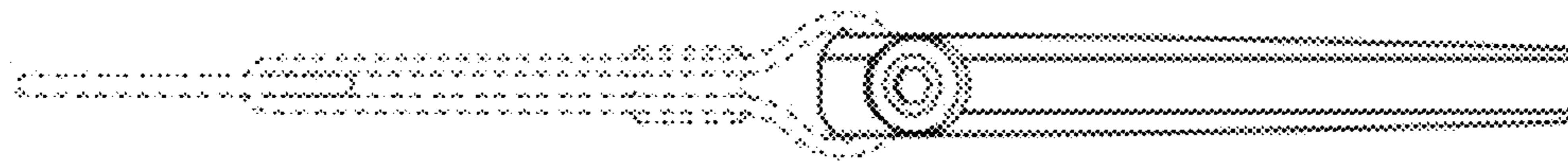


FIG. 7

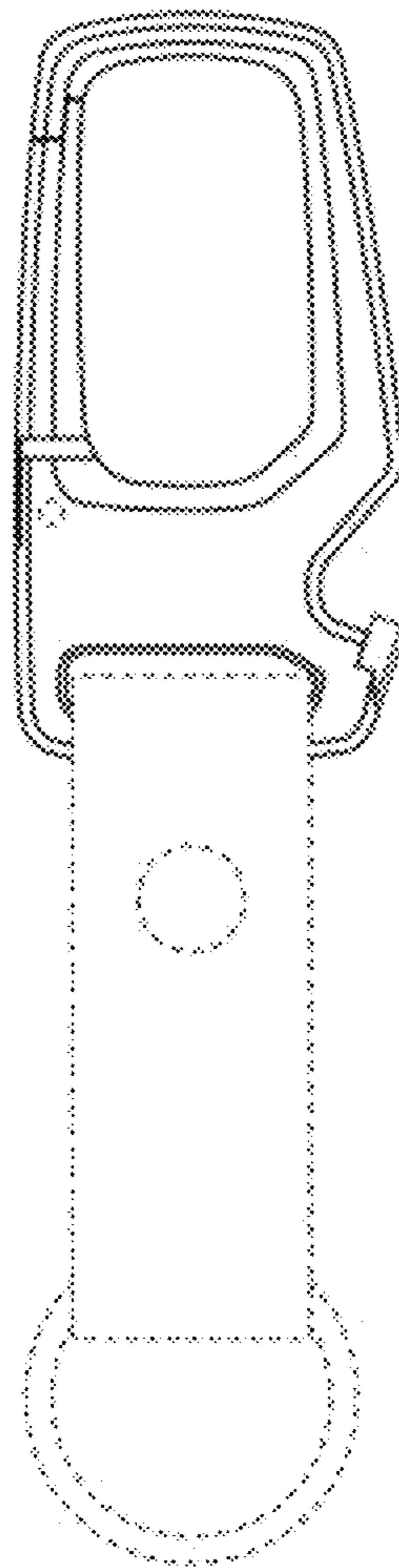


FIG. 8

