



US00D940538S

(12) **United States Design Patent**
Karius et al.

(10) **Patent No.:** **US D940,538 S**
(45) **Date of Patent:** **** Jan. 11, 2022**

- (54) **BEAM POCKET**
- (71) Applicant: **BEAM POCKET LLC**, Denver, CO (US)
- (72) Inventors: **Paul Karius**, Denver, CO (US); **Peter Monroe**, Denver, CO (US)
- (73) Assignee: **Beam Pocket LLC**, Denver, CO (US)
- (**) Term: **15 Years**
- (21) Appl. No.: **29/707,888**
- (22) Filed: **Oct. 1, 2019**
- (51) **LOC (13) Cl.** **08-05**
- (52) **U.S. Cl.**
USPC **D8/354**
- (58) **Field of Classification Search**
USPC D8/371, 373, 353, 354, 355, 349, 381;
D6/312, 672, 559; D25/61, 55, 133, 134,
D25/135
CPC H01R 13/6675; H01R 13/73; H01R 24/62;
F16B 45/00; F16M 13/02; H02J 7/0045
See application file for complete search history.

- D681,973 S * 5/2013 Gibbs D6/686
- D712,176 S * 9/2014 Tamilarasan D6/515
- 8,827,235 B1 * 9/2014 Fisher, III E04G 13/00
249/35
- D750,908 S * 3/2016 Hickman D6/300
- D788,016 S * 5/2017 Blincow D12/320
- 9,758,963 B2 * 9/2017 Kawai E04C 3/32
- D856,532 S * 8/2019 Bates D25/62
- D912,496 S * 3/2021 Fox D8/354

(Continued)

Primary Examiner — Janice Patyk
(74) *Attorney, Agent, or Firm* — Dorsey & Whitney LLP

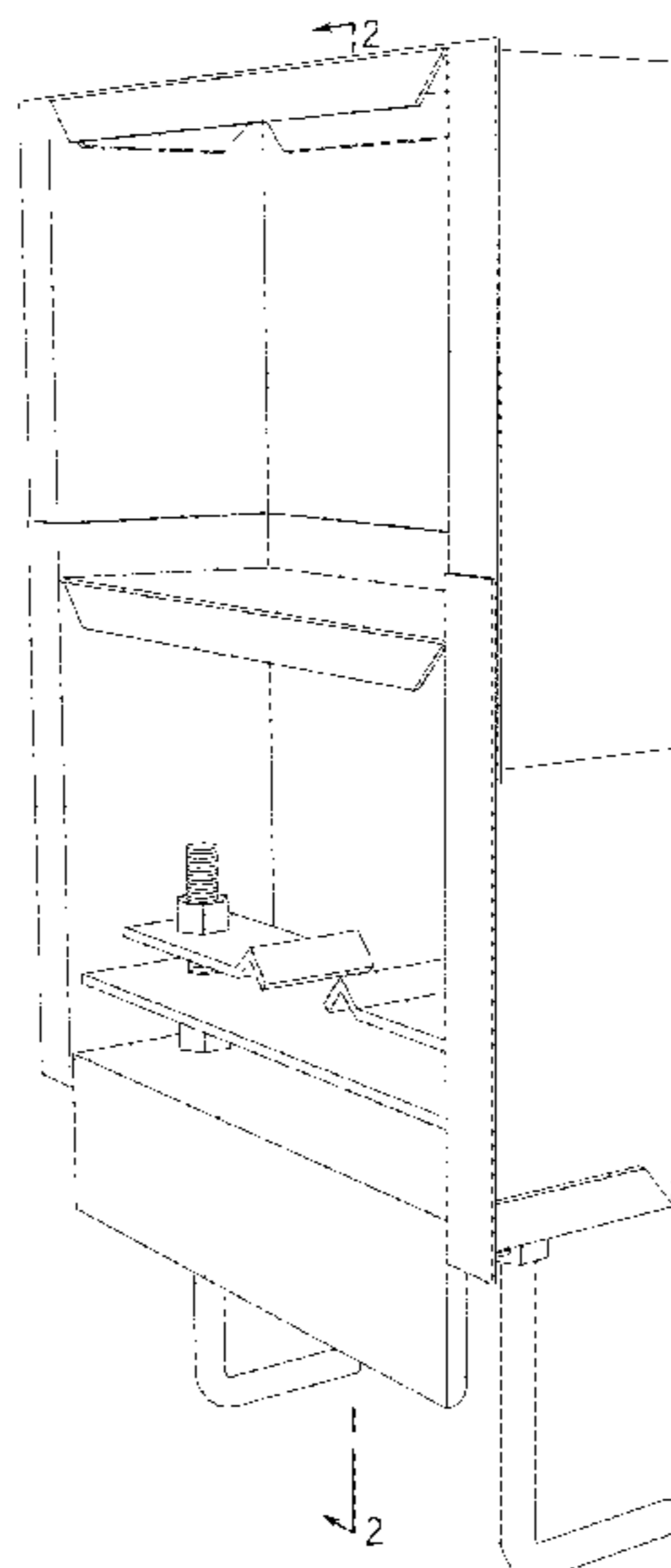
(57) **CLAIM**

The ornamental design for a beam pocket, as shown and described.

DESCRIPTION

FIG. 1 is a front perspective view of a beam pocket, showing our new design;
 FIG. 2 is a cross-section view of FIG. 1;
 FIG. 3 is a top plan view of FIG. 1;
 FIG. 4 is a bottom view of FIG. 1;
 FIG. 5 is a front view of FIG. 1;
 FIG. 6 is a rear view of FIG. 1;
 FIG. 7 is a right view of FIG. 1;
 FIG. 8 is a front, top, right perspective view of FIG. 1, shown with an inserted beam and parts removed;
 FIG. 9 is a front view of FIG. 8;
 FIG. 10 is a rear view of FIG. 8;
 FIG. 11 is a left view of FIG. 8;
 FIG. 12 is a top plan view of FIG. 8;
 FIG. 13 is a bottom view of FIG. 8; and,
 FIG. 14 is a front, top, right perspective view of FIG. 1, shown with a small inserted beam, with parts removed and in an alternate position of use.
 The broken lines are shown for the purpose of illustrating environmental subject matter of an exemplary beam and form no part of the claimed design.

1 Claim, 12 Drawing Sheets



(56)

References Cited

U.S. PATENT DOCUMENTS

10,961,727 B2 * 3/2021 Rosales E04G 17/14
D915,796 S * 4/2021 Koplent-Zinyk D6/656.19
2008/0042037 A1 * 2/2008 Orr A47B 23/042
248/462
2008/0282641 A1 * 11/2008 Sackett E04B 7/045
52/715
2018/0258631 A1 * 9/2018 Pearson E04B 1/2403

* cited by examiner

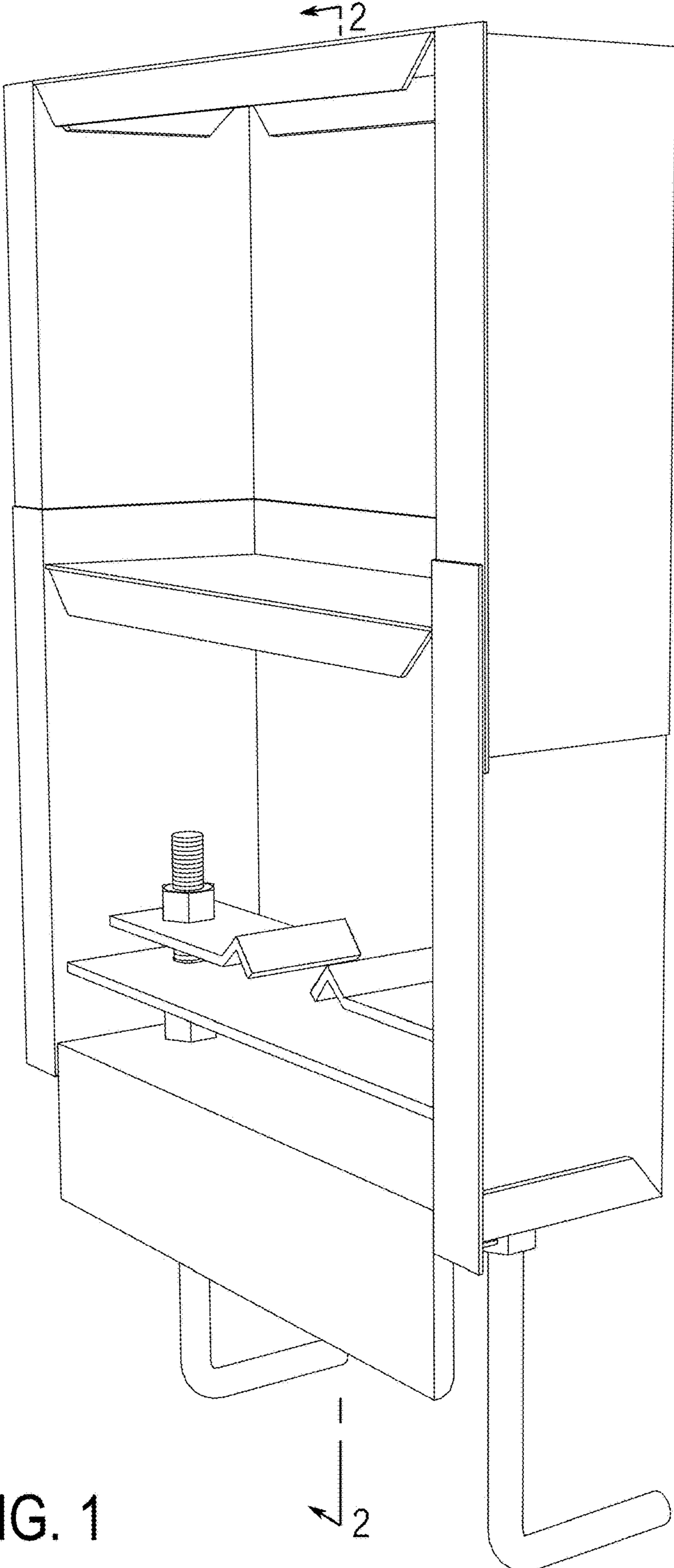


FIG. 1

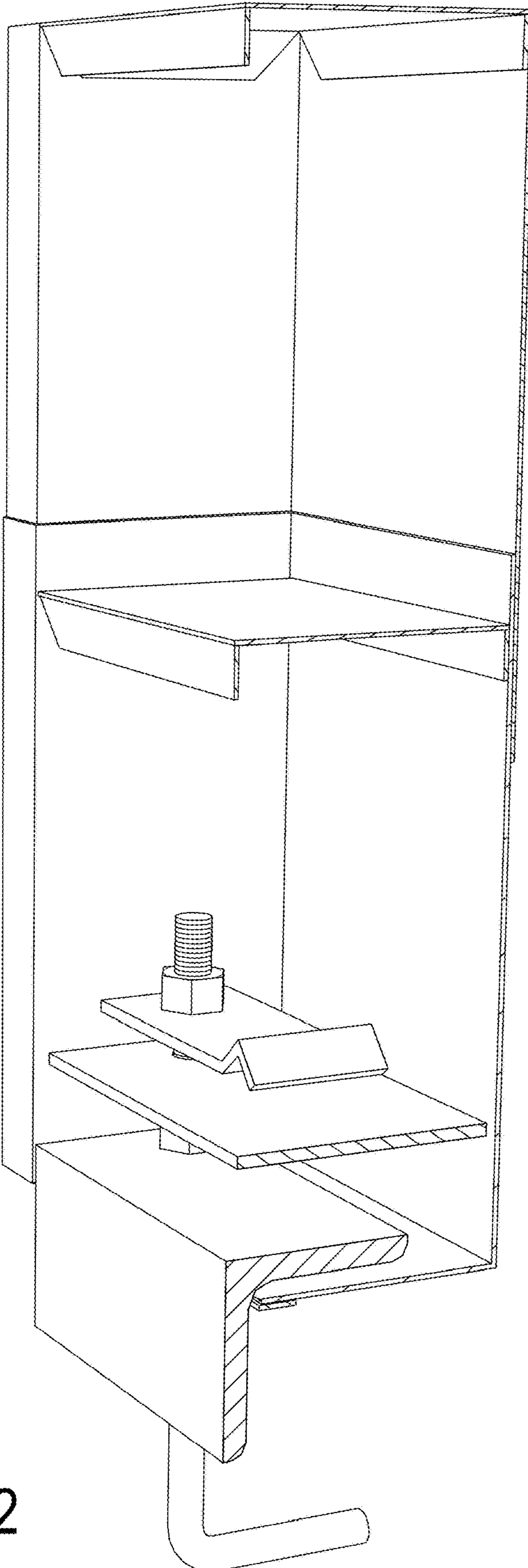


FIG. 2

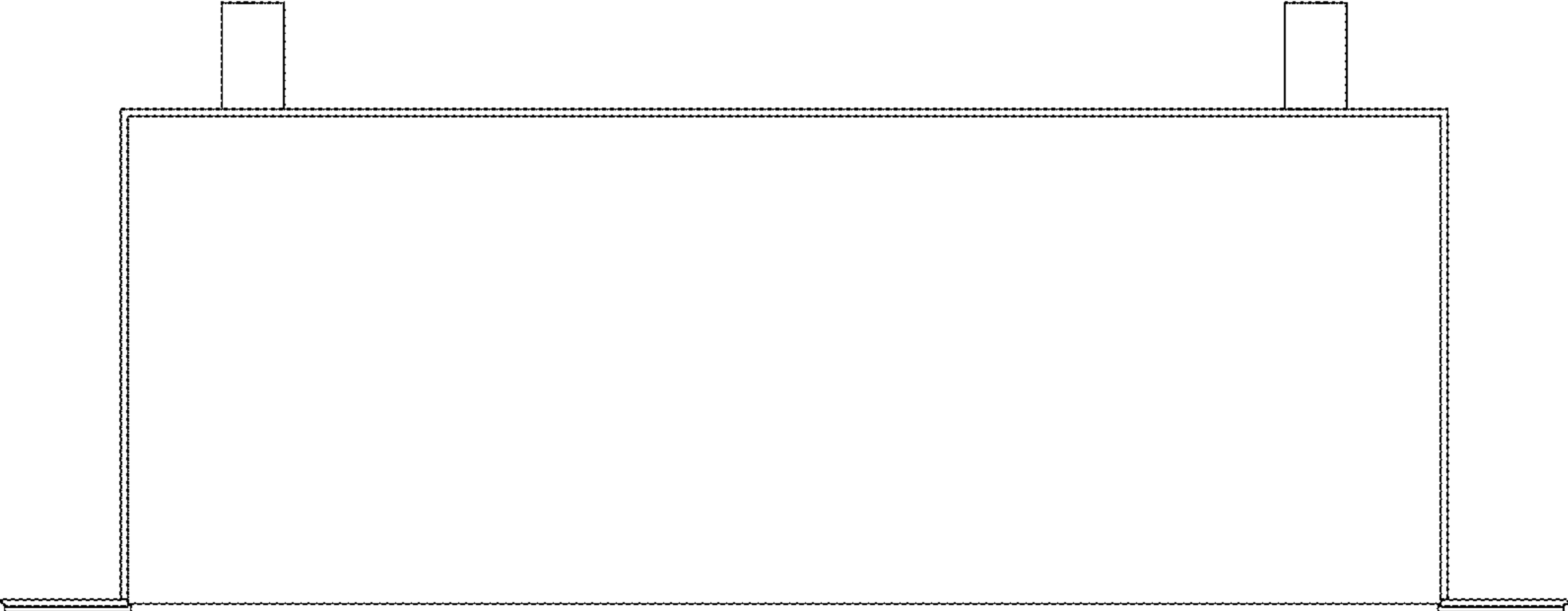


FIG. 3

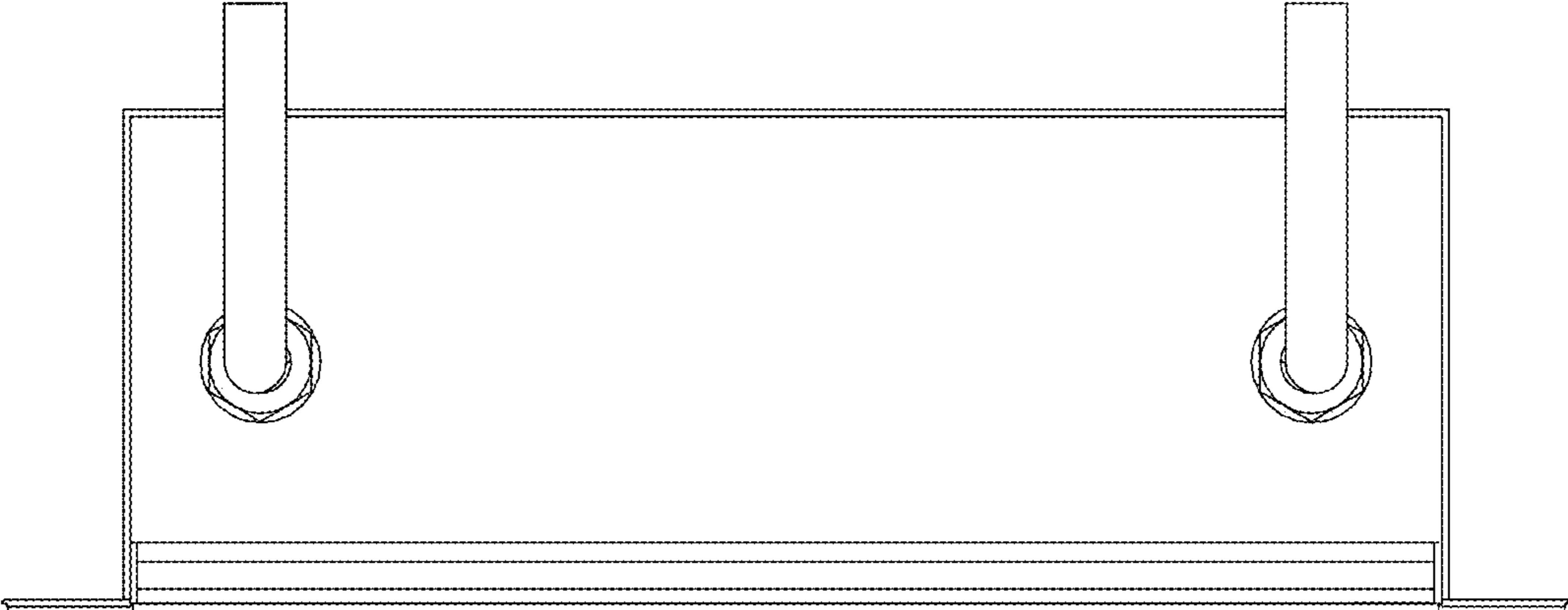


FIG. 4

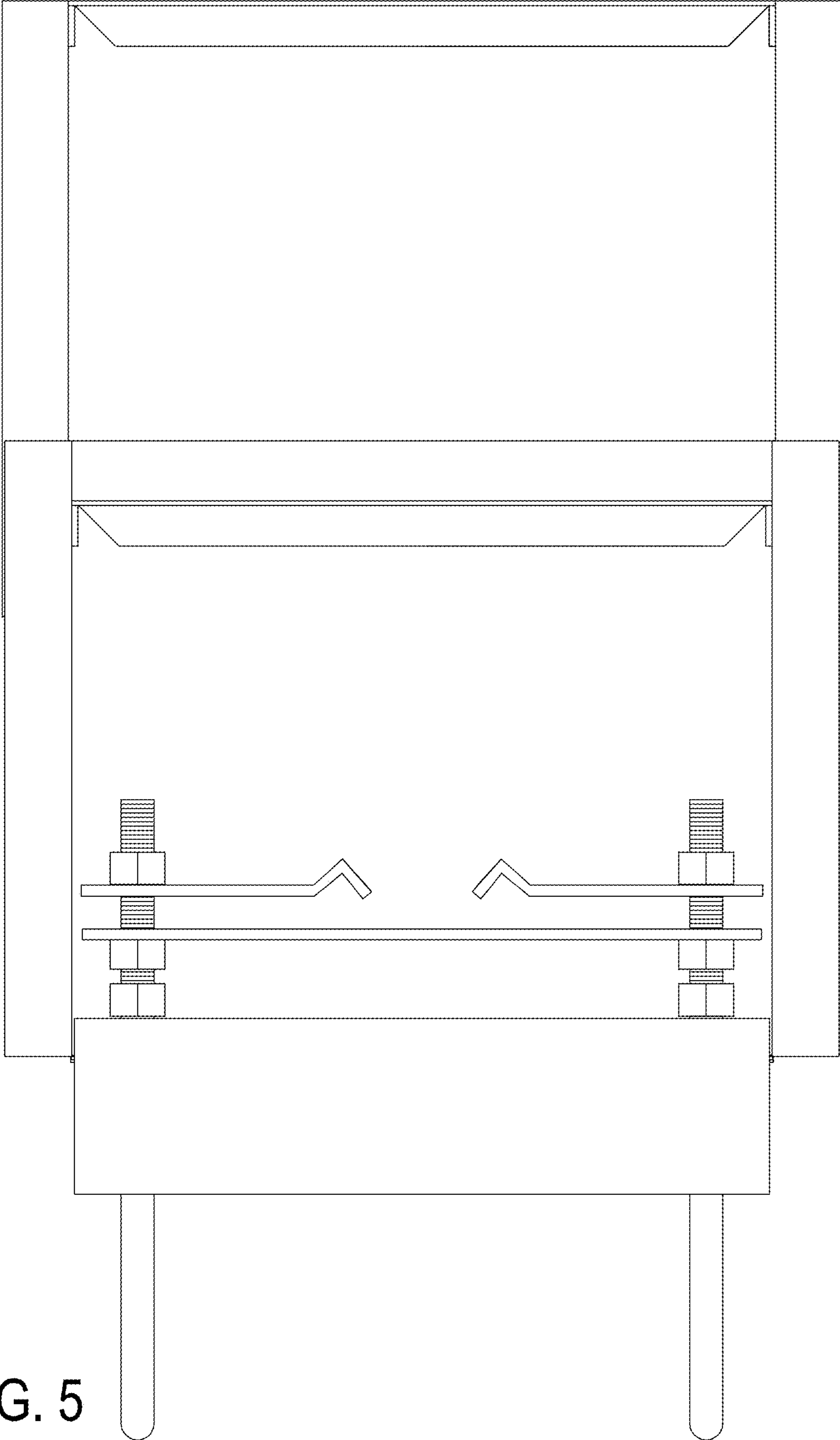


FIG. 5

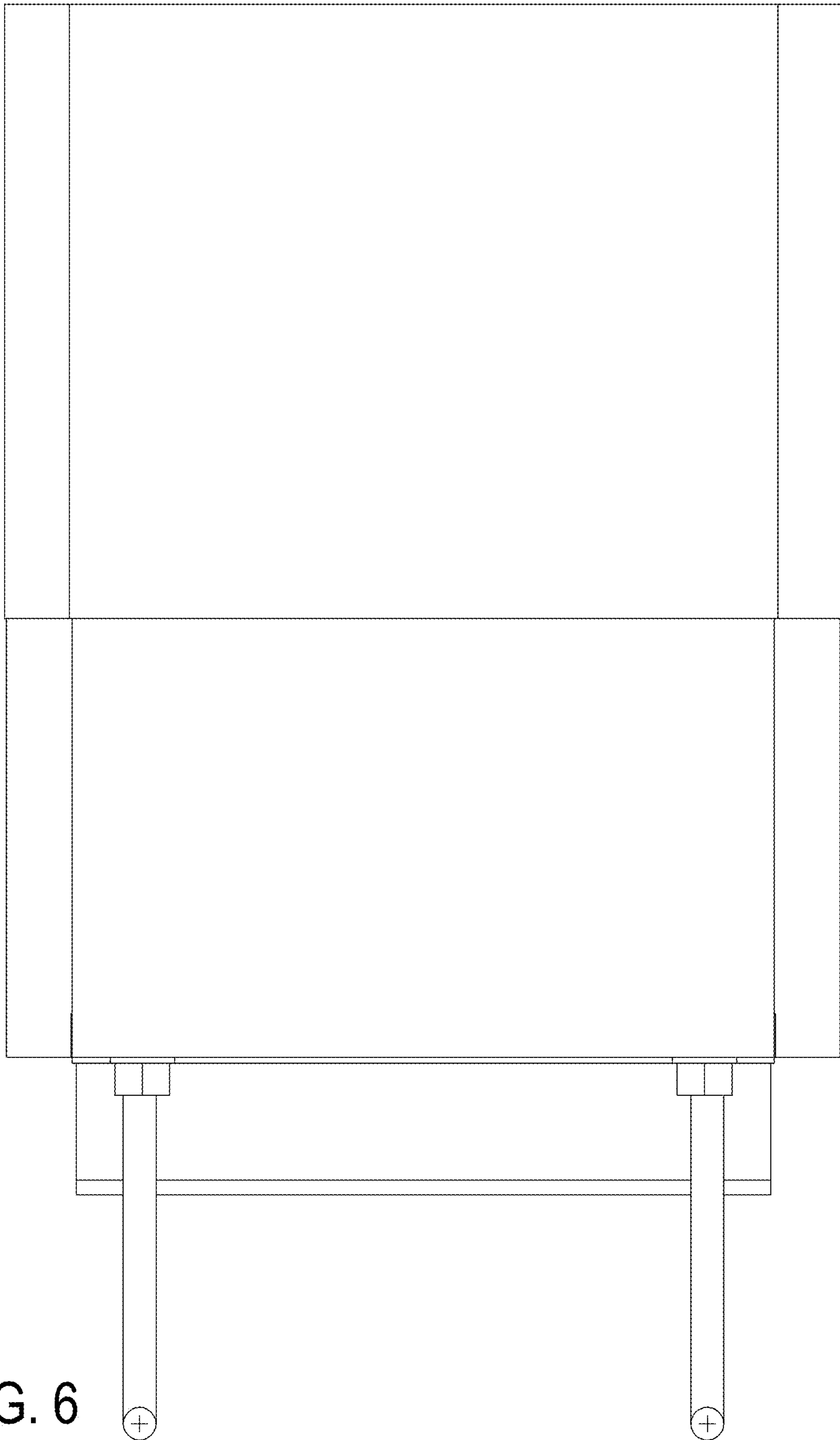


FIG. 6

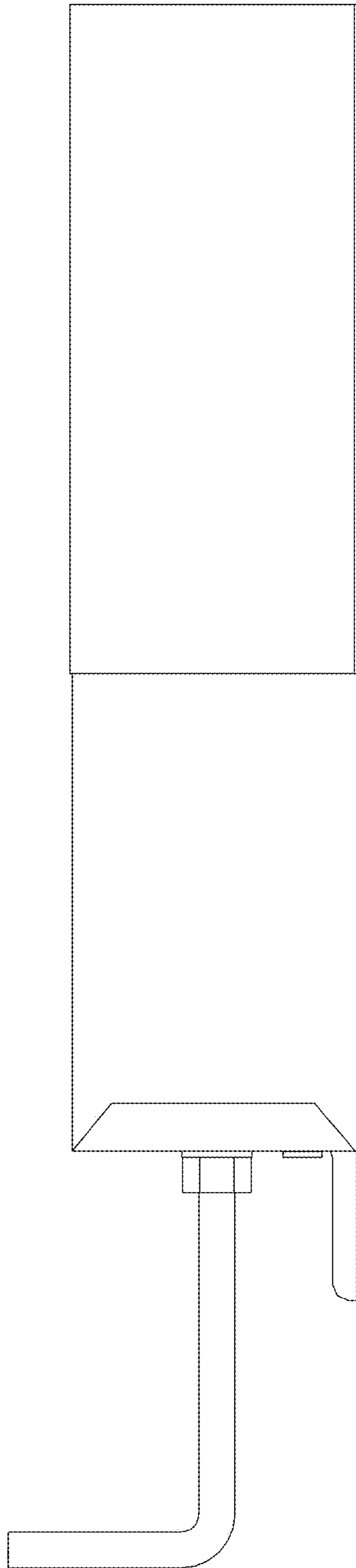


FIG. 7

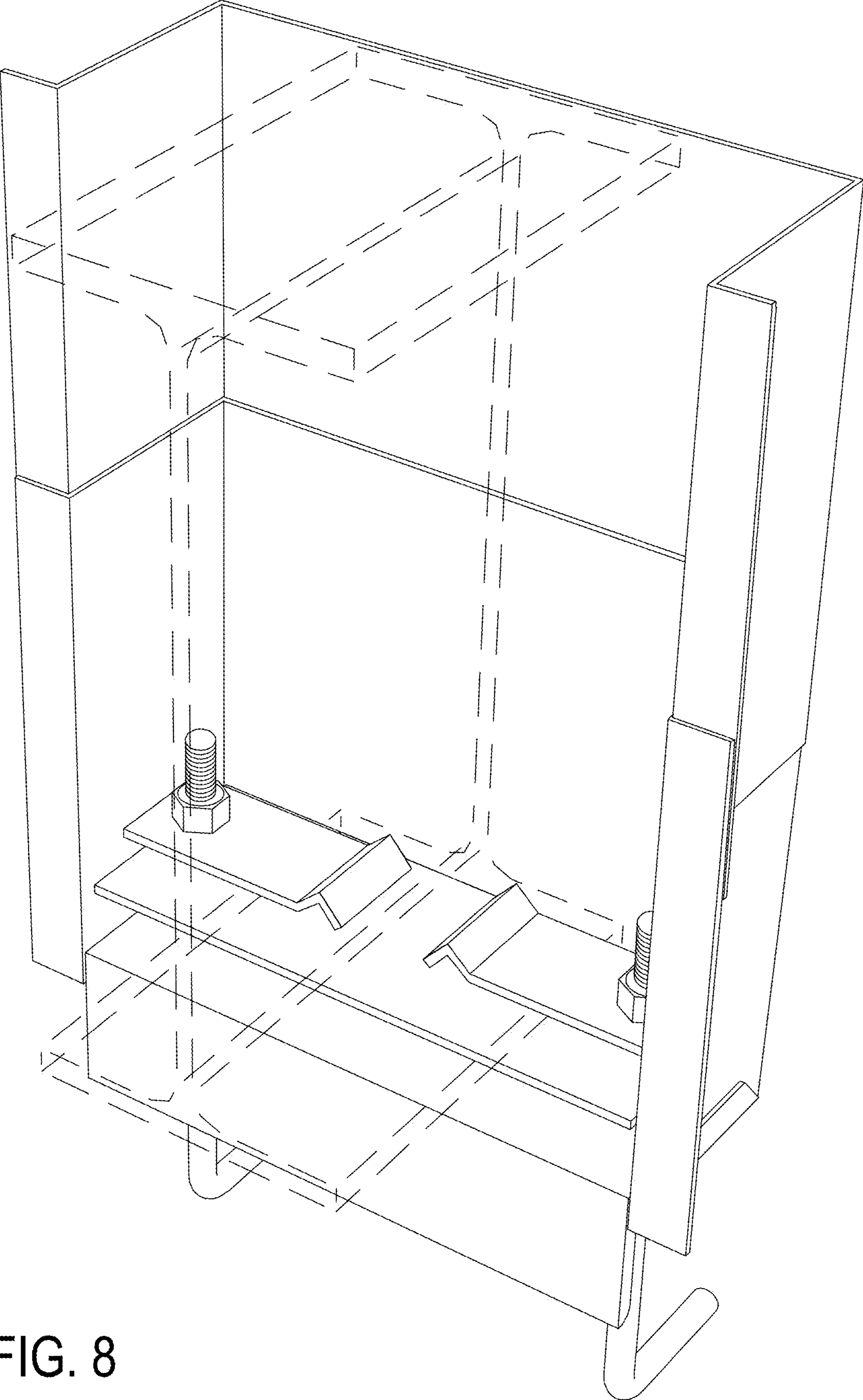


FIG. 8

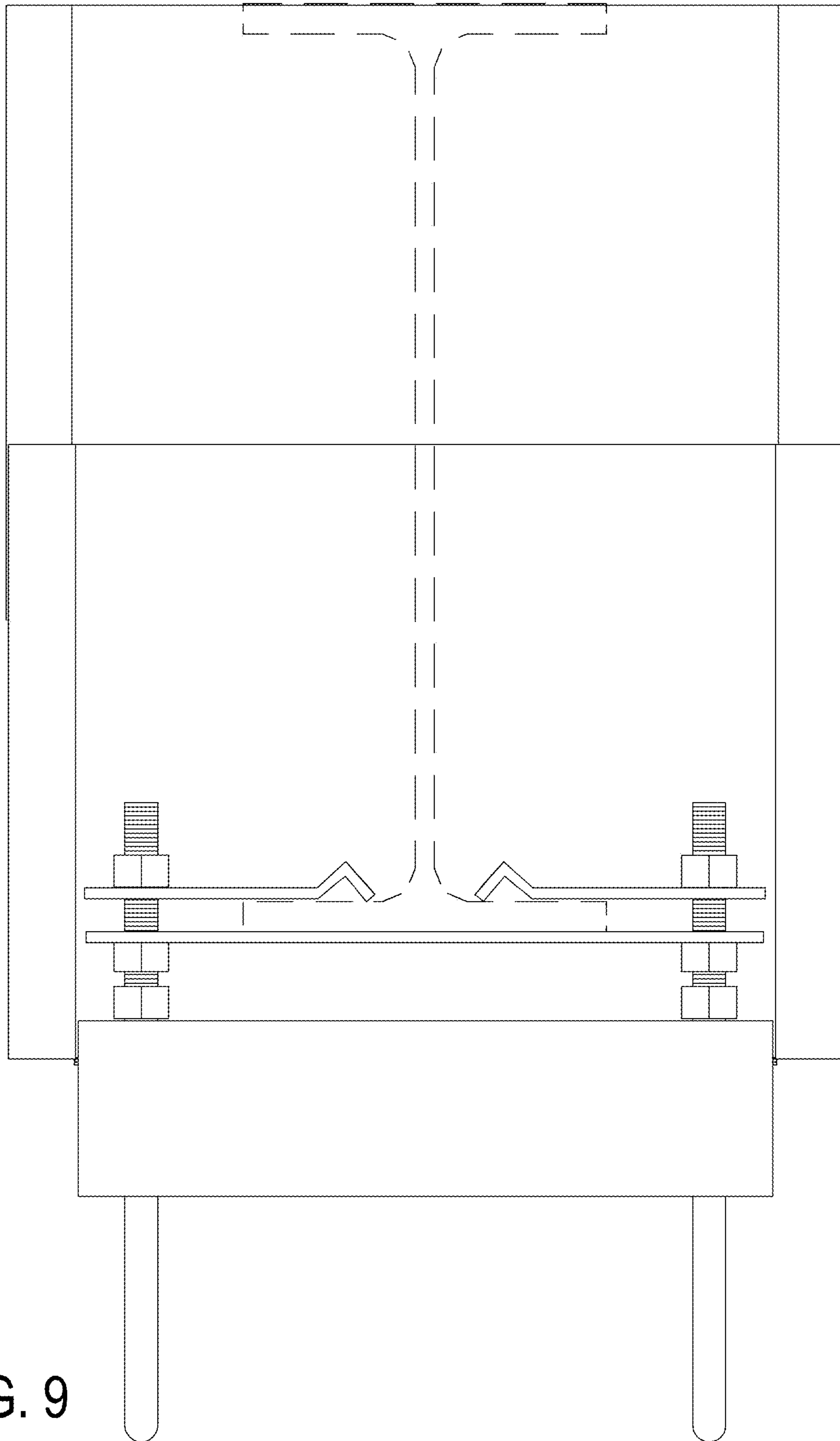


FIG. 9

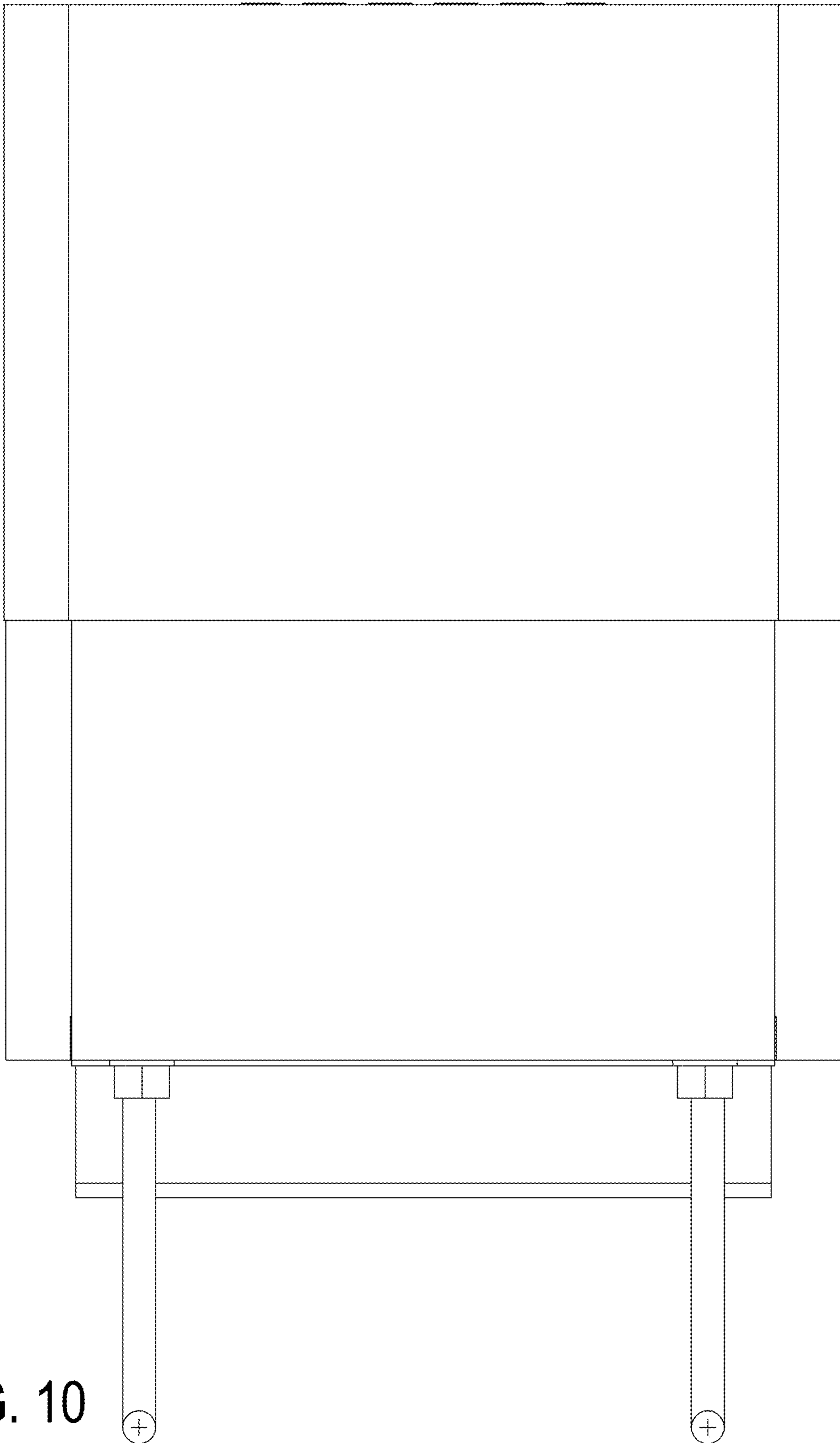


FIG. 10

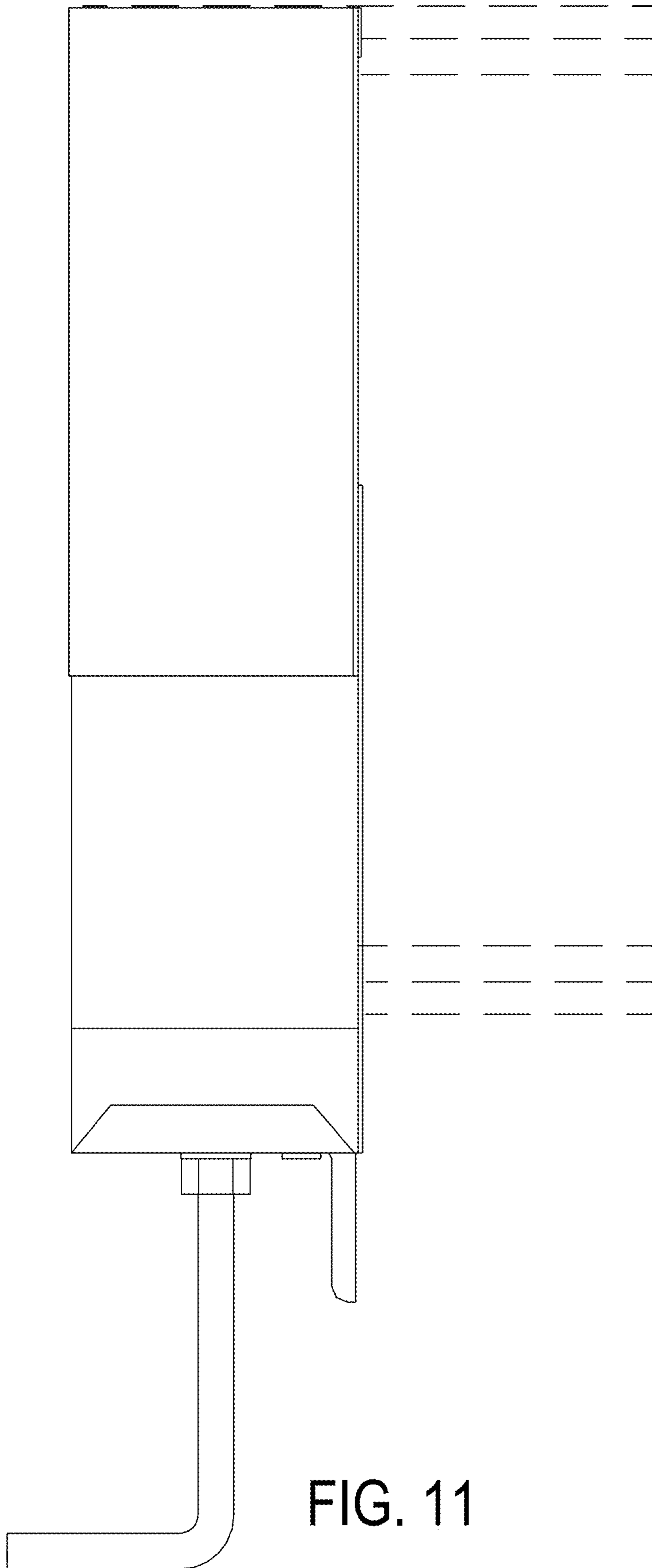


FIG. 11

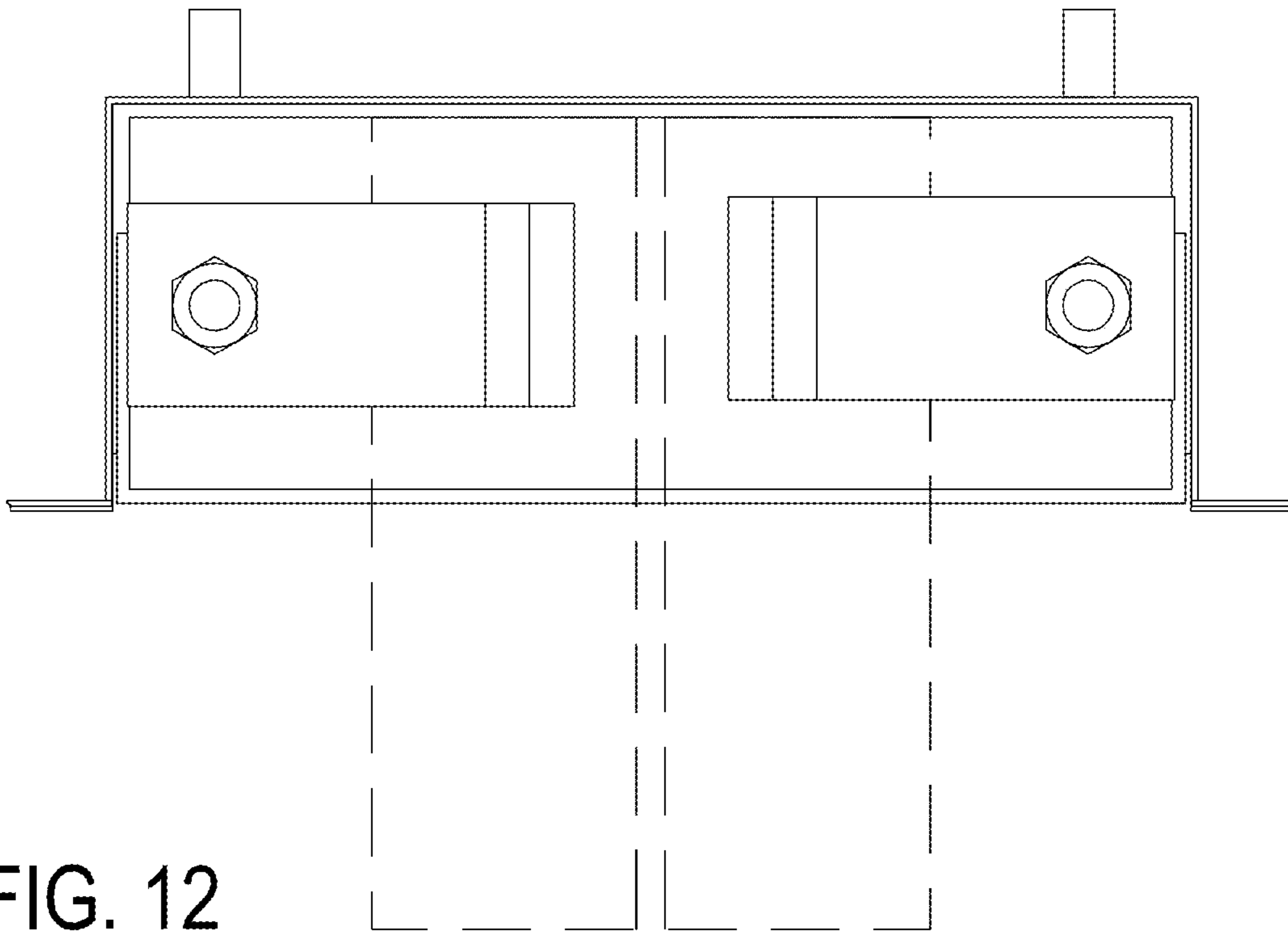


FIG. 12

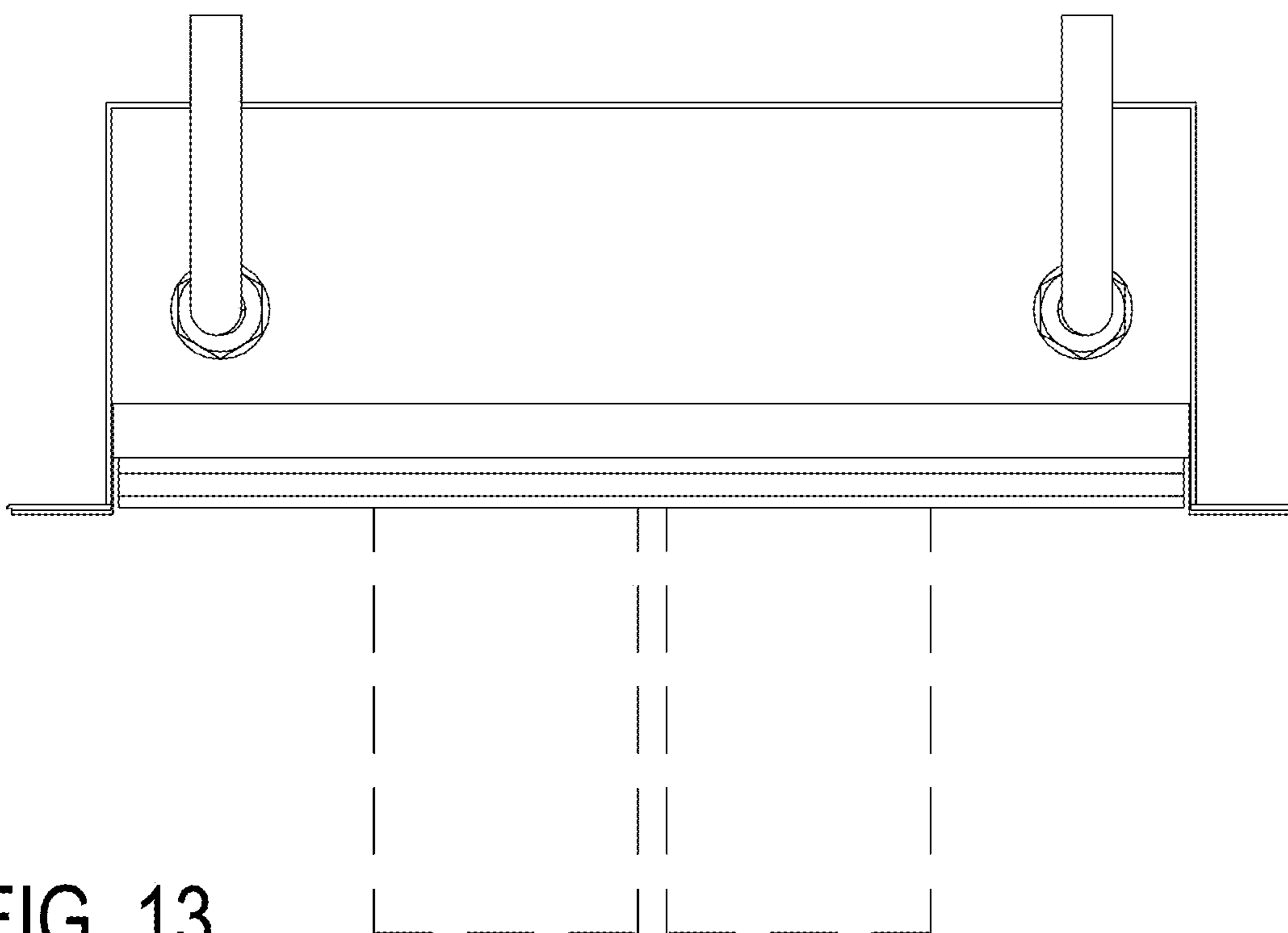


FIG. 13

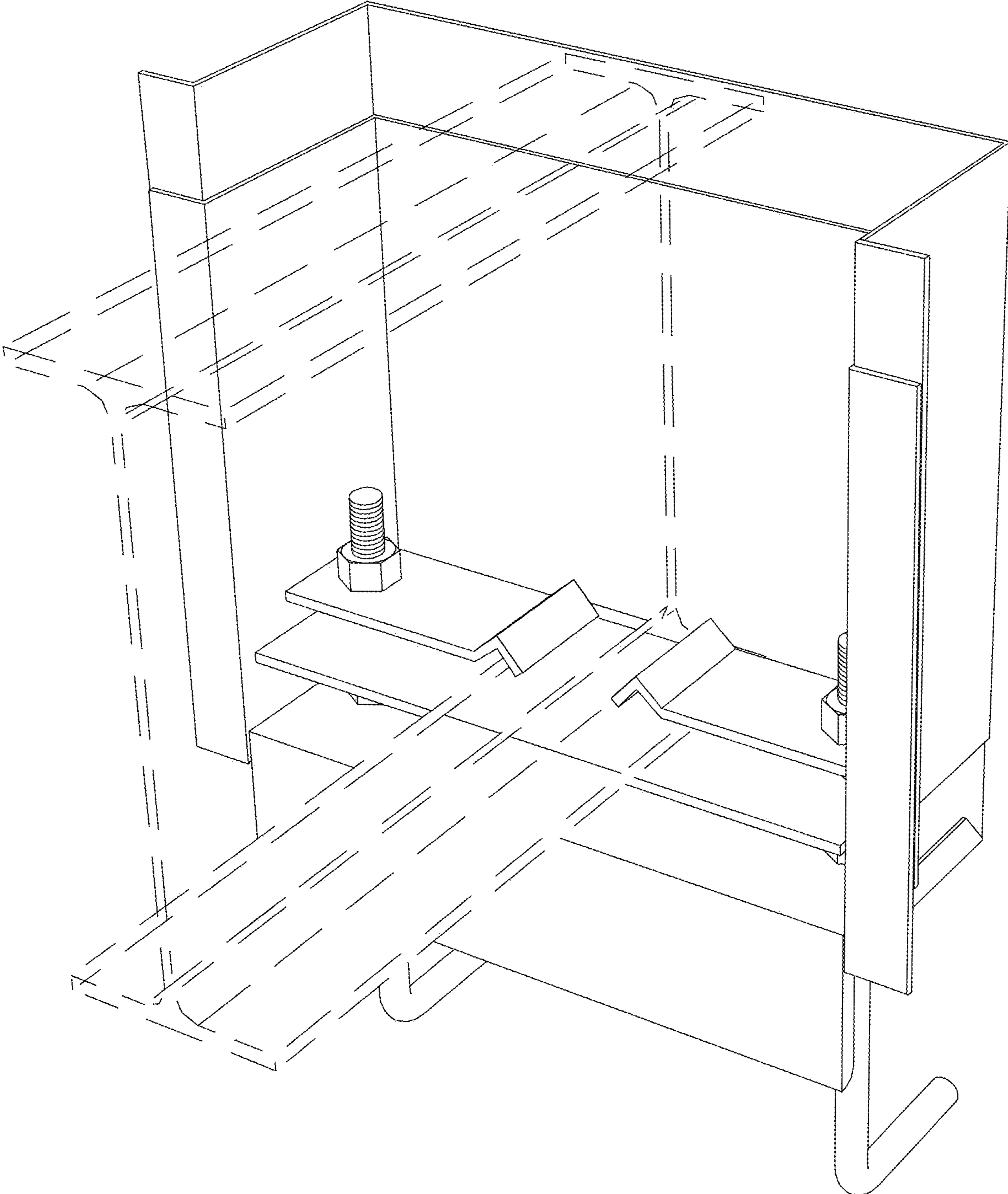


FIG. 14