



US00D940536S

(12) **United States Design Patent** (10) **Patent No.:** **US D940,536 S**
Ryu (45) **Date of Patent:** **** Jan. 11, 2022**

(54) **JIG FOR ATTACHING DISPLAY PROTECTION FILM**

FOREIGN PATENT DOCUMENTS

(71) Applicant: **Whitestone Co., Ltd.**, Cheonan-si (KR)

WO 2016008130 A1 1/2016

(72) Inventor: **Jong-Yun Ryu**, Seongnam-si (KR)

OTHER PUBLICATIONS

(73) Assignee: **Whitestone Co., Ltd.**, Cheonan-si (KR)

LOCA instructional YouTube Video, <https://www.youtube.com/watch?v=H18Sk61D4ls>, published on Nov. 8, 2015.

(**) Term: **15 Years**

(Continued)

(21) Appl. No.: **29/696,905**

Primary Examiner — Michael C Stout

(22) Filed: **Jul. 2, 2019**

Assistant Examiner — Benjamin M Weeks

(30) **Foreign Application Priority Data**

(74) *Attorney, Agent, or Firm* — Bishop, Diehl & Lee, Ltd.

Mar. 7, 2019 (KR) 30-2019-0010340

(51) **LOC (13) Cl.** **08-08**

(57) **CLAIM**

(52) **U.S. Cl.**

The ornamental design for a jig for attaching display protection film, as shown and described.

USPC **D8/349**

(58) **Field of Classification Search**

DESCRIPTION

USPC D8/354, 355, 330, 331, 333, 380;
D6/672, 684, 680, 683.1, 703.5

CPC F16B 5/00; F16B 5/02; F16B 12/50
See application file for complete search history.

FIG. 1 is a perspective view of a jig for attaching display protection film;

(56) **References Cited**

U.S. PATENT DOCUMENTS

D380,139 S * 6/1997 Scott D8/349

D610,434 S * 2/2010 Watts D8/349

D687,441 S * 8/2013 Janzen D14/447

D729,611 S * 5/2015 Schmidt D8/349

9,169,422 B2 10/2015 O'Hare

9,248,628 B2 2/2016 Honeycutt

9,868,274 B2 1/2018 Kim

D817,149 S * 5/2018 Ralph D8/349

D831,462 S * 10/2018 McSweyn D8/349

10,091,341 B1 * 10/2018 Cha G06F 1/1626

10,100,238 B2 10/2018 Lu

2003/0121601 A1 * 7/2003 Tajima G09F 7/18

156/254

FIG. 2 is a front view of the jig for attaching display protection film as shown in FIG. 1;

FIG. 3 is a rear view of the jig for attaching display protection film as shown in FIG. 1;

FIG. 4 is a left side view of the jig for attaching display protection film as shown in FIG. 1;

FIG. 5 is a right side view of the jig for attaching display protection film as shown in FIG. 1; and,

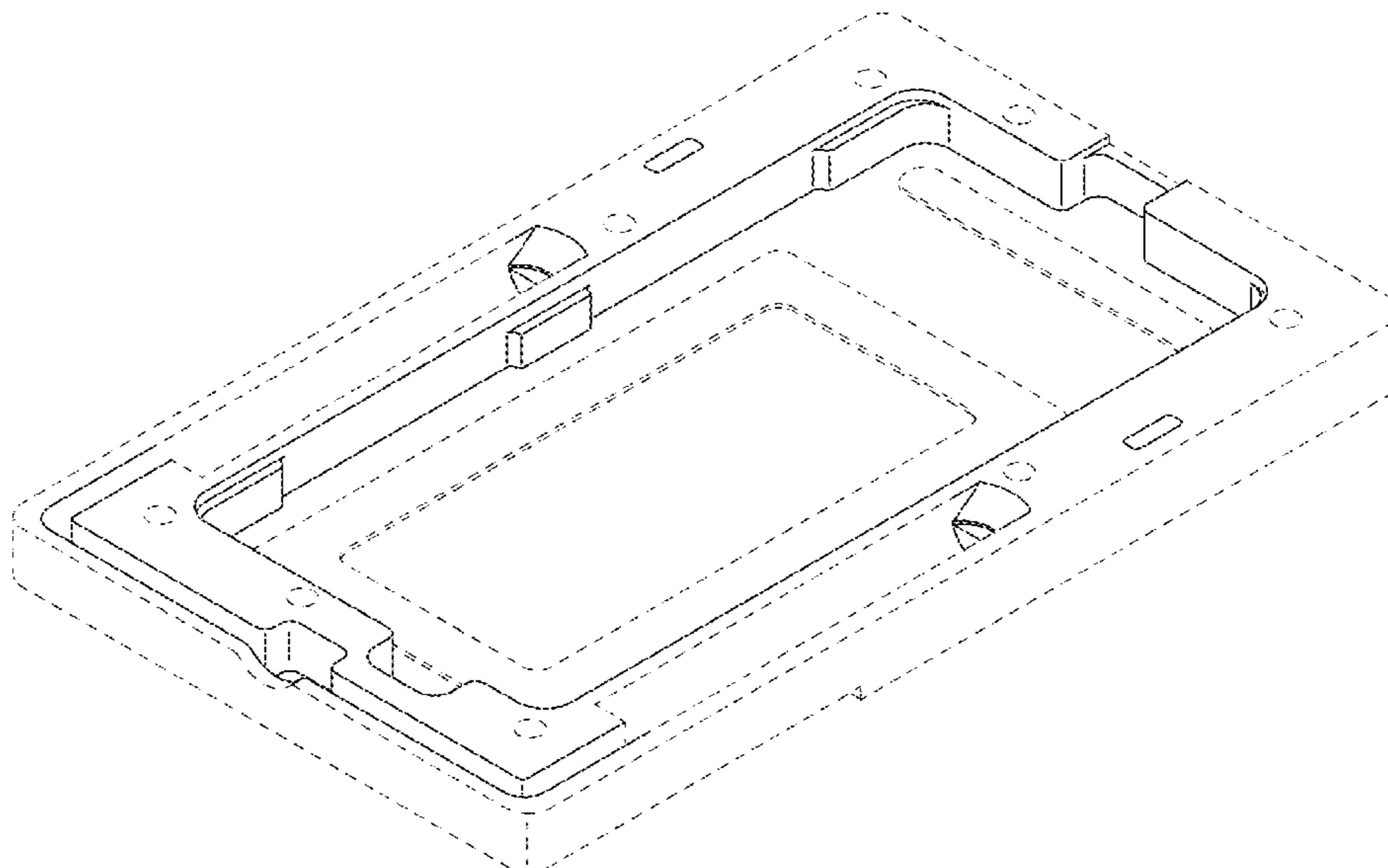
FIG. 6 is a top plan view of the jig for attaching display protection film as shown in FIG. 1; and,

FIG. 7 is a bottom view of the jig for attaching display protection film as shown in FIG. 1.

Any components in the drawings shown in broken lines are for illustrative purposes only and form no part of the claimed design.

(Continued)

1 Claim, 7 Drawing Sheets



(56)

References Cited

U.S. PATENT DOCUMENTS

2012/0229300 A1* 9/2012 Fu F16M 11/10
340/901
2014/0047708 A1* 2/2014 Chae B29C 63/0004
29/700
2015/0181345 A1* 6/2015 Cai H04R 9/06
381/412
2015/0201256 A1* 7/2015 Xu H04R 1/06
381/417
2015/0319535 A1* 11/2015 Xu H04R 7/18
381/412
2016/0009024 A1* 1/2016 Mason B29C 63/02
156/249
2017/0274635 A1* 9/2017 Lin G06F 1/1637

OTHER PUBLICATIONS

LOCA instructional YouTube Video, https://www.youtube.com/watch?v=bv_Bj6RY-Nc, published on Nov. 22, 2013.

LOCA instructional YouTube Video, <https://www.youtube.com/watch?v=e7pUESE2KE>, published on Apr. 24, 2014.

AmFilm's Full Screen (Edge to Edge) 3D Curved Tempered Glass Screen Protector for use with the Galaxy S6, Jul. 2015, available at <https://www.amazon.com/dp/B00ZEEXWHK#customerReviews>.

The Editorial Staff, Products on Display at Display Week 2012, May 1, 2012, SID 2012 International Symposium, Seminar, and Exhibition, available publicly at www.sid.org.

LOCA instructional YouTube Video, <https://www.youtube.com/watch?v=8e7pUESE2KE>, published on Apr. 24, 2014.

* cited by examiner

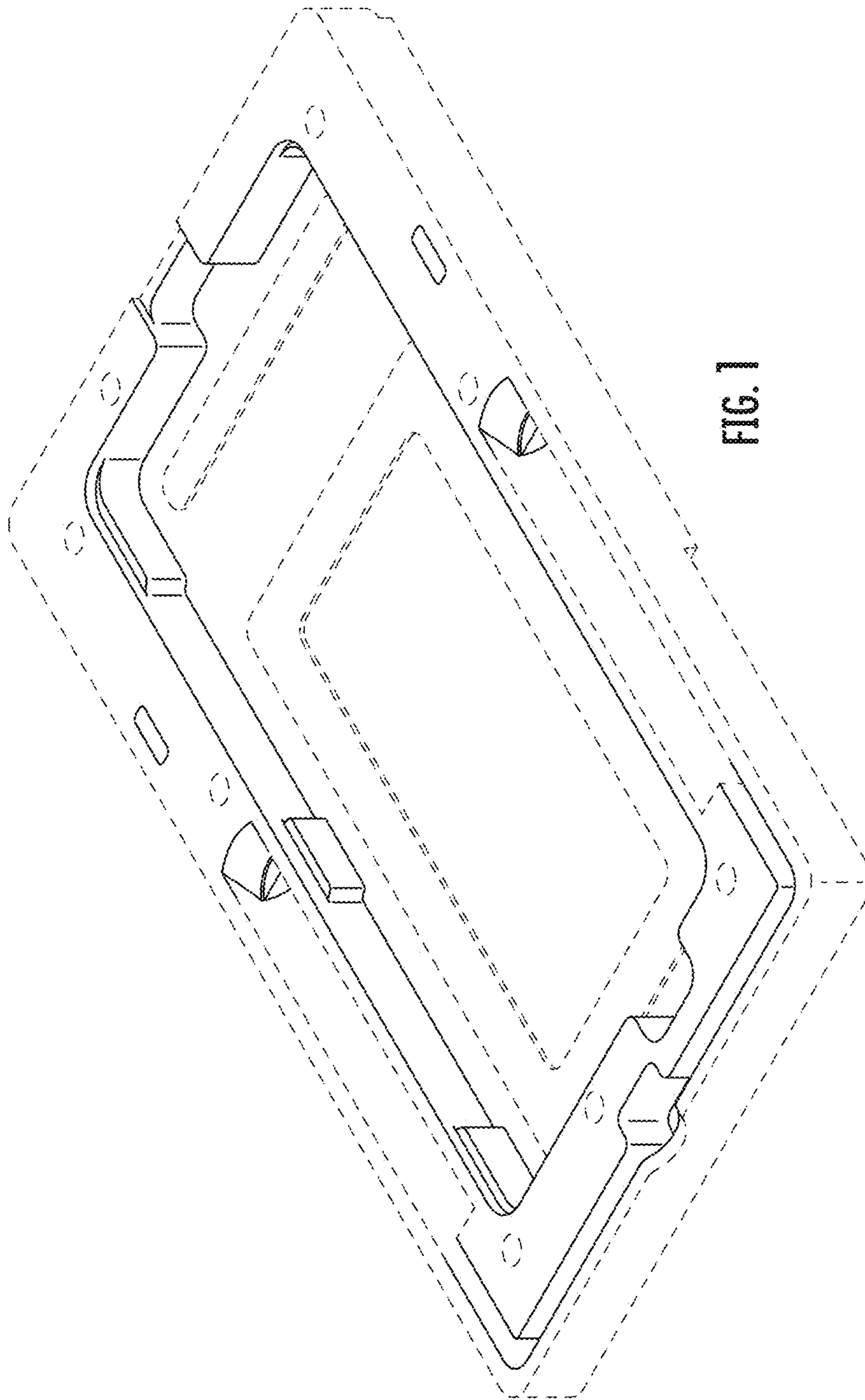


FIG. 1



FIG. 2

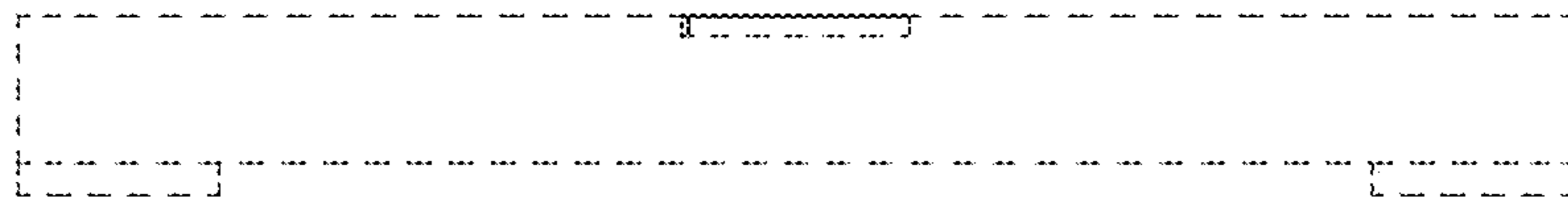


FIG. 3

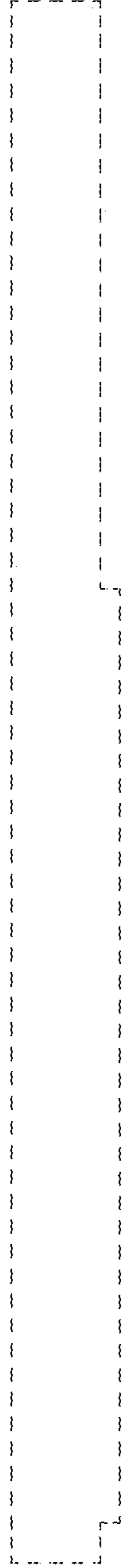


FIG. 4

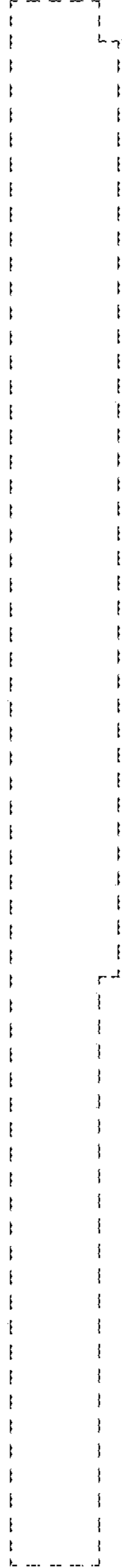


FIG. 5

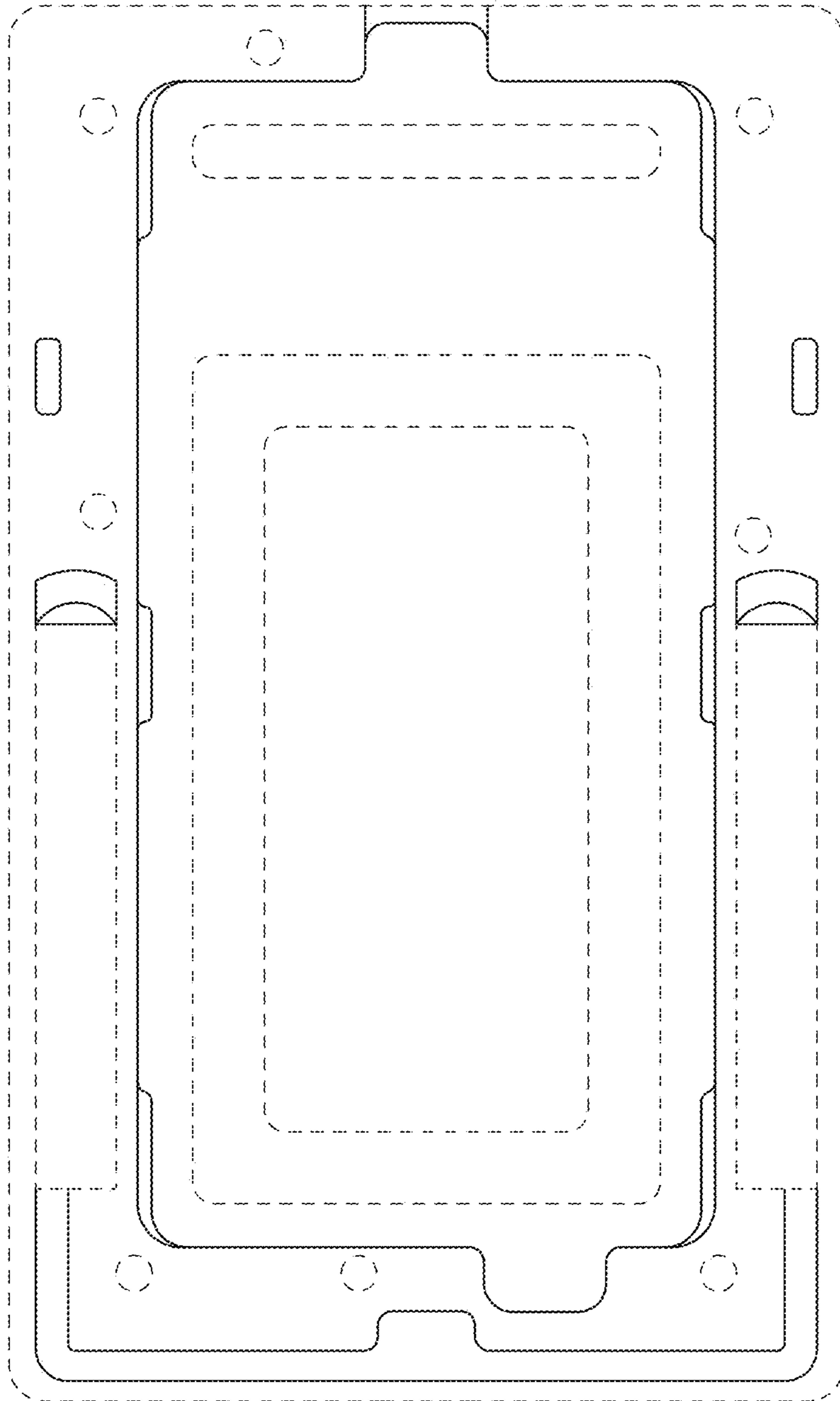


FIG. 6

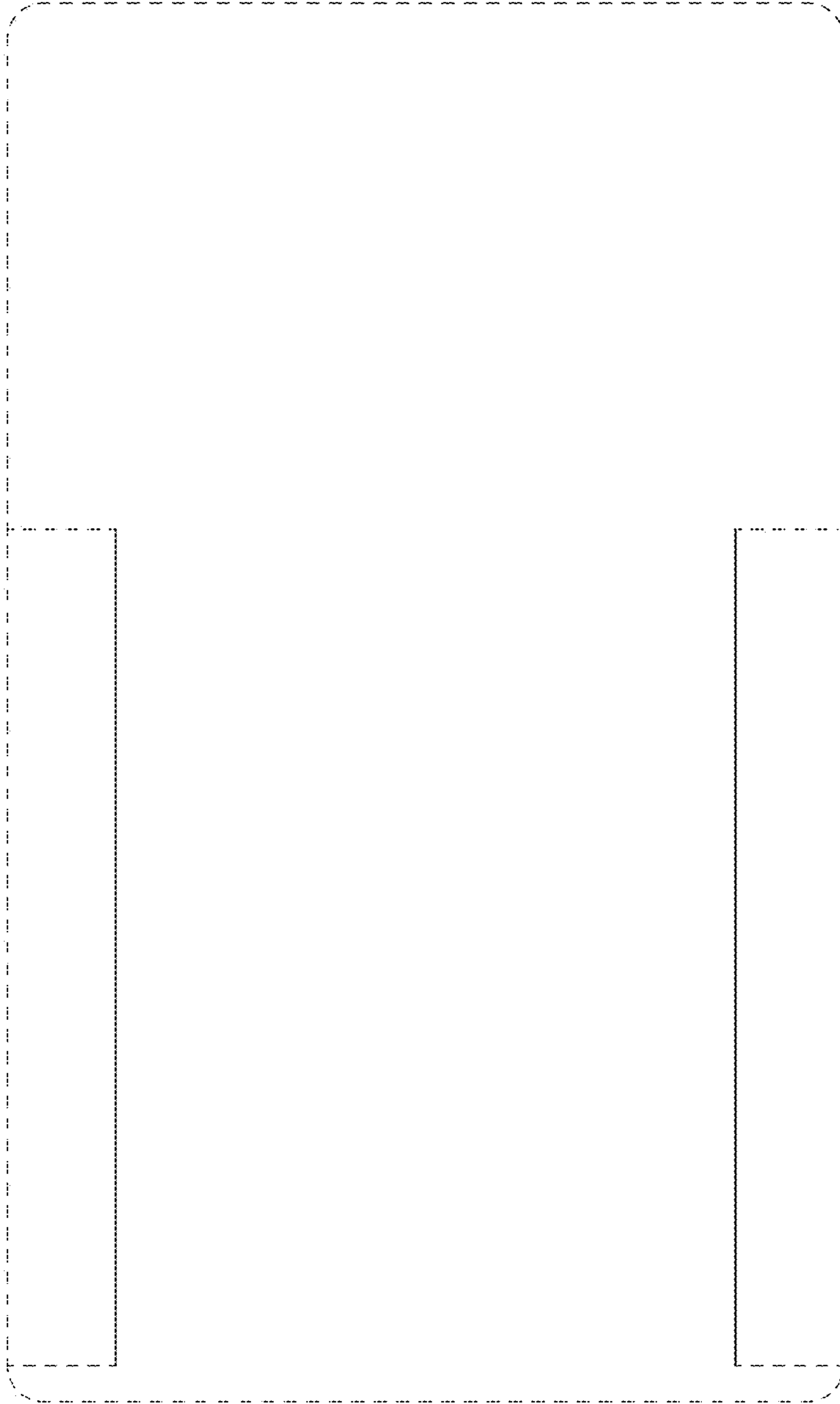


FIG. 7