



US00D940534S

(12) **United States Design Patent** (10) **Patent No.:** **US D940,534 S**
Xie (45) **Date of Patent:** **** Jan. 11, 2022**

(54) **DEADBOLT GUARD**
(71) Applicant: **Tingyi Xie**, Haolou Shi (CN)
(72) Inventor: **Tingyi Xie**, Haolou Shi (CN)
(**) Term: **15 Years**
(21) Appl. No.: **29/690,236**
(22) Filed: **May 7, 2019**
(51) **LOC (13) Cl.** **08-07**
(52) **U.S. Cl.**
USPC **D8/336; D8/343**
(58) **Field of Classification Search**
USPC D8/336, 338, 343-346, 300-302,
D8/306-329, 330-333; 70/91, 277, 336,
70/280, 14, 51, 52, 57.1, 67, 69, 78, 85,
70/86, 88, 141; 292/340-346, 180
CPC E05B 69/003; E05B 71/00; E05B 73/005;
E05B 17/142; E05B 47/0011; E05B
47/00; E05B 41/00; E05B 47/06; E05B
47/0001; E05B 47/0615; E05B 47/0012;
E05B 15/02; E05B 65/466; E05B 65/469;
E05B 13/001; E05B 13/007; E05B 13/00;
E05B 13/10; E05B 65/44; E05B 65/46;
E05B 65/462; E05B 65/463; E05B
65/461; E05B 65/464; E05B 51/00; E05B
35/00; E05B 39/00; E05B 17/14; E05B
2047/0086; E05B 15/00; E05B 17/2084;
E05B 2017/2096; E05B 13/002; E05B
13/04; E05B 63/0013; E05B 1/003; E05B
63/00; E05B 1/00; B62H 5/001; Y10T
70/5155; Y10T 70/5199; Y10T 70/7921;
A47F 3/00; A47F 3/005; A47F 3/007;
A47F 7/024; G07C 9/00563; G07C
2047/0086; B21D 22/20; E05C 19/18;
E05Y 2800/266; E05Y 2600/51; E05Y
2900/60; E05D 11/1014
See application file for complete search history.

(56) **References Cited**
U.S. PATENT DOCUMENTS
1,761,131 A * 6/1930 Kupfer E05B 13/04
70/429
4,605,251 A * 8/1986 Finlay E05C 19/18
292/147

D329,801 S * 9/1992 Pearson D8/336
5,313,812 A * 5/1994 Eklund E05B 13/04
70/416
D353,532 S * 12/1994 Miller D8/341
(Continued)

FOREIGN PATENT DOCUMENTS

CN 305667912 * 9/2019
EM 003048560-0001 * 3/2016

OTHER PUBLICATIONS

Muin, Deadbolt Guard, Date first available Jan. 7, 2020, [online]retrieved Feb. 16, 2021,available from https://www.amazon.com/MUIN-Deadbolt-Security-Personal-Protection/dp/B083K818W8/ref=sr_1_6dchild=1&keywords=Deadbolt+Guard&qid=1613510049&sr=8-6 (Year: 2020).*

(Continued)

Primary Examiner — Keli L Hill
Assistant Examiner — Sara S Sahneh
(74) *Attorney, Agent, or Firm* — Rumit Ranjit Kanakia

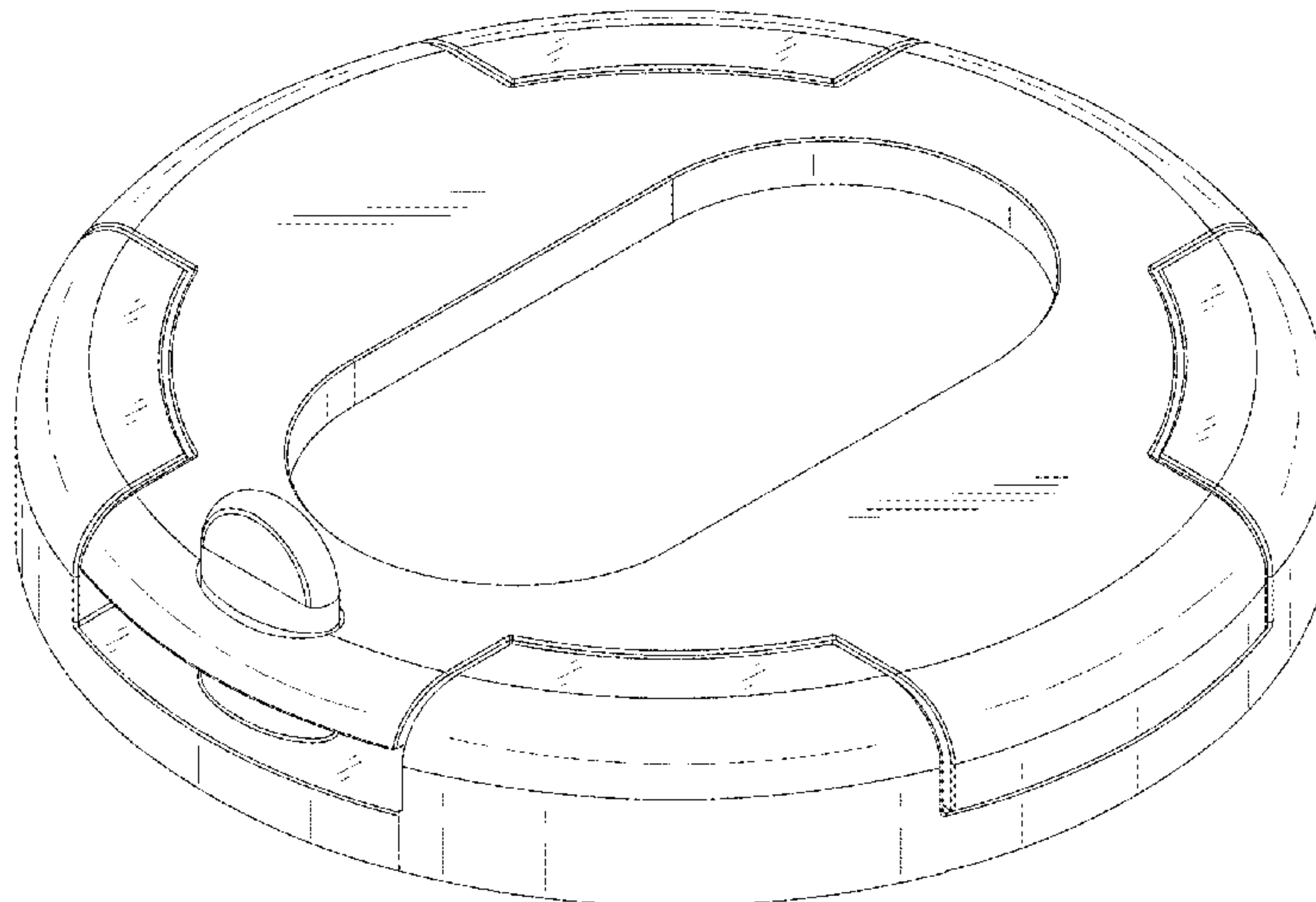
(57) **CLAIM**

The ornamental design for a deadbolt guard, as shown and described.

DESCRIPTION

FIG. 1 is a perspective view of a deadbolt guard embodying the new design;
FIG. 2 is a top view thereof;
FIG. 3 is a bottom view thereof;
FIG. 4 is a left side view thereof;
FIG. 5 is a right side view thereof;
FIG. 6 is a front view thereof; and,
FIG. 7 is a back view thereof.

1 Claim, 7 Drawing Sheets



(56)

References Cited

U.S. PATENT DOCUMENTS

6,447,139 B1 * 9/2002 Wilkes E05B 17/10
362/100
6,742,369 B1 * 6/2004 Veillette E05B 13/002
292/288
7,216,903 B1 * 5/2007 Kent E05B 13/002
292/288
7,264,285 B1 * 9/2007 Ross E05B 13/002
24/67.3
7,753,417 B1 * 7/2010 Koughan E05B 13/002
292/288
7,802,828 B2 * 9/2010 Hopkins E05B 13/001
292/288
8,794,041 B2 * 8/2014 Daniels E05B 17/2007
70/211
D773,280 S * 12/2016 Rathman D8/330
10,221,587 B1 * 3/2019 Bergman E05B 13/002
D896,062 S * 9/2020 Bertani D8/338
D933,452 S * 10/2021 Wesley D8/336
2004/0256862 A1 * 12/2004 Wong E05B 13/002
292/165
2009/0013739 A1 * 1/2009 Vyskocil, Jr. E05B 13/04
70/416
2010/0199727 A1 * 8/2010 Varney E05B 13/00
70/209
2012/0222459 A1 * 9/2012 Glazar E05B 13/04
70/91

2013/0000369 A1 * 1/2013 Davis E05B 13/04
70/431
2014/0245798 A1 * 9/2014 Beckman E05B 13/002
70/14
2018/0209171 A1 * 7/2018 Morrison E05C 19/18
2021/0079694 A1 * 3/2021 Emma, Jr. E05B 35/00
2021/0095495 A1 * 4/2021 Wesley E05B 1/003

OTHER PUBLICATIONS

Flip Guard, FG 1000, Date first available Jan. 14, 2014, [online]retrieved Feb. 16, 2021,available from https://www.amazon.com/Flip-Guard-FG-1000PB/dp/B00HZD58CK/ref=sxin_9_ac_d_pmQWJvdmUgJDI1ac_d_pm&cv_ct_cx=Deadbolt+Guard&dchild=1&keywords=Deadbolt+Guard&pd_rd_i=B00HZD58CK&pd_rd_r=8cad4377-8a1a-4ad0-85da- (Year: 2014).*
https://www.amazon.com/Dead-Secure-Satin-Nickel-Finish/dp/B00A3XQ9YU/ref=sr_1_7?dchild=1&keywords=Deadbolt+Guard&qid=1613510178&sr=8-7Arc Link Products, Dead Bolt Secure, Date first available May 22, 2017, [online]retrieved Feb. 16, 2021,available from (Year: 2017).*
LOKmate, Deadbolt Guard Door, Date first available Jan. 1, 2015, [online]retrieved Feb. 16, 2021 ,available from https://www.amazon.com/LOKmate-Deadbolt-Guard-Door-Security/dp/B00RMA8E4U/ref=psdc_511306_t2_B00A3XQ9YU (Year: 2015).*

* cited by examiner

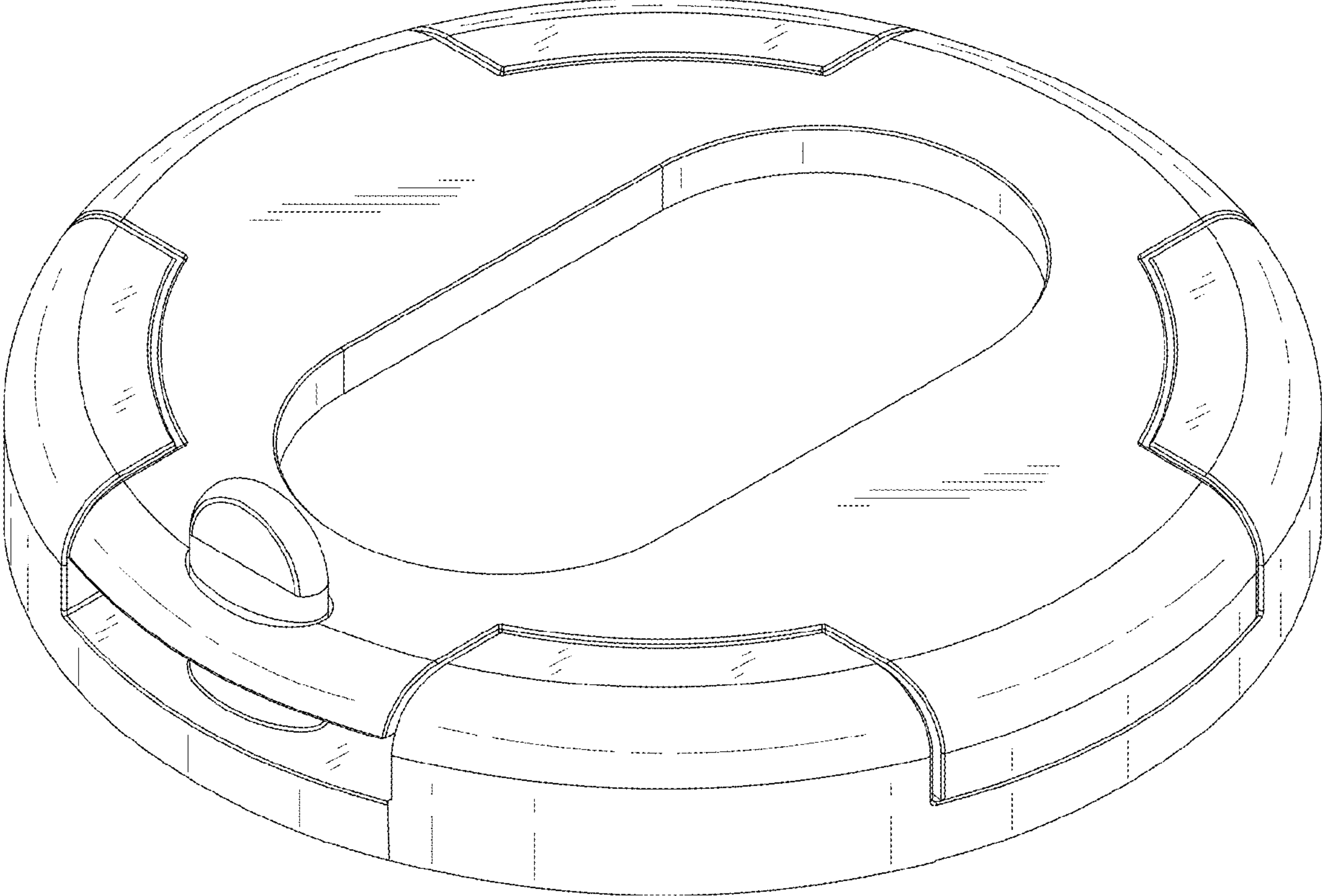


FIG. 1

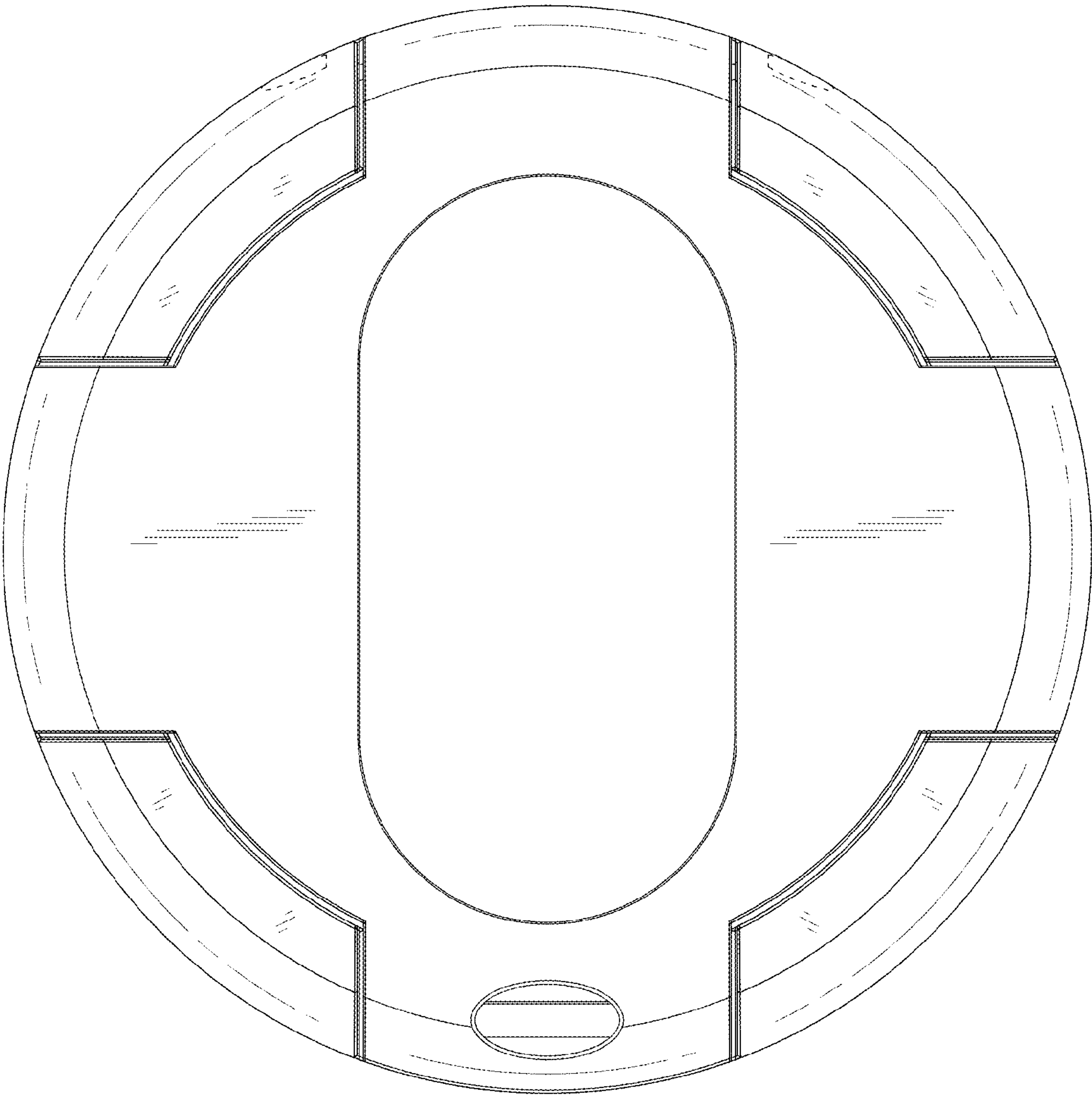


FIG. 2

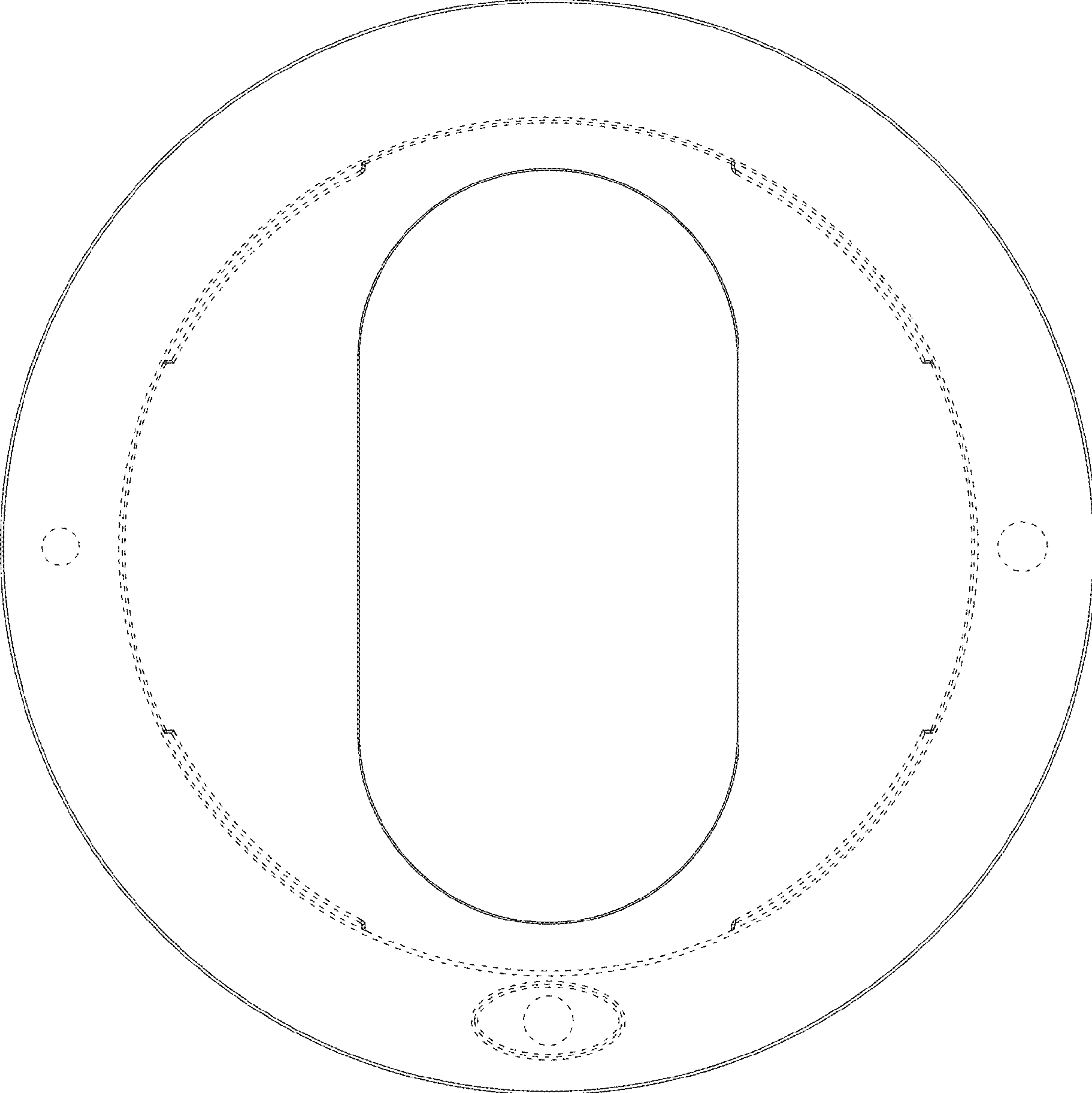


FIG. 3

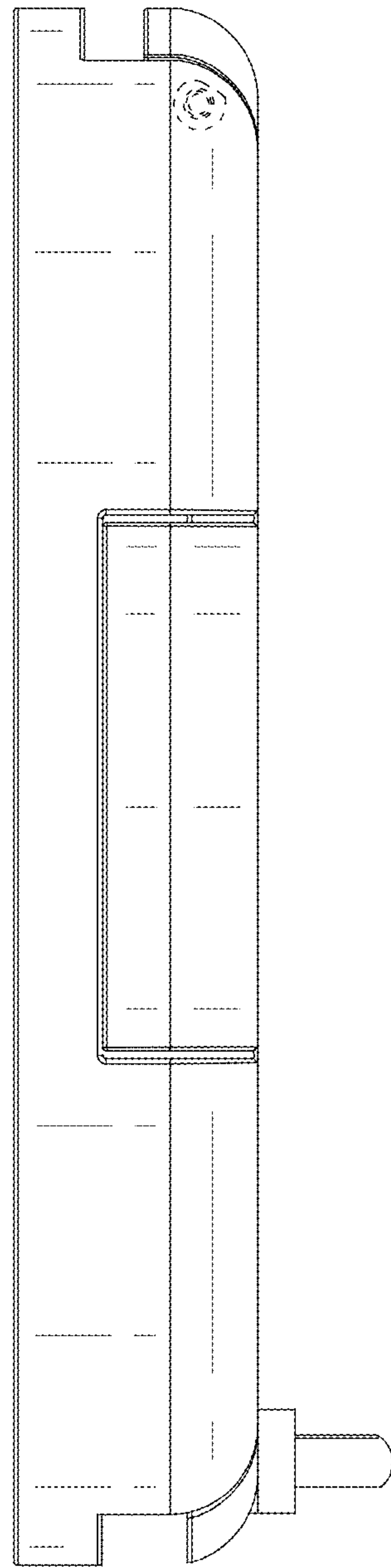


FIG. 4

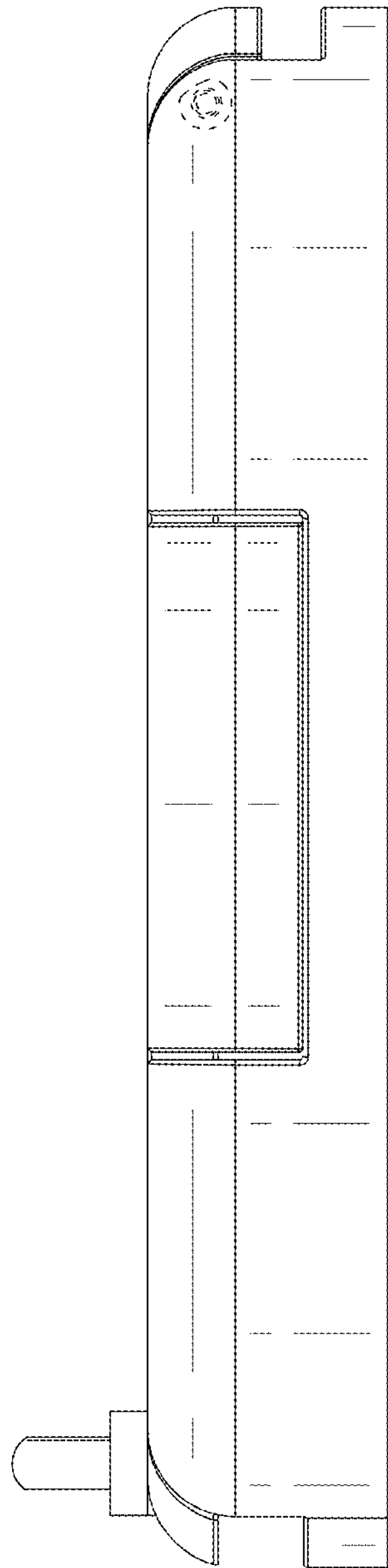


FIG. 5

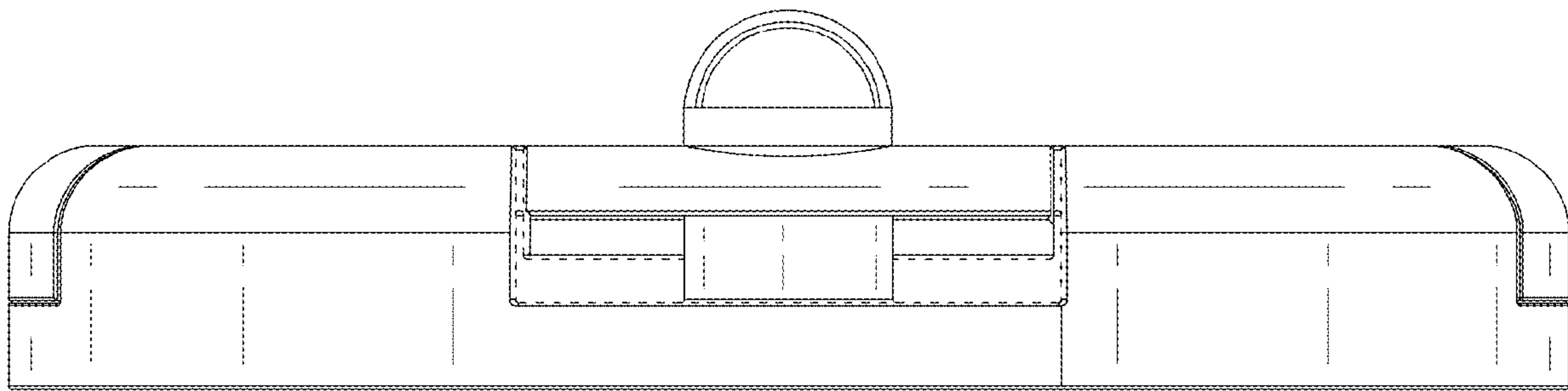


FIG. 6

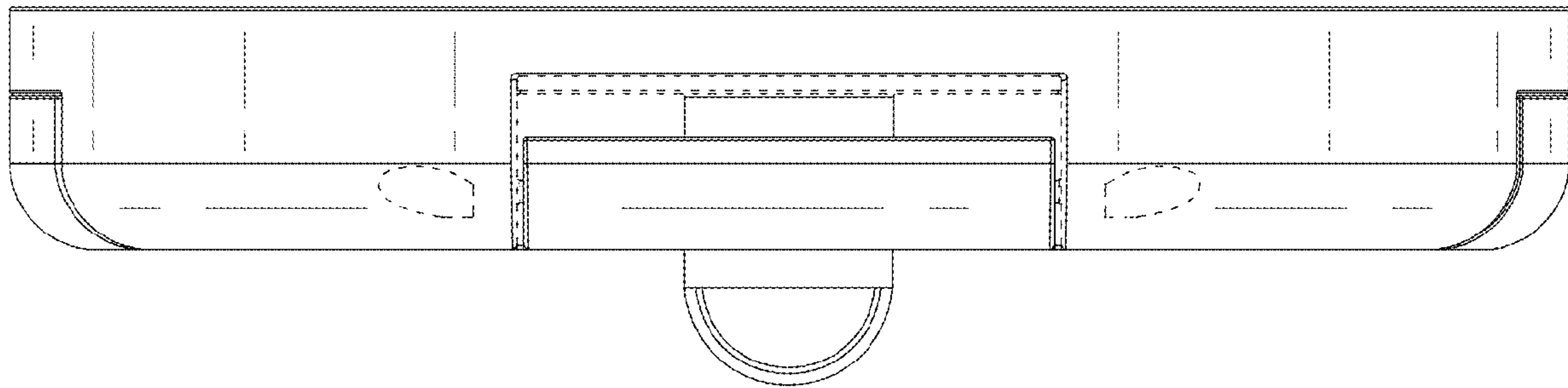


FIG. 7