



US00D940533S

(12) **United States Design Patent** (10) **Patent No.:** **US D940,533 S**
Plariza et al. (45) **Date of Patent:** **** Jan. 11, 2022**

(54) **SAFETY LOCK**
(71) Applicant: **SICK AG**, Waldkirch (DE)
(72) Inventors: **Julio Sandino Tagaro Plariza**, Talisay (PH); **Pavel Gerasimov**, Freiburg (DE); **Stefan Schunke**, Freiburg (DE)
(73) Assignee: **SICK AG**, Waldkirch (DE)
(**) Term: **15 Years**
(21) Appl. No.: **29/647,965**
(22) Filed: **May 17, 2018**
(30) **Foreign Application Priority Data**

Dec. 13, 2017 (EM) 004546588

(51) **LOC (13) Cl.** **08-07**
(52) **U.S. Cl.**
USPC **D8/330**

(58) **Field of Classification Search**
USPC D8/330, 331, 332, 336, 337, 338, 339, D8/341, 342, 343, 344; D15/148, 149
CPC E05C 19/04; E05B 15/0205; E05B 47/026; E05B 17/226; E05B 2015/023; E05B 2047/0086; E05Y 2900/608; F16P 3/08
See application file for complete search history.

(56) **References Cited**
U.S. PATENT DOCUMENTS

4,121,319 A * 10/1978 Welch E05C 17/58
16/48.5
D344,882 S * 3/1994 Doyle D8/339
D437,203 S * 2/2001 Antonucci D8/331
D457,113 S * 5/2002 Zapushek D12/162
D459,193 S * 6/2002 Vande Steeg D8/343
D480,405 S * 10/2003 Kleffmann D15/143
7,264,284 B2 * 9/2007 Hsu E05C 19/04
16/82
D593,841 S * 6/2009 Liang D8/343

D603,684 S * 11/2009 Martis D8/331
D614,476 S * 4/2010 Buhse D8/343
D634,605 S * 3/2011 Guimaraes D8/343
D647,782 S * 11/2011 Novak D8/331
D692,291 S * 10/2013 Gong D8/339
8,944,478 B2 * 2/2015 Pullmann E05B 15/022
292/341.16
D727,714 S * 4/2015 Gherlenda D8/331
D731,871 S * 6/2015 Ringer D8/330
9,347,243 B2 * 5/2016 Talpe E05B 47/0001
D766,066 S * 9/2016 Euchner D8/330
D773,280 S * 12/2016 Rathman D8/330
D775,928 S * 1/2017 Euchner D8/330
9,611,679 B2 * 4/2017 Wollacott E05B 15/0006
9,890,571 B1 * 2/2018 Marsden E05C 17/36
D822,452 S * 7/2018 Fan D8/334
D859,128 S * 9/2019 Grewe D8/330
D865,485 S * 11/2019 Ayton D8/338
D897,816 S * 10/2020 Grewe D8/330

(Continued)

Primary Examiner — Steven J Czyn
(74) *Attorney, Agent, or Firm* — Nath, Goldberg & Meyer; Jerald L. Meyer

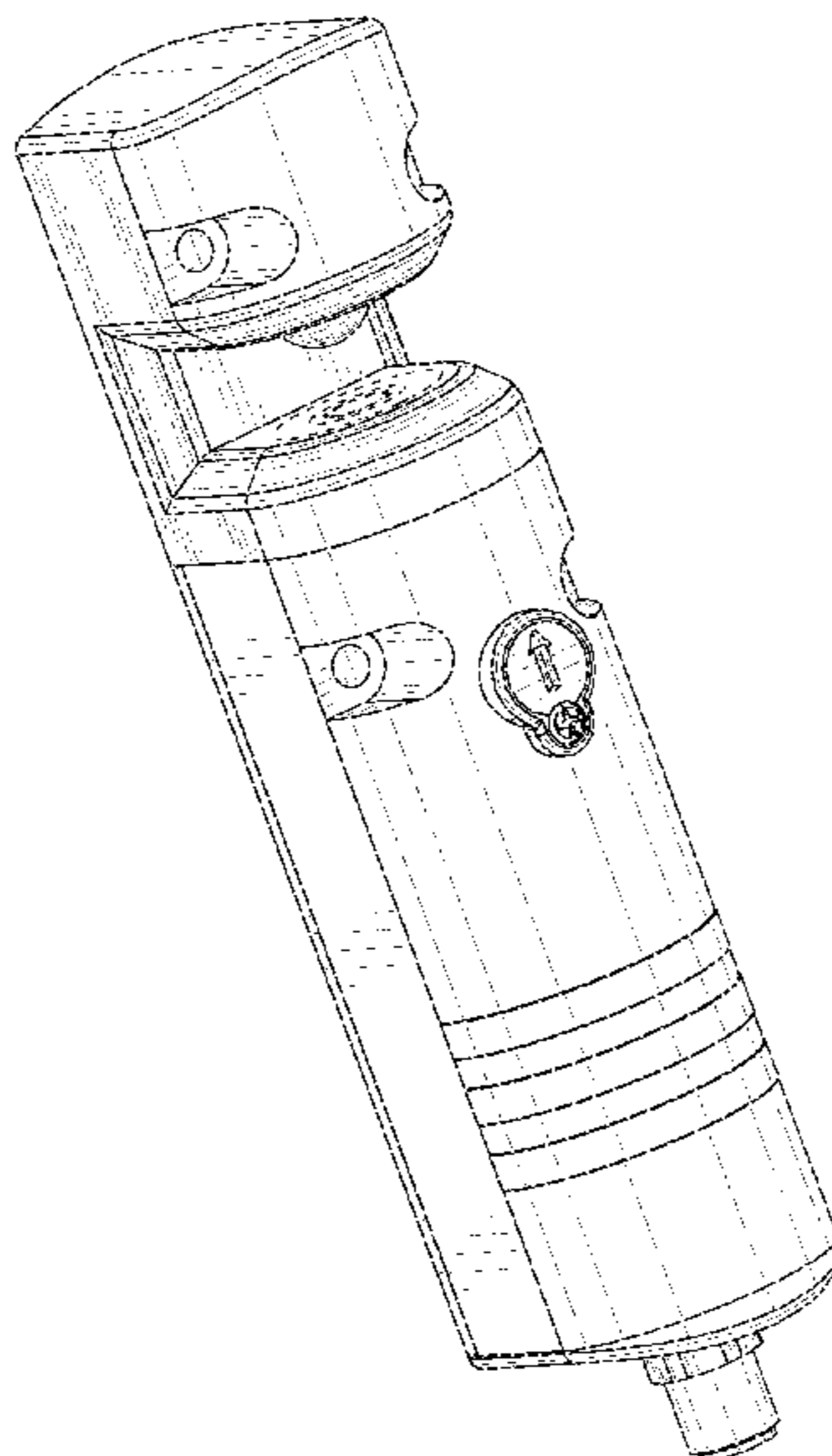
(57) **CLAIM**

The ornamental design for the safety lock, as shown and described.

DESCRIPTION

FIG. 1 is a perspective view of an embodiment of our safety lock;
FIG. 2 is a front view thereof;
FIG. 3 is a back view thereof;
FIG. 4 is a right view thereof;
FIG. 5 is a left view thereof;
FIG. 6 is a top view thereof; and,
FIG. 7 is a bottom view thereof.
The broken lines depict portions of the article that form no part of the claimed design.

1 Claim, 7 Drawing Sheets



(56)

References Cited

U.S. PATENT DOCUMENTS

D904,166 S * 12/2020 Jin D8/331
D913,348 S * 3/2021 Luck D15/148
D914,479 S * 3/2021 Scarlett D8/331

* cited by examiner

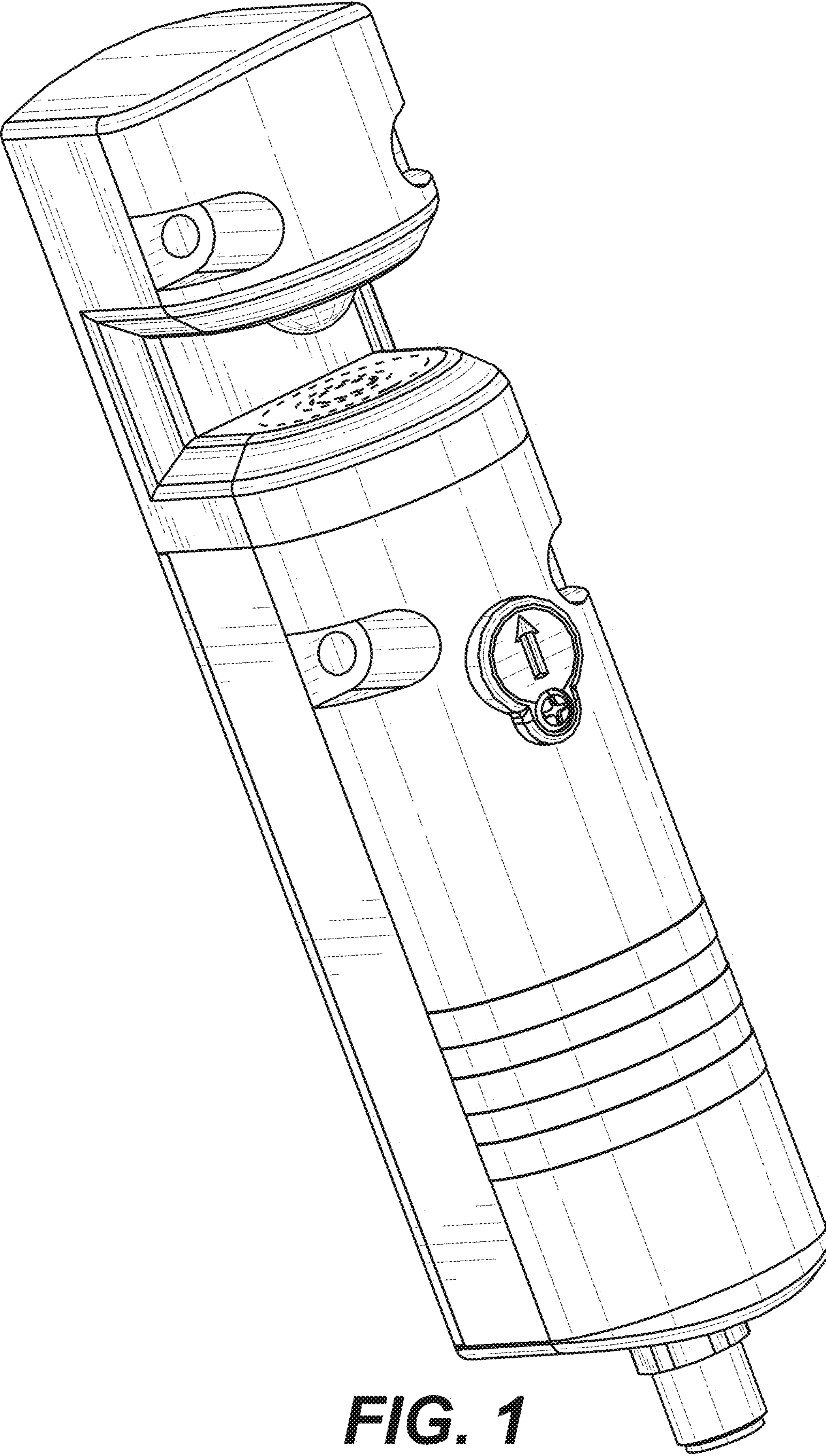


FIG. 1

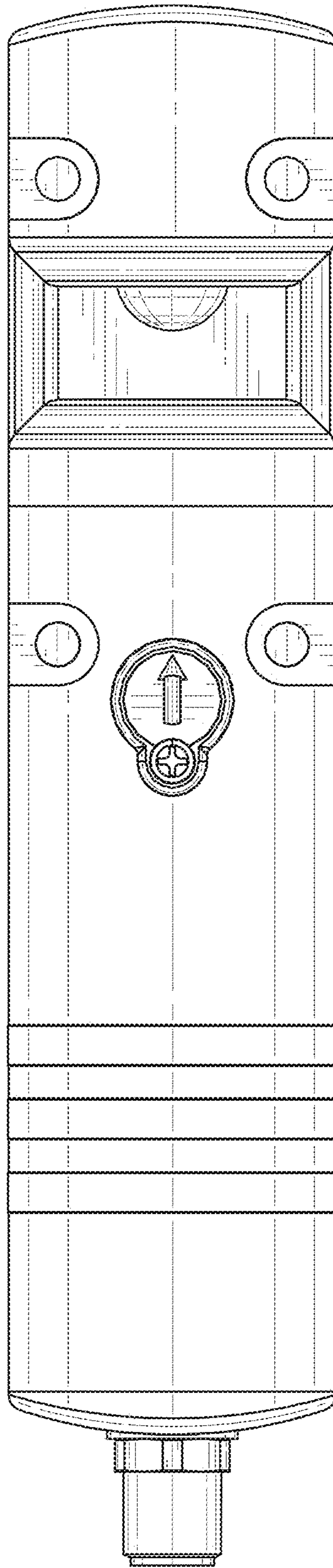


FIG. 2

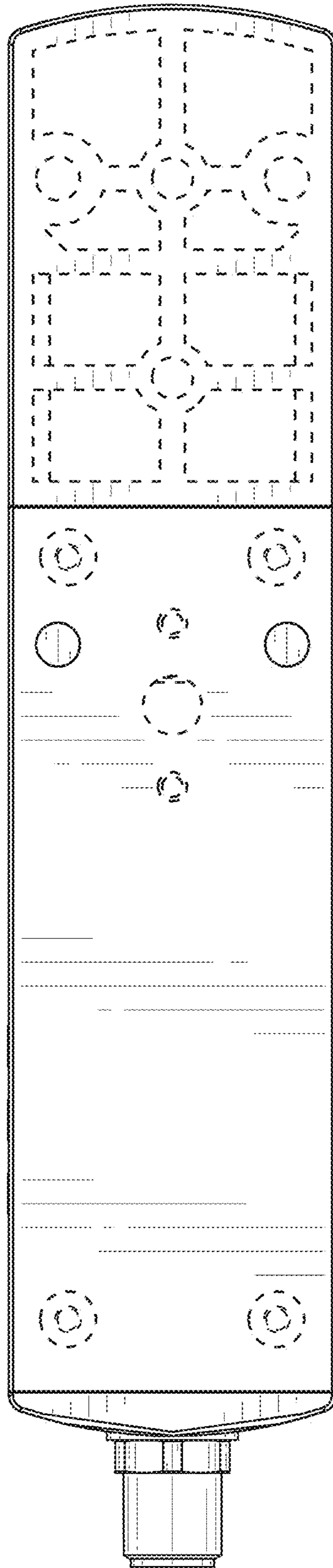


FIG. 3

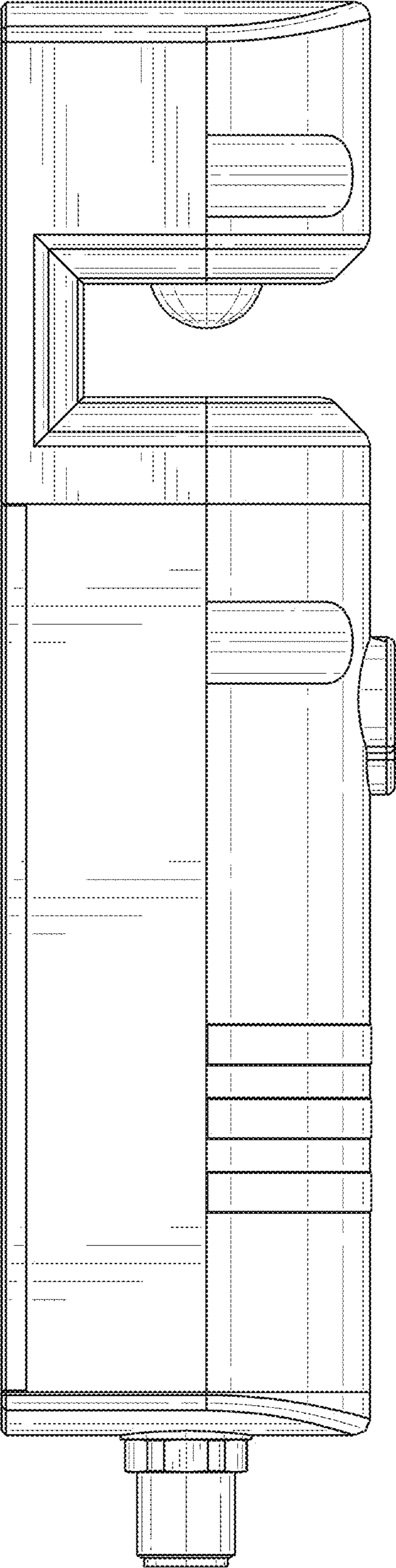


FIG. 4

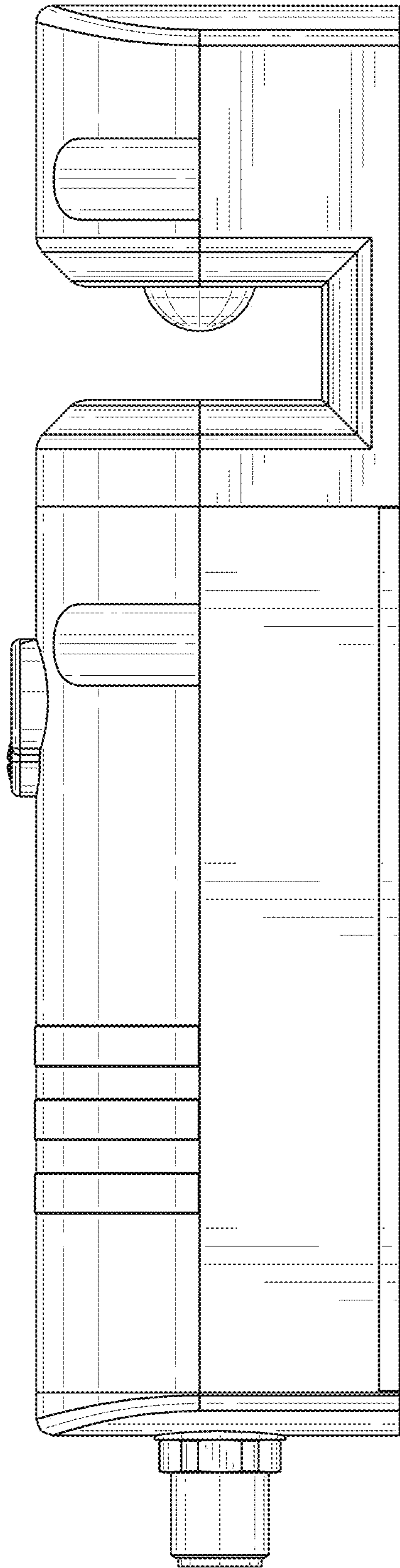


FIG. 5

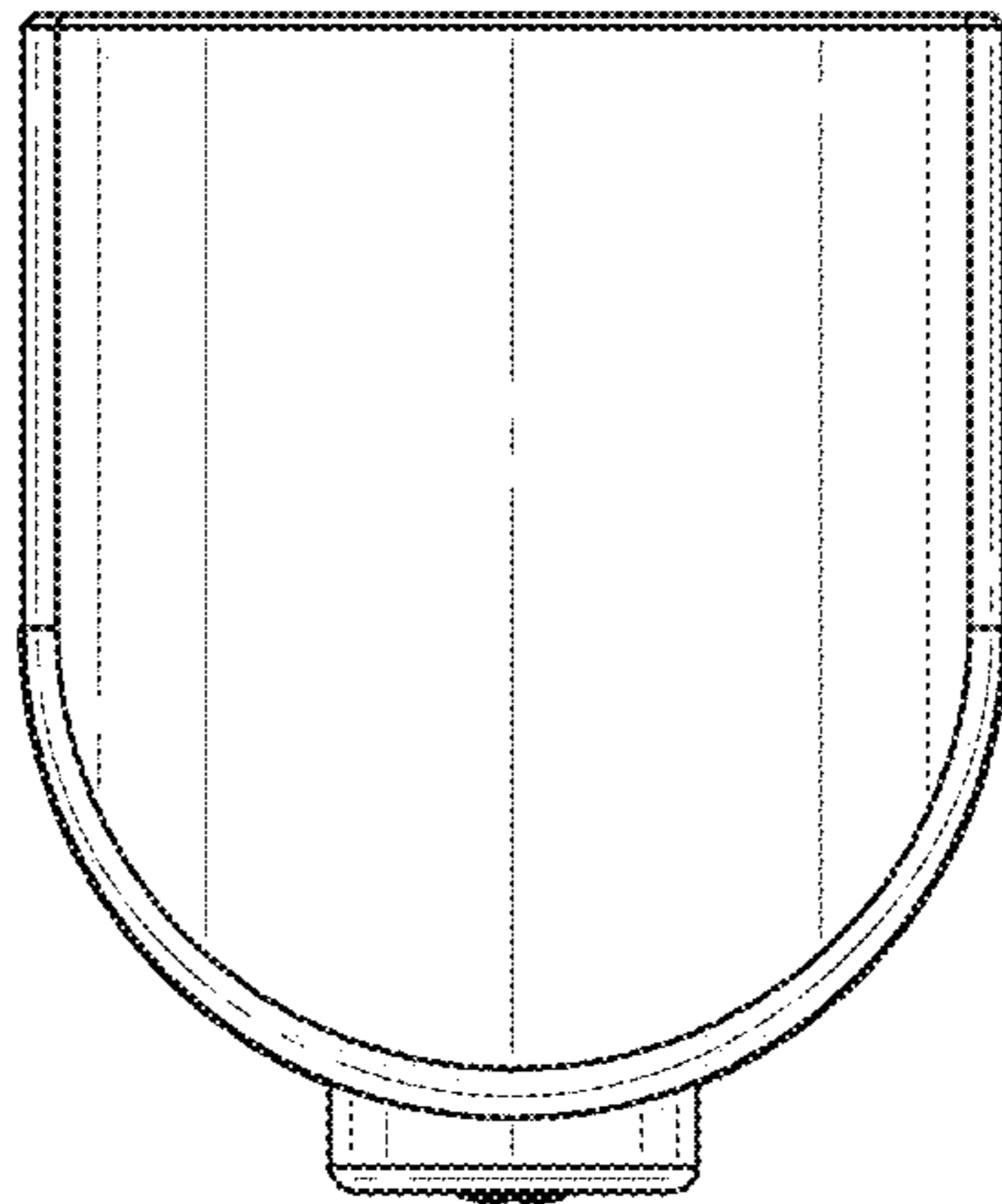


FIG. 6

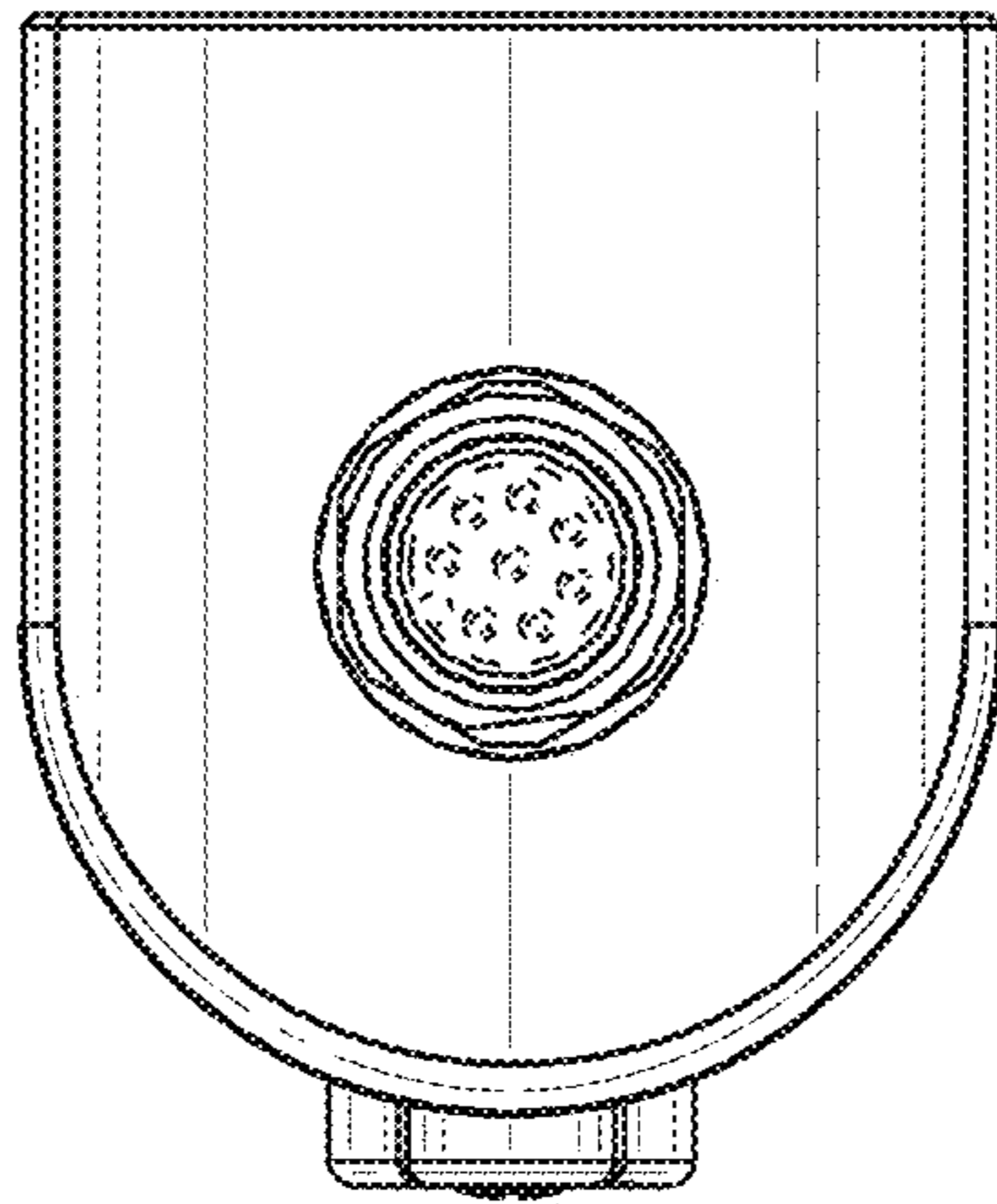


FIG. 7