



US00D940531S

(12) **United States Design Patent**
Anderson

(10) **Patent No.:** **US D940,531 S**

(45) **Date of Patent:** **** Jan. 11, 2022**

(54) **BUTTON KNOB**

(71) Applicant: **PRYM CONSUMER USA INC.,**
Spartanburg, SC (US)

(72) Inventor: **Victoria Anderson,** Greenville, SC
(US)

(73) Assignee: **PRYM CONSUMER USA, INC.,**
Spartanburg, SC (US)

(**) Term: **15 Years**

(21) Appl. No.: **29/776,934**

(22) Filed: **Apr. 1, 2021**

Related U.S. Application Data

(62) Division of application No. 29/715,933, filed on Dec. 5, 2019.

(51) **LOC (13) Cl.** **08-06**

(52) **U.S. Cl.**
USPC **D8/310**

(58) **Field of Classification Search**
USPC D8/300, 307, 310; D7/393; D23/250,
D23/252, 254

CPC ... Y10T 292/57; Y10T 16/469; Y10T 292/82;
Y10T 74/2084; Y10T 292/85; Y10T
16/458; Y10T 16/506; Y10T 70/5155;
Y10T 16/46; Y10T 16/4559; Y10T
74/20828; Y10T 70/8541; Y10T
74/20612; Y10T 16/459; Y10T 16/487;
Y10T 70/5389; Y10T 16/462; Y10T
16/4636; E05B 1/0007; E05B 3/00; Y10S
16/30; Y10S 292/53; Y10S 292/27

See application file for complete search history.

(56) **References Cited**

U.S. PATENT DOCUMENTS

5,499,427	A *	3/1996	Bowman	A47B 95/02	16/417
D396,179	S *	7/1998	Burns	D8/310	
D401,834	S *	12/1998	Burns	D8/310	
D474,672	S *	5/2003	Fields	D8/310	
D493,686	S *	8/2004	Fields	D8/310	
D560,110	S *	1/2008	Ricereto	D8/310	
D569,220	S *	5/2008	McConnell	D8/310	
D613,291	S *	4/2010	Carver	D14/432	
D629,279	S *	12/2010	Koskela	D8/310	
D649,427	S *	11/2011	Roe	D8/310	
D660,679	S *	5/2012	Han	D8/310	
D679,982	S *	4/2013	Ramsland	D8/312	
D772,686	S *	11/2016	Zimmer	D8/310	
D787,297	S *	5/2017	Zimmer	D8/310	
D915,173	S *	4/2021	Anderson	D8/310	
2010/0139046	A1 *	6/2010	Daniels	E05B 1/0015	16/414

* cited by examiner

Primary Examiner — Lauren R Calve

(74) *Attorney, Agent, or Firm* — Bennett Mullinax, LLC

(57) **CLAIM**

The ornamental design for a button knob, as shown and described.

DESCRIPTION

FIG. 1 is a top perspective view of the button knob according to the present design;

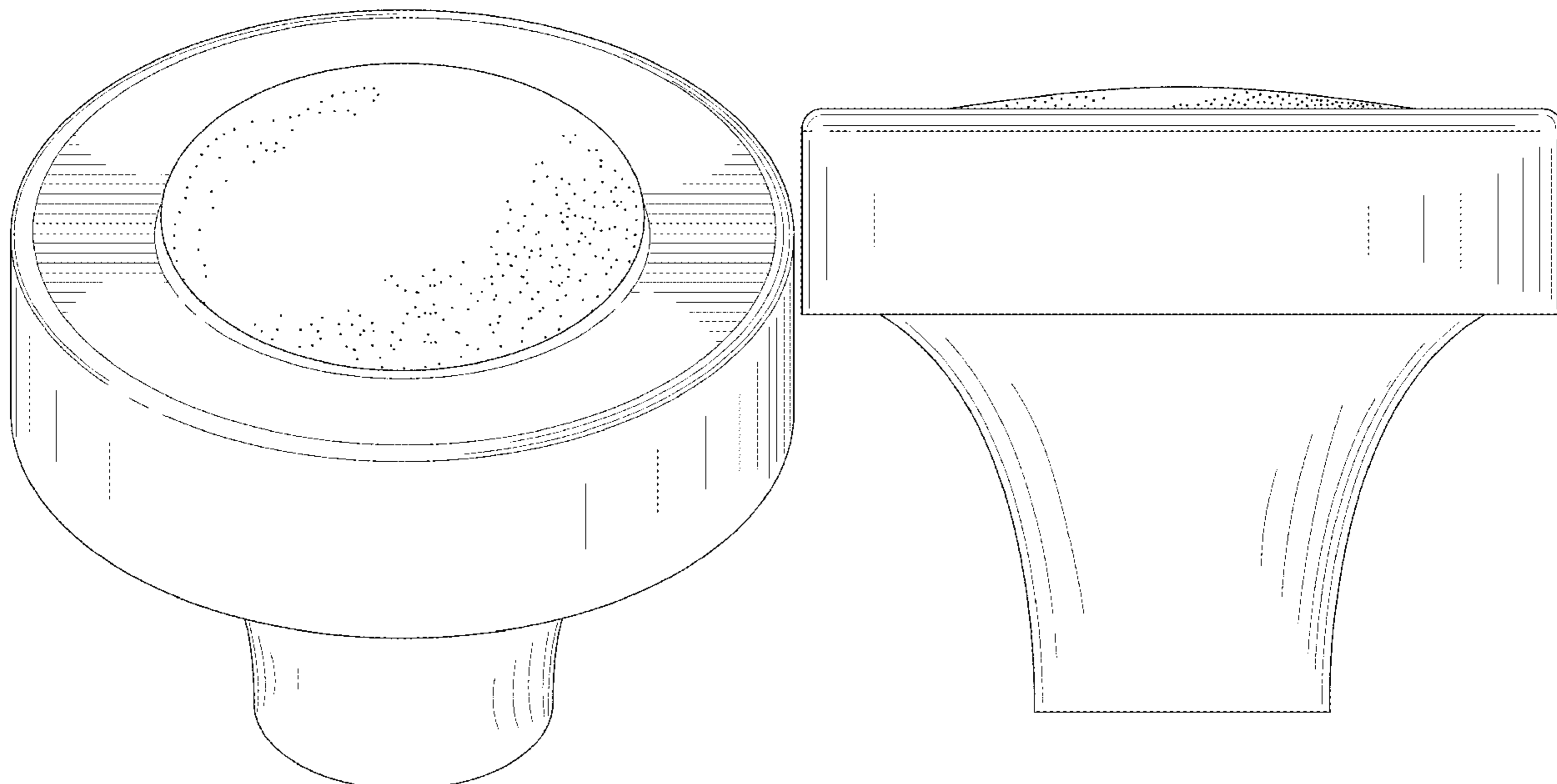
FIG. 2 a bottom perspective view of the button knob as seen in FIG. 1;

FIG. 3 is a top view of the button knob seen in FIG. 1;

FIG. 4 is a bottom view of the button knob seen in FIG. 1; and,

FIG. 5 is a side view of the button knob seen in FIG. 1.

1 Claim, 5 Drawing Sheets



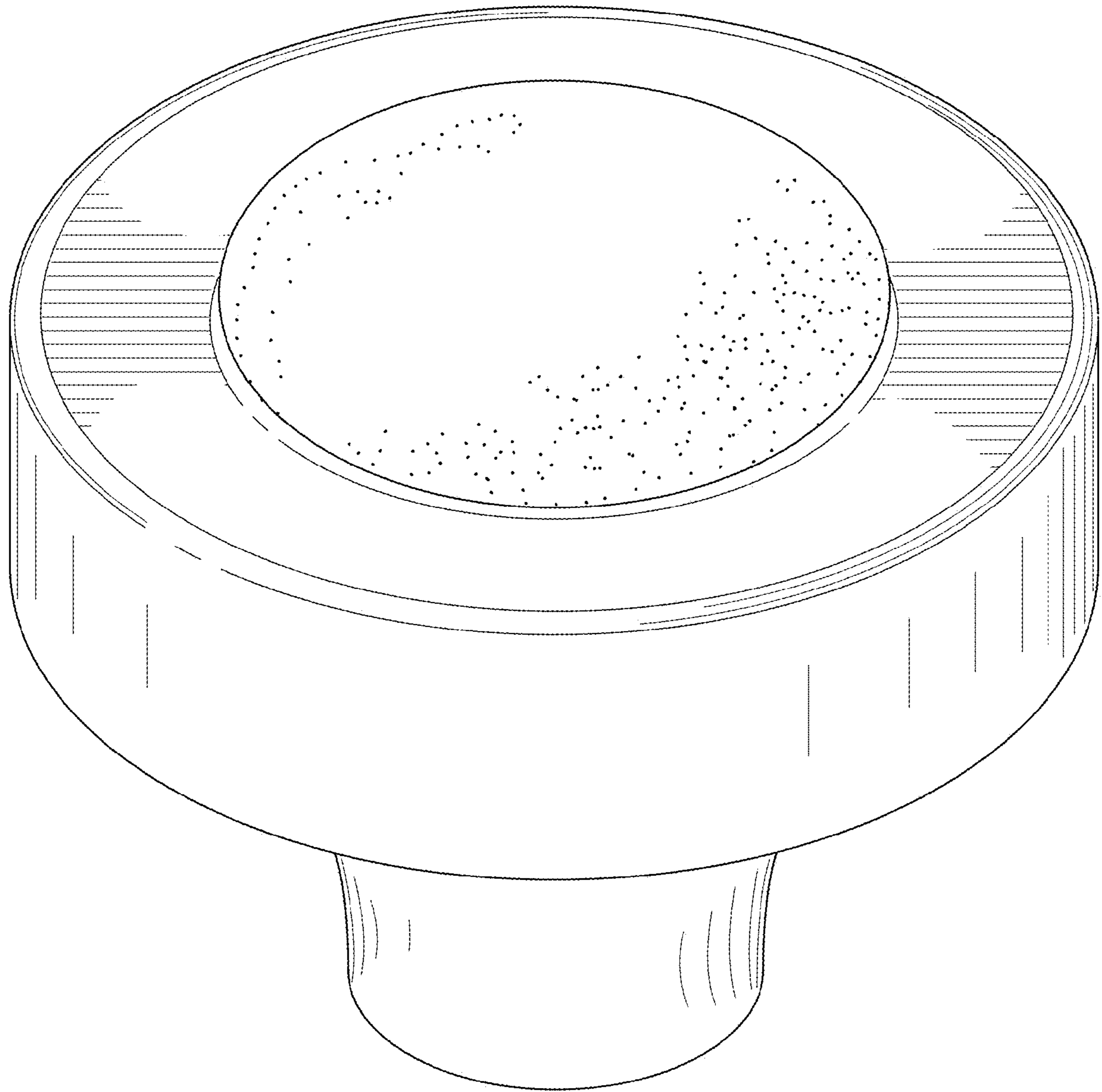


FIG. 1

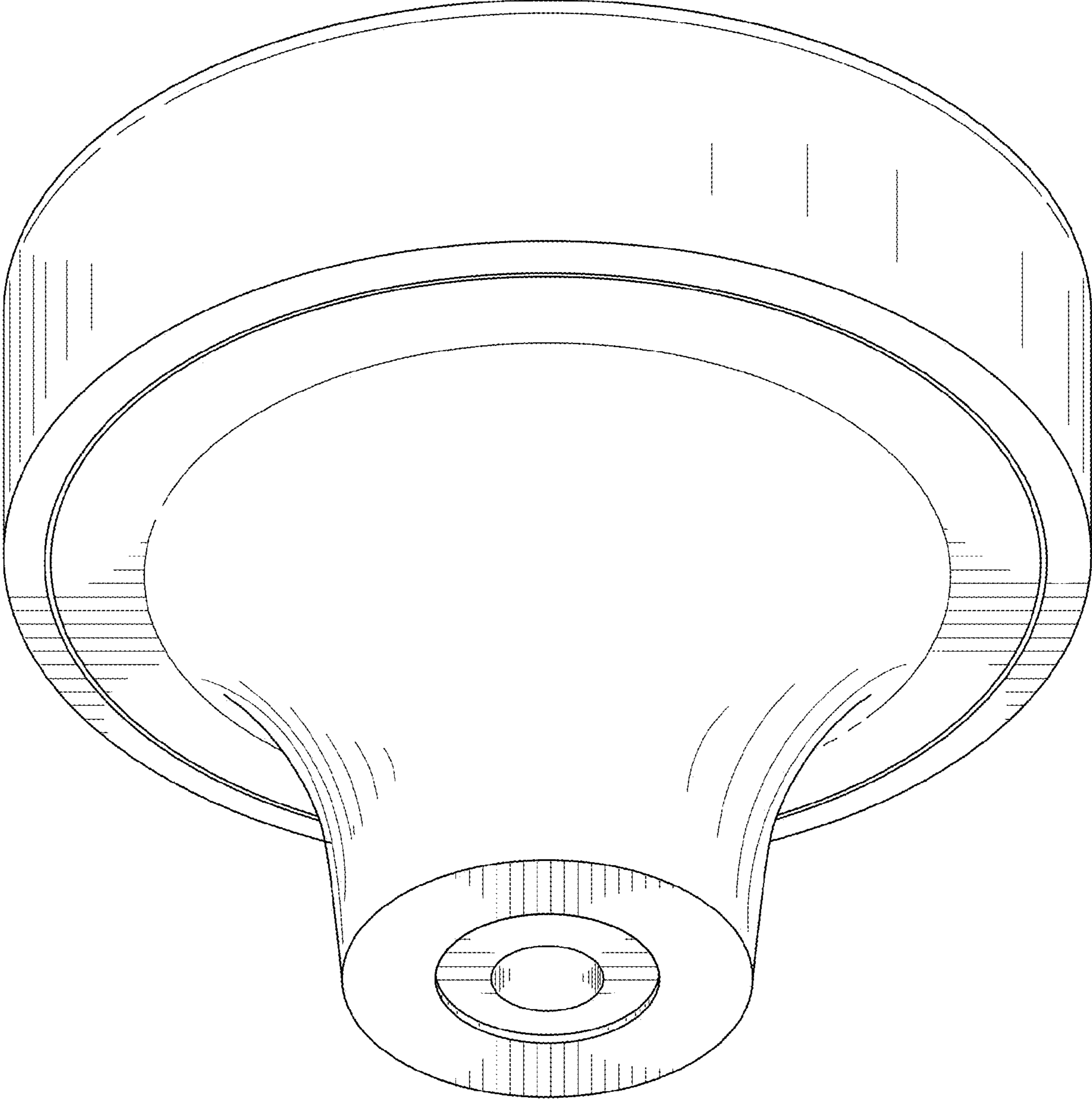


FIG. 2

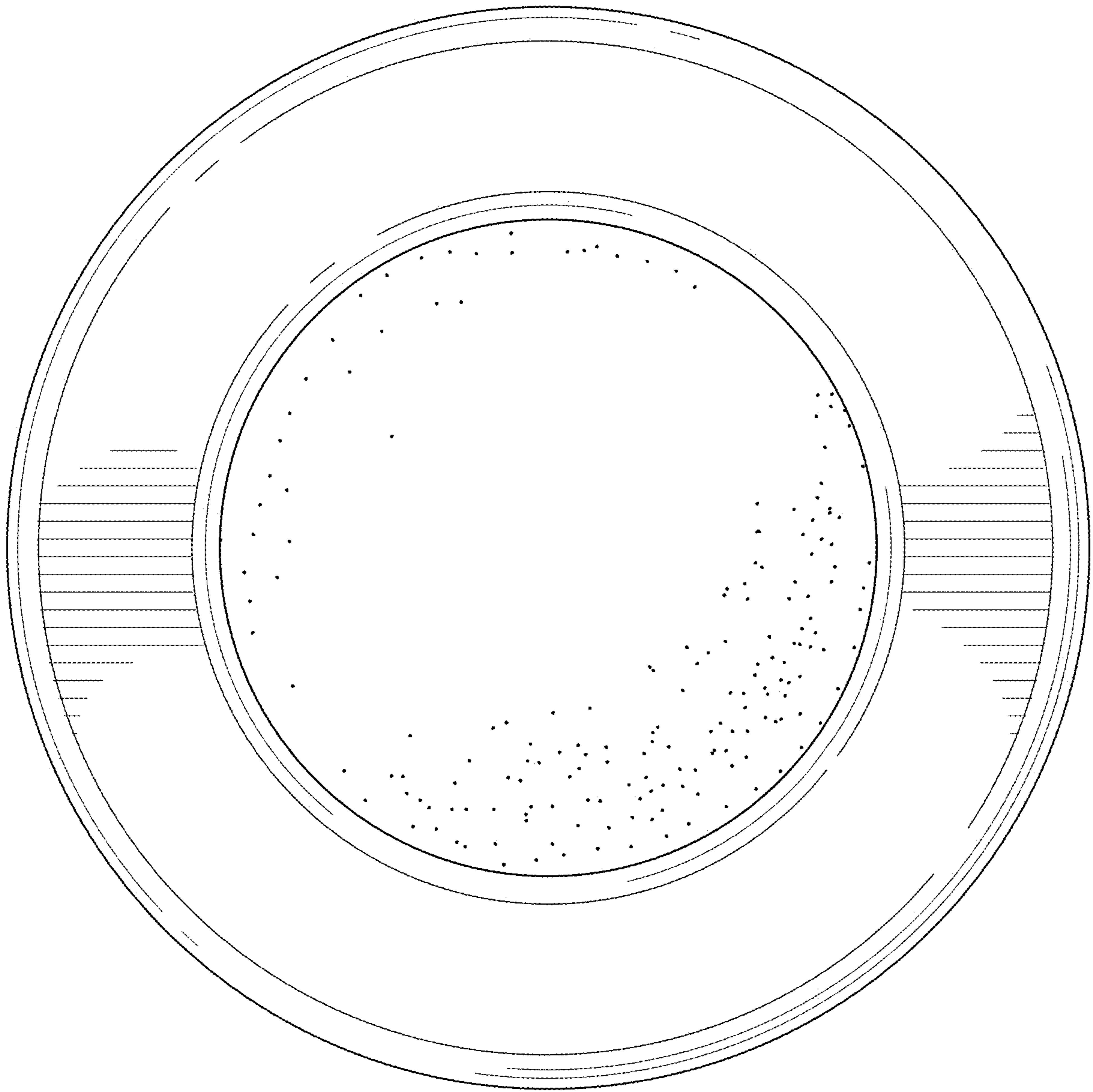


FIG. 3

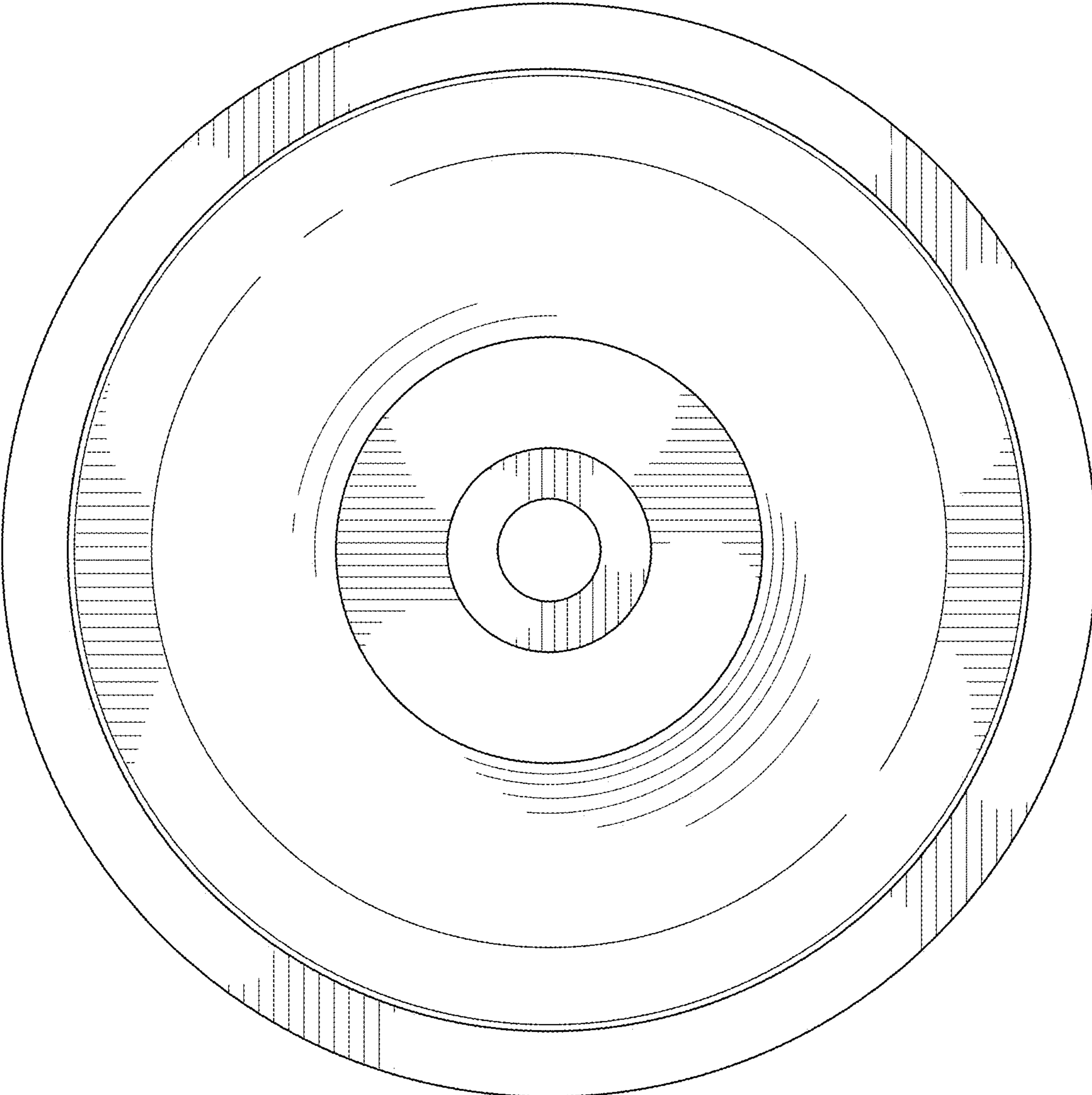


FIG. 4

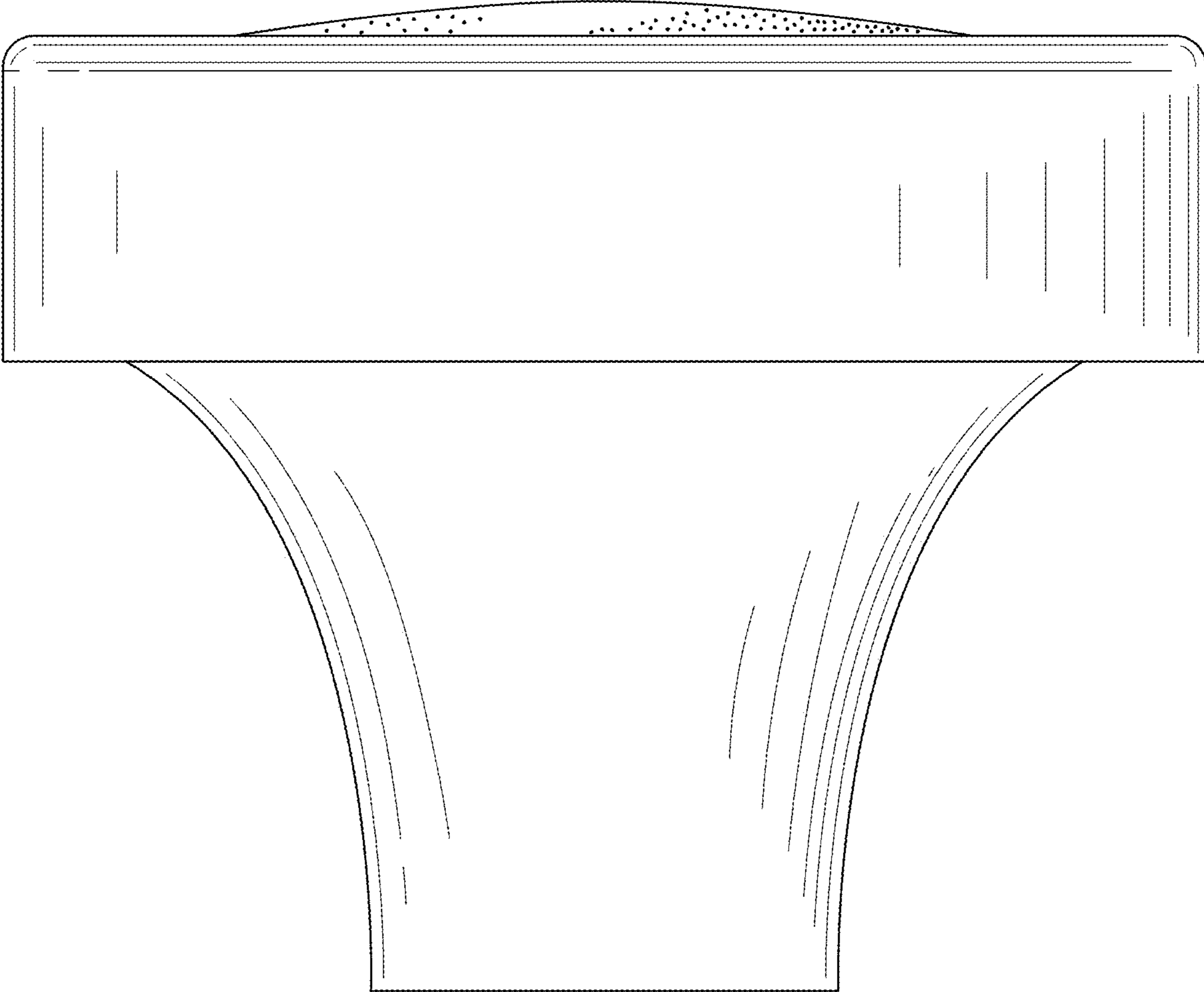


FIG. 5