



US00D940529S

(12) **United States Design Patent**
Martone et al.

(10) **Patent No.:** **US D940,529 S**
(45) **Date of Patent:** **** Jan. 11, 2022**

- (54) **DOOR PULL**
- (71) Applicant: **ASSA ABLOY Accessories and Door Controls Group, Inc.**, New Haven, CT (US)
- (72) Inventors: **Joseph Martone**, Bristol, CT (US);
Scott Kasper, Killingworth, CT (US)
- (73) Assignee: **ASSA ABLOY Accessories and Door Controls Group, Inc.**, New Haven, CT (US)
- (**) Term: **15 Years**

- (21) Appl. No.: **29/754,779**
- (22) Filed: **Oct. 14, 2020**
- (51) **LOC (13) Cl.** **08-06**
- (52) **U.S. Cl.**
USPC **D8/308**
- (58) **Field of Classification Search**
USPC D8/300-302, 307, 308, 321, 396
CPC B25G 3/20; B25G 3/28; Y10T 16/459;
Y10T 16/469; Y10T 16/44; Y10T 16/4713;
Y10T 16/4559; Y10T 16/476; Y10T 29/49876;
Y10T 29/49826; Y10T 29/49947; Y10T 29/49948; Y10T 29/49963
See application file for complete search history.

(56) **References Cited**

U.S. PATENT DOCUMENTS

D83,809 S *	3/1931	Jarvis	D8/308
3,648,411 A *	3/1972	Saunders	F25D 23/028
				49/460
3,827,739 A *	8/1974	Overholser	E05B 1/0053
				292/347
D256,405 S *	8/1980	Wheeler	D3/315
D300,719 S *	4/1989	Rhoades	D8/308
D339,852 S *	9/1993	Jans	D23/252

- 5,375,295 A * 12/1994 Woodward E05B 1/0053
16/412
- 5,664,287 A * 9/1997 Sendelbach E05B 1/0053
16/412
- 6,035,492 A * 3/2000 Warshaviak E05B 1/0092
292/336.3

(Continued)

Primary Examiner — Lauren R Calve
(74) *Attorney, Agent, or Firm* — Wolf, Greenfield & Sacks, P.C.

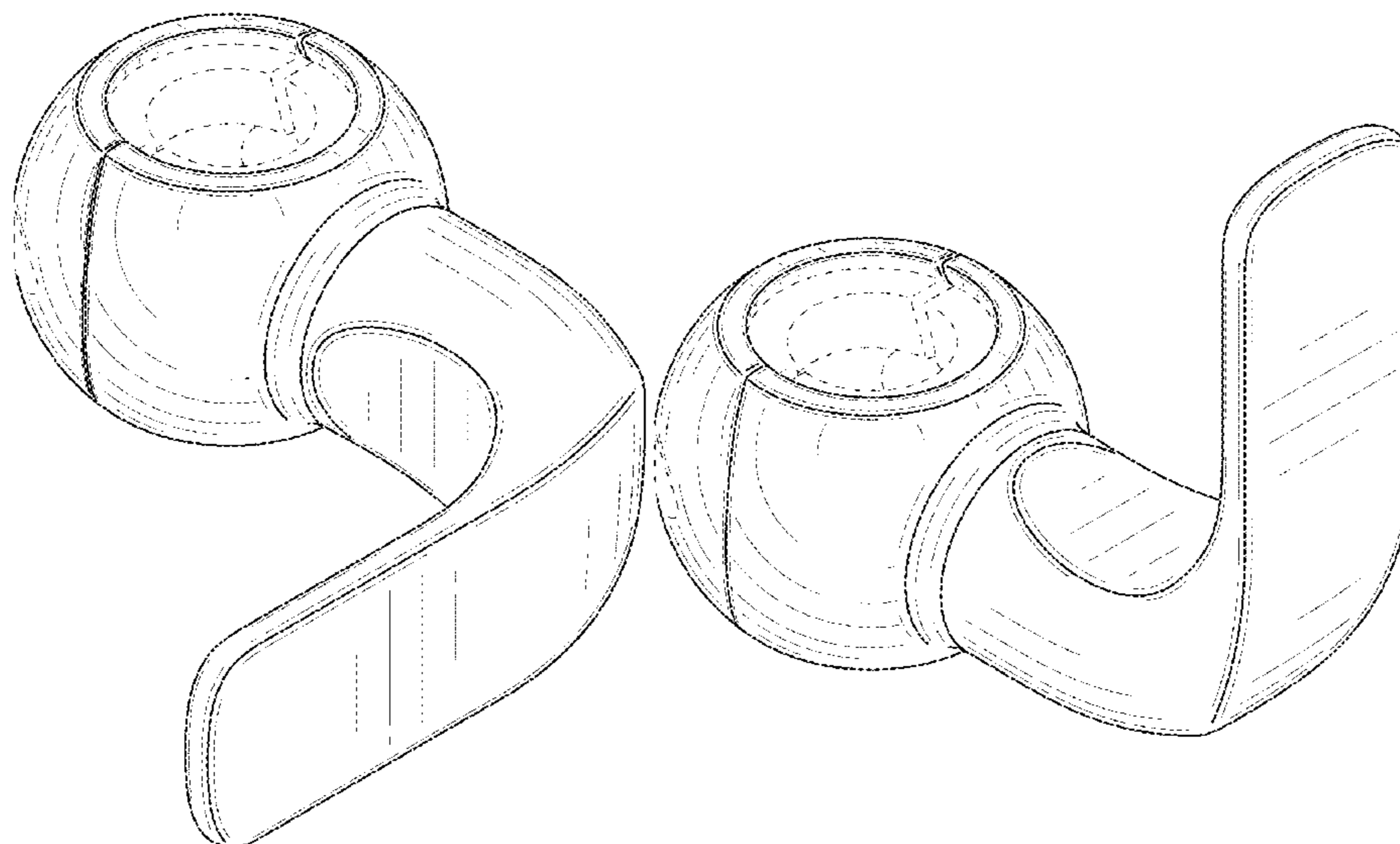
(57) **CLAIM**

The ornamental design for a door pull, as shown and described.

DESCRIPTION

FIG. 1 is a top, front, left side perspective view of a first embodiment of a door pull;
 FIG. 2 is a front elevation view of FIG. 1;
 FIG. 3 is a rear elevation view of FIG. 1;
 FIG. 4 is a left side elevation view of FIG. 1;
 FIG. 5 is a right side elevation view of FIG. 1;
 FIG. 6 is a top plan view of FIG. 1;
 FIG. 7 is a bottom plan view of FIG. 1;
 FIG. 8 is a top, front, left side perspective view of FIG. 1 shown mounted to a door handle of a door;
 FIG. 9 is a top, front, left side perspective view of a second embodiment of a door pull;
 FIG. 10 is a front elevation view of FIG. 9;
 FIG. 11 is a rear elevation view of FIG. 9;
 FIG. 12 is a left side elevation view of FIG. 9;
 FIG. 13 is a right side elevation view of FIG. 9;
 FIG. 14 is a top plan view of FIG. 9;
 FIG. 15 is a bottom plan view of FIG. 9; and,
 FIG. 16 is a top, front, left side perspective view of FIG. 9 shown mounted to a door handle of a door.
 The dash-dash broken lines show portions of the door pull that form no part of the claimed design. The broken line illustration of the environmental structure in FIGS. 8 and 16 forms no part of the claimed design.

1 Claim, 9 Drawing Sheets



(56)

References Cited

U.S. PATENT DOCUMENTS

6,289,557	B1 *	9/2001	Manson	E05B 1/0053	
						16/412
6,711,784	B2 *	3/2004	Walker	A45C 13/00	
						16/436
D637,885	S *	5/2011	Buck	D8/308	
D645,724	S *	9/2011	Buck	D8/308	
8,448,298	B2 *	5/2013	Rothschild	E05B 1/0053	
						16/413
2007/0192995	A1 *	8/2007	Houis	F16K 31/62	
						16/412

* cited by examiner

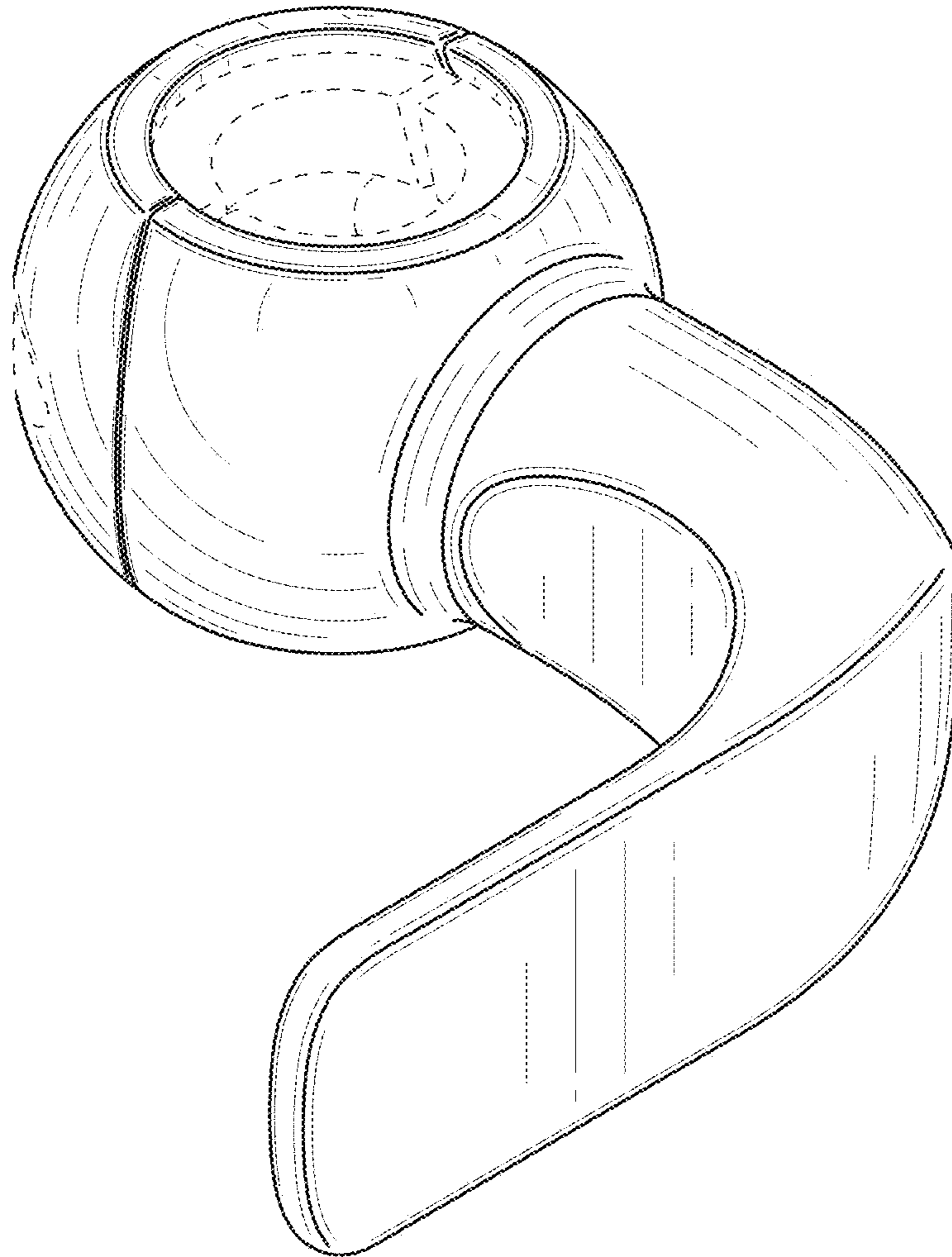


FIG. 1

FIG. 2

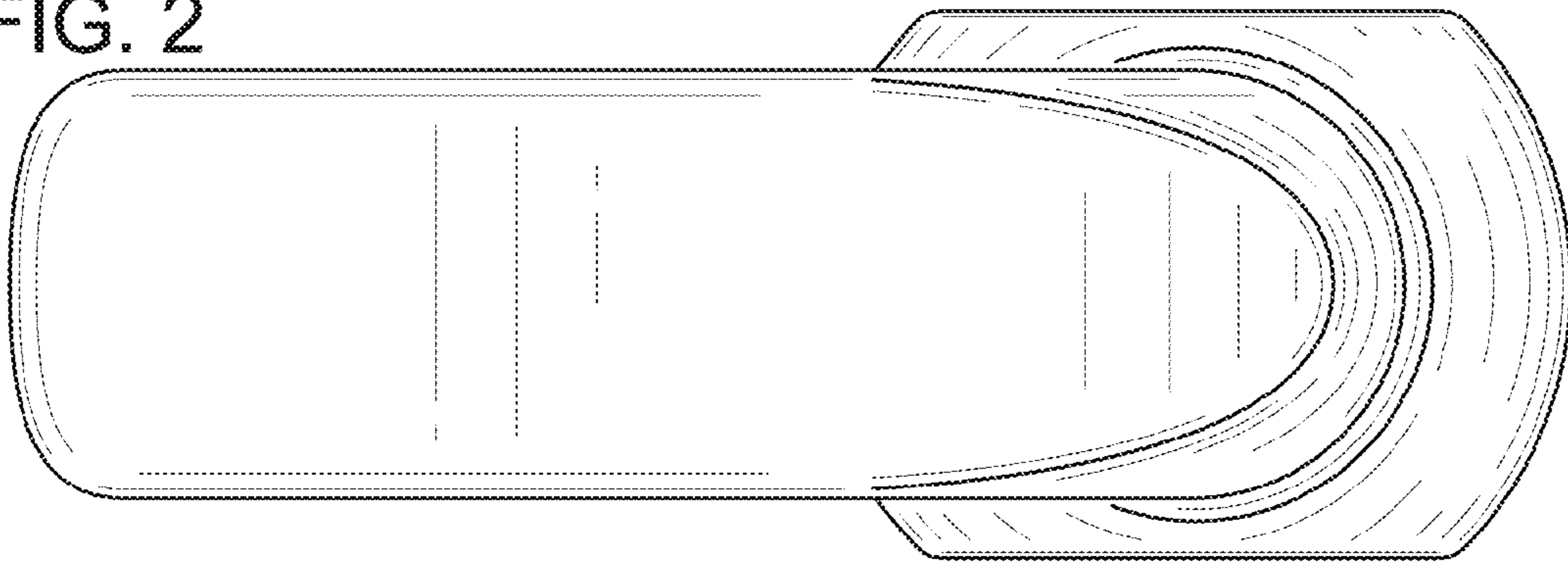


FIG. 3

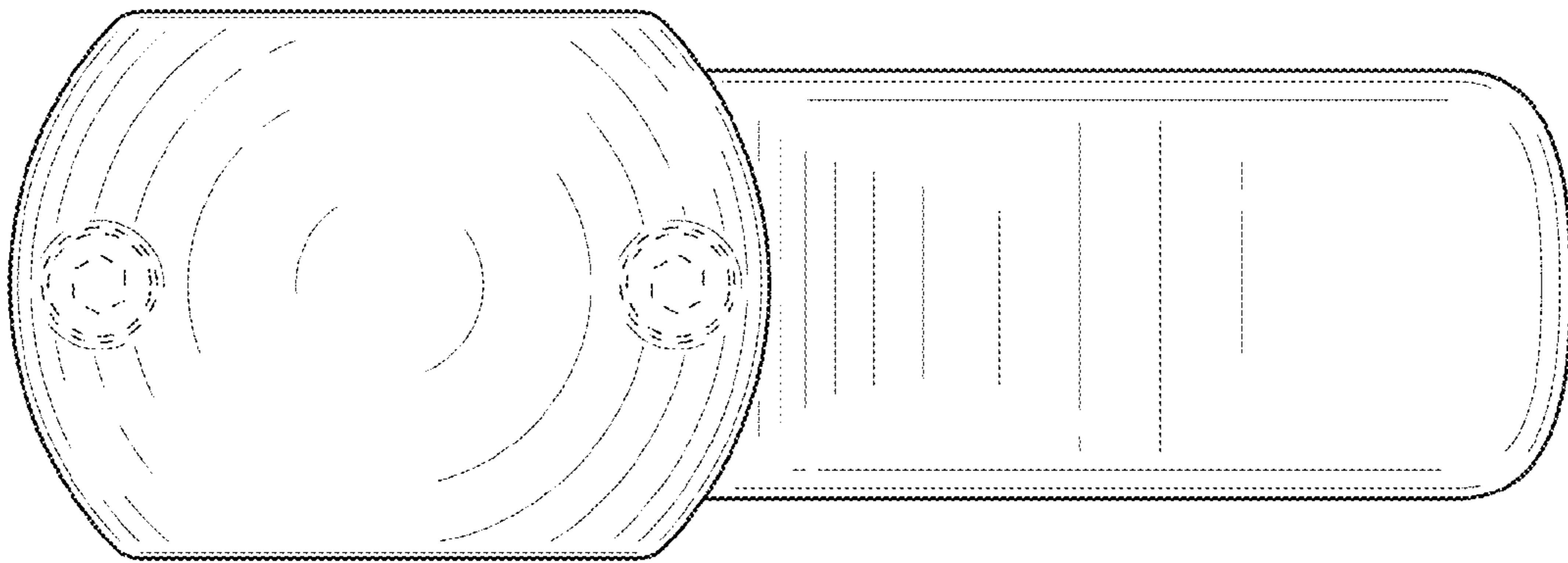


FIG. 4

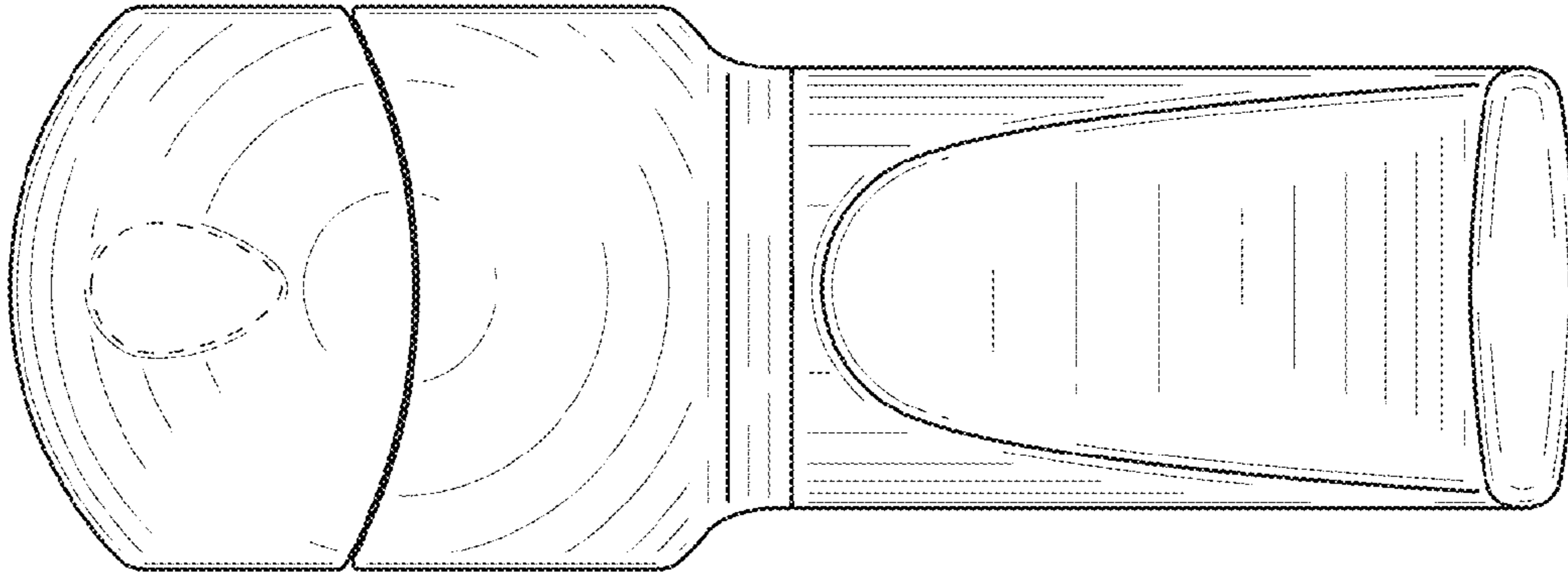


FIG. 5

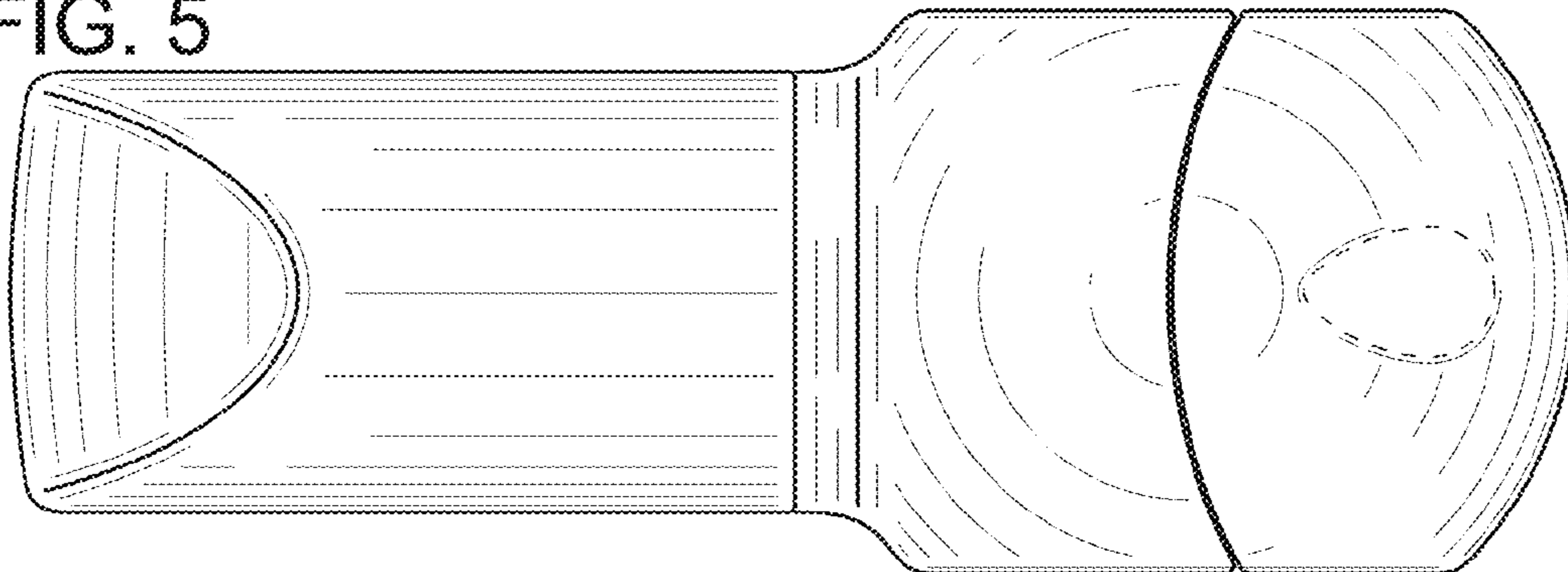


FIG. 7

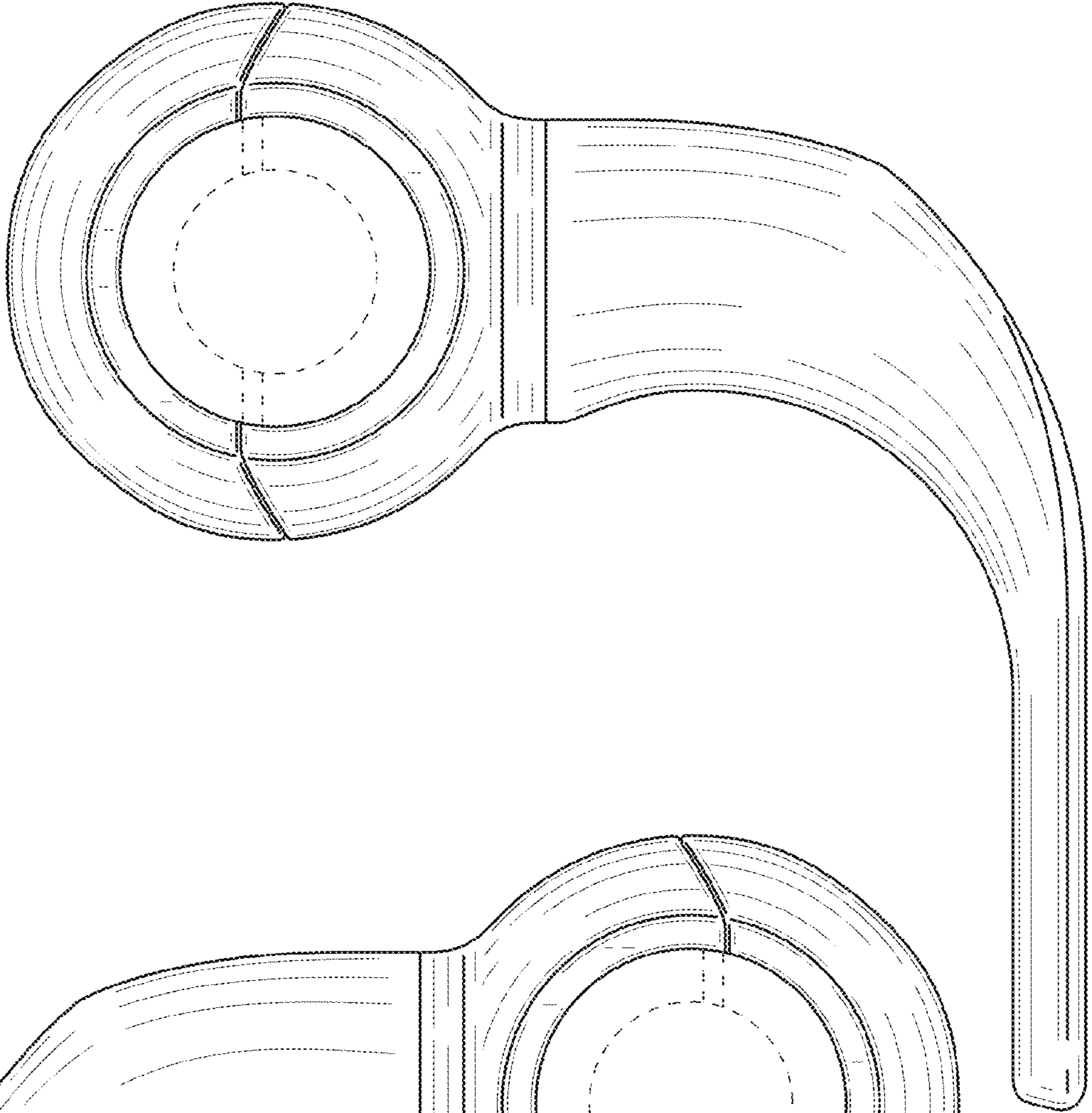


FIG. 6

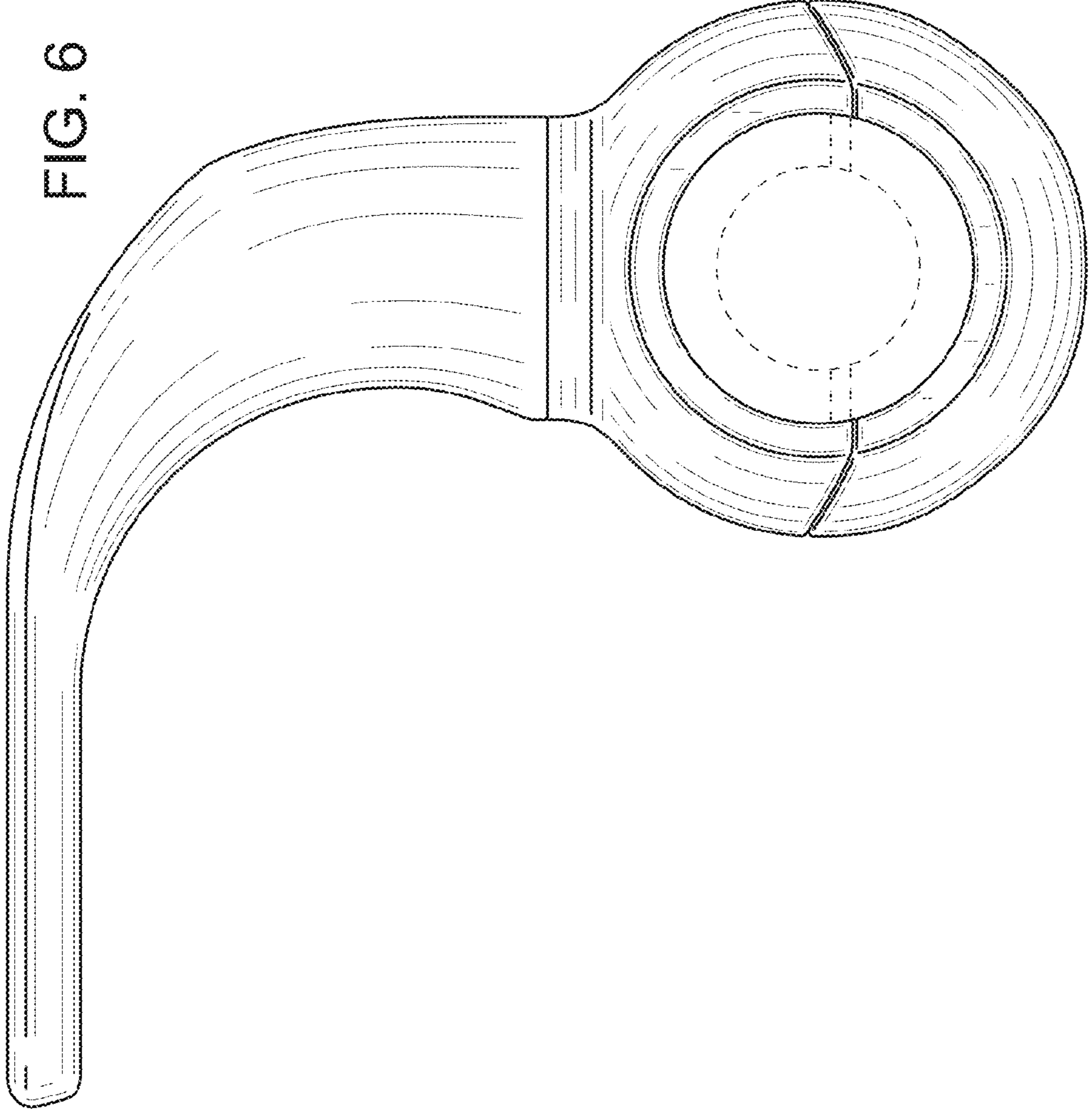
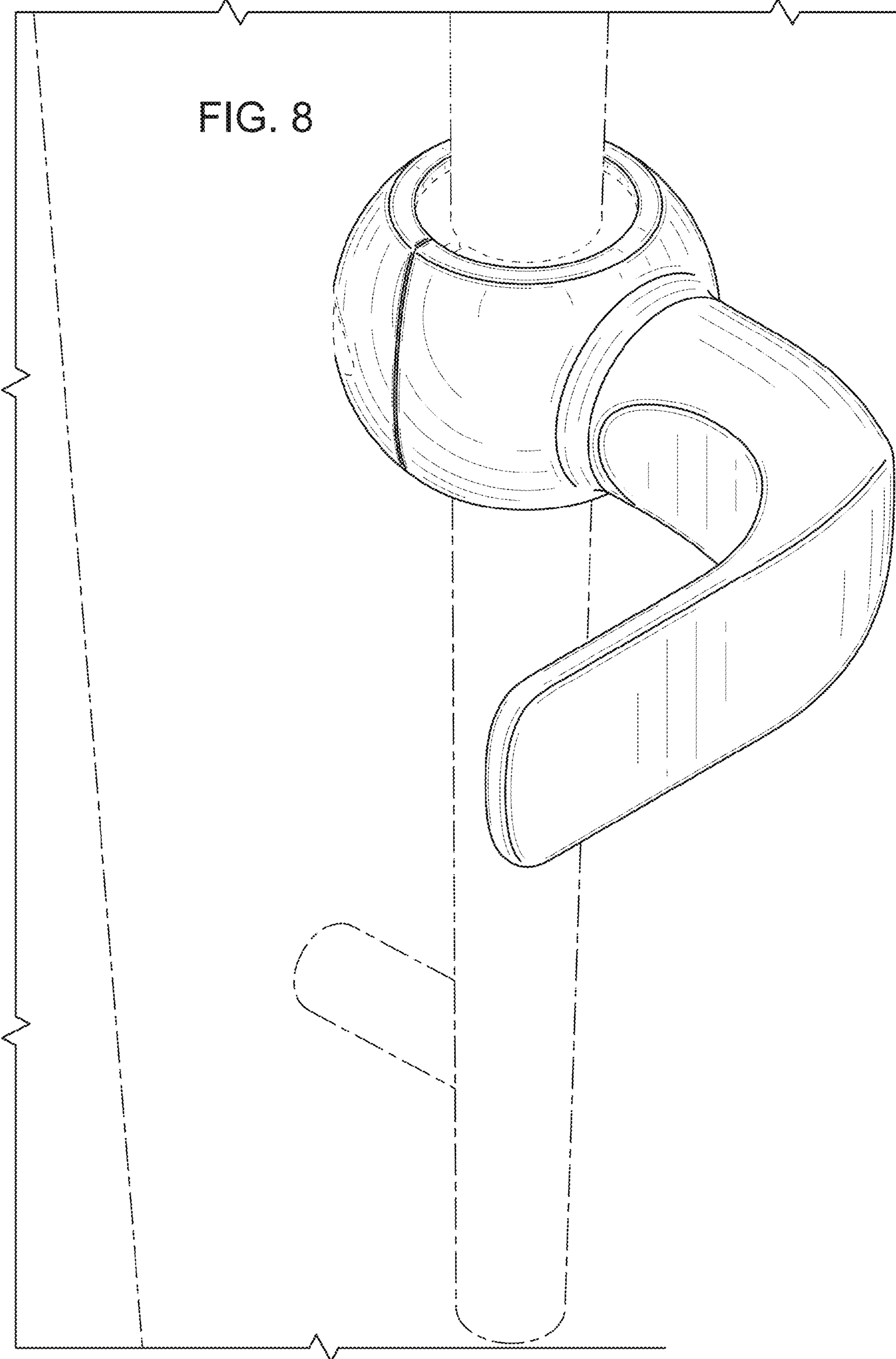


FIG. 8



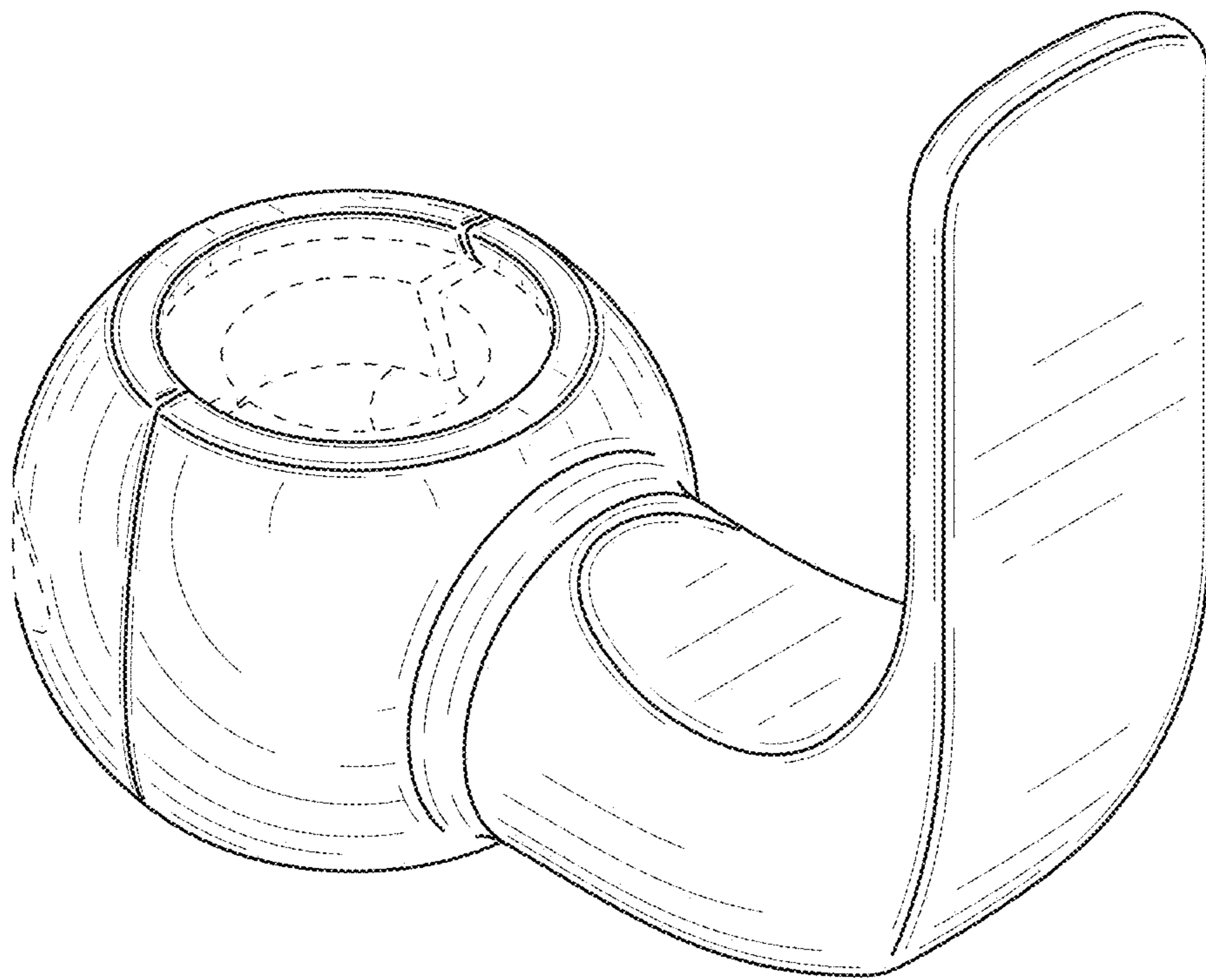


FIG. 9

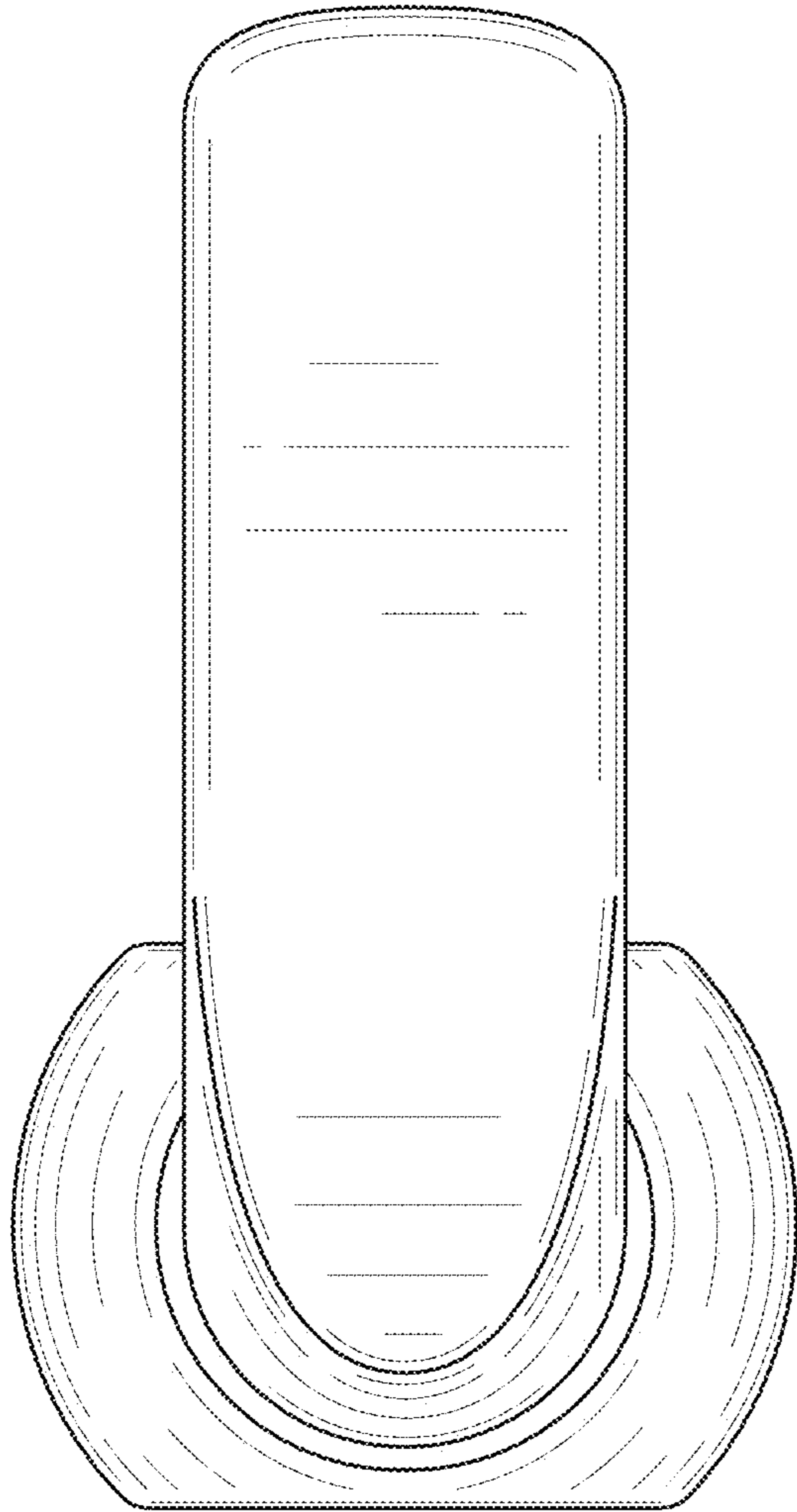


FIG. 10

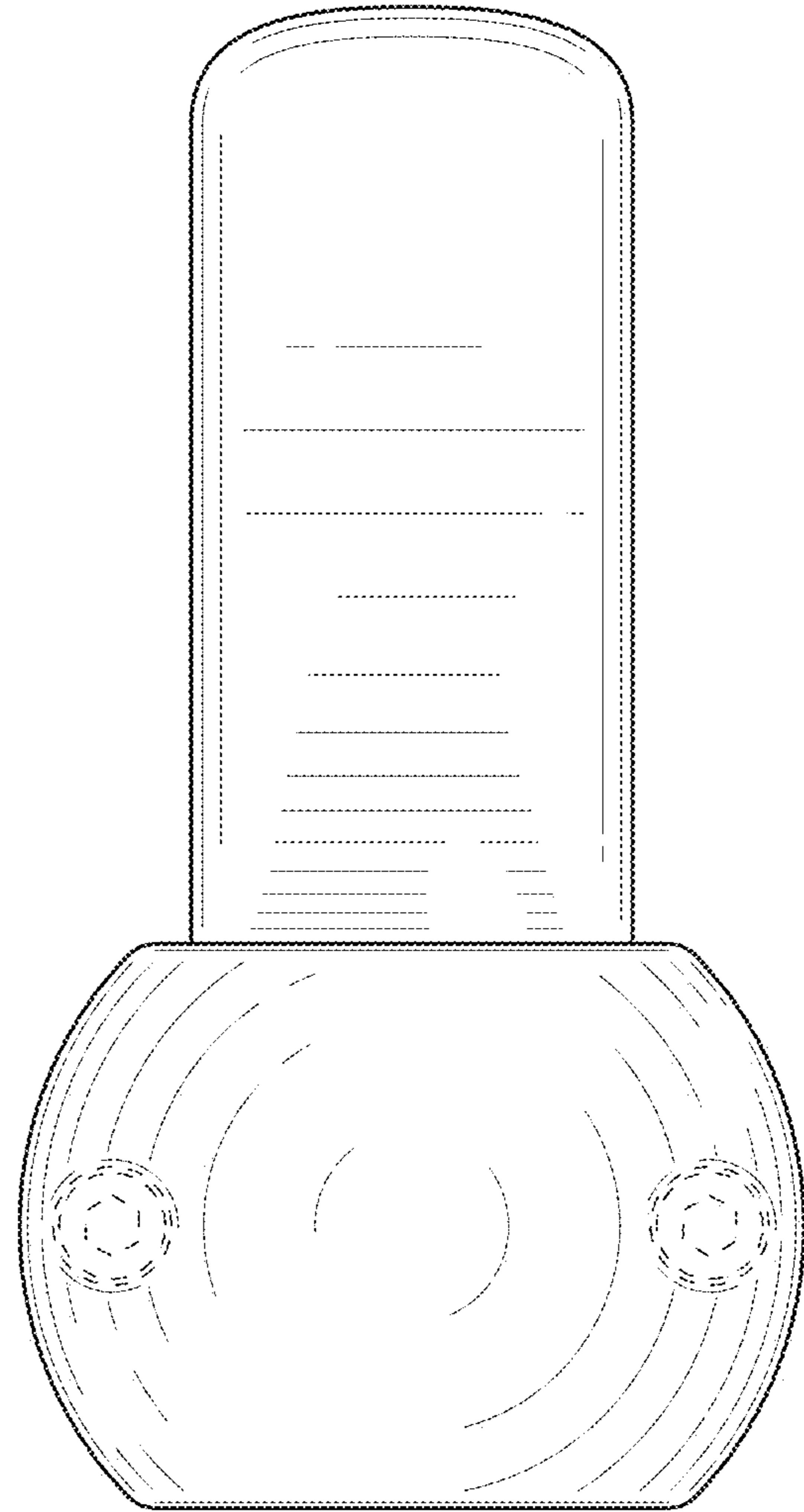


FIG. 11

FIG. 12

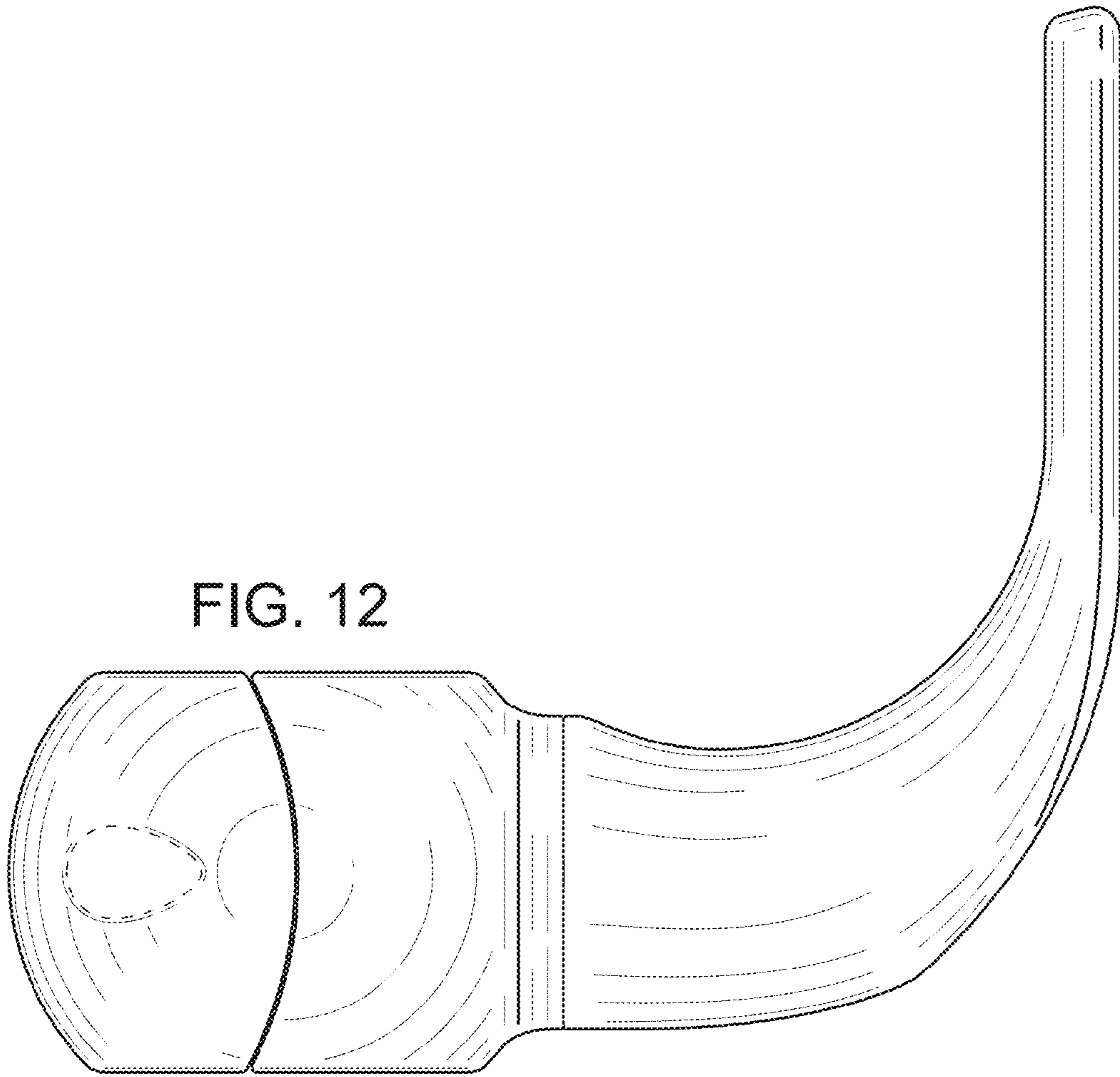
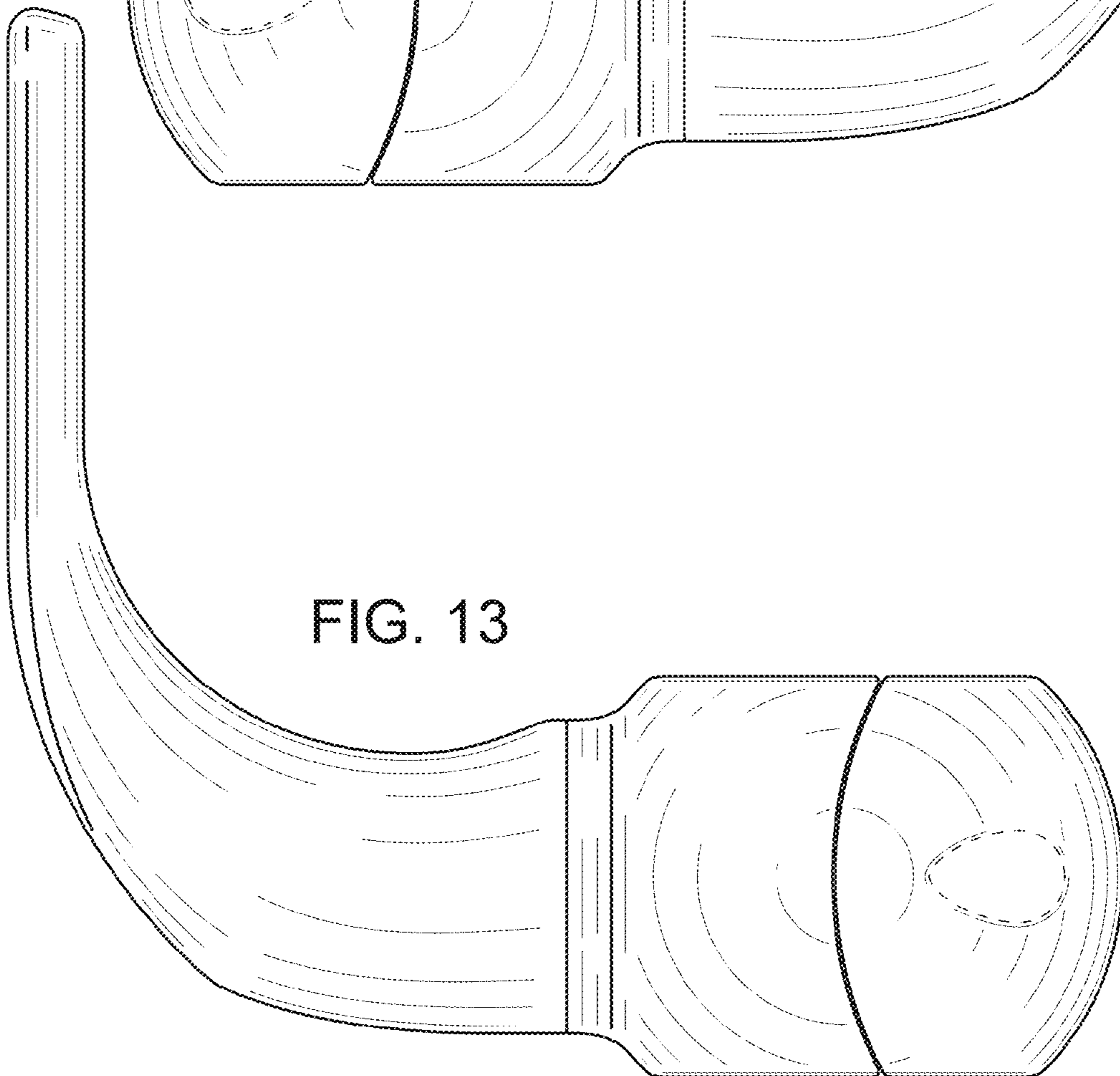


FIG. 13



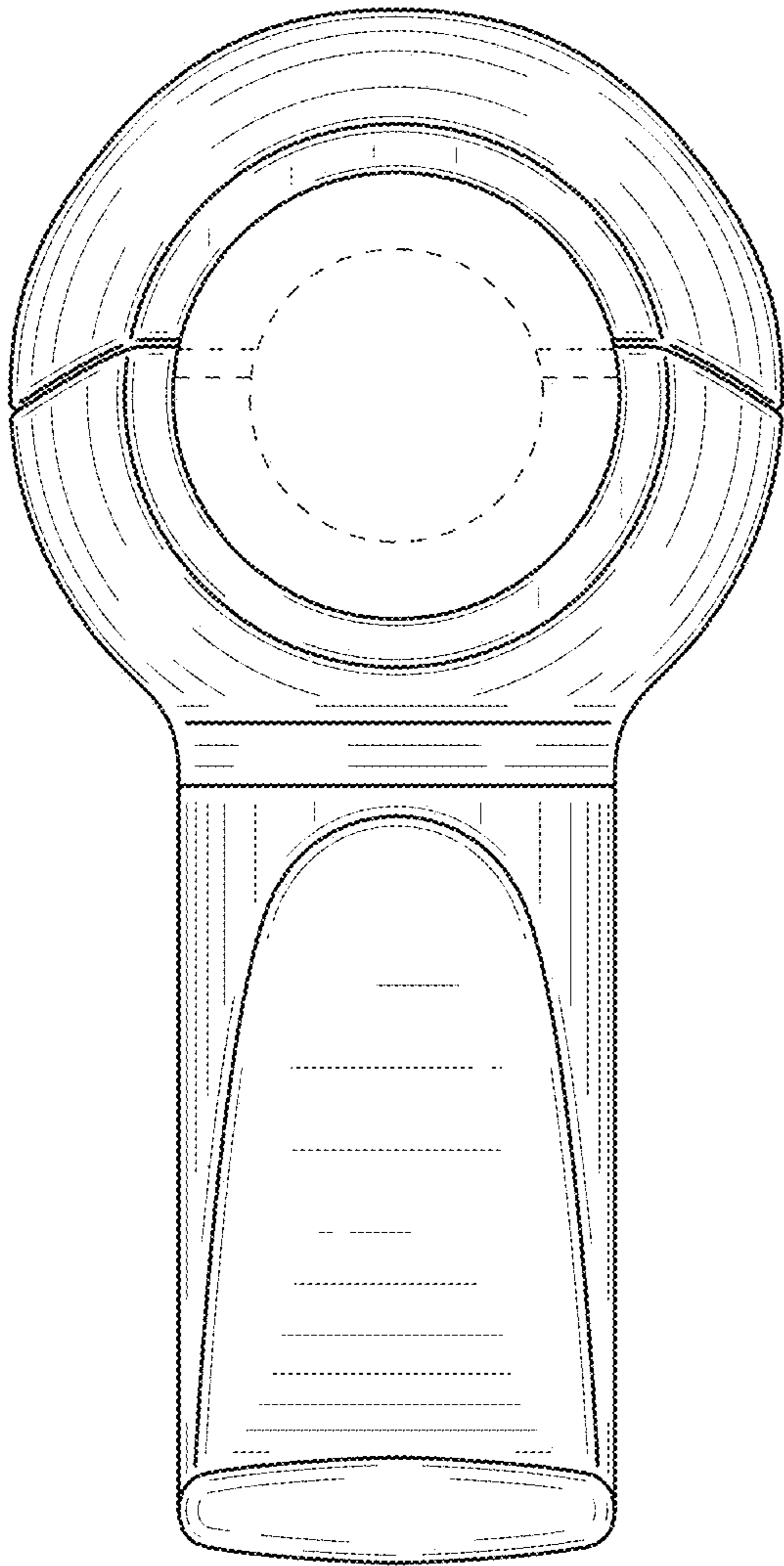


FIG. 14

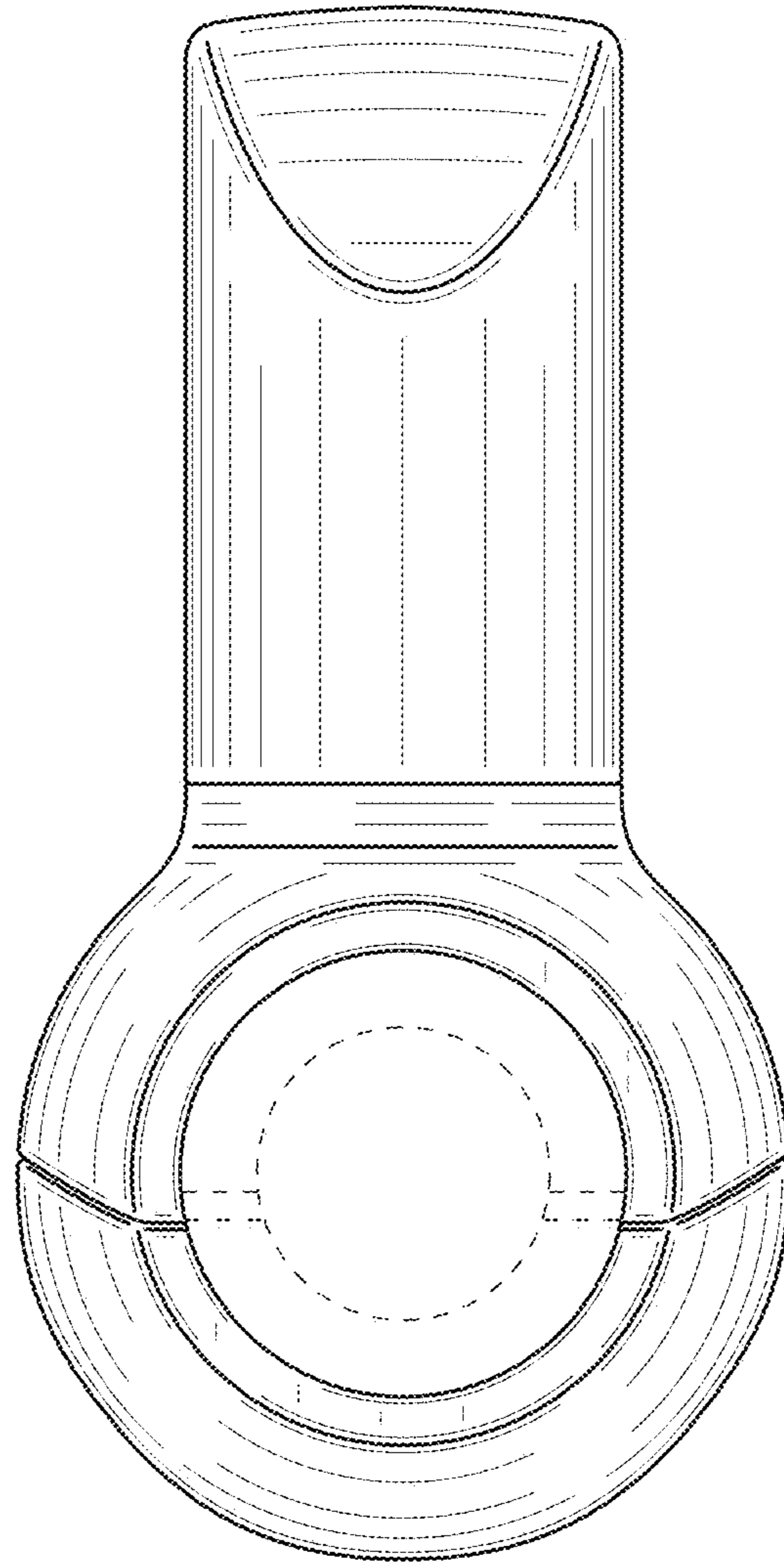


FIG. 15

FIG. 16

