



US00D940527S

(12) **United States Design Patent**
Kessler et al.

(10) **Patent No.:** **US D940,527 S**

(45) **Date of Patent:** **** Jan. 11, 2022**

(54) **LOW TOUCH UTENSIL**

(71) Applicant: **R&L MARKETING & SALES, INC.**,
Youngstown, OH (US)

(72) Inventors: **Ronald N. Kessler**, Girard, OH (US);
David M. Neill, Canfield, OH (US)

(73) Assignee: **R&L MARKETING & SALES, INC.**,
Youngstown, OH (US)

(**) Term: **15 Years**

(21) Appl. No.: **29/760,555**

(22) Filed: **Dec. 2, 2020**

(51) **LOC (13) Cl.** **08-06**

(52) **U.S. Cl.**
USPC **D8/301**; D8/19

(58) **Field of Classification Search**
USPC D8/16, 19, 105, 300, 301; D3/210
CPC Y10T 24/4755; Y10T 24/45969; Y10T
24/45408; Y10T 24/3484; Y10T
24/45974; Y10T 24/45199; Y10T
24/45288; Y10T 24/45963; F16B 45/00
See application file for complete search history.

(56) **References Cited**

U.S. PATENT DOCUMENTS

D292,499 S * 10/1987 Eddy D11/2
D304,671 S * 11/1989 Reaney D8/301
5,651,633 A * 7/1997 Howe E04H 15/64
135/135

D395,215 S * 6/1998 Siemion D8/33
D436,445 S * 1/2001 Goins D3/315
7,178,845 B1 * 2/2007 Metzger E05B 1/0053
294/169
10,036,415 B2 * 7/2018 Yitzhaki A44B 15/00
D926,000 S * 7/2021 Ying D8/14
D926,539 S * 8/2021 Ying D8/14
D930,448 S * 9/2021 Parker D8/14
D931,068 S * 9/2021 Ying D8/14
2007/0289101 A1 * 12/2007 Casteel E05B 1/0053
16/422
2019/0029405 A1 * 1/2019 Kolb F16B 45/00

* cited by examiner

Primary Examiner — Lauren R Calve

(74) *Attorney, Agent, or Firm* — Sand, Sebolt & Wernow
Co., LPA

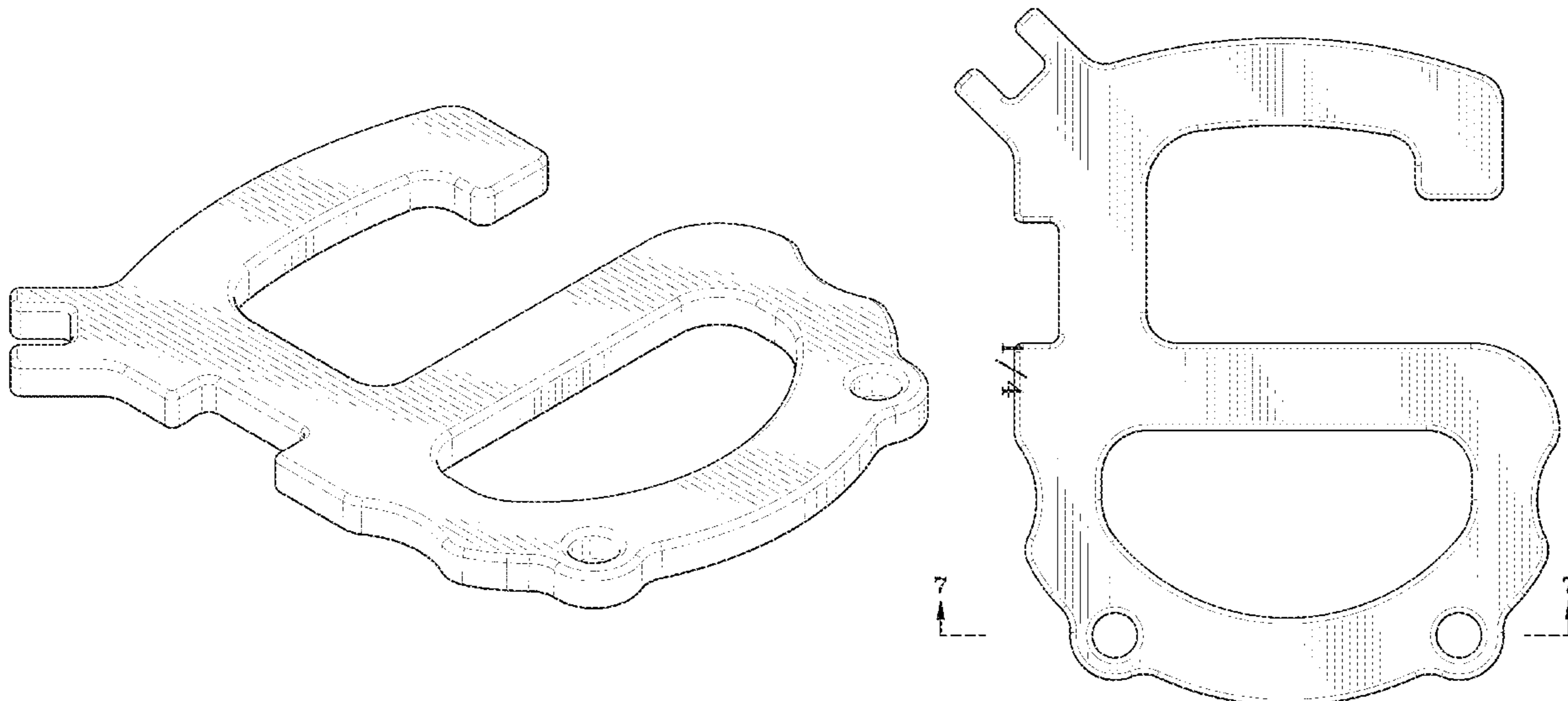
(57) **CLAIM**

The ornamental design for a low touch utensil, as shown and described.

DESCRIPTION

FIG. 1 is a front, left side, isometric, perspective view of a low touch utensil in accordance with our design;
FIG. 2 is a front elevation view of the low touch utensil;
FIG. 3 is a rear elevation view of the low touch utensil;
FIG. 4 is a right side elevation view of the low touch utensil;
FIG. 5 is a left side elevation view of the low touch utensil;
FIG. 6 is a top plan view of the low touch utensil;
FIG. 7 is a cross-section of the low touch utensil looking in the direction of line 7-7 of FIG. 6; and,
FIG. 8 is a bottom plan view of the low touch utensil.

1 Claim, 4 Drawing Sheets



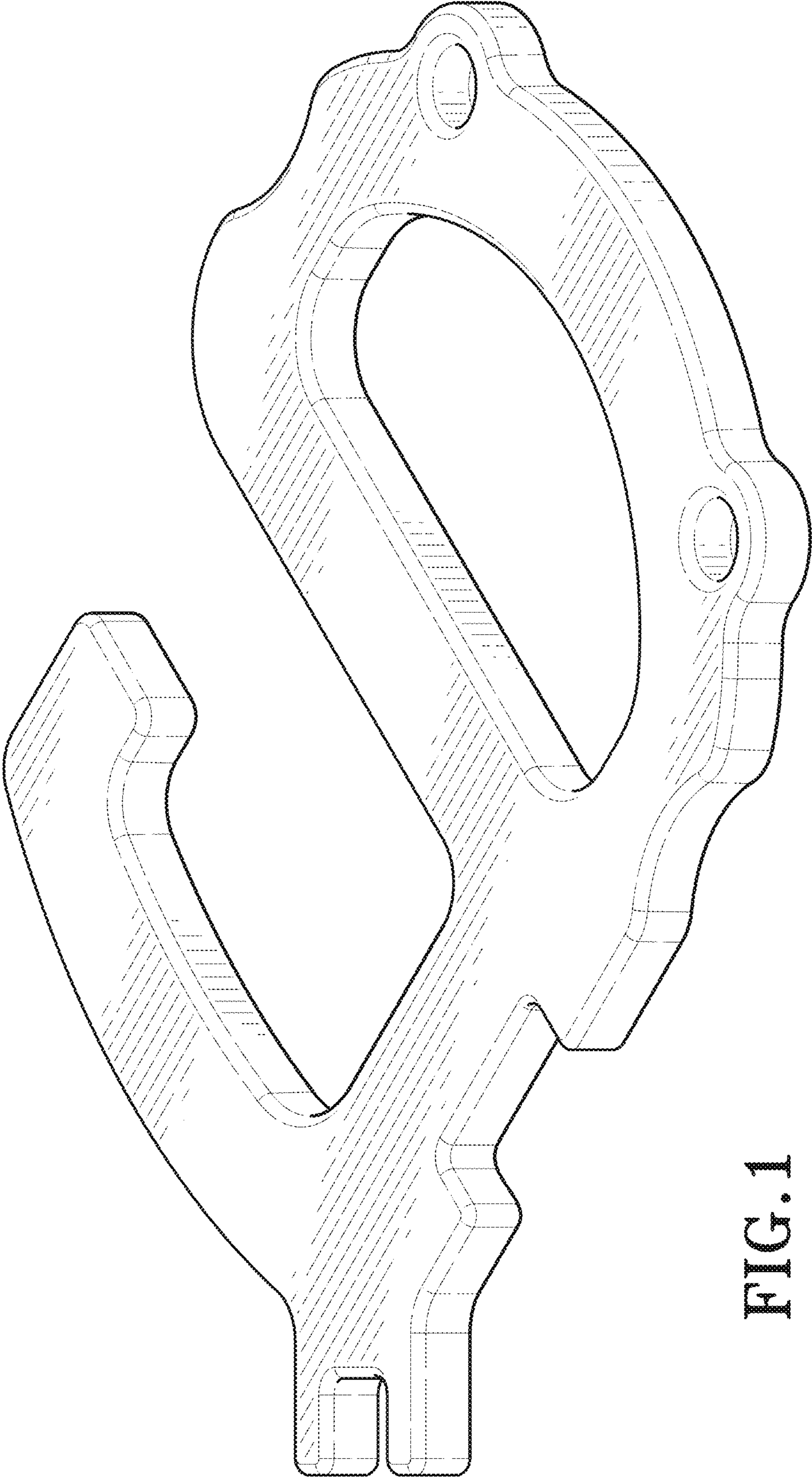


FIG. 1

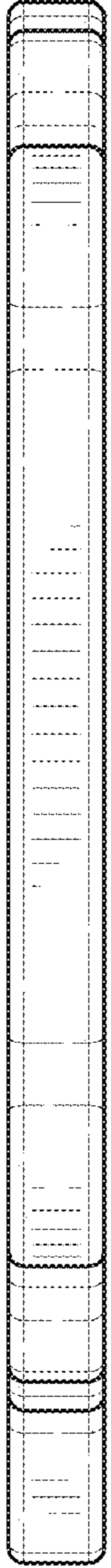


FIG. 2

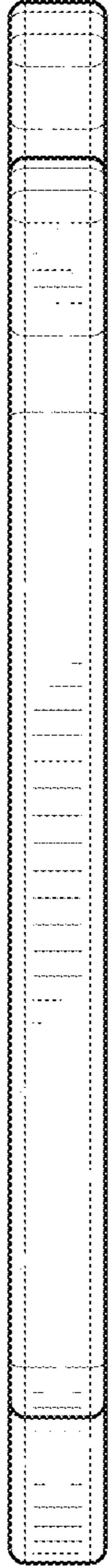


FIG. 3

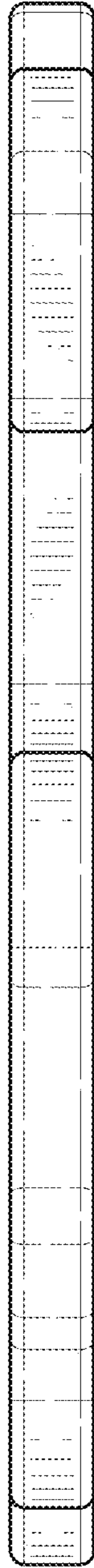


FIG. 4



FIG. 5

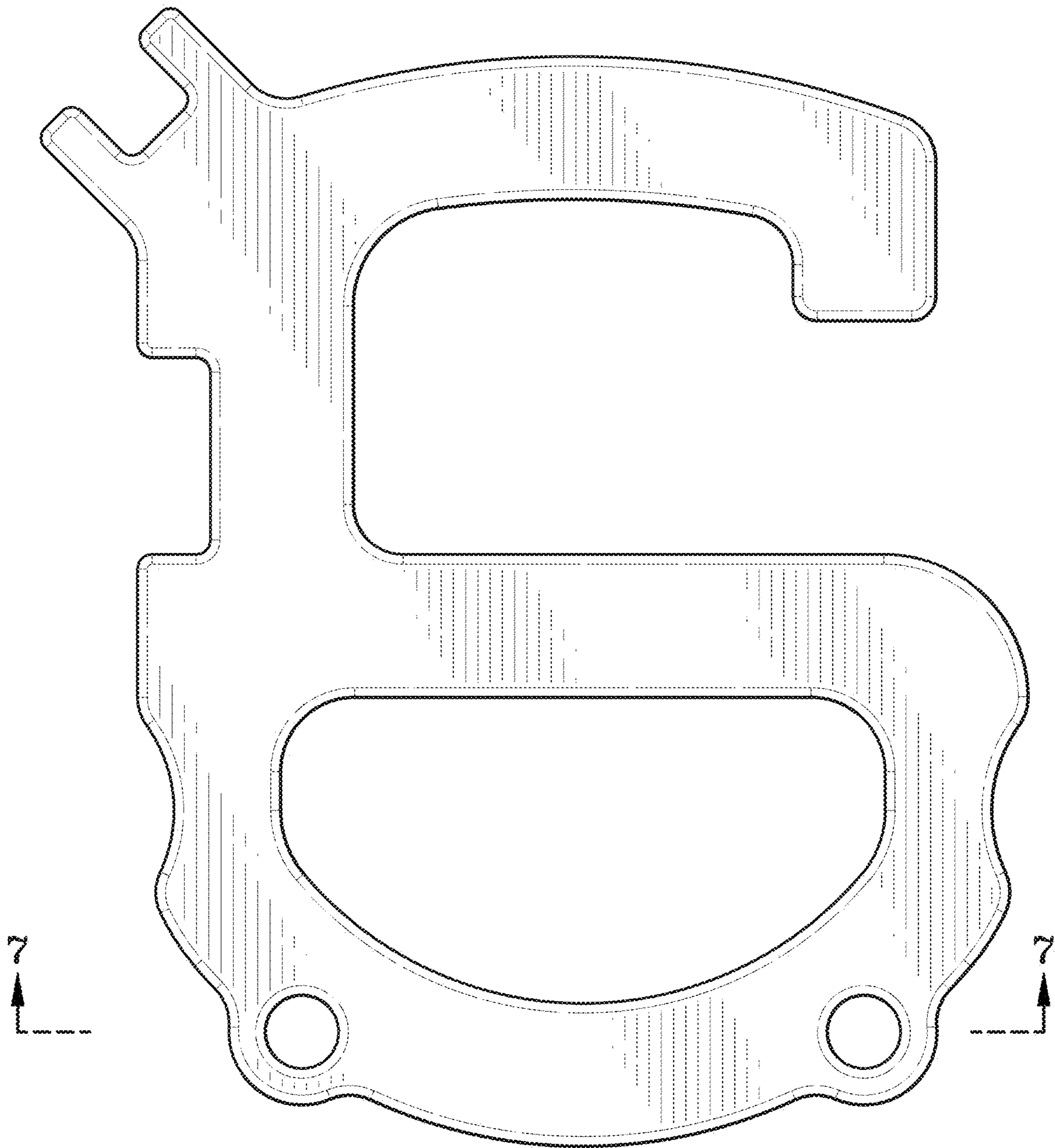


FIG. 6



FIG. 7

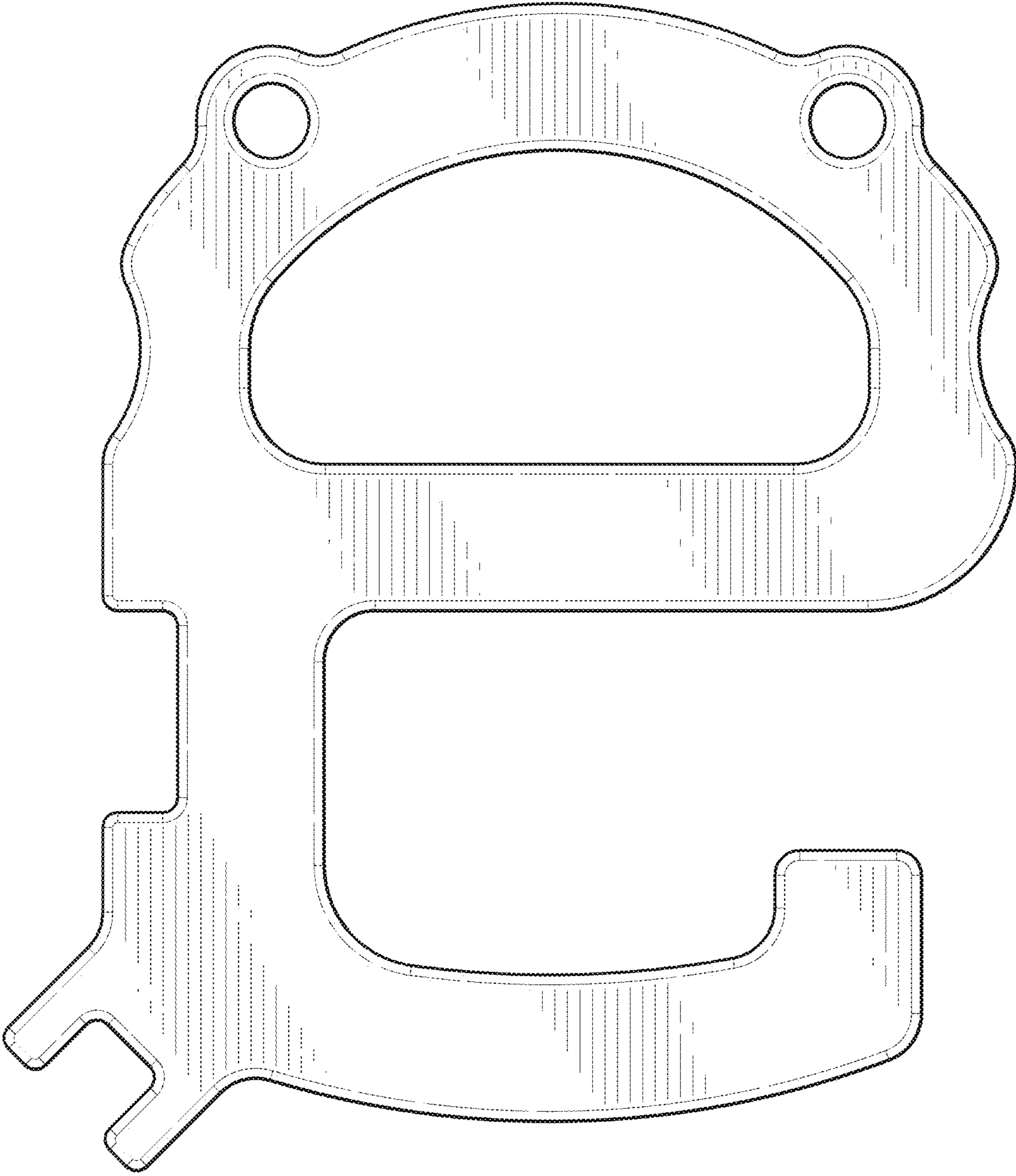


FIG. 8