



US00D940526S

(12) **United States Design Patent**
Pfeiffer et al.

(10) **Patent No.:** **US D940,526 S**
(45) **Date of Patent:** **** Jan. 11, 2022**

(54) **BIT DRIVER TOOL WITH BIT POCKETS**

- (71) Applicant: **WOLF TOOTH COMPONENTS, LLC**, Burnsville, MN (US)
- (72) Inventors: **Michael W. Pfeiffer**, Eden Prairie, MN (US); **Jack W. Hinkens**, Eden Prairie, MN (US); **Jonathan E. Rosemeier**, Prior Lake, MN (US)
- (73) Assignee: **Wolf Tooth Components, LLC**, Burnsville, MN (US)
- (**) Term: **15 Years**
- (21) Appl. No.: **29/718,635**
- (22) Filed: **Dec. 26, 2019**
- (51) **LOC (13) Cl.** **08-05**
- (52) **U.S. Cl.**
USPC **D8/105; D8/107**
- (58) **Field of Classification Search**
USPC D4/138; D7/395; D8/4, 14, 16, 19, 45, D8/55, 82, 83, 99, 105, 107; D12/127; D32/46, 49, 52
CPC B25B 15/00; B25B 15/002; B25B 15/004; B25B 15/005; B25B 15/008; B25B 23/0035; B25B 23/12
See application file for complete search history.

(56) **References Cited**

U.S. PATENT DOCUMENTS

D304,898 S	*	12/1989	Brawner	D8/26
D311,124 S	*	10/1990	Learney	D8/105
D340,172 S		10/1993	Her		
D415,944 S	*	11/1999	Chung	D8/105
D434,632 S	*	12/2000	Tseng	D8/105
D476,215 S	*	6/2003	Chuang	D8/105
D518,350 S	*	4/2006	Hay	D8/1
D518,351 S	*	4/2006	Hay	D8/1
D549,542 S	*	8/2007	Chiang	D8/105
D555,455 S	*	11/2007	Cheng	D8/105

(Continued)

OTHER PUBLICATIONS

EnCase System Hex Bit Wrench Multi-Tool, posted on amazon.com, earliest available Nov. 2019, no production date given, [online], [site visited May 6, 2021], URL: https://www.amazon.com/Wolf-Tooth-Components-EnCase-Multi-Tool/dp/B081B64JC9/ref=sr_1_2?dchild=1&keywords=encase+sys (Year: 2019).*

(Continued)

Primary Examiner — Michael C Stout

Assistant Examiner — Fritzgerald L Butac

(74) *Attorney, Agent, or Firm* — Dicke, Billig & Czaja, PLLC

(57) **CLAIM**

The ornamental design for a bit driver tool with bit pockets, substantially as shown and described.

DESCRIPTION

FIG. 1 is a front and left-side top perspective view of a bit driver tool with bit pockets showing our new design with a head of the bit driver tool in one position;

FIG. 2 is a rear and right-side top perspective view thereof;

FIG. 3 is a left-side bottom perspective view thereof;

FIG. 4 is a front view thereof;

FIG. 5 is a rear view thereof;

FIG. 6 is a left-side view thereof;

FIG. 7 is a right-side view thereof;

FIG. 8 is a top view thereof;

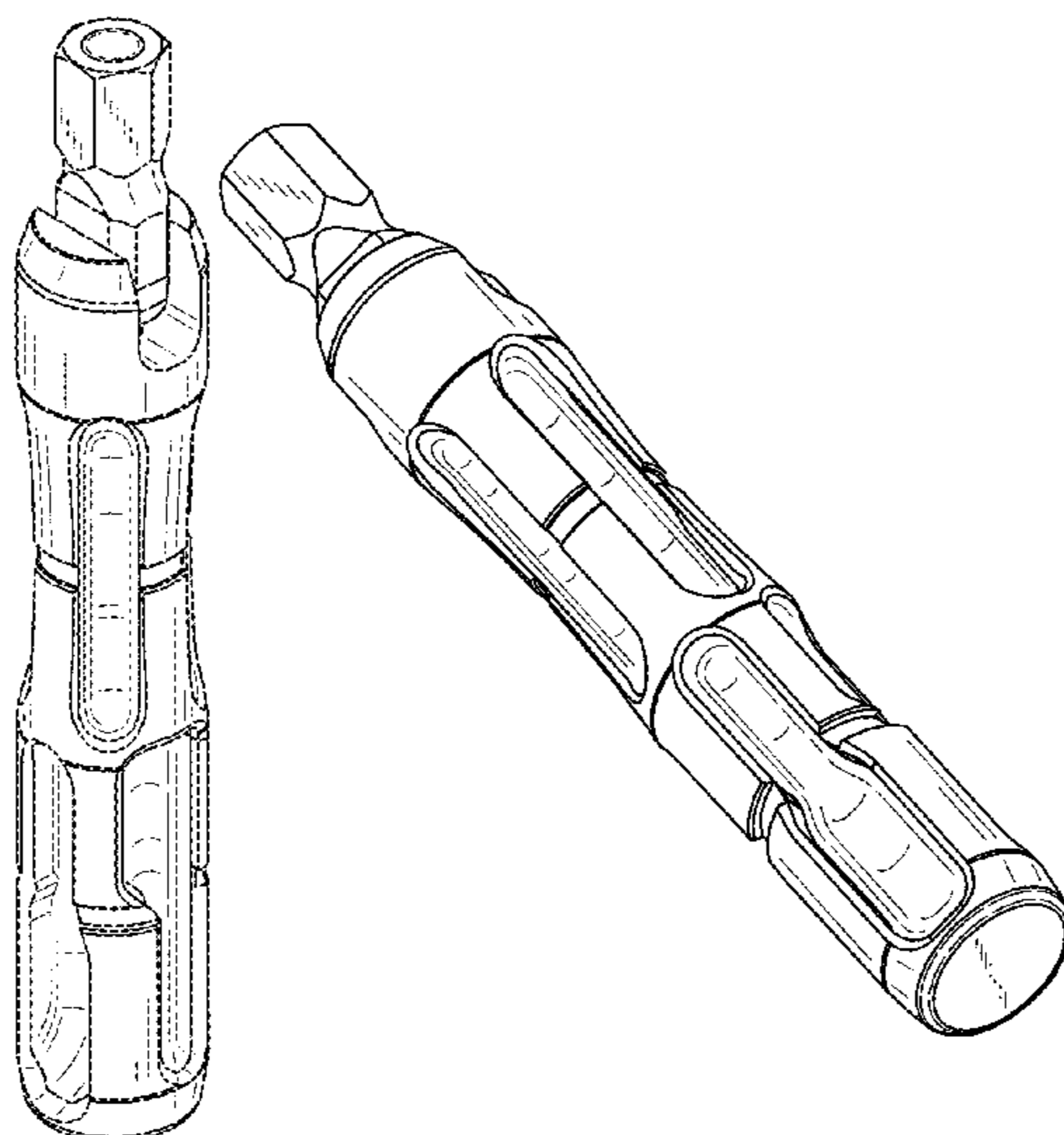
FIG. 9 is a bottom view thereof;

FIG. 10 is a rear and right-side top perspective view of the bit driver tool with the head of the bit driver tool in another position; and,

FIG. 11 is a right-side view of the bit driver tool with the head of the bit driver tool in the other position.

The broken lines show portions of a bit driver tool with bit pockets that form no part of the claimed design.

1 Claim, 7 Drawing Sheets



(56)

References Cited

U.S. PATENT DOCUMENTS

D601,799	S	10/2009	Andre et al.	
8,141,455	B2	3/2012	Ogburn	
D674,265	S *	1/2013	Greer	D8/85
D732,369	S *	6/2015	Rubin	D8/105
D741,681	S *	10/2015	Kirby	B65D 85/00 D8/105
D755,603	S *	5/2016	Reedy	D8/105
D804,274	S *	12/2017	Tsai	D8/105
D828,740	S	9/2018	Levand et al.	
D840,208	S *	2/2019	Scott	B25F 1/04 D8/107
D855,972	S *	8/2019	Scully	D3/219
D864,693	S *	10/2019	Levand	D8/107
D866,286	S *	11/2019	Parks	D8/105
D886,564	S *	6/2020	Dittmer	D8/105
D899,217	S *	10/2020	Bould	D8/105
D904,852	S *	12/2020	Levand	D8/107
D915,861	S *	4/2021	Zhong	D8/105
D918,003	S *	5/2021	Liu	D8/105

OTHER PUBLICATIONS

All In Multitool, retrieved Feb. 28, 2020, 4 pages, <<https://www.allinmultitool.co.uk/products/all-in-multitool>>.

All In Multitool V2—Black—With Chain Tool, retrieved Feb. 28, 2020, 4 pages, <<https://www.allinmultitool.co.uk/products/all-in-multitool-v2-black>>.

Barintool, retrieved Feb. 28, 2020, 11 pages, <<https://www.barintool.com/product-page/small-package?lang=en>>.

Mineral Design—Barstow System, retrieved Feb. 28, 2020, 7 pages, <<http://www.mineralbikes.com/shop/barstow-system>>.

Bikepacking.com, Bit Driver Multi-Tools for Bikepacking and Bike Touring, The Low Down Gear Guide, retrieved Feb. 28, 2020, 13 pages, <<https://bikepacking.com/gear/bit-driver-multi-tools/>>.

Lezyne—T-Drive Bike Multi Tool Kit, retrieved Feb. 28, 2020, 8 pages, <<https://ride.lezyne.com/collections/multi-tools/products/t-drive>>.

Road.cc, 12 of the Best Multi Tools—Get the Right Bits to Fix your Bike's Bits, retrieved Feb. 28, 2020, 9 pages, <<https://road.cc/content/buyers-guide/215058-12-best-multi-tools-get-right-bits-fix-your-bikes-bits>>.

Granite Design—Stash Chain Tool, retrieved Feb. 28, 2020, 4 pages, <<https://www.granite-design.com/stashchaintool>>.

Granite Design—Stash Multi-Tool, retrieved Feb. 28, 2020, 4 pages, <<https://www.granite-design.com/stashmultitool>>.

Granite Design—Stash Tire Plug Kit, retrieved Feb. 28, 2020, 4 pages, <<https://www.granite-design.com/stashtireplug>>.

Topeak—Ninja C, retrieved Feb. 28, 2020, 5 pages, <<https://www.topeak.com/global/en/products/ninja-series/102-ninja-c>>.

* cited by examiner

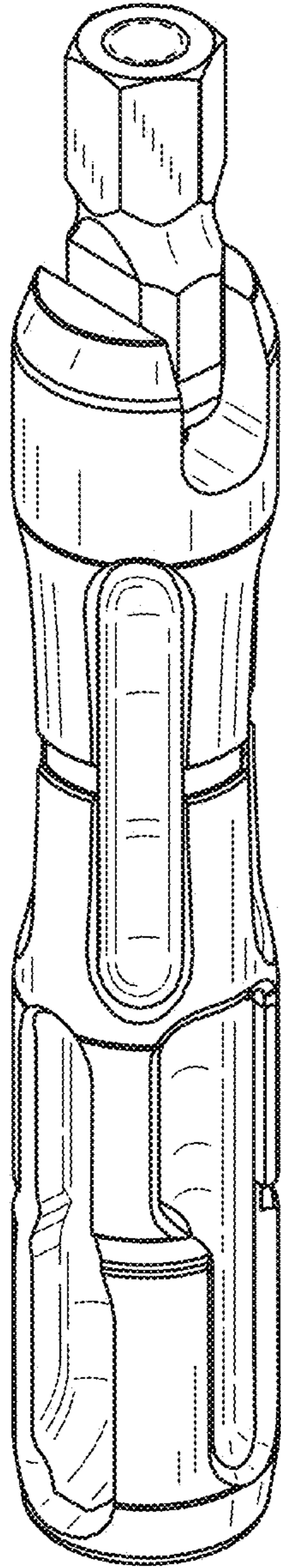


FIG. 1

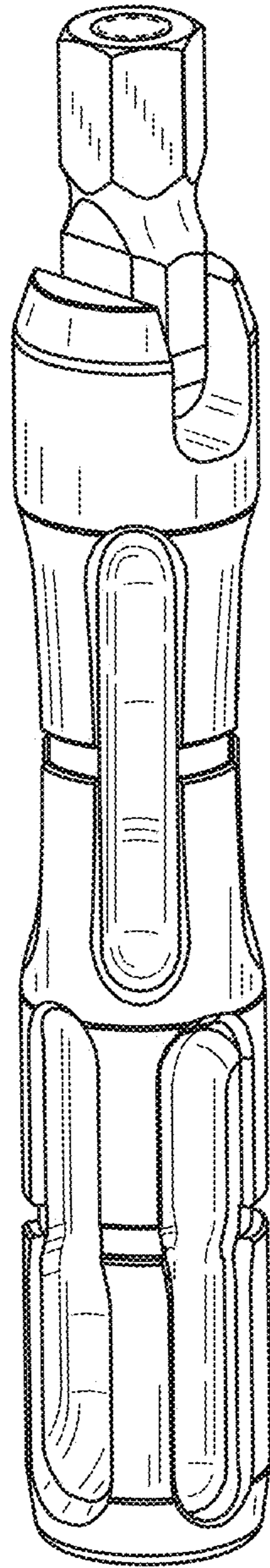


FIG. 2

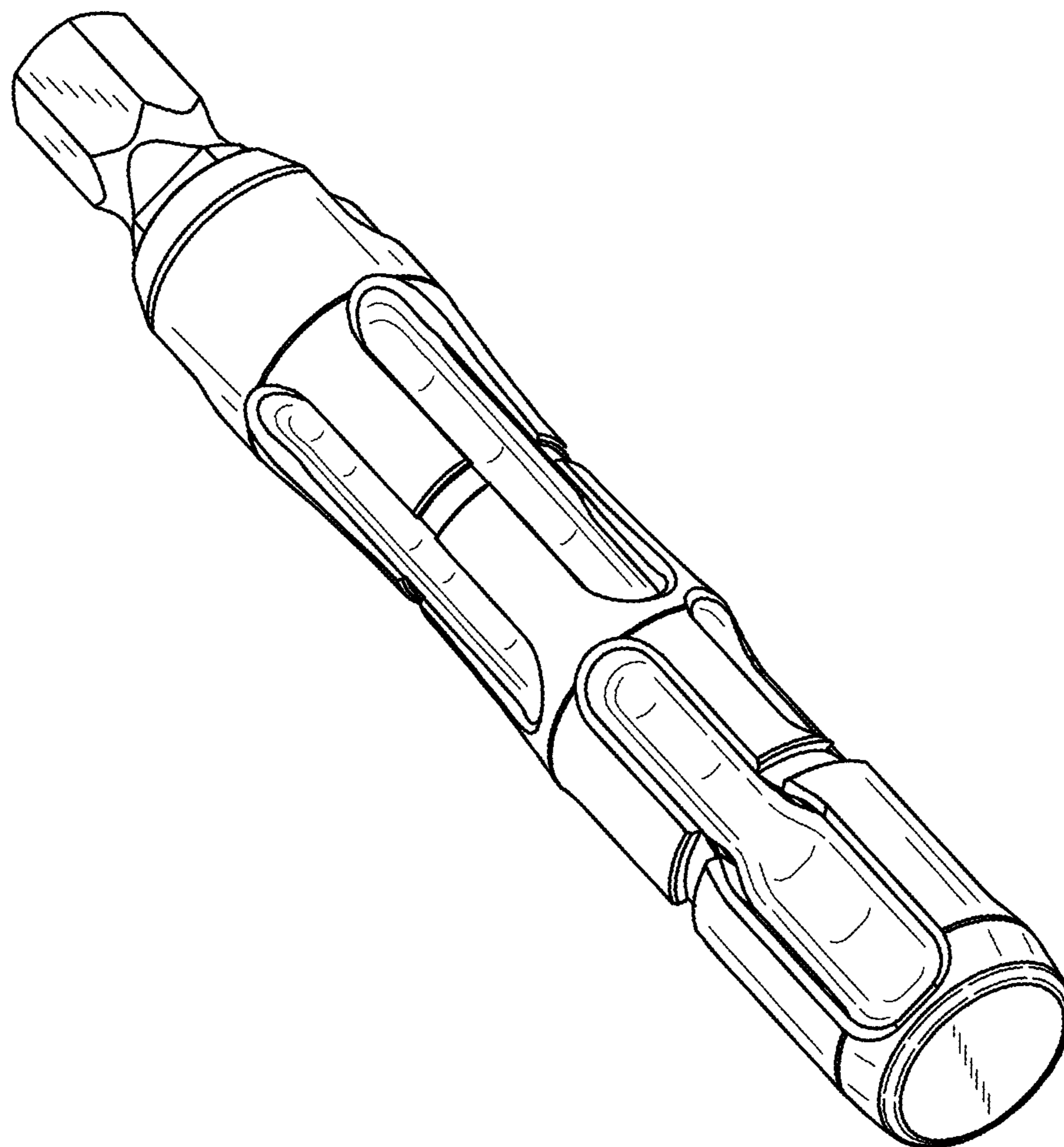


FIG. 3

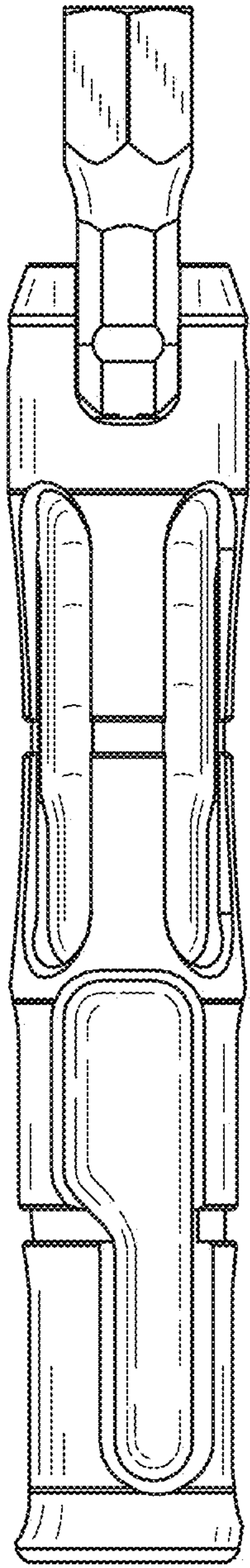


FIG. 4

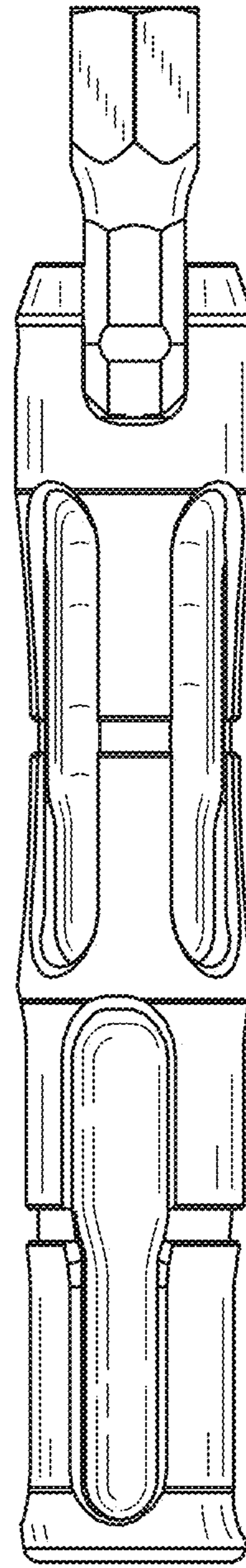


FIG. 5

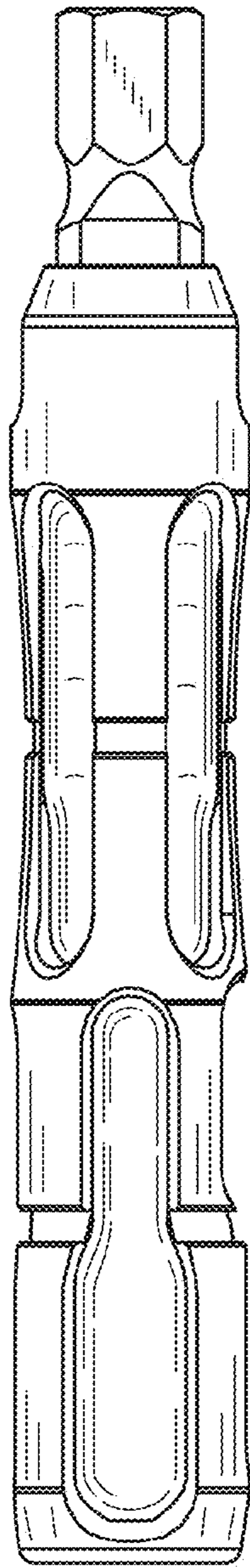


FIG. 6

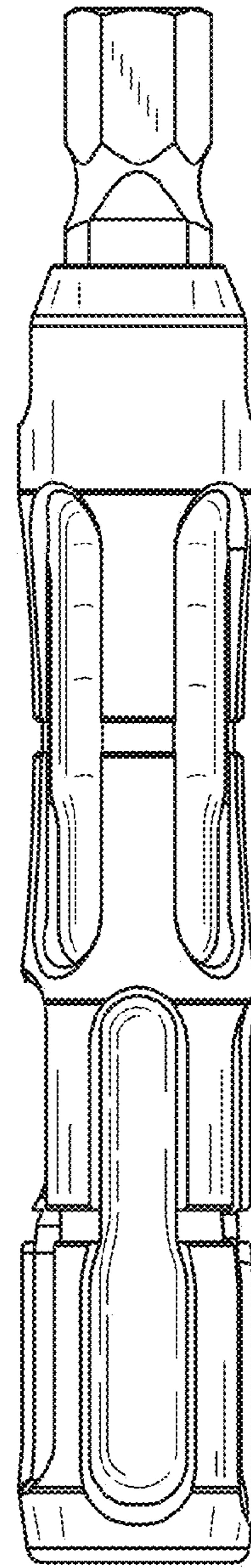


FIG. 7

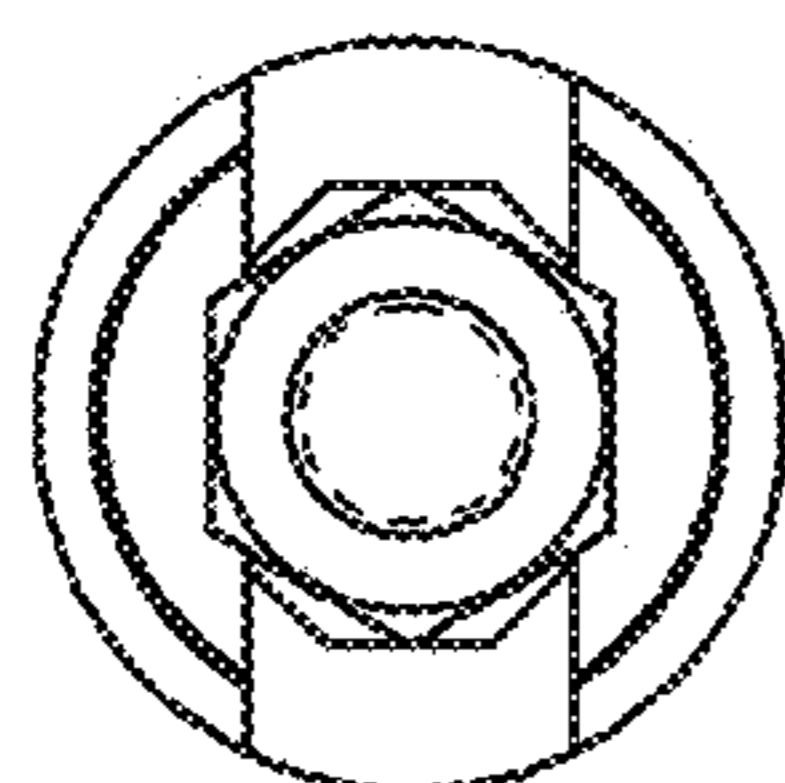


FIG. 8

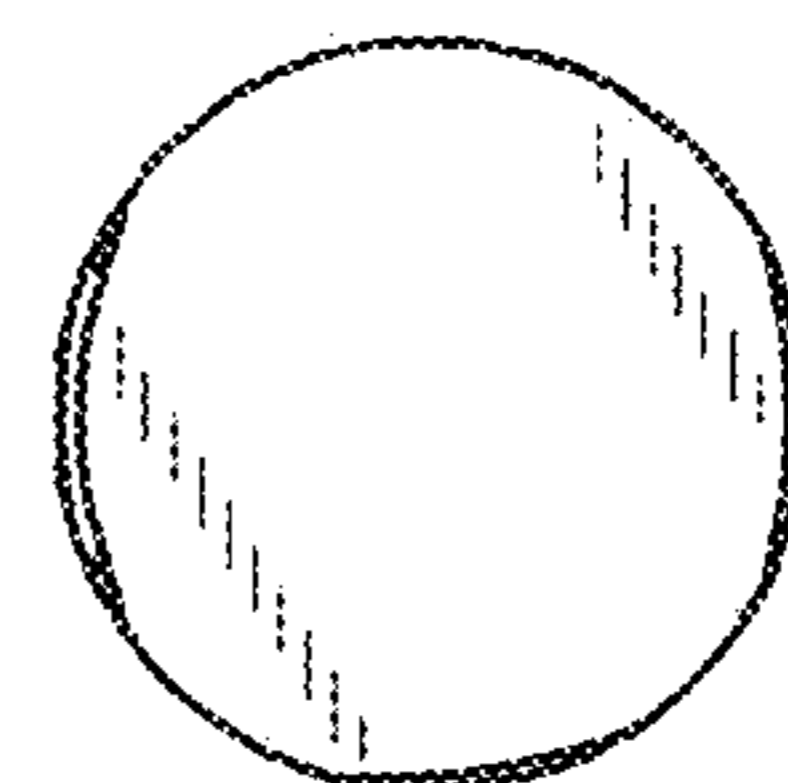


FIG. 9

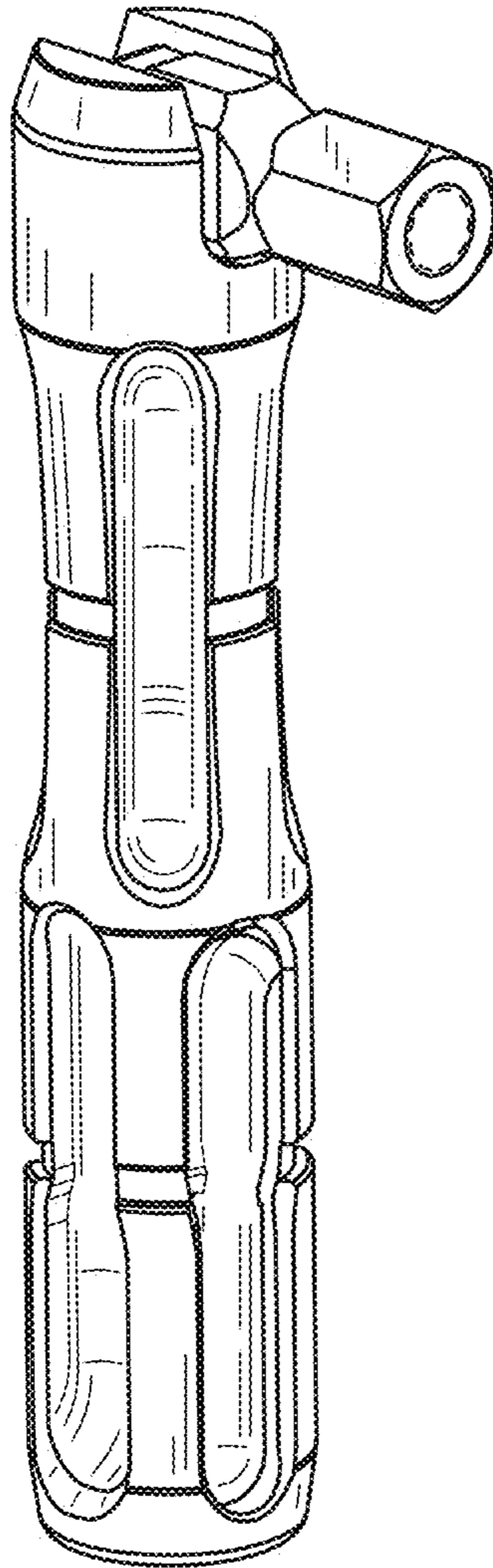


FIG. 10

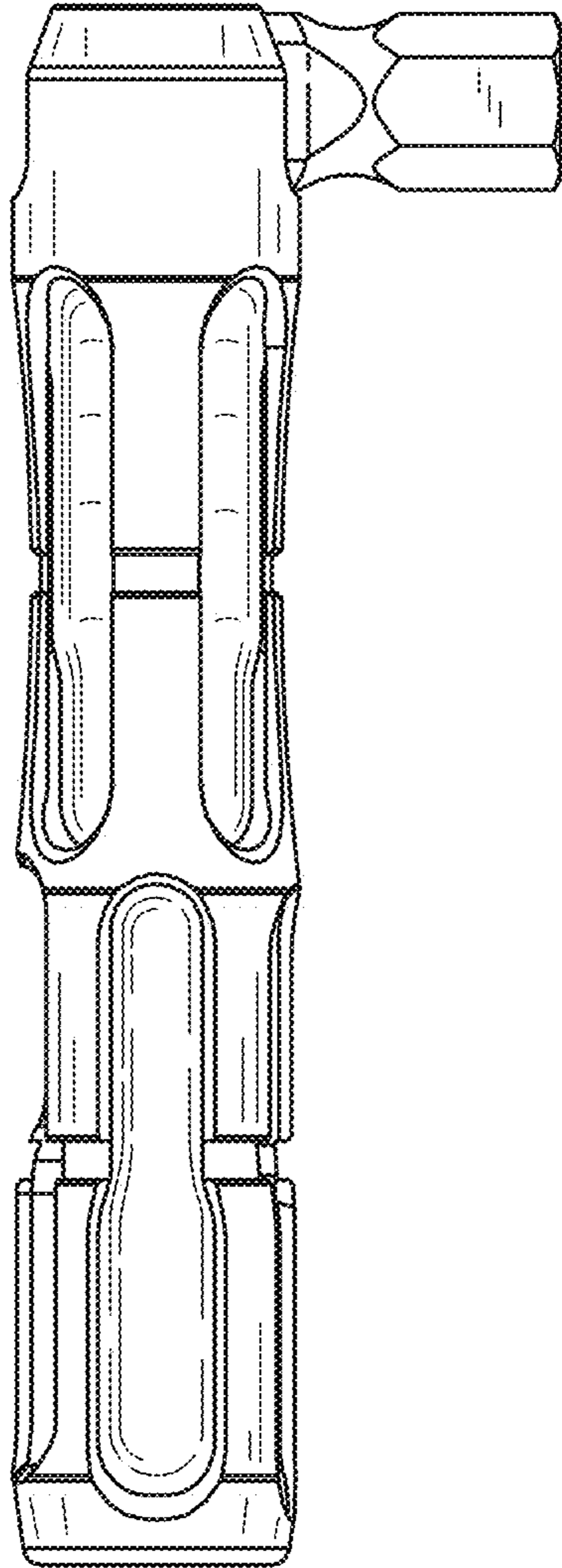


FIG. 11