



US00D940525S

(12) **United States Design Patent** (10) **Patent No.:** **US D940,525 S**
Brewer (45) **Date of Patent:** **** Jan. 11, 2022**

(54) **AUTOMATIC KNIFE**
(71) Applicant: **Axial Innovation LLC**, Spanish Fork, UT (US)
(72) Inventor: **Coleby P. Brewer**, Spanish Fork, UT (US)
(73) Assignee: **AXIAL INNOVATION LLC**, Spanish Fork, UT (US)
(**) Term: **15 Years**
(21) Appl. No.: **29/750,429**
(22) Filed: **Sep. 14, 2020**
(51) **LOC (13) Cl.** **08-03**
(52) **U.S. Cl.**
USPC **D8/99**
(58) **Field of Classification Search**
USPC D8/98, 99, 100, 105, 107
CPC B26B 5/001; B26B 5/003; B26B 11/00;
B26B 1/08; B26B 1/02; B26B 1/10;
B26B 1/04; B26B 1/042; B26B 1/044;
B26B 1/048; B26B 3/08; B26B 29/06;
B26B 5/00
See application file for complete search history.

(56) **References Cited**
U.S. PATENT DOCUMENTS
D510,514 S * 10/2005 Ray D8/99
D666,887 S 9/2012 Wattenberg
9,764,485 B1 * 9/2017 Hawk B26B 1/04
D810,540 S * 2/2018 Marfione D8/99
10,220,527 B1 * 3/2019 Marfione B26B 9/02
D865,478 S 11/2019 Marfione
D870,532 S 12/2019 Marfione
D871,187 S 12/2019 Marfione

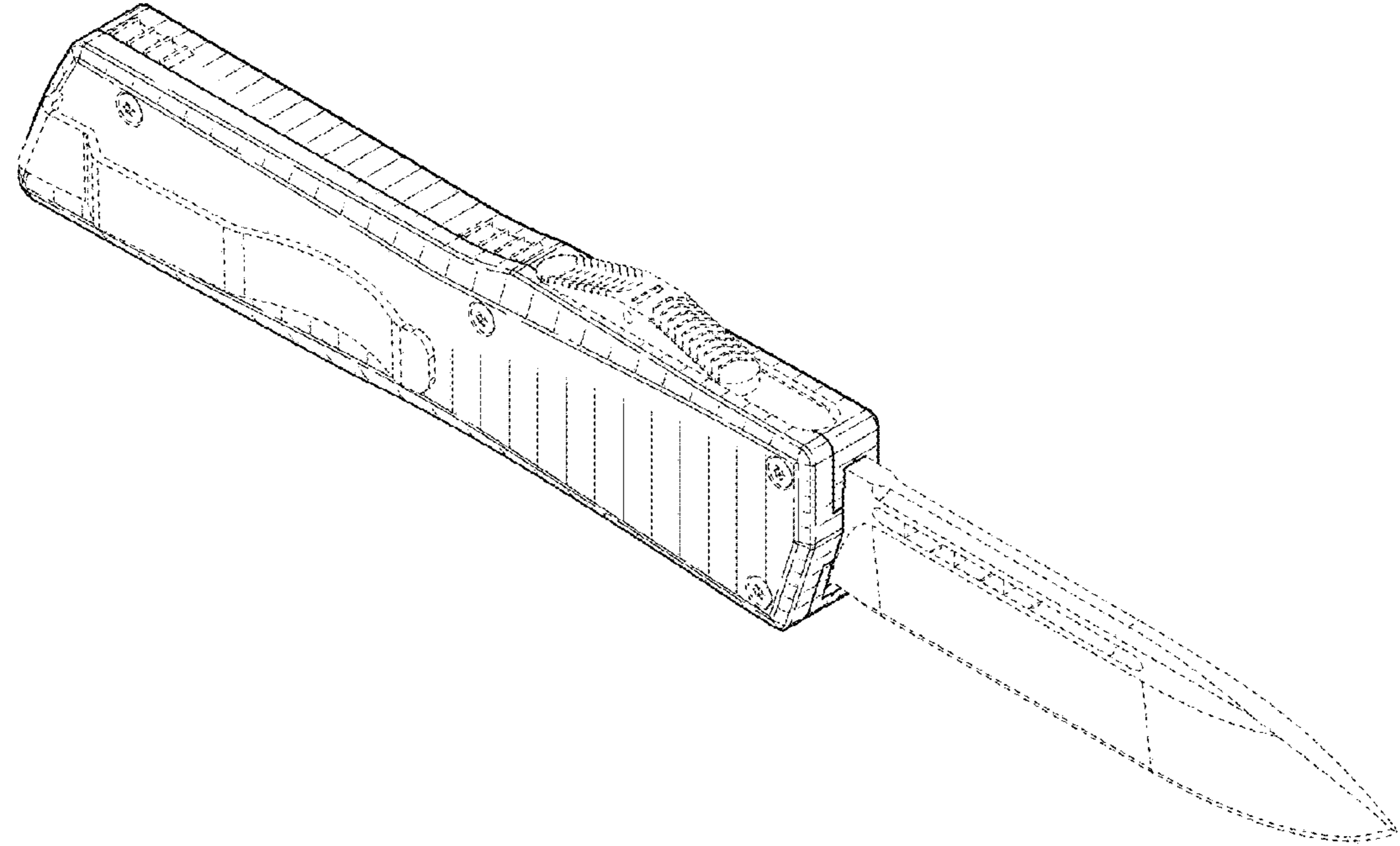
D871,877 S 1/2020 Terris et al.
D871,887 S * 1/2020 Marfione D8/99
D889,239 S * 7/2020 Marfione D8/99
D903,459 S * 12/2020 Marfione D8/99
D903,460 S * 12/2020 Marfione D8/99
2008/0222895 A1 * 9/2008 Marfione B26B 1/10
30/151
2008/0222897 A1 * 9/2008 Marfione B26B 1/08
30/162
2009/0235534 A1 * 9/2009 Chu B26B 1/10
30/162
2014/0101943 A1 * 4/2014 Chu B26B 1/08
30/162
2014/0173911 A1 * 6/2014 Chu B26B 1/08
30/162

* cited by examiner
Primary Examiner — Philip S Hyder
(74) *Attorney, Agent, or Firm* — Goodhue, Coleman & Owens, P.C.

(57) **CLAIM**
The ornamental design for an automatic knife, as shown and described.

DESCRIPTION
FIG. 1 is a perspective view of an automatic knife showing our new designs;
FIG. 2 is a front view thereof;
FIG. 3 is a rear view thereof;
FIG. 4 is a left side view thereof;
FIG. 5 is a right side view thereof;
FIG. 6 is a top view thereof; and,
FIG. 7 is a back view thereof.
The broken lines in the Figures show portions of the automatic knife which form no part of the claimed design.

1 Claim, 4 Drawing Sheets



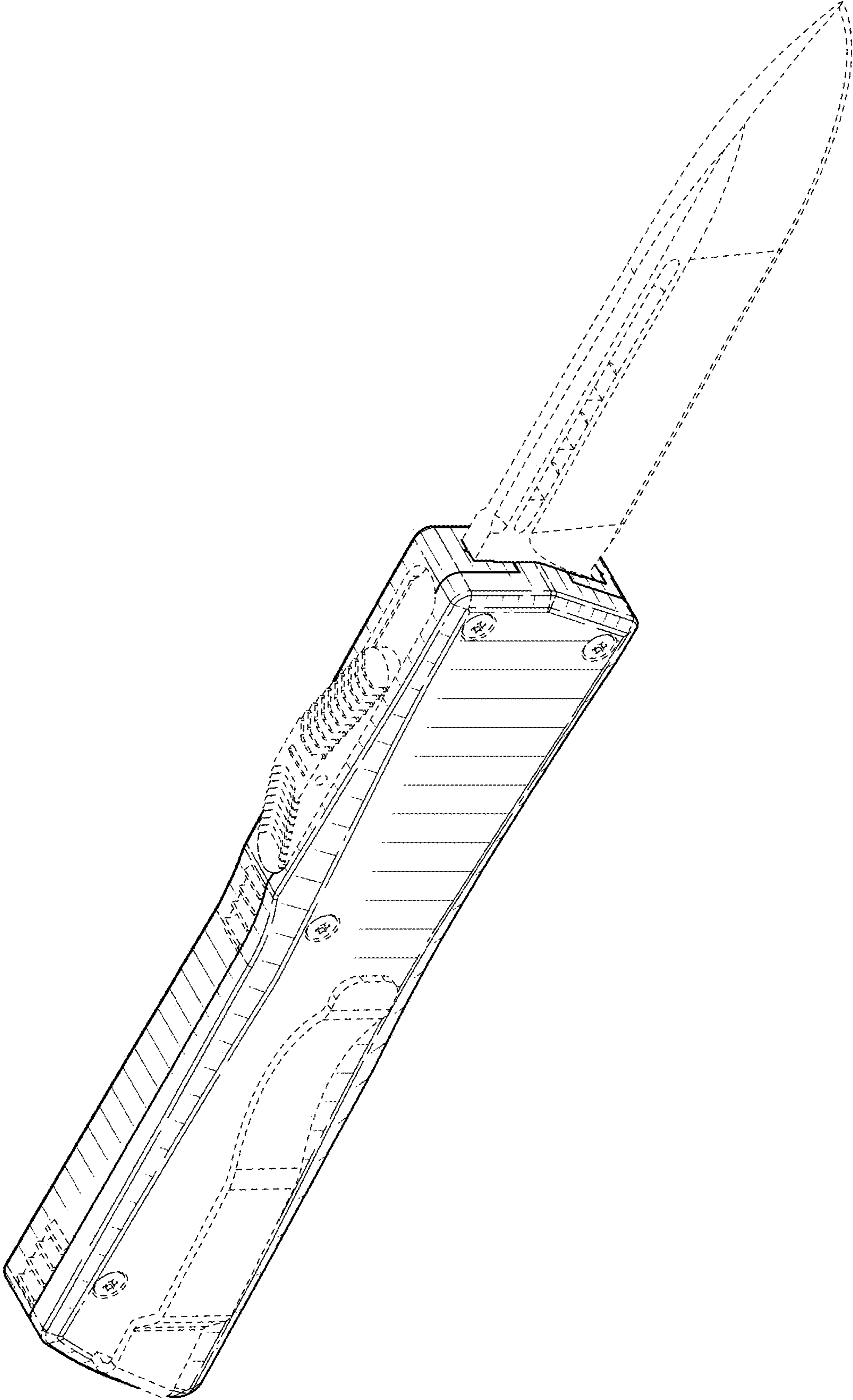


FIG. 1

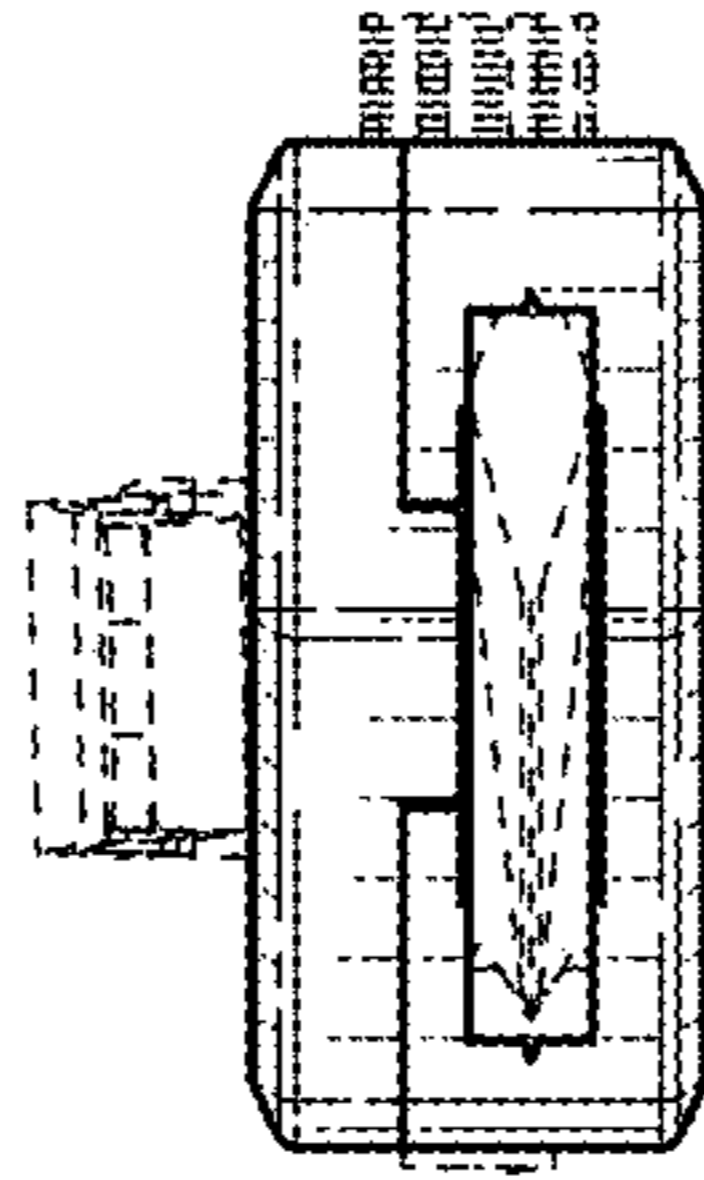


FIG. 2

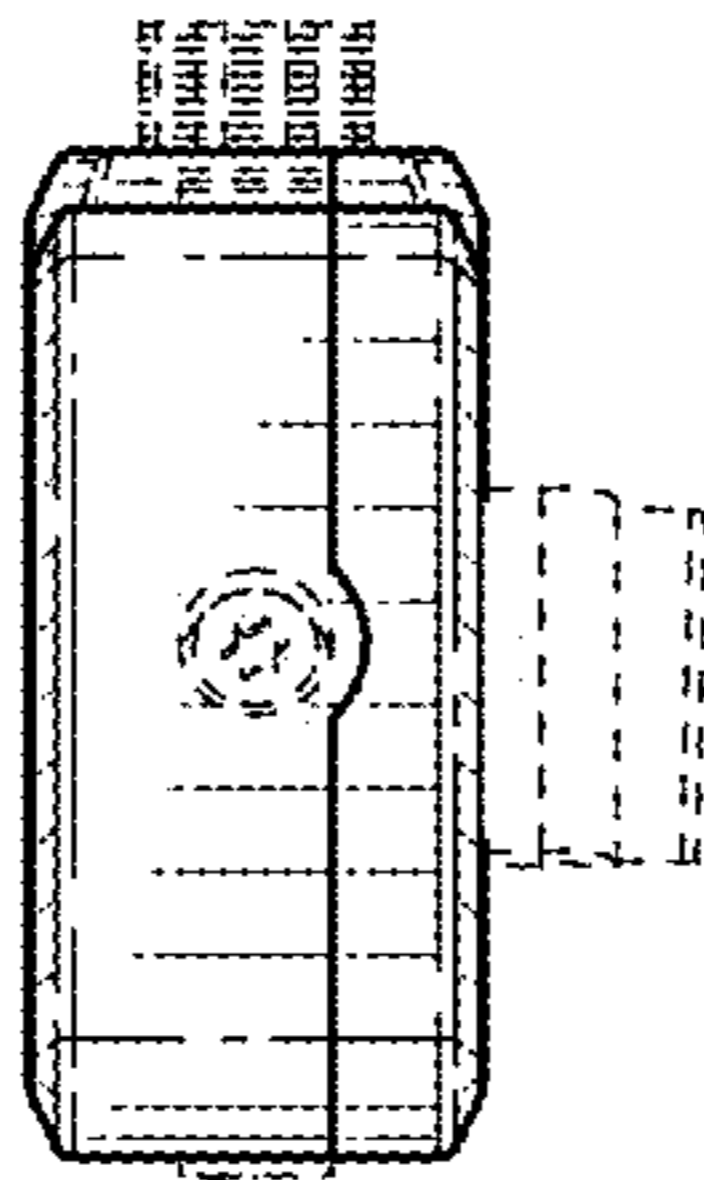


FIG. 3

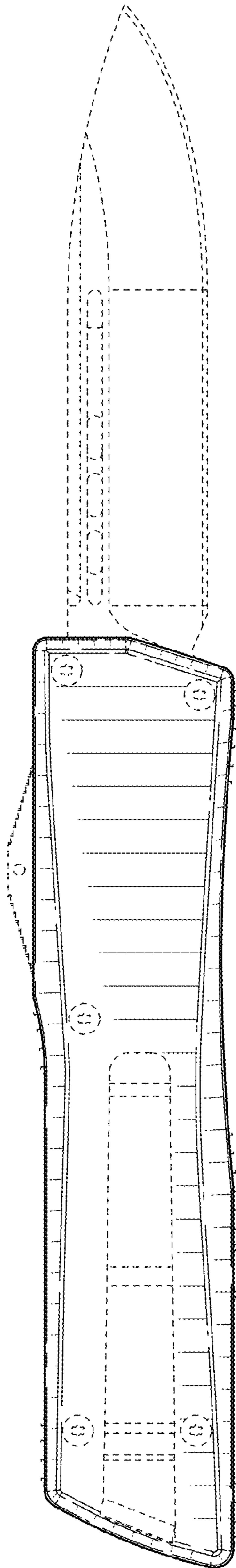


FIG. 4

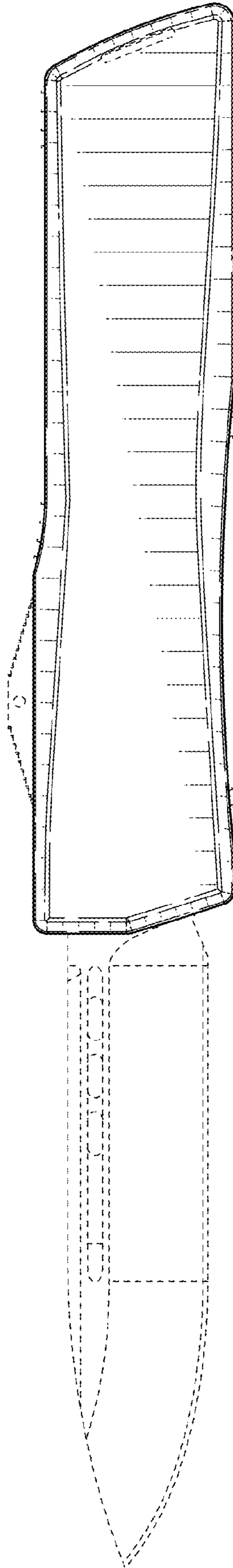


FIG. 5

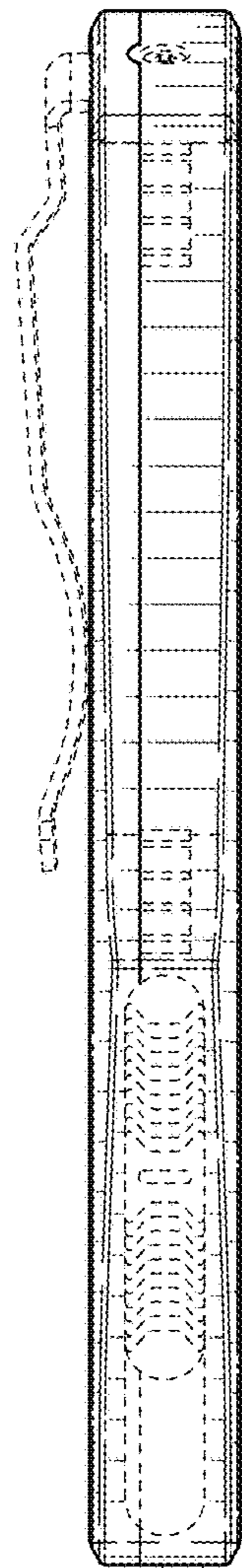


FIG. 6

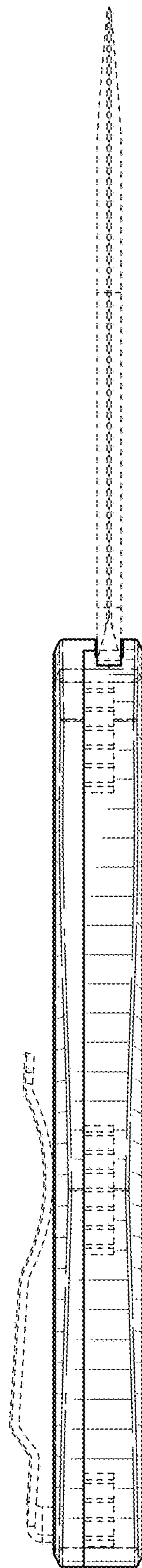


FIG. 7