



US00D940524S

(12) **United States Design Patent**
Lenart

(10) **Patent No.:** **US D940,524 S**
(45) **Date of Patent:** **** Jan. 11, 2022**

(54) **PRYING TOOL HEAD**

(71) Applicant: **Edward Lenart**, Farmington Hills, MI
(US)

(72) Inventor: **Edward Lenart**, Farmington Hills, MI
(US)

(**) Term: **15 Years**

(21) Appl. No.: **29/750,950**

(22) Filed: **Sep. 17, 2020**

(51) **LOC (13) Cl.** **08-05**

(52) **U.S. Cl.**
USPC **D8/89**

(58) **Field of Classification Search**
USPC D8/14, 88, 89, 45, 105; D32/46
CPC B25C 11/00; B66F 15/00; E04D 15/00;
E04G 23/086

See application file for complete search history.

(56) **References Cited**

U.S. PATENT DOCUMENTS

6,339,975	B1 *	1/2002	Harpell	E04D 15/003 254/131.5
6,439,542	B2 *	8/2002	Gjerde	B66F 15/00 254/131
6,644,627	B1 *	11/2003	Forrester	B66F 15/00 254/131
D532,273	S *	11/2006	Yoson	D8/88
D618,978	S *	7/2010	Nolle	D8/89
7,753,342	B1 *	7/2010	Nolle	B25C 11/00 254/25
8,215,617	B2 *	7/2012	Liou	B66F 15/00 254/131.5
8,763,225	B2 *	7/2014	Bruce	B25B 27/02 29/275

D786,042	S *	5/2017	Bridges	D8/88
10,793,410	B2 *	10/2020	Liou	B65G 7/02
10,882,725	B2 *	1/2021	Plunkett	B66F 15/00
2010/0170072	A1 *	7/2010	Elzey	B66F 15/00 29/278
2014/0182107	A1 *	7/2014	Nestor	B66F 15/00 29/426.5
2016/0023873	A1 *	1/2016	Kasan	E04G 23/08 254/131.5
2019/0375618	A1 *	12/2019	Huang	B25G 1/06

* cited by examiner

Primary Examiner — Philip S Hyder

(57) **CLAIM**

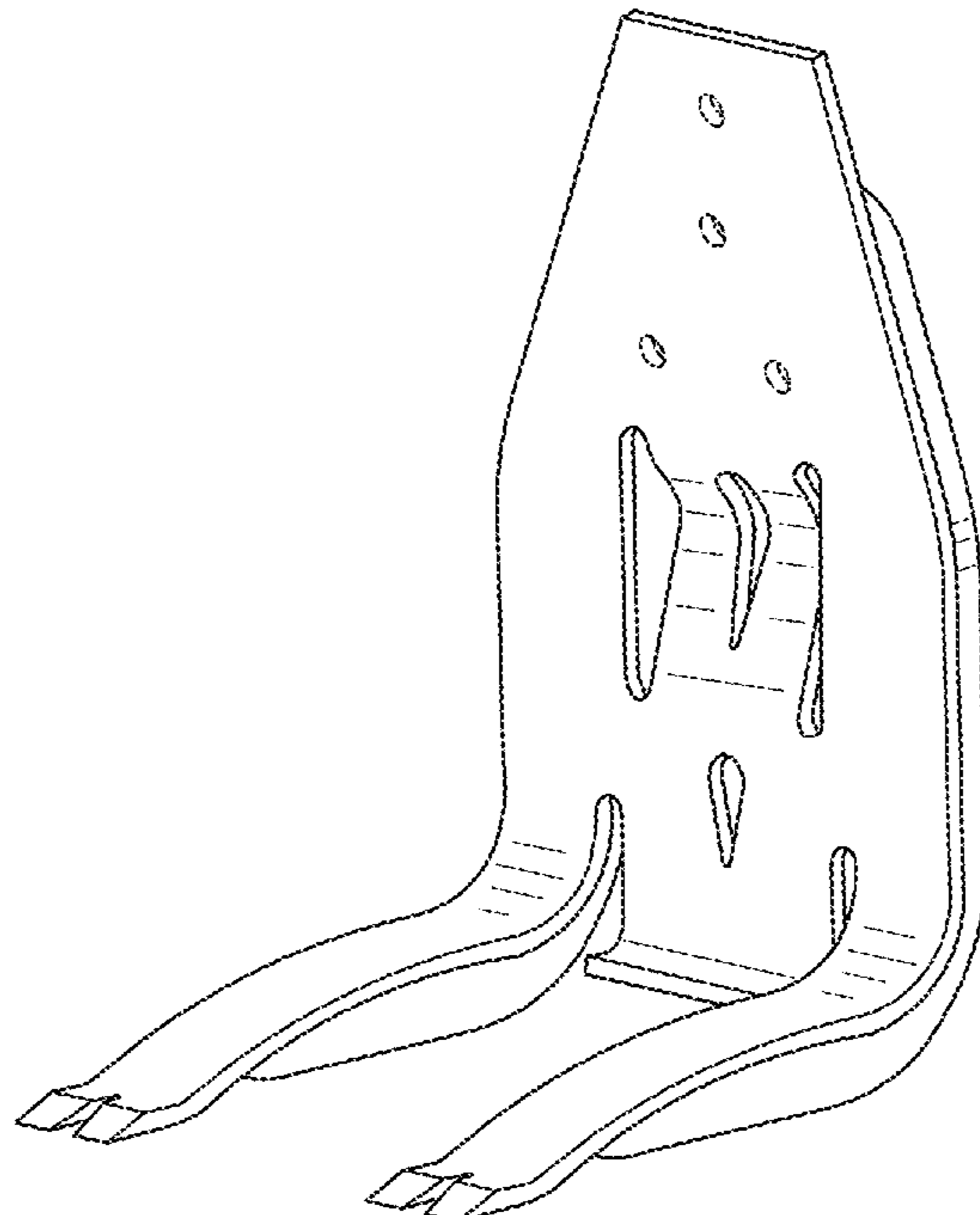
The ornamental design for a prying tool head, as shown and described.

DESCRIPTION

FIG. 1 is a front view of a prying tool head showing my new design;
 FIG. 2 is a rear view of the prying tool head;
 FIG. 3 is a right side view of the prying tool head, a left side view being a mirror image thereof;
 FIG. 4 is a top view of the prying tool head;
 FIG. 5 is a bottom view of the prying tool head;
 FIG. 6 is a top front side perspective view of the prying tool head;
 FIG. 7 is a top rear side perspective view of the prying toolhead; and,
 FIG. 8 is a bottom front side perspective view of the prying tool head.

The broken lines are illustrative of portions of the prying tool head forming no part of the claimed design.

1 Claim, 6 Drawing Sheets



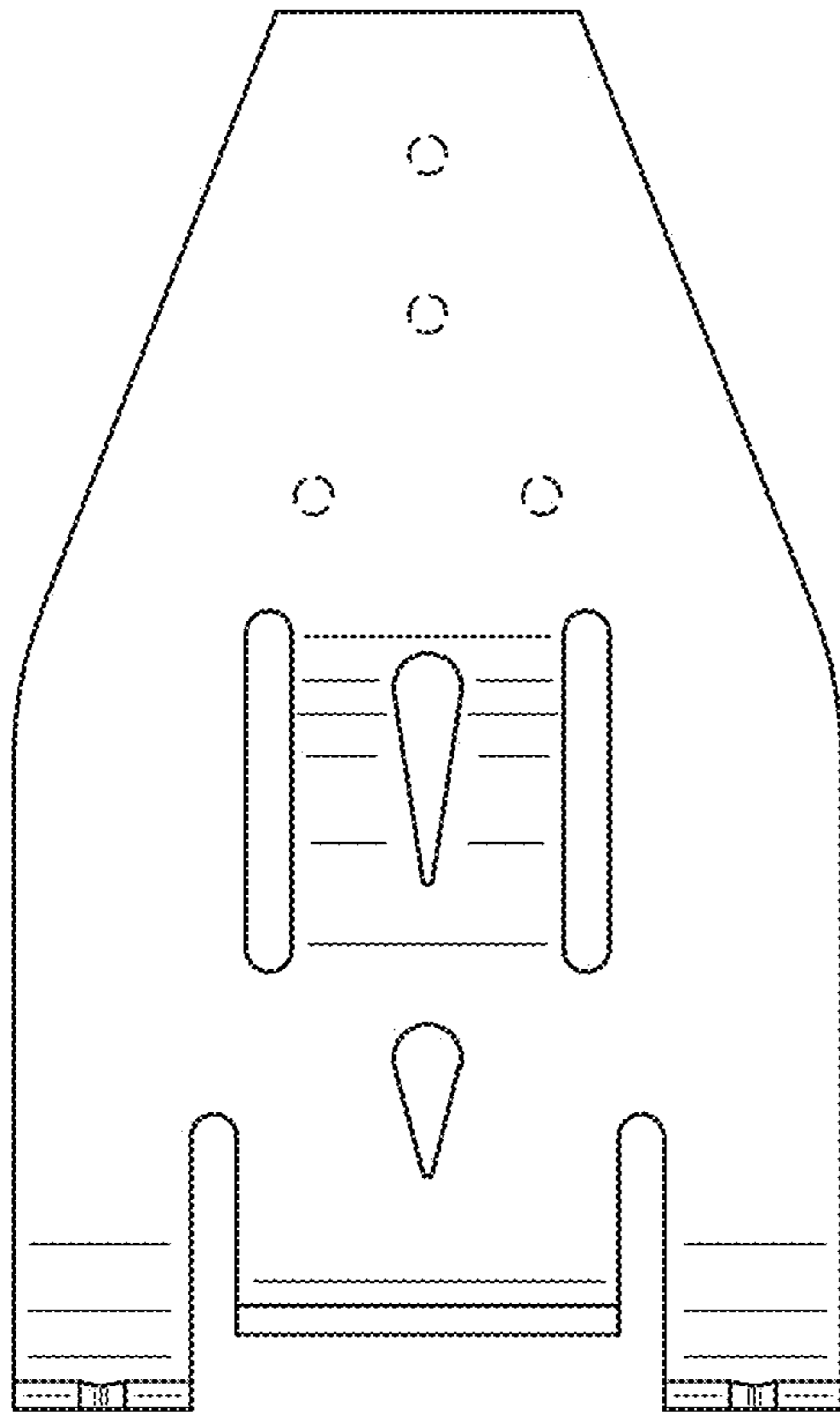


FIG. 1

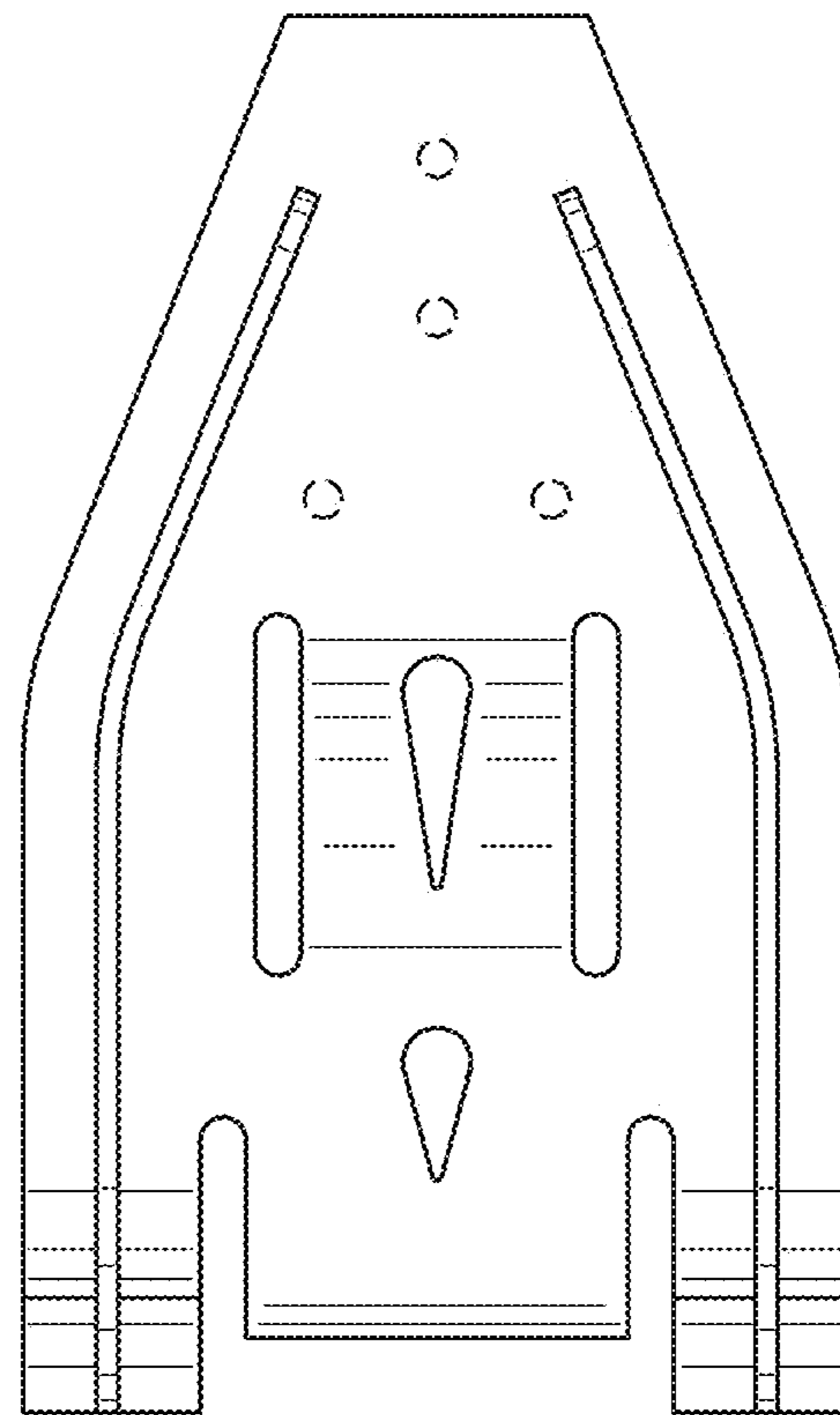


FIG. 2

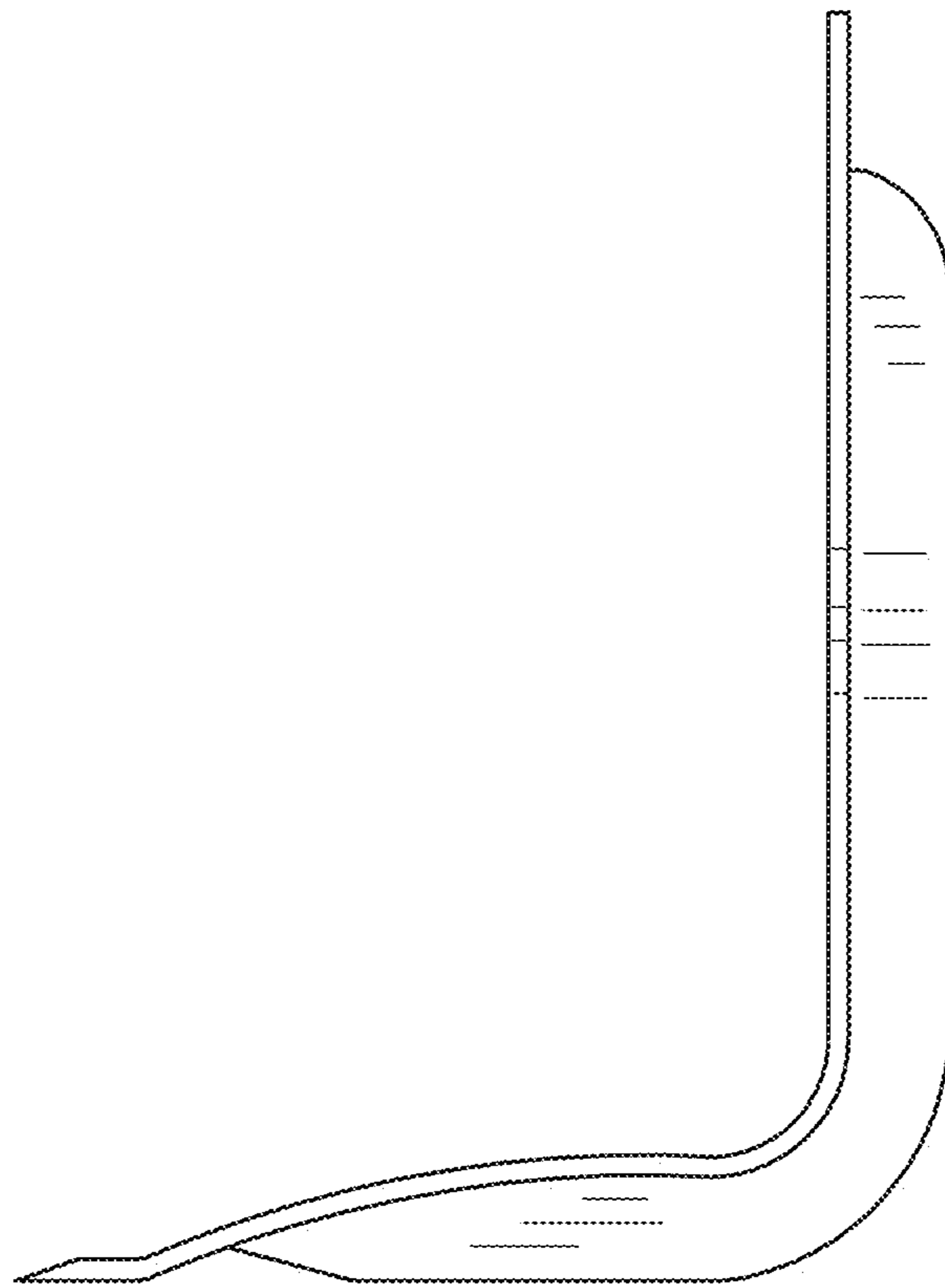


FIG. 3

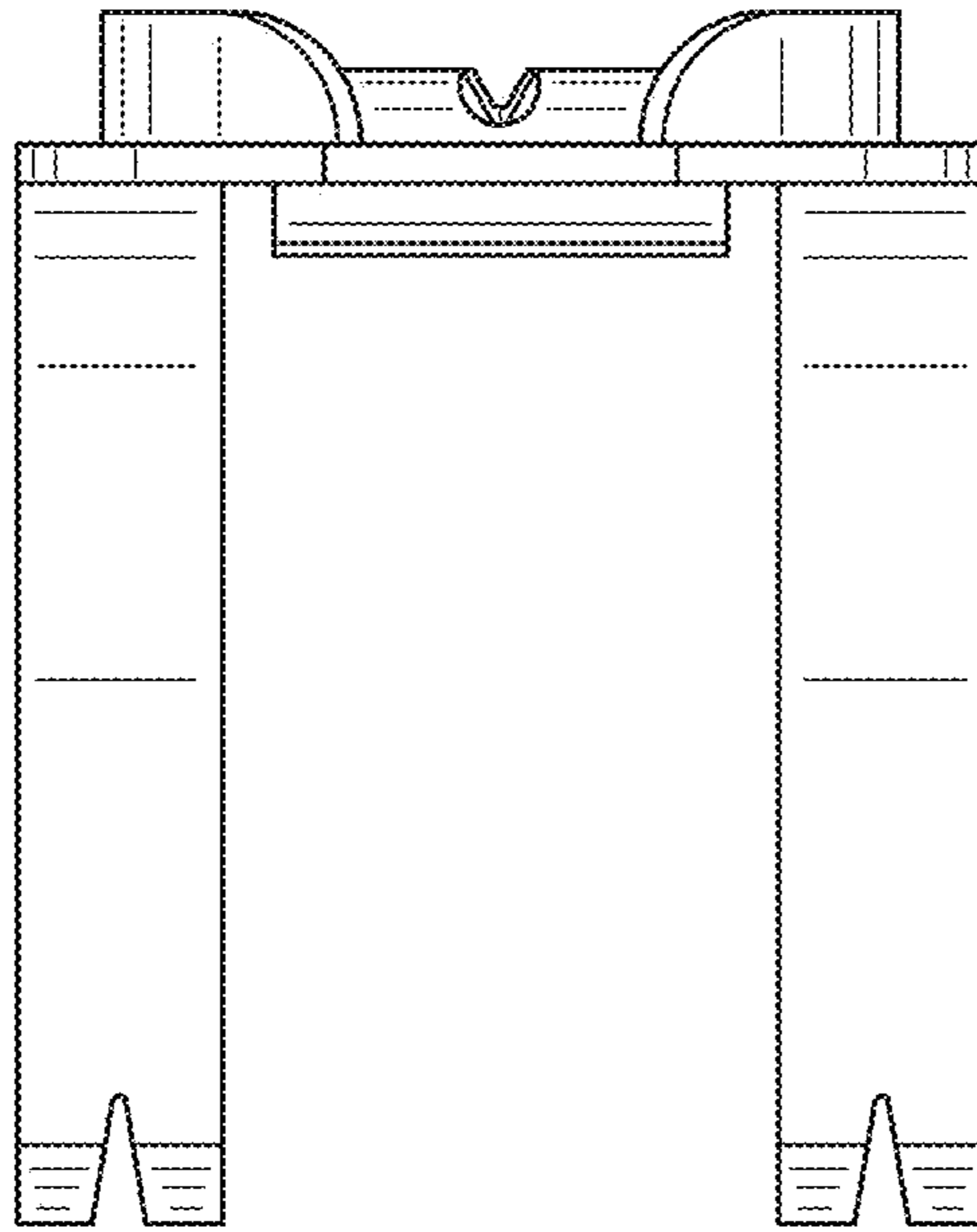


FIG. 4

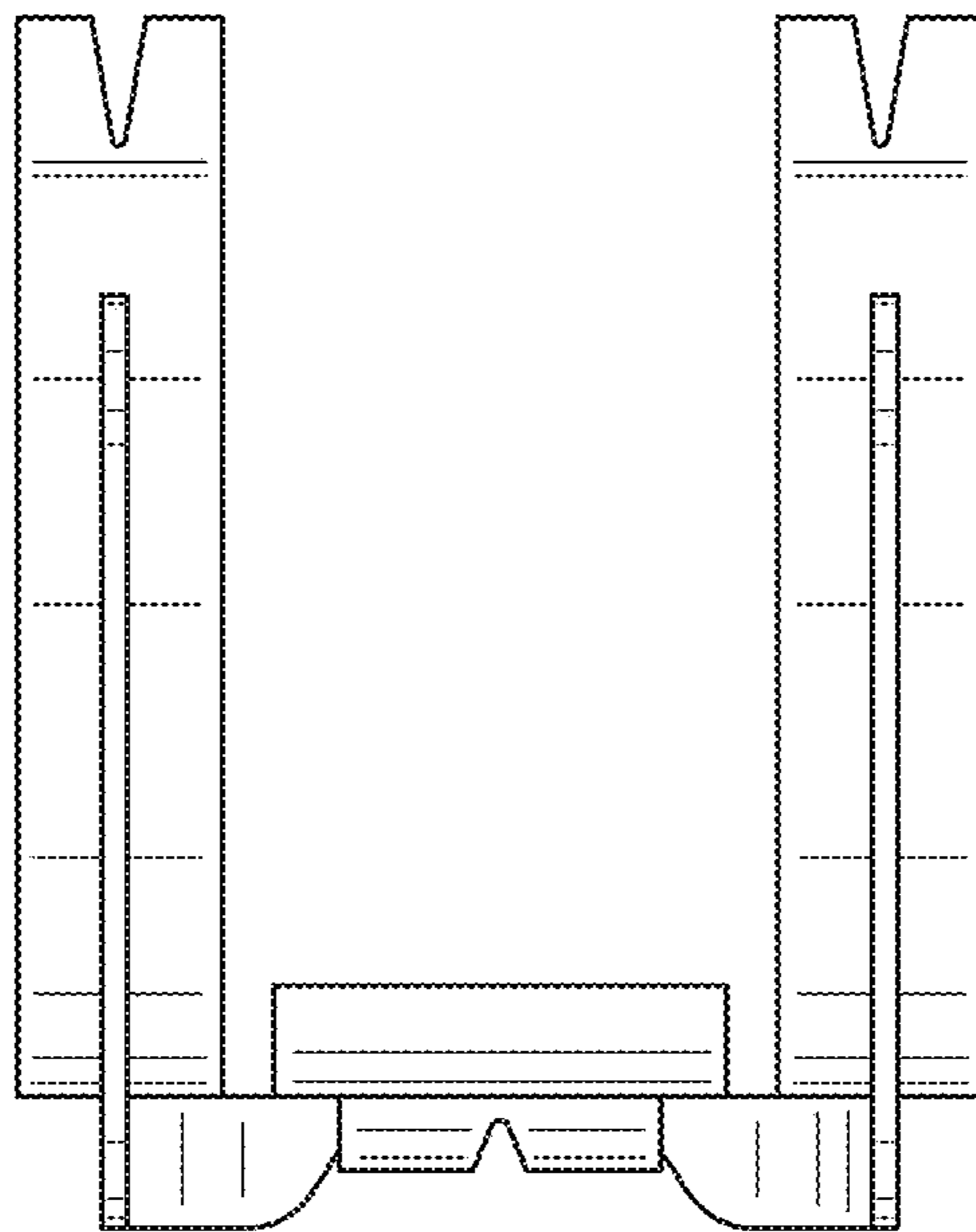


FIG. 5

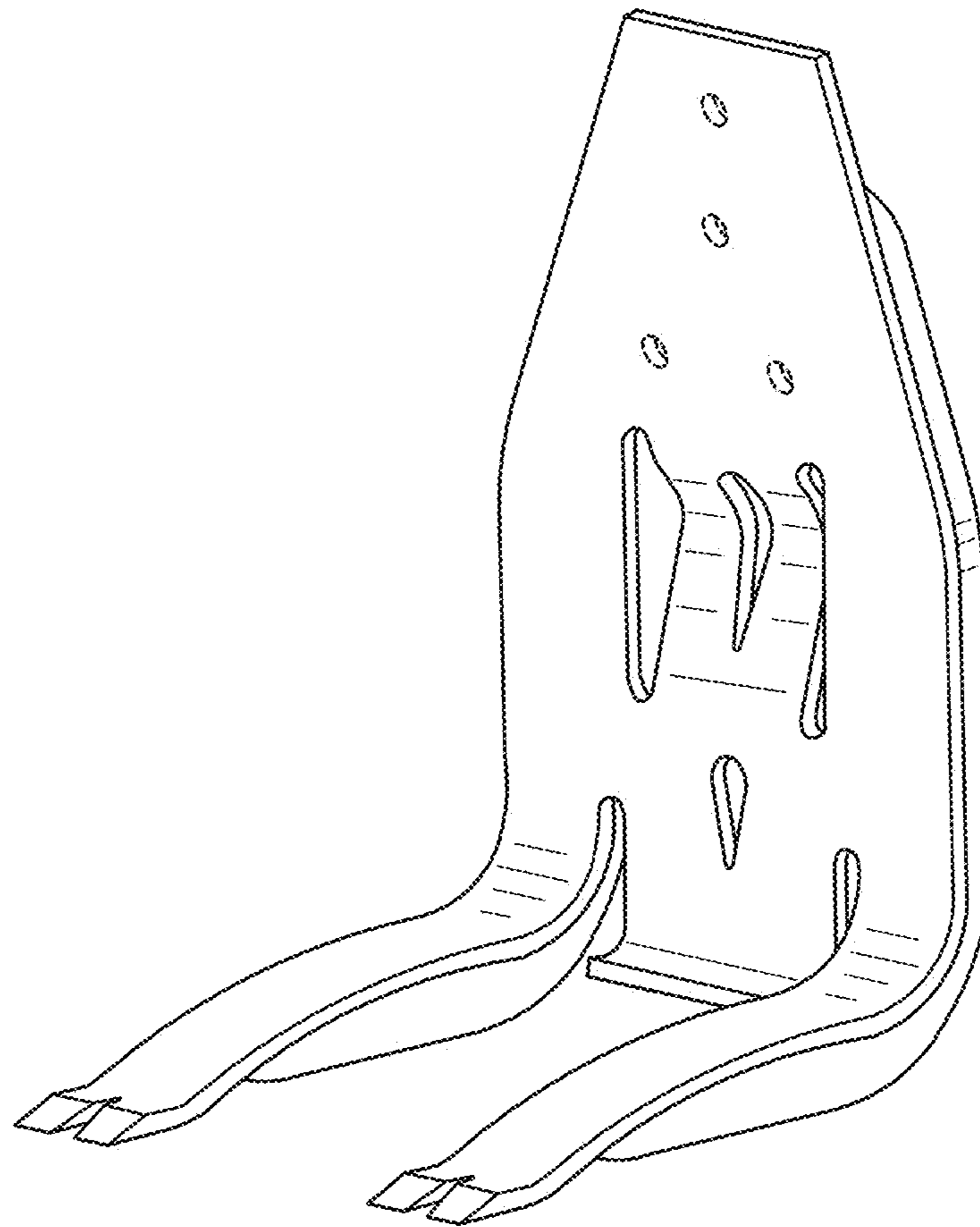


FIG. 6

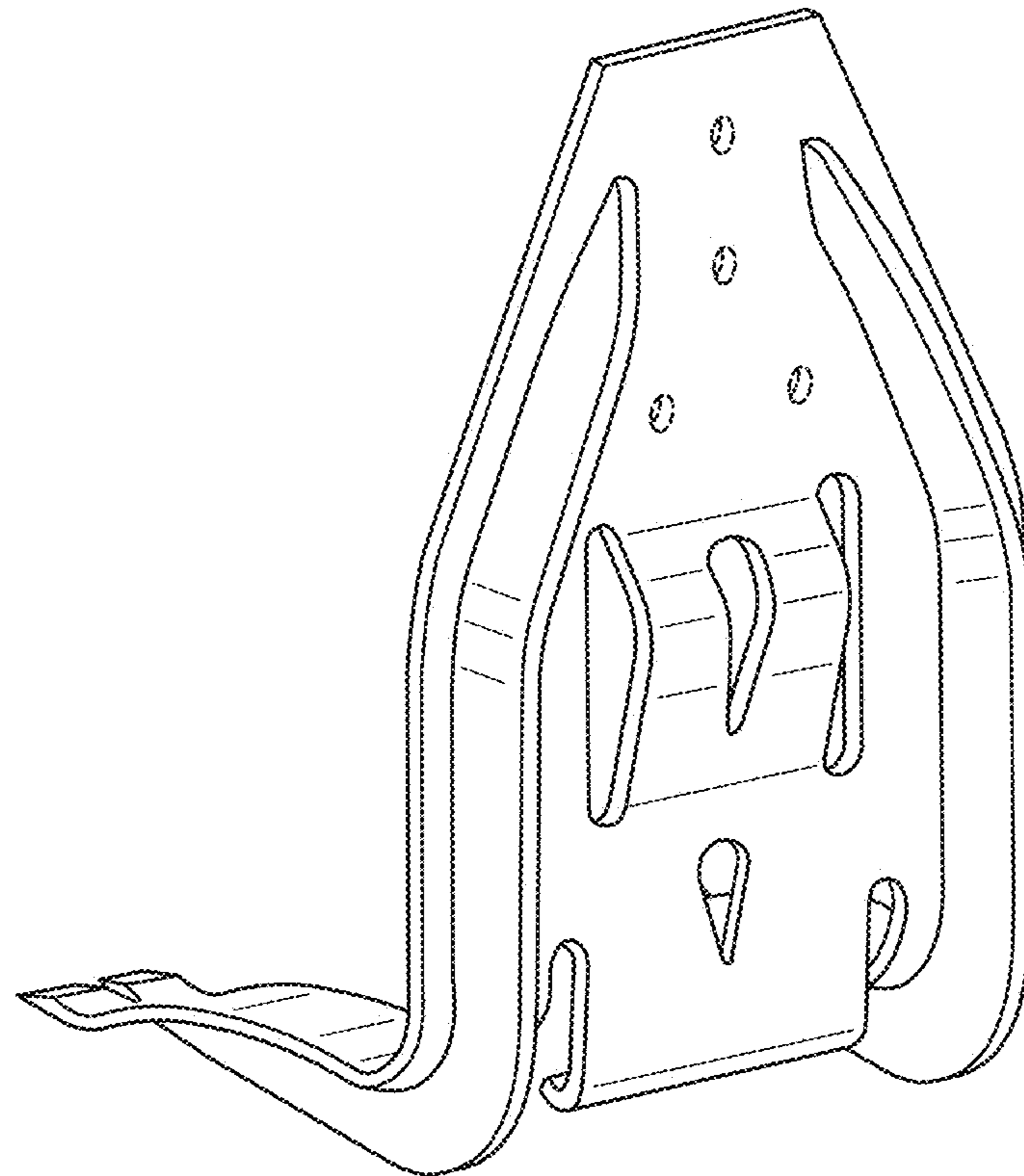


FIG. 7

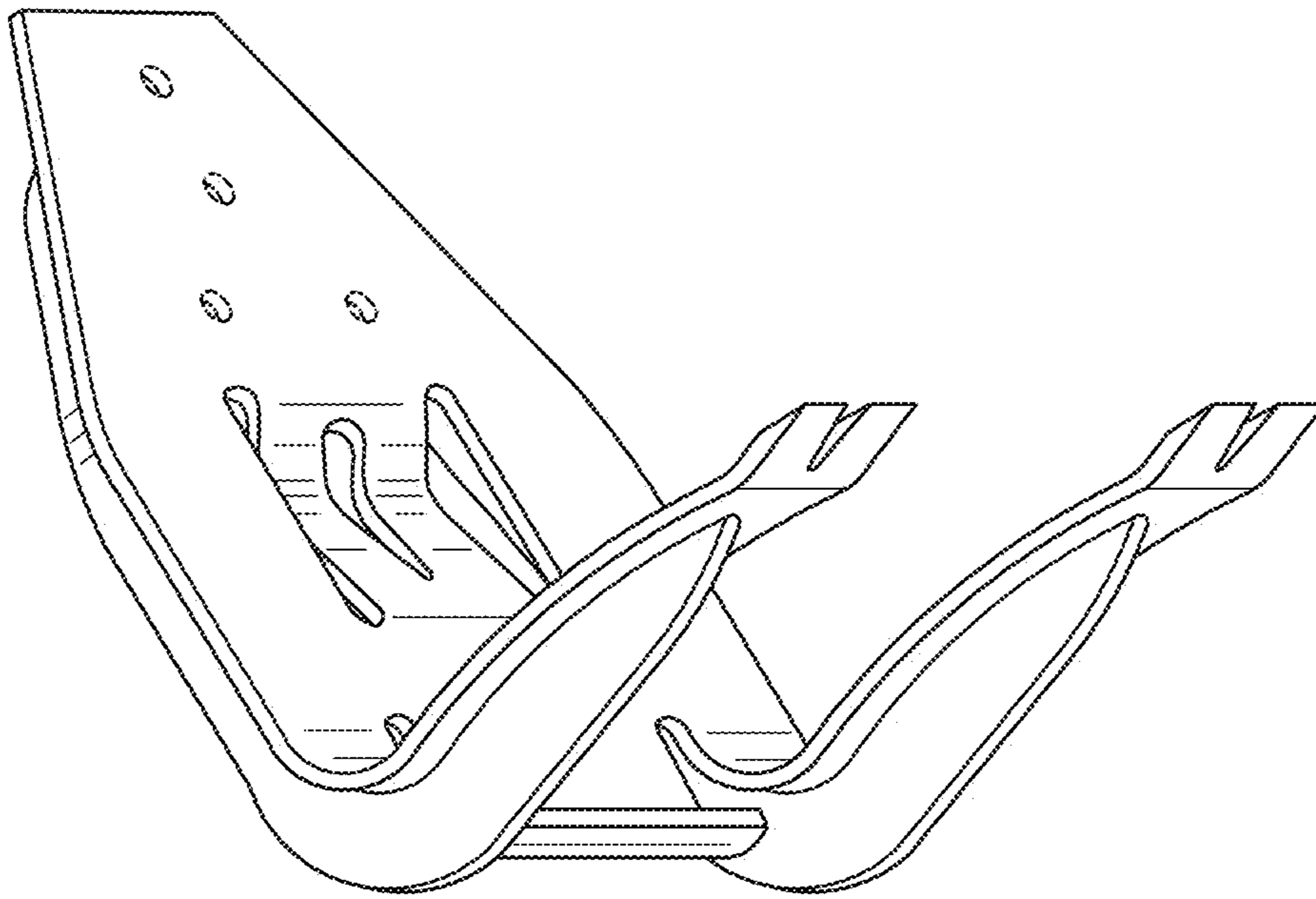


FIG. 8