



US00D940523S

(12) **United States Design Patent**
Nana

(10) **Patent No.:** **US D940,523 S**
(45) **Date of Patent:** **** Jan. 11, 2022**

- (54) **UNIVERSAL DESKTOP CLIP**
- (71) Applicant: **Shenzhen Estart Technology Co., Ltd,**
Shenzhen (CN)
- (72) Inventor: **Shuai Nana,** Shenzhen (CN)
- (**) Term: **15 Years**
- (21) Appl. No.: **29/735,564**
- (22) Filed: **May 22, 2020**
- (51) **LOC (13) Cl.** **08-05**
- (52) **U.S. Cl.**
USPC **D8/73**
- (58) **Field of Classification Search**
USPC D8/71-74, 394-399, 59; 248/63, 72,
248/74.1, 689, 124.2; 81/487, 385, 386,
81/388-390; 269/3, 4, 6, 143, 165, 240,
269/243, 246-249, 254 R, 147-149;
29/256, 257, 276; 408/103, 104-109
CPC B25B 1/00; B25B 5/00
See application file for complete search history.

8,226,074 B1 *	7/2012	Hughey	B25B 5/006 269/155
D668,522 S *	10/2012	Henderson	D8/73
D719,000 S *	12/2014	Palmer	B62B 5/0083 D8/73
D730,708 S *	6/2015	Spector	D8/73
D733,267 S *	6/2015	McCarter	D23/265
D743,244 S *	11/2015	Anderson	D8/394
D749,926 S *	2/2016	Guirlinger	D8/74
D829,073 S *	9/2018	Starwood	D8/72
D832,671 S *	11/2018	Gangakhedkar	D8/72
D860,628 S *	9/2019	Hu	D3/10

* cited by examiner

Primary Examiner — David G Muller

(74) *Attorney, Agent, or Firm* — Rumit Ranjit Kanakia

(57) **CLAIM**

I claim the ornamental design for a universal desktop clip,
as shown and described.

DESCRIPTION

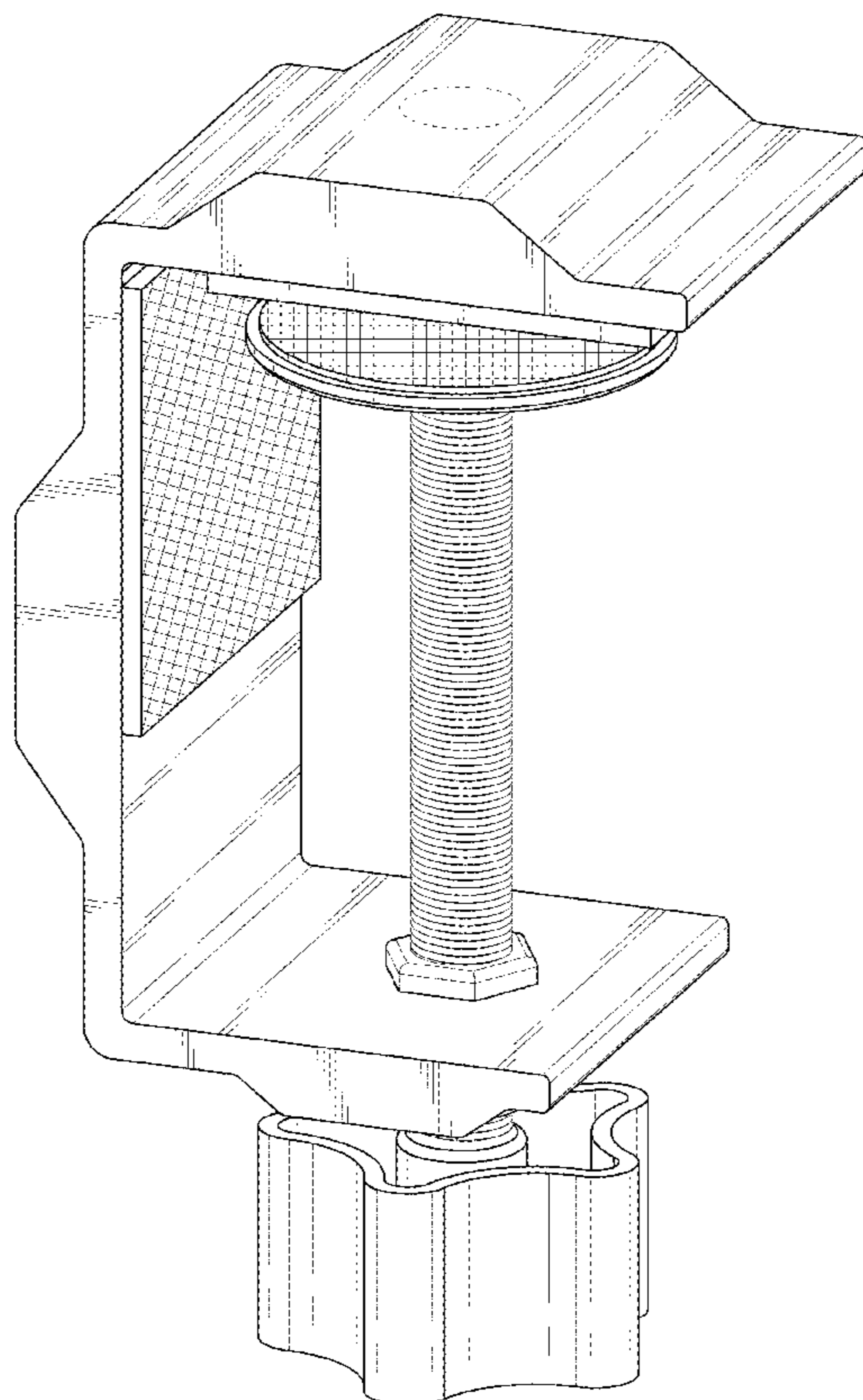
FIG. 1 is a Perspective view of a universal desktop clip showing my new design;
 FIG. 2 is a Front view thereof;
 FIG. 3 is a Back view thereof;
 FIG. 4 is a Right-side view thereof;
 FIG. 5 is a Left-side view thereof;
 FIG. 6 is a Top view thereof; and,
 FIG. 7 is a Bottom view thereof.
 The broken lines are only for environmental purposes and form no part of the claimed design.

1 Claim, 7 Drawing Sheets

(56) **References Cited**

U.S. PATENT DOCUMENTS

5,018,711 A *	5/1991	Johnson	B25B 5/067 269/249
D443,493 S *	6/2001	Skeem	D8/72
6,363,595 B1 *	4/2002	Roy	B25B 5/003 29/257



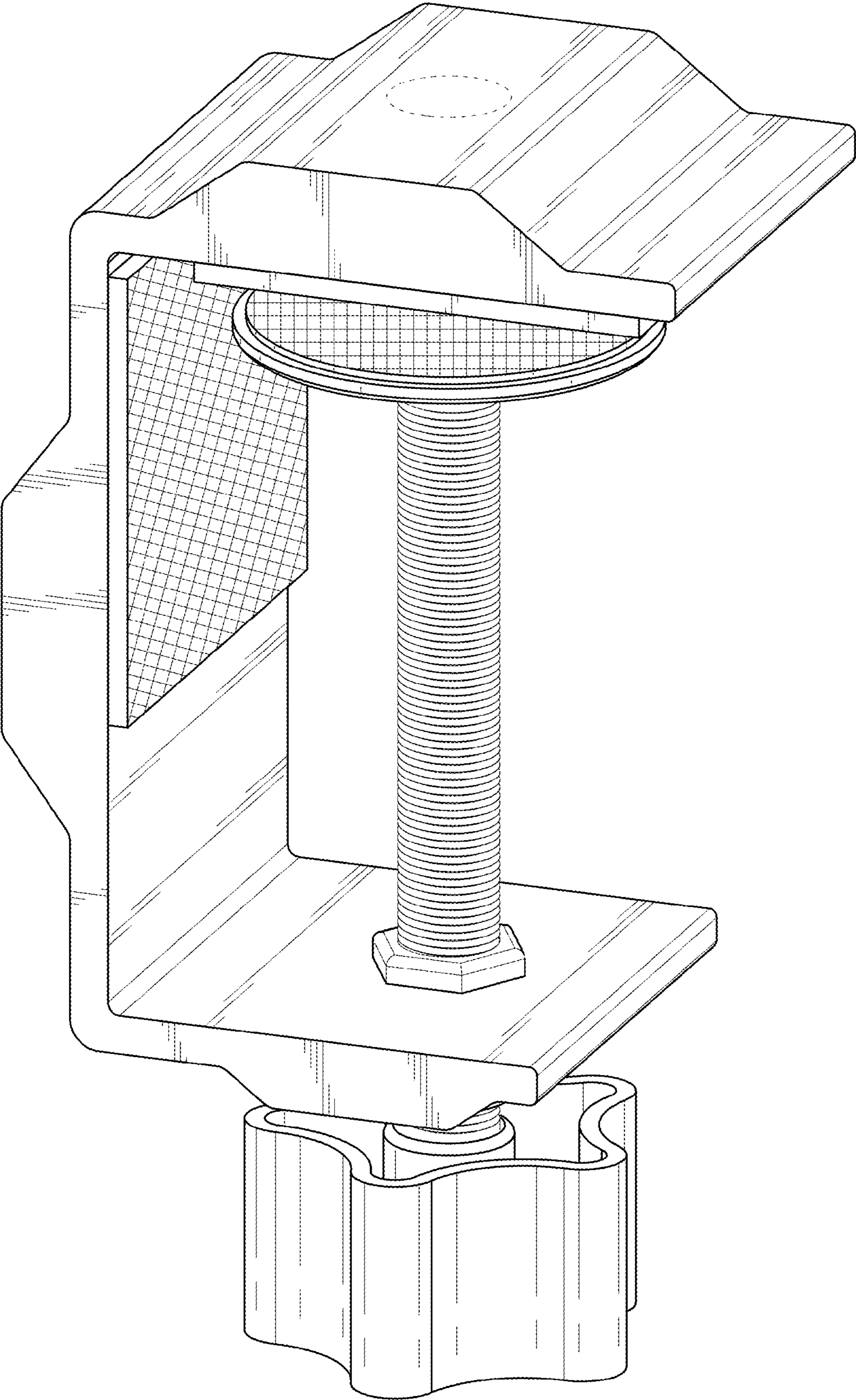


FIG. 1

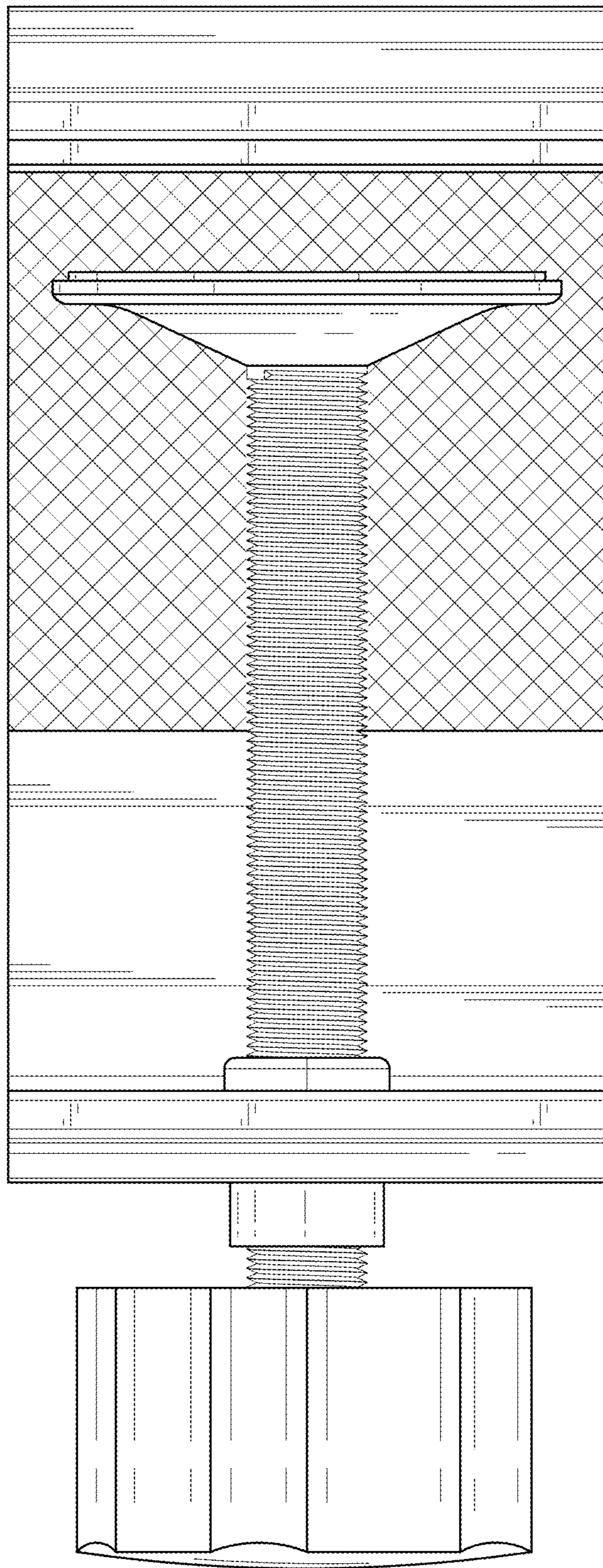


FIG. 2

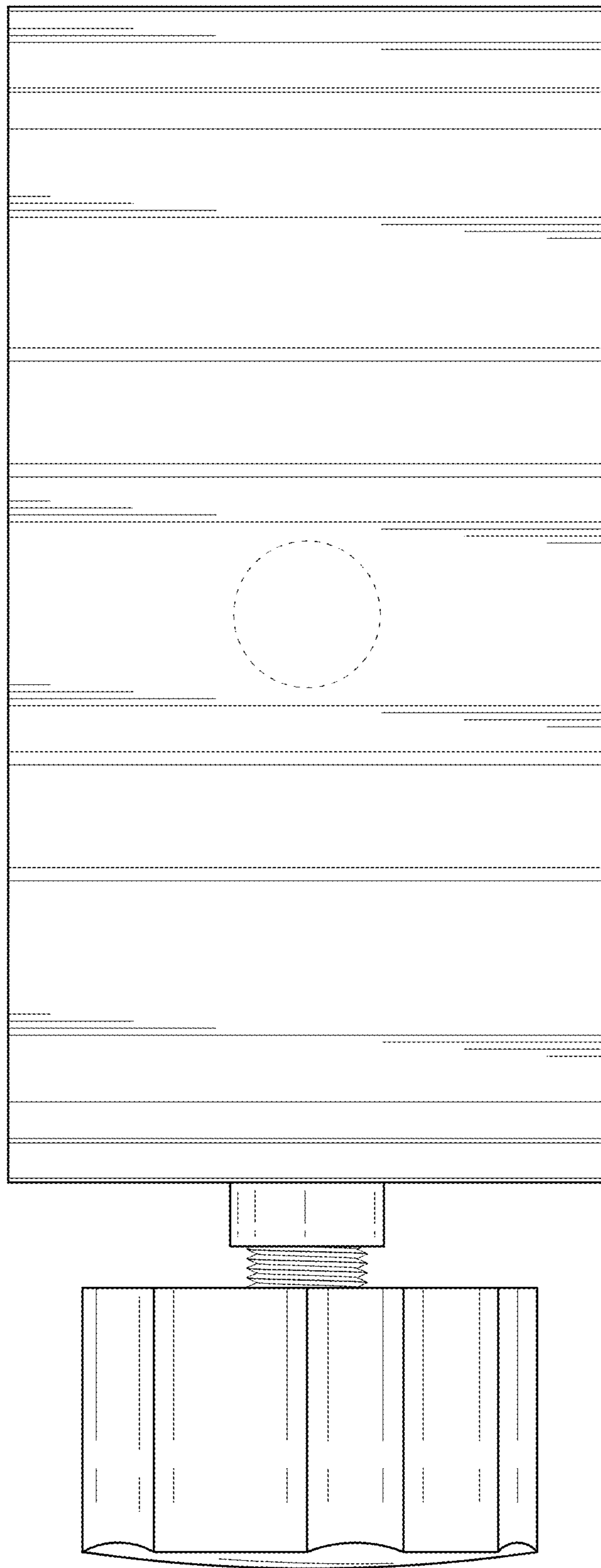


FIG. 3

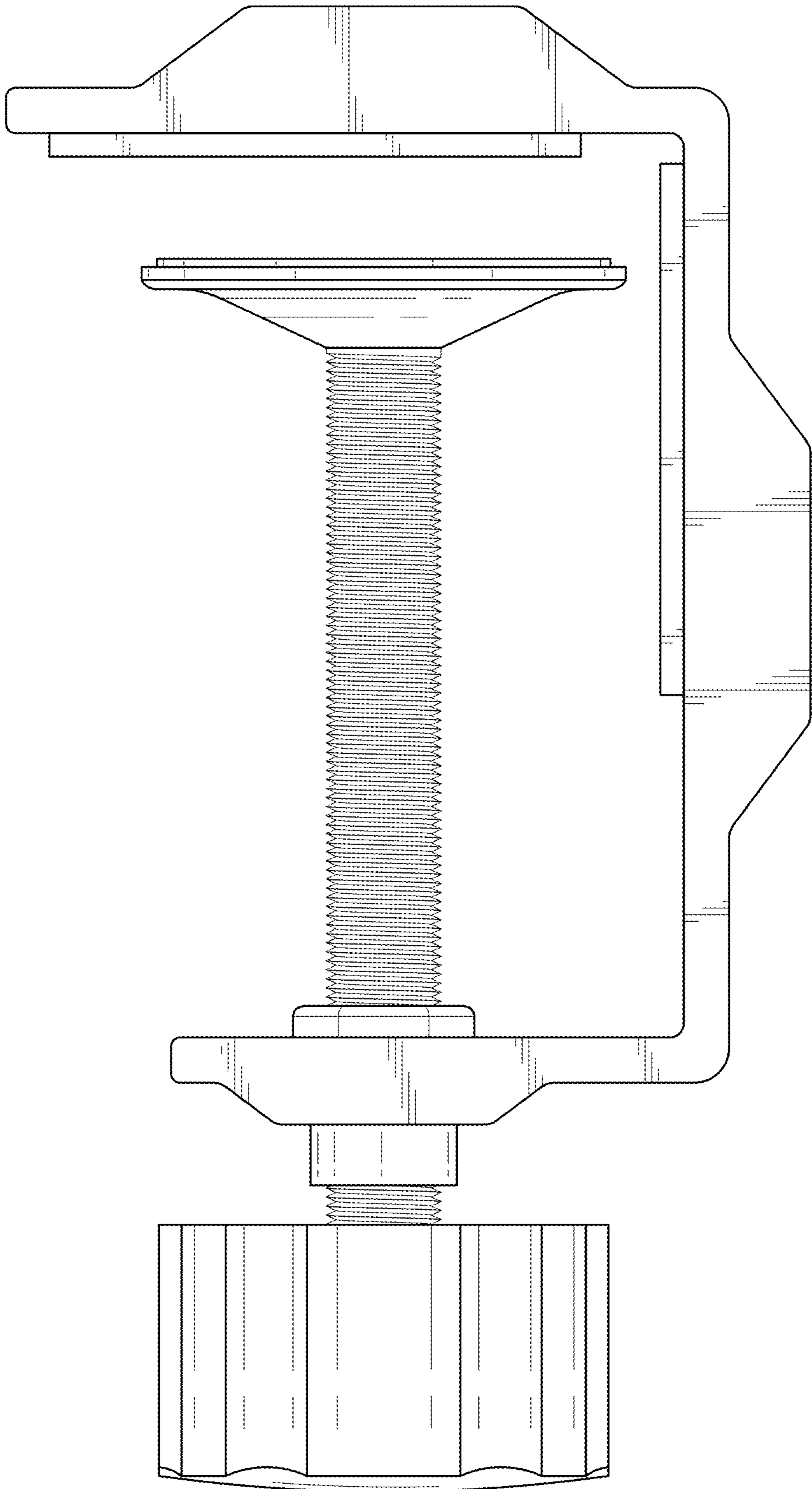


FIG. 4

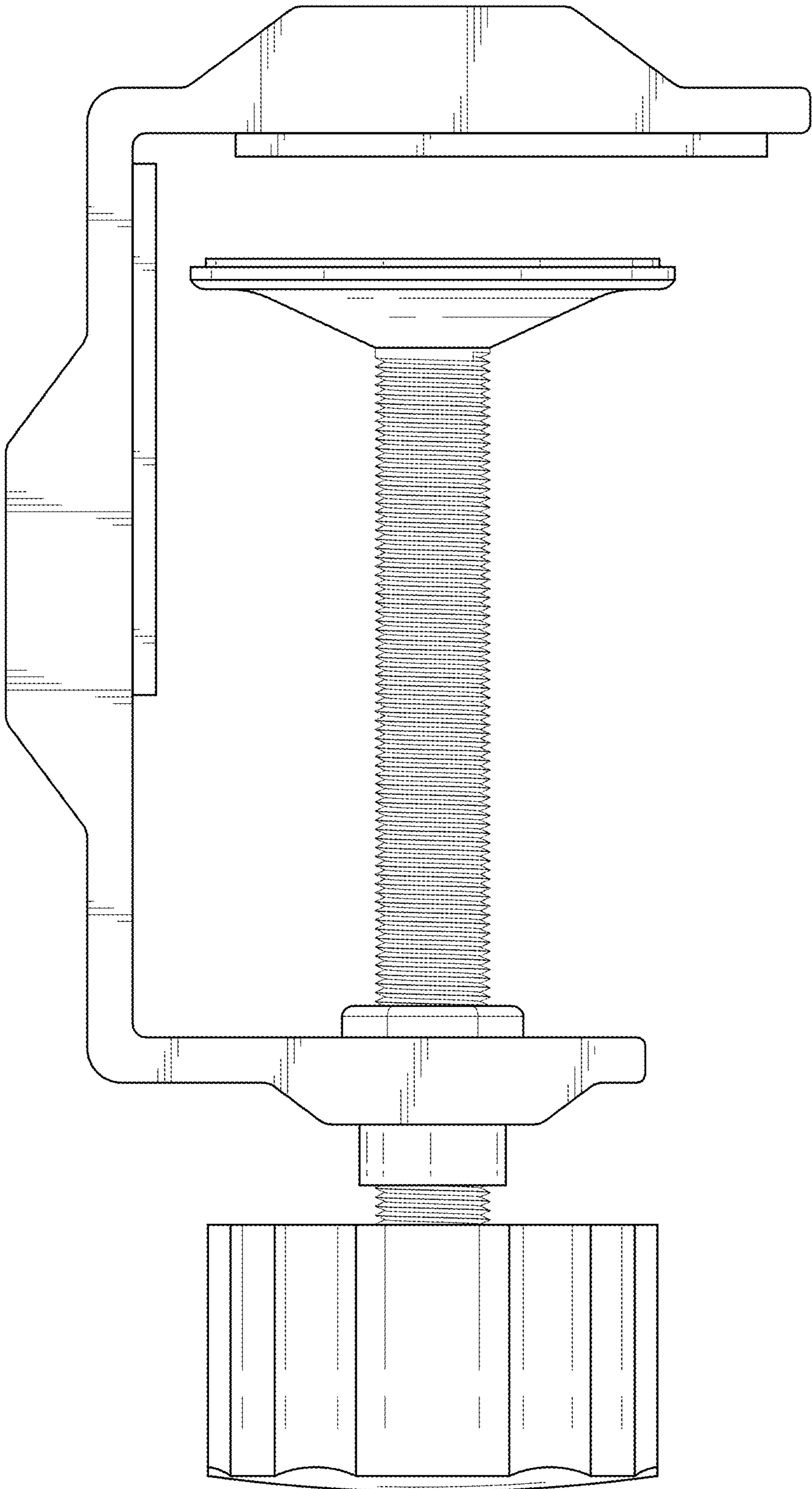


FIG. 5

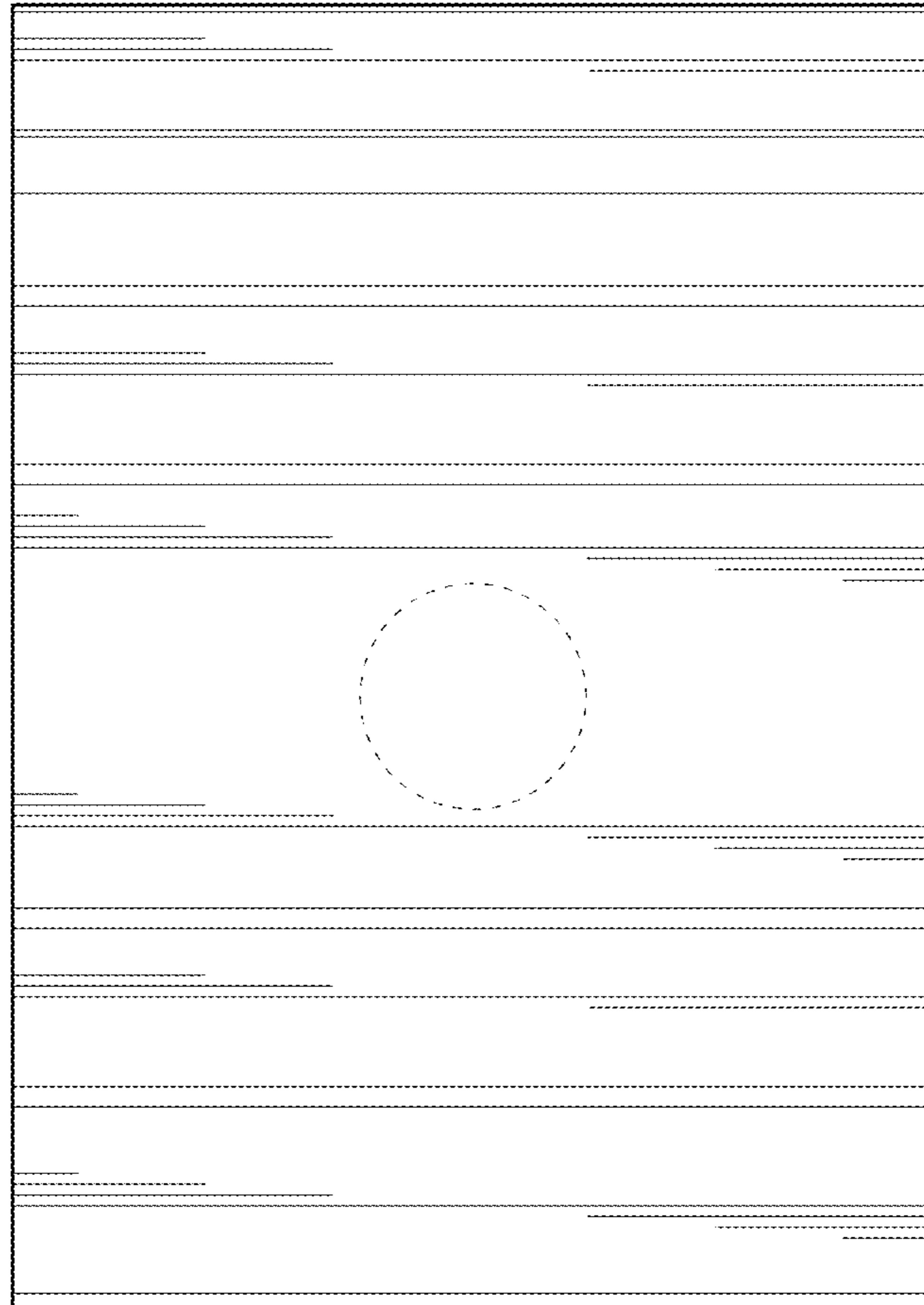


FIG. 6

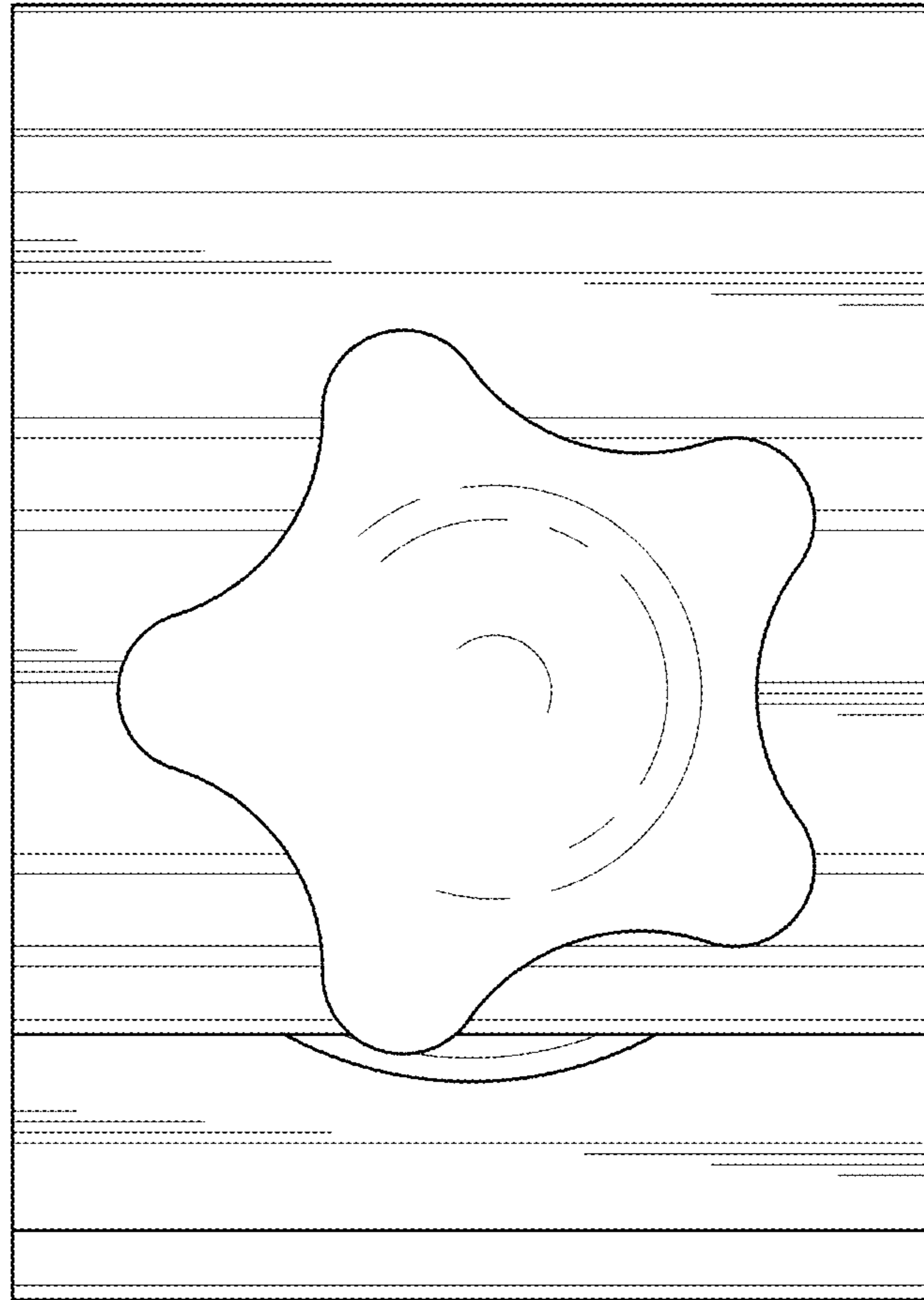


FIG. 7