



US00D940522S

(12) **United States Design Patent**  
**Uhrlau**

(10) **Patent No.:** **US D940,522 S**  
(45) **Date of Patent:** **\*\* \*Jan. 11, 2022**

- (54) **CHAINSAW GUIDE BAR**
- (71) Applicant: **Andreas Stihl AG & Co. KG**,  
Waiblingen (DE)
- (72) Inventor: **Christopher Uhrlau**, Münster (DE)
- (73) Assignee: **ANDREAS STIHL AG & CO. KG**,  
Waiblingen (DE)
- (\*) Notice: This patent is subject to a terminal disclaimer.
- (\*\*) Term: **15 Years**
- (21) Appl. No.: **29/725,305**
- (22) Filed: **Feb. 24, 2020**
- (30) **Foreign Application Priority Data**

- 3,744,363 A \* 7/1973 Espana ..... B27B 17/025  
30/383
- 3,949,475 A \* 4/1976 Tokarz ..... B27B 17/02  
30/387
- 4,138,813 A \* 2/1979 Harada ..... B27B 17/025  
30/387
- 4,563,817 A \* 1/1986 Leighton ..... B27B 17/02  
30/386
- 4,819,332 A \* 4/1989 Sugihara ..... B27B 17/02  
30/123.4
- 5,014,435 A \* 5/1991 Date ..... B27B 17/025  
30/383
- 5,025,561 A \* 6/1991 Sugihara ..... B27B 17/025  
30/383
- 5,035,058 A \* 7/1991 Date ..... B27B 17/025  
30/387
- 5,050,303 A \* 9/1991 Sinclair ..... B27B 17/12  
30/123.4
- 5,842,279 A \* 12/1998 Andress ..... B27B 17/025  
30/387
- 6,138,339 A \* 10/2000 Escher ..... B27B 17/025  
29/418

- Aug. 26, 2019 (EM) ..... 006768677
- (51) **LOC (13) Cl.** ..... **08-03**
- (52) **U.S. Cl.**  
USPC ..... **D8/65; D8/70**
- (58) **Field of Classification Search**  
USPC ..... D8/16, 19, 20, 64, 65, 70, 71, 354;  
D15/138, 133  
CPC ..... B27B 17/025; B27B 17/00; B27B 17/02;  
B27B 17/04; A01G 3/00; B25F 5/02;  
Y10T 83/8878  
See application file for complete search history.

(Continued)

*Primary Examiner* — Holly E Thurman  
*Assistant Examiner* — Ieisha N Price  
(74) *Attorney, Agent, or Firm* — McGuireWoods LLP

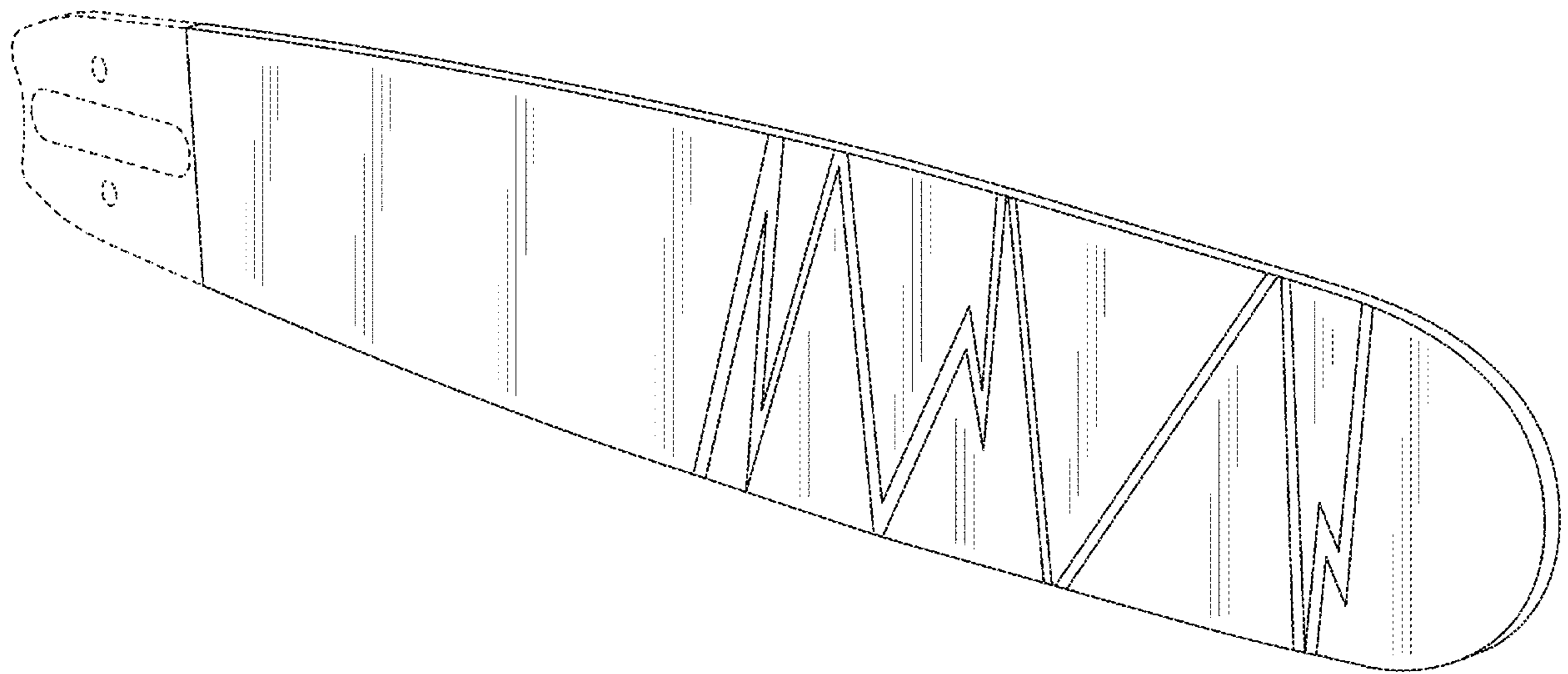
- (56) **References Cited**  
U.S. PATENT DOCUMENTS  
2,962,061 A \* 11/1960 Nielsen ..... B27B 17/12  
30/123.4  
2,962,812 A \* 12/1960 Gommel ..... B27B 17/025  
29/463  
3,119,418 A \* 1/1964 Rayniak ..... B23K 1/0008  
30/387

(57) **CLAIM**  
I claim the ornamental design for a chainsaw guide bar, as shown and described.

**DESCRIPTION**

FIG. 1 is a left top perspective view of the chainsaw guide bar showing my new design;  
FIG. 2 is a left view of the chainsaw guide bar shown in FIG. 1; and,  
FIG. 3 is a right view of the chainsaw guide bar shown in FIG. 1.  
The broken lines rendered in the drawings illustrates the environment of the claimed design and forms no part thereof.

**1 Claim, 3 Drawing Sheets**



(56)

**References Cited**

U.S. PATENT DOCUMENTS

6,237,228	B1 *	5/2001	Moody	.....	B27B 17/14
					30/381
D635,000	S *	3/2011	Fehr	.....	D8/70
D678,743	S	3/2013	Tinius		
D717,149	S	11/2014	Tinius		
D740,096	S *	10/2015	Schamberg	.....	8/65
D771,463	S *	11/2016	Nakai	.....	D8/65
D839,705	S *	2/2019	Nelson	.....	D8/65
D839,706	S *	2/2019	Nelson	.....	D8/65
D845,099	S *	4/2019	Nelson	.....	D8/65
D845,731	S *	4/2019	Nelson	.....	D8/65
2012/0176806	A1 *	7/2012	Baratta	.....	B27B 17/12
					362/382
2013/0031793	A1 *	2/2013	Baratta	.....	B27B 17/025
					30/387
2018/0036901	A1 *	2/2018	Tsumura	.....	B27B 17/025
2019/0118404	A1 *	4/2019	Sarius	.....	B27B 17/025
2019/0134844	A1 *	5/2019	Sarius	.....	B27B 17/025
2020/0238563	A1 *	7/2020	Korhonen	.....	B27B 17/02
2020/0307015	A1 *	10/2020	Liliegard	.....	B27B 17/02
2021/0023734	A1 *	1/2021	Lux	.....	B27B 17/025

\* cited by examiner

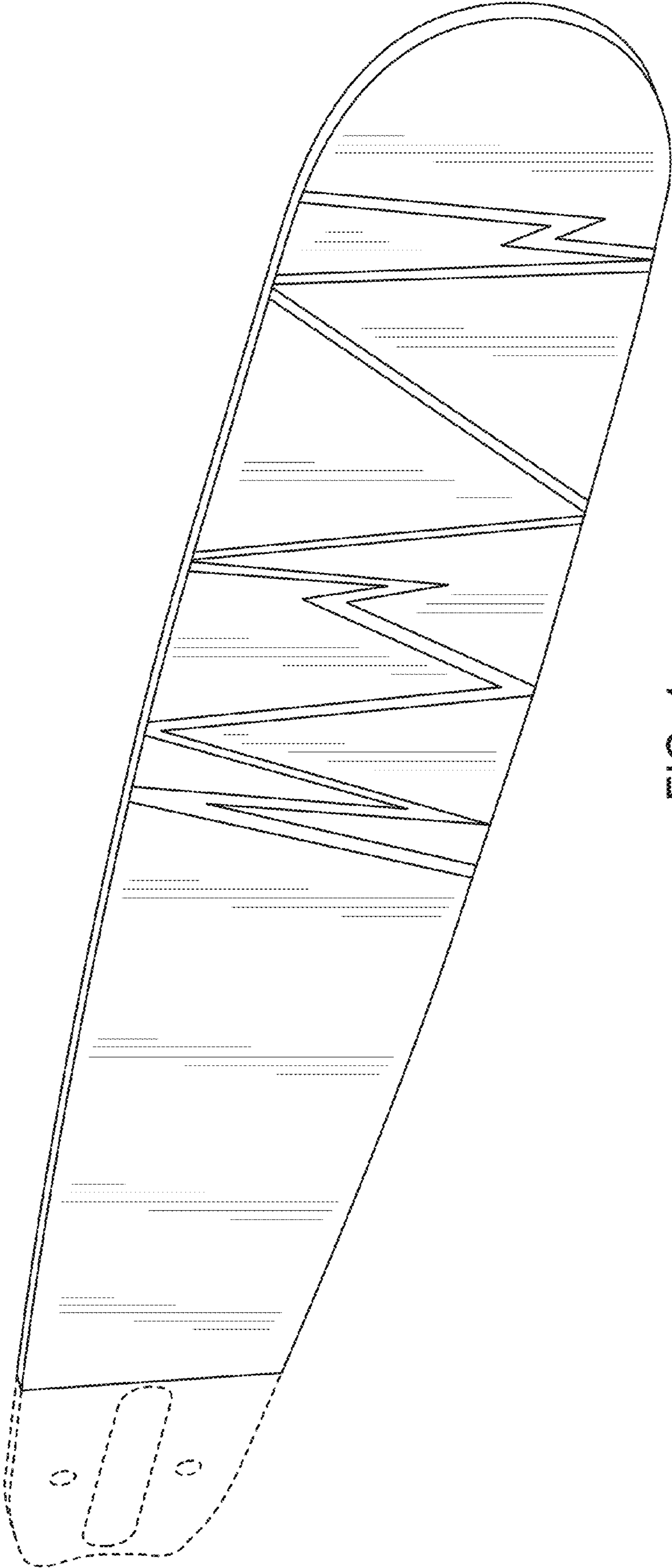


FIG. 1

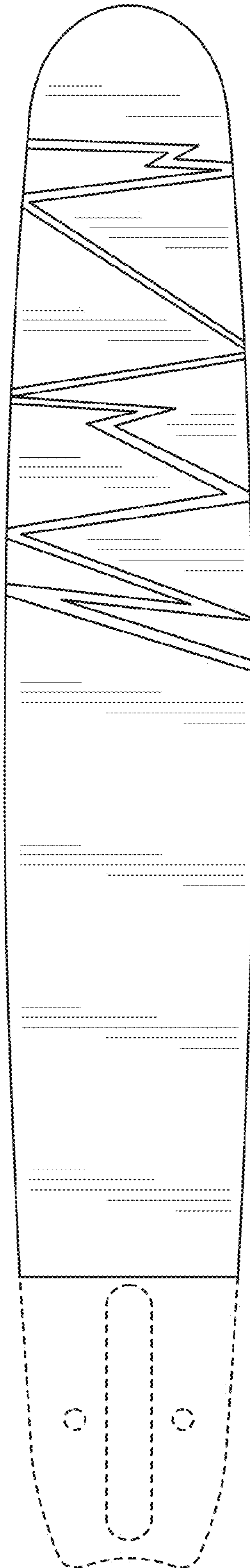


FIG. 2

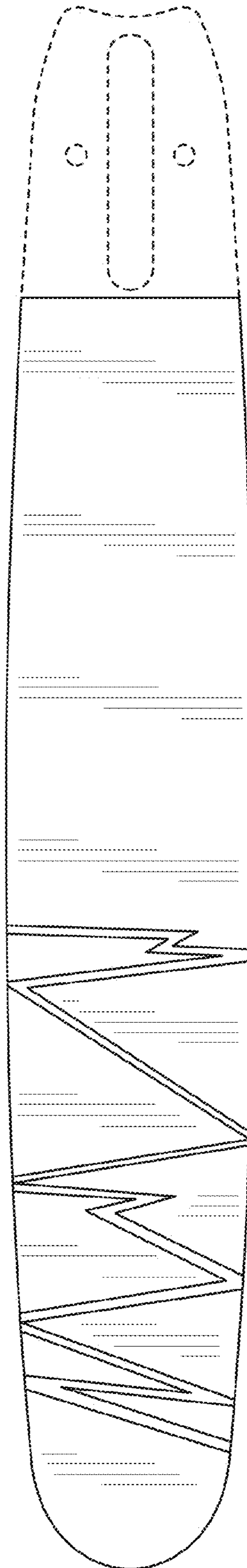


FIG. 3