



US00D940521S

(12) **United States Design Patent** (10) **Patent No.:** **US D940,521 S**
Cyborgski et al. (45) **Date of Patent:** **** Jan. 11, 2022**

(54) **RATCHET**
(71) Applicant: **Snap-on Incorporated**, Kenosha, WI (US)
(72) Inventors: **David A. Cyborgski**, Belvidere, IL (US); **Joshua M. Beer**, Mount Pleasant, WI (US)
(73) Assignee: **Snap-on Incorporated**, Kenosha, WI (US)
(**) Term: **15 Years**
(21) Appl. No.: **29/802,756**
(22) Filed: **Aug. 7, 2021**

Related U.S. Application Data

(63) Continuation of application No. 29/714,897, filed on Nov. 26, 2019.
(51) **LOC (13) Cl.** **08-05**
(52) **U.S. Cl.**
USPC **D8/25**; D8/61
(58) **Field of Classification Search**
USPC D8/21-29, 16, 19, 54-59, 61, 62, 83, 80, D8/94, 97, 107
CPC B25B 13/08; B25B 13/56; B25B 23/0035; B25B 13/065; B25B 13/465; B25B 13/463; B25B 13/14; B25B 13/06; B25B 13/04; B25B 13/46; B25B 7/02; B25B 13/48; B25B 13/16; B25B 13/505; B25B 13/5058; B25B 23/0007; B25B 13/28; B25B 23/147; B25B 13/02; B67B 7/00; B67B 7/18
See application file for complete search history.

(56) **References Cited**

U.S. PATENT DOCUMENTS

2,440,683	A	5/1948	Hattan	
D387,960	S	12/1997	Sung	
D435,204	S	12/2000	Izumisawa	
D465,395	S *	11/2002	Hung	D8/61
D468,607	S *	1/2003	Price	D8/61
D519,799	S *	5/2006	Izumisawa	D8/25
D525,502	S	7/2006	Chen	
D535,535	S *	1/2007	Baker	D8/25

D554,460 S 11/2007 Enriquez
(Continued)

FOREIGN PATENT DOCUMENTS

CN 302935240 * 5/2014
CN 304617654 * 10/2017
(Continued)

OTHER PUBLICATIONS

ACDelco Tool Store, Ratchet Wrench, Date first available Jul. 14, 2020, [online]retrieved Sep. 8, 2021, available from https://www.amazon.com/ACDelco-Cordless-Ratchet-2-Battery-ARW1209-K92/dp/B08CQJ366S/ref=sxin_12_pa_sp_search_thematic_sspa?cv_ct_cx=air+wrench&dchild=1&keywords=air+wrench&pd_rd_i=B08C (Year: 2020).*

(Continued)

Primary Examiner — Keli L Hill
Assistant Examiner — Sara S Sahneh
(74) *Attorney, Agent, or Firm* — Seyfarth Shaw LLP

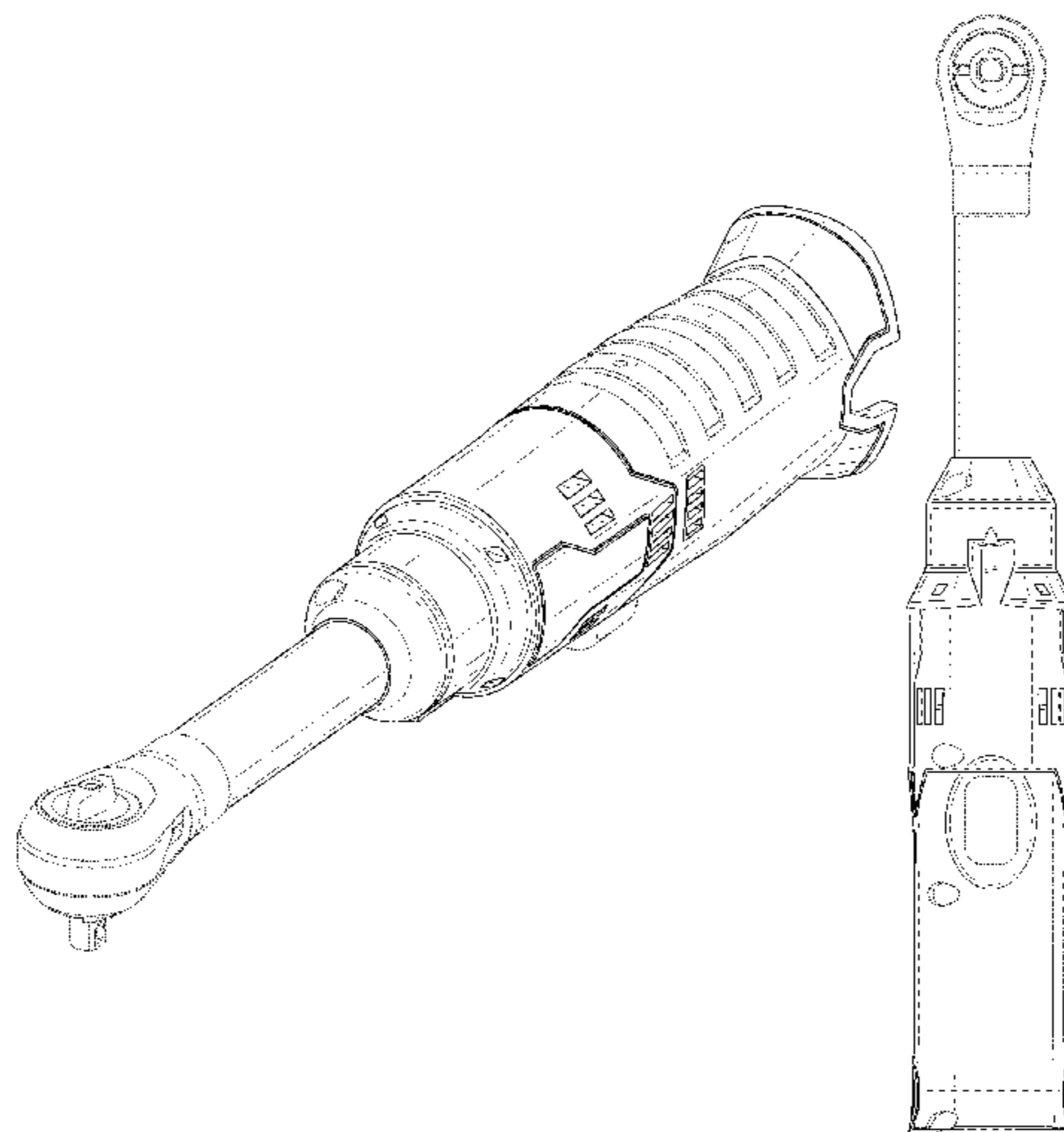
(57) **CLAIM**

The ornamental design for a ratchet, as shown and described.

DESCRIPTION

FIG. 1 is a perspective view of a ratchet, showing the new design;
FIG. 2 is a top end plan view thereof;
FIG. 3 is a bottom end plan view thereof;
FIG. 4 is a first side elevation view thereof;
FIG. 5 is a second side elevation view thereof;
FIG. 6 is a rear side elevation view thereof; and,
FIG. 7 is a fourth front side elevation view thereof.
The broken lines shown are included for the purpose of illustrating portions of the ratchet that form no part of the claim.

1 Claim, 4 Drawing Sheets



(56)

References Cited

U.S. PATENT DOCUMENTS

D578,852	S	*	10/2008	Enriquez	D8/61
D833,841	S	*	11/2018	Tsai	D8/24
D873,638	S	*	1/2020	Beckwith	D8/24
D889,223	S		7/2020	Liu	
D906,070	S	*	12/2020	Carter	D8/25
D929,829	S	*	9/2021	James	D8/25
D929,830	S	*	9/2021	James	D8/25
2006/0027048	A1		2/2006	Chen	
2007/0084310	A1		4/2007	Kobayashi	
2014/0338503	A1		11/2014	Beer	
2014/0338504	A1		11/2014	Beer	
2018/0001446	A1		1/2018	Elsmark	
2020/0023507	A1		1/2020	Schiltz	
2020/0061782	A1*		2/2020	Banholzer	B25B 21/004
2020/0139524	A1*		5/2020	King	B25B 23/0035
2020/0215666	A1		7/2020	Schultz	
2020/0230787	A1*		7/2020	Zhao	B25B 13/462

FOREIGN PATENT DOCUMENTS

CN	304575934	*	11/2017
CN	305384324	*	4/2019
CN	305230323		6/2019
CN	305632907		3/2020
CN	305704003		4/2020
CN	305713219		4/2020
EP	006564670-0001		6/2019
GB	6107547	*	11/2020
KR	301107788.0000	*	4/2021

OTHER PUBLICATIONS

S-LONG Store, Cordless Ratchet Wrench, Date first available Jul. 8, 2019, [online]retrieved Sep. 8, 2021, available from https://www.amazon.com/dp/B08GXDW7YX/ref=sspa_dk_detail_0?psc=1&pd_rd_i=B08GXDW7YX&pd_rd_w=MdyVB&pf_rd_p=5d846283-ed3e-4512-a744-a30f97c5d738&pd_rd_wg=j25zE&pf_rd_r=K76

(Year: 2019).*

Prostormer Store, Cordless Electric Ratchet Wrench Set, Date first available Sep. 28, 2020, [online]retrieved Sep. 8, 2021, available from https://www.amazon.com/PROSTORMER-Cordless-Electric-Combination-Organizer/dp/B08K8V8961/ref=pd_di_sccai_42/133-9953152-3452307?pd_rd_w=vJezA&pf_rd_p=c9443270-b914-

(Year: 2020).*

Aircat Store, ACR802R 3/8-Inch Ratchet, Large, Date first available Oct. 10, 2006, [online] retrieved Dec. 15, 2020, available from internet, https://www.amazon.com/Aircat-ACR802R-8-Inch-Ratchet-Large/dp/B000OAHYKA/ref=sr_1_1sspa?dchild=1&keywords=air (Year: 2006).

Milwaukee, 2457-20 M12 Cordless 3/8" Sub-Compact 35 ft-Lbs 250 RPM Ratchet, Date first available Oct. 6, 2011, [online] retrieved Dec. 15, 2020, available form internet, https://www.amazon.com/Milwaukee-2457-20-Cordless-Sub-Compact-Variable/dp/B006CSRBTC/ref=psdc_9022387011_t3_B000OAHYKA (Year: 2011).

AirCAT Store, 807 3/8" Mini Palm Ratchet 35 ft-lb 350 RPM, Date first available Dec. 14, 2016, [online] retrieved Dec. 15, 2020, available from internet, https://www.amazon.com/AIRCAT-807-Composite-RATCHET-Small/dp/B01N2TUGYJ/ref=pd_di_sccai_13?_encoding=UTF8&pdf_rd_i=B (Year: 2016).

Astro Pneumatic Tool Store, 1119A Onyx 3/8" Drive Mini Wobble Air Ratchet, Date first available Aug. 28, 2017, [online] retrieved Dec. 15, 2020, available from internet, https://www.amazon.com/Astro-Pneumatic-Tool-1119A-Ratchet/dp/B01JBOZTQU/ref=sr_1_32_ssapa?dchild=1 (Year: 2017).

* cited by examiner

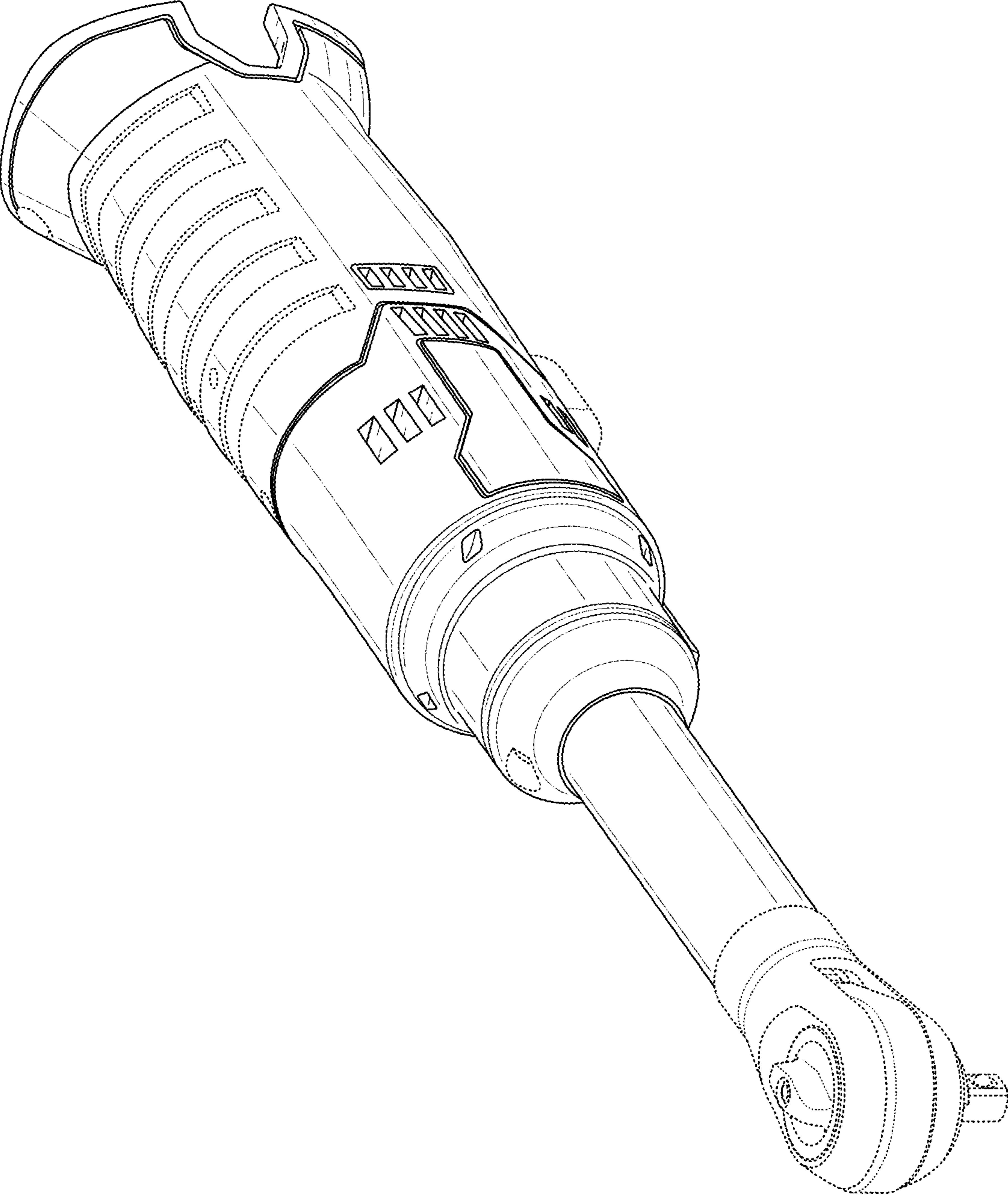


FIG. 1

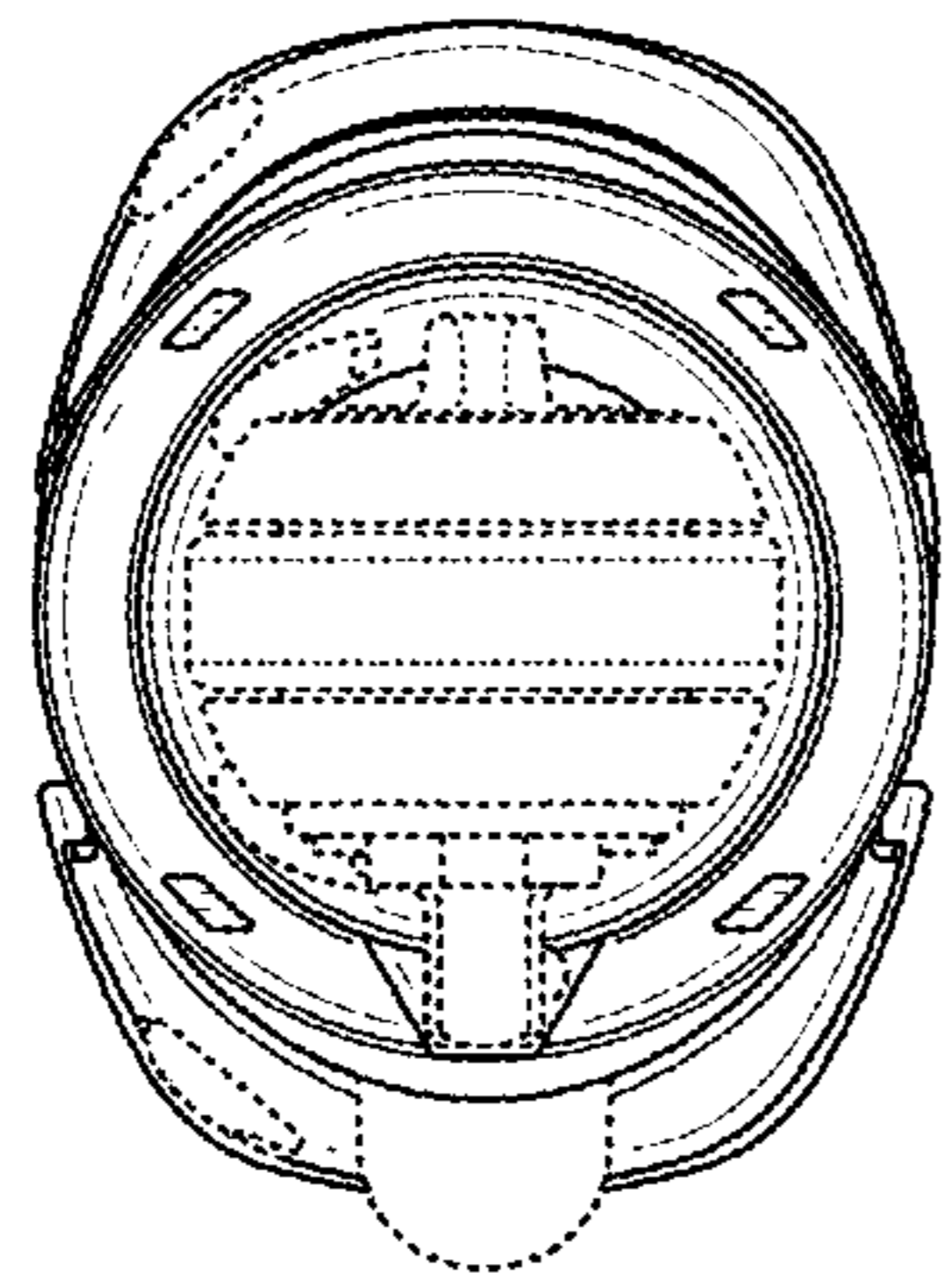


FIG. 2

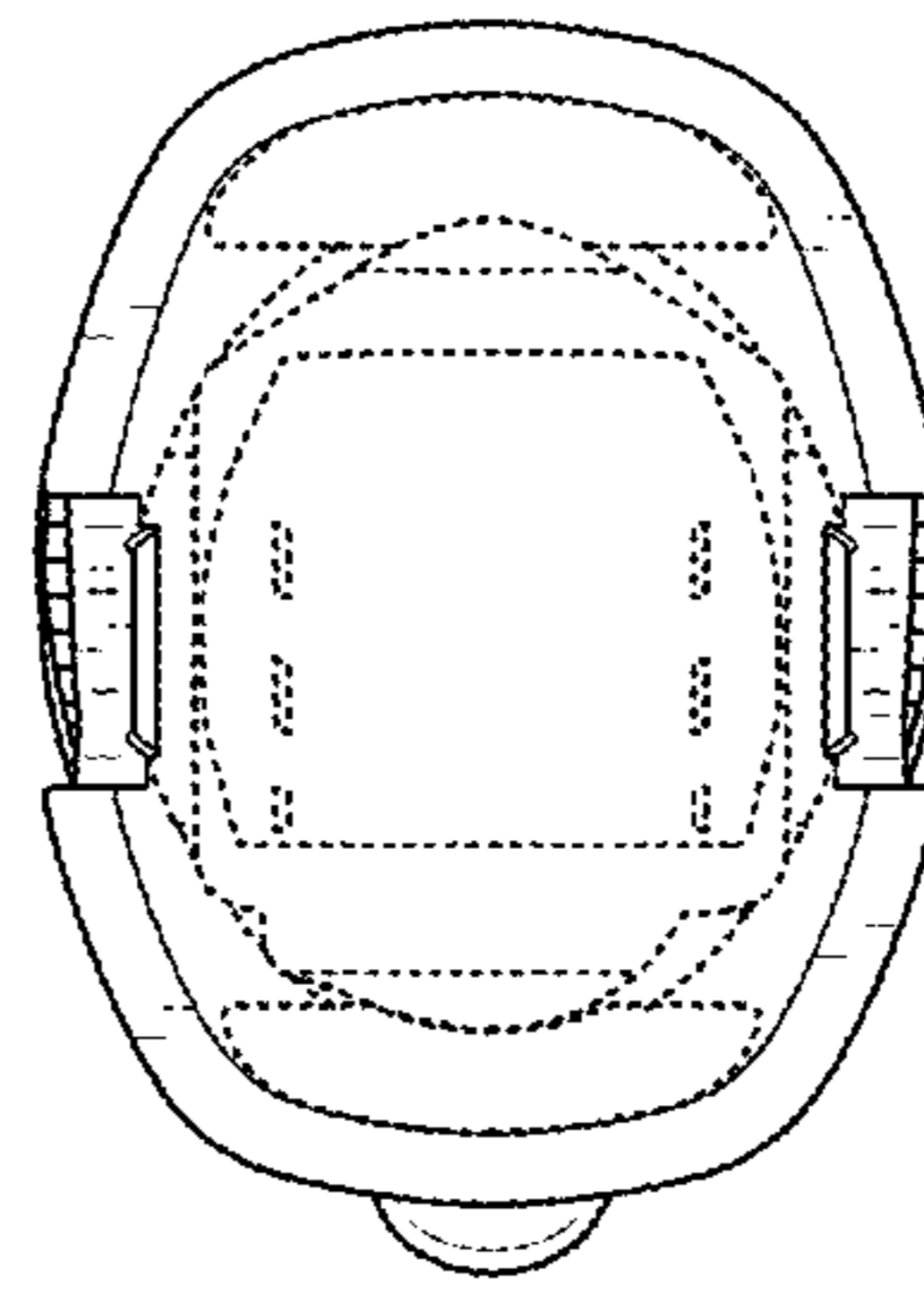


FIG. 3

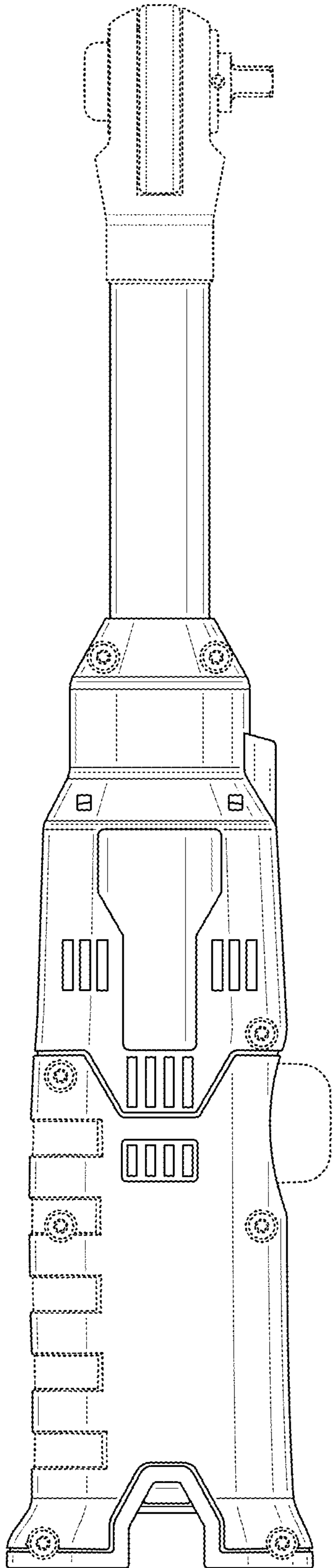


FIG. 4

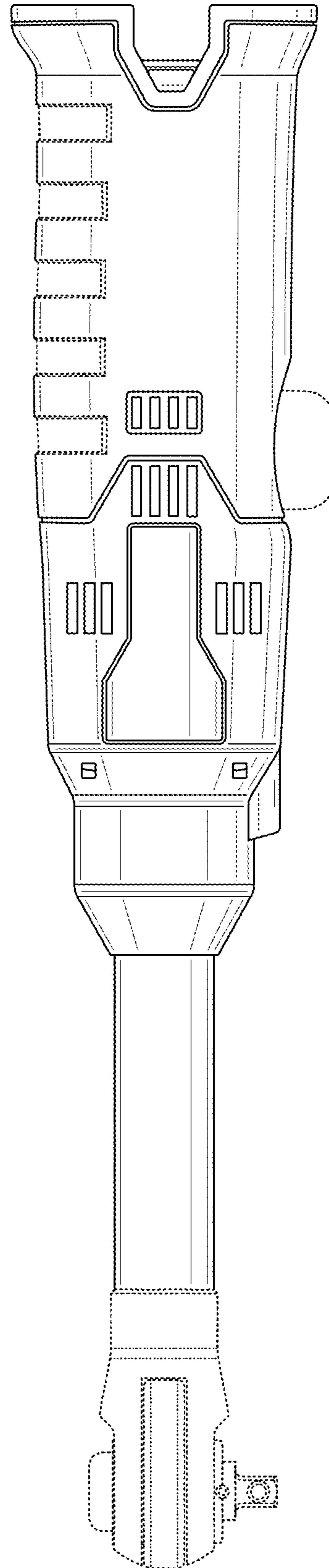


FIG. 5

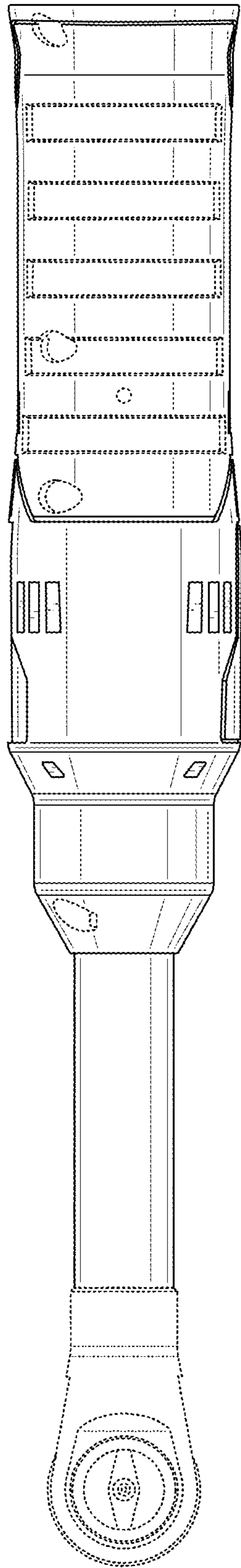


FIG. 6

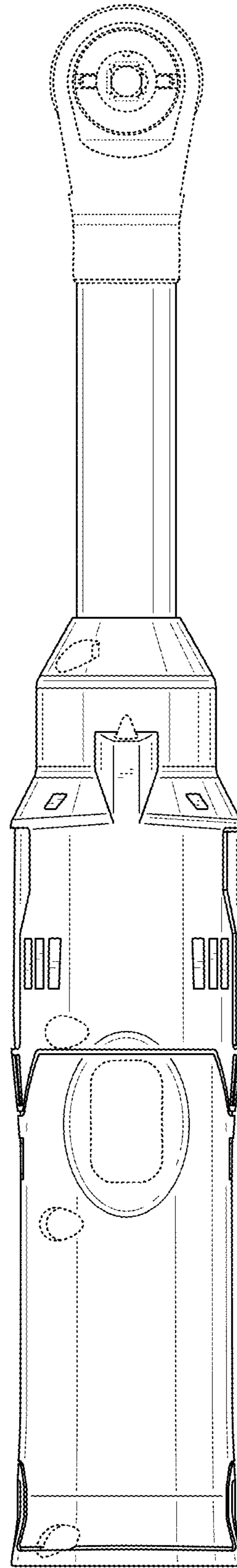


FIG. 7